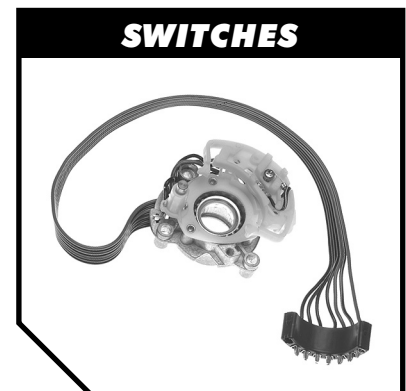




# Electrical Restoration Products

**GTO**  
**Le Mans/Tempest**



**Phone 562.926.9552**  
**Fax 562.926.9572**  
**sparky@wiringharness.com**

**[www.wiringharness.com](http://www.wiringharness.com)**

Part #GTO

## **Buy with Confidence !**

### **Made in the U.S.A.**

All of our harnesses are hand assembled in the U.S.A.

### **Correct Color Wires**

Our harnesses always match the original factory color codes and gauge sizes. We use U.S.A. made Cross Linked Polyethylene type GXL wire which is much more tolerant to heat than the original PVC type GPT wire that was used from the factory.

### **Dip Soldered (when applicable)**

All terminals are dip soldered (when applicable) to limit resistance loss.

### **Correct Connectors & Terminals**

With over 300,000 connectors and terminals in stock you can be sure the harness you receive will look identical to the original.

### **Correct Non-Adhesive & Cloth Tapes**

All harnesses are wrapped with the correct non-adhesive or cloth woven tapes to assure a 100% factory appearance.

### **Technical Support**

We don't expect our customers to be "wiring-wizards", you can call us direct with any technical questions you may have.

### **Custom Modifications**

Custom modifications are available to allow you to convert from an external regulated alternator to an internal regulated alternator. This modification is available for most '63 and up GM cars and trucks. We can also convert many of our engine harnesses to work with H.E.I. distributors and electric chokes. Our modifications retain the factory appearance. Call our Customer Service Department for more details.

### **Reproduction Switches**

We manufacture an extensive line of reproduction switches. These include Turn Signal, Backup Light, Neutral Safety, Wiper, Headlight Switches and others. As with all of our restoration products our switches will fit and function perfectly, just like the originals.

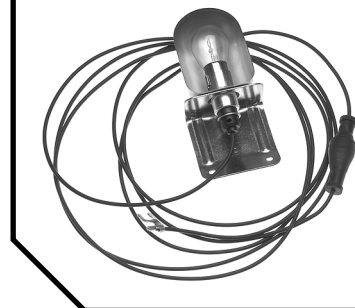
### **Guarantee & Warranty**

We are so confident in the quality of all of our restoration products that we offer the following guarantee and warranty. If you are not 100% satisfied with the quality of any of our restoration products we will give you a full refund. Just return the unused item within 30 days of receipt for a full refund. We also offer a full 1 year replacement warranty on all of the products we sell (see our product warranty sheet for more info).

### **Method of Payment**

We accept Visa, Master Card, American Express and Discover. If you prefer to pre-pay your order, we accept Money Orders, Cashiers Checks or Personal Checks. C.O.D. shipments are also available.

### **LIGHTING KITS**



### **1 WIRE IGNITION**



### **HARNESS TAPE**



***"M&H Harnesses are perfect reproductions created with correct color wires from Original GM wiring schematics".***

**MUSCLECAR ENTHUSIAST  
MAGAZINE**

# **[www.wiringharness.com](http://www.wiringharness.com)**

# Alternator Conversion Kits

**See car line catalogs  
for specific applications**

## **Alternator Conversion Kit External to "SI" Type Internal**

Our most popular Alternator Conversion Kit. This kit makes it easy to convert from an External Regulated Alternator to an "SI" Type Internal Regulated Alternator. Kit includes both adapters and an instruction sheet.

Easy to install:

1) Disconnect the external voltage regulator leads and plug our "Special Regulator Adapter" into the voltage regulator lead wires. 2) Disconnect the alternator lead wires. 3) Install new "SI" Type Internal Regulated alternator. 4) Plug one end of our "Alternator Adapter" into the original alternator lead wires and the other into the alternator.

*Typical application is '63-'74 GM Cars & Trucks, see carline catalogs for specific application information.*

Part #27555

Retail \$29.00



## **Alternator Conversion Kit External to "CS" Type Internal**

This kit makes it easy to convert from an External Regulated Alternator to a "CS" Type Internal Regulated Alternator. Kit includes both adapters and an instruction sheet.

Easy to install:

1) Disconnect the external voltage regulator leads and plug our "Special Regulator Adapter" into the voltage regulator lead wires. 2) Disconnect the alternator lead wires. 3) Install new "SI" Type Internal Regulated alternator. 4) Plug one end of our "Alternator Adapter" into the original alternator lead wires and the other into the alternator.

*Typical application is '63-'74 GM Cars & Trucks, see carline catalogs for specific application information.*

Part #37787

Retail \$34.00



## **Alternator Conversion Kit "SI" Type Internal to CS130/CS144 Type Internal**

Allows for an easy conversion from an "SI" type internal regulated alternator to a "CS130" or "CS144" type internal regulated alternator. Simple to install, the mating end of the adapter pigtail plugs perfectly to the original alternator connector, and the other end plugs right into any "CS130" or "CS144" type alternator. Kit includes adapter pigtail and an instruction sheet.

*Typical application is '69-'84 GM Cars & Trucks, see carline catalogs for specific application information.*

Part #37796

Retail \$26.00



# Alternator Conversion Kits

See car line catalogs  
for specific applications

## Alternator Conversion Kit

### "SI" Type Internal to "CS130D" Type Internal

Allows for an easy conversion from an "SI" type internal regulated alternator to a "CS130D" type internal regulated alternator. Simple to install, the mating end of the adapter pigtail plugs perfectly to the original alternator connector, and the other end plugs right into any "CS130D" type alternator. Kit includes adapter pigtail and an instruction sheet.

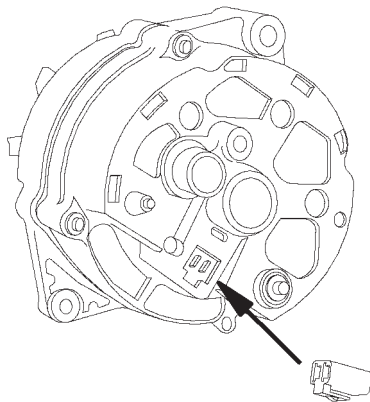
Typical application is '69-'84 GM Cars & Trucks, see carline catalogs for specific application information.

Part #39472

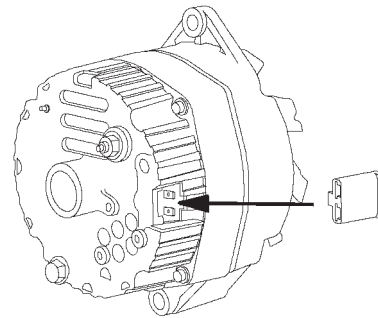
Retail \$27.00



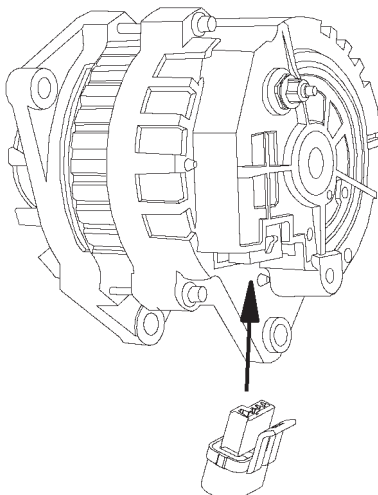
## Alternator Identification



1963-1974  
External Regulated Alternator



1969-1984 "SI" Type  
Internal Regulated Alternator



1984-1999 "CS130" & "CS144" Type  
Internal Regulated Alternator



1994-Newer "CS130D" Type  
Internal Regulated Alternator

# **Breakerless SE Single Wire Ignition**

**Simple 1 Wire Hook-Up, just connect the original points wire to the module**

**Completely stock appearance**

**Emissions Legal in all 50 States**

**Three year warranty**

The Breakerless SE allows you to convert any 1957 to 1974 GM, AMC or Jeep V8 breaker point type distributor (with a windowed type distributor cap) to a reliable solid-state electronic ignition, utilizing a fully integrated trigger and power module that fits completely inside the distributor.

Unlike competitive systems though, no additional wires protrude from the distributor, only the original points wire. The result is a state-of-the-art ignition with an absolutely stock appearance. The Breakerless SE is so unique that it's patented !



**Outstanding features of this unit include:**

- Single wire operation to preserve stock appearance and simplify wiring.
- Active dwell control maintains high rpm spark energy while reducing coil heating at idle.
- Auto-standby prevents coil damage or dead battery if the ignition is accidentally left on.
- Hall effect rotary-vane sensor design compensates for worn bearings and distributor end play. Magnetic sensor is unaffected by oil, dirt or other contaminants, unlike optical systems.
- Over-voltage/over-current protected against damage from high amp battery chargers, reversed battery, or improper wiring.
- Constructed with premium quality components. Sealed, hi-temp thermoplastic housing provides exceptional resistance against moisture and vibration.
- No distributor modification, disassembly, or removal is required.

Kit comes complete with everything you'll need to install the Breakerless SE Single Wire Ignition. Kit includes: 1 Module, 1 (two-piece) vane, all necessary installation hardware and a comprehensive instruction sheet.

**Part #38131**  
**Retail \$179.00**

**For more info on this product  
visit [www.breakerless.com](http://www.breakerless.com)**

# **Transistor Ignition Replacement Module**

**Drop-In Replacement Module fits all Chevrolet & Pontiac cars equipped with the rare and optional Transistor Ignition System**

**Drops into the Original Finned Amplifier Housing**

**Quicker Starts**

**Improved Performance**

M&H's Transistor Ignition Replacement Module is a drop-in performance upgrade, and provides state-of-the-art ignition technology. This replacement module generates twice the coil primary voltage providing up to 10% more available secondary voltage with the factory T.I. coil. It also can be used with point type or aftermarket coils or M&H's own T.I. Replacement Coil. It provides output protection against failure caused by broken or disconnected plug wires, and has an extended temperature range to over 300-degrees. The state-of-the-art electronics are completely sealed in thermoplastic to keep water and contaminants out. Superior construction provides superior performance, just like all M&H Electric's products.



**Simple to Install**

- Remove the backing plate from your original amplifier housing
- Remove wiring from original circuit board and unscrew it from the housing
- Thoroughly clean the inside of the housing
- Screw in M&H's new T.I. Replacement Module and attach the wiring
- ***That's it, you'll enjoy Quicker Starts and Improved Performance***

**Fits all Chevrolet & Pontiac cars with Transistor Ignition**

**Part #32270  
Retail \$172.00**

Part Number	Year	Description	Price	*Rev.
<b>8 TRACK TAPE PLAYER HARNESS</b>				
27610	1967	<b>8 TRACK TAPE PLAYER HARNESS</b> AM Or AM/FM Radio, Except Stereo, Tape Player To Radio	\$92.00	
27610	1968	<b>8 TRACK TAPE PLAYER HARNESS</b> AM Or AM/FM Radio, Except Stereo, Tape Player To Radio	\$92.00	
39703	1968	<b>8 TRACK TAPE PLAYER HARNESS</b> Stereo Radio & Multiplex, Tape Player To Radio	\$92.00	
40512	1969	<b>8 TRACK TAPE PLAYER HARNESS</b> AM/FM Radio, With Stereo, Tape Player To Radio	\$92.00	
40513	1969	<b>8 TRACK TAPE PLAYER HARNESS</b> AM Or AM/FM Radio, Except Stereo, Tape Player To Radio	\$92.00	
19855	1970	<b>8 TRACK TAPE PLAYER HARNESS</b> AM Or AM/FM Radio, Except Stereo, Tape Player To Radio Note: Customer Must Reuse Their Original Plastic Connector For The Speaker Wiring.	\$92.00	
15545	1970	<b>8 TRACK TAPE PLAYER HARNESS</b> AM/FM Radio, With Stereo, Tape Player To Radio Note: Customer Must Reuse Their Original Plastic Connector For The Speaker Wiring.	\$92.00	
19855	1971	<b>8 TRACK TAPE PLAYER HARNESS</b> AM Or AM/FM Radio, Except Stereo, Tape Player To Radio Note: Customer Must Reuse Their Original Plastic Connector For The Speaker Wiring.	\$92.00	
15545	1971	<b>8 TRACK TAPE PLAYER HARNESS</b> AM/FM Radio, With Stereo, Tape Player To Radio Note: Customer Must Reuse Their Original Plastic Connector For The Speaker Wiring.	\$92.00	
19855	1972	<b>8 TRACK TAPE PLAYER HARNESS</b> AM Or AM/FM Radio, Except Stereo, Tape Player To Radio Note: Customer Must Reuse Their Original Plastic Connector For The Speaker Wiring.	\$92.00	
15545	1972	<b>8 TRACK TAPE PLAYER HARNESS</b> AM/FM Radio, With Stereo, Tape Player To Radio Note: Customer Must Reuse Their Original Plastic Connector For The Speaker Wiring.	\$92.00	
<b>AIR CONDITIONING COMPRESSOR JUMPER HARNESS</b>				
40838	1975	<b>AIR CONDITIONING COMPRESSOR JUMPER HARNESS</b> 6 Cylinder, Compressor To Thermal Limiter Note: 6 Cylinder Items Are Not Returnable.	\$87.00	
40830	1976	<b>AIR CONDITIONING COMPRESSOR JUMPER HARNESS</b> V/8, Engine Harness To A/C Compressor	\$87.00	
40838	1976	<b>AIR CONDITIONING COMPRESSOR JUMPER HARNESS</b> 6 Cylinder, Compressor To Thermal Limiter Note: 6 Cylinder Items Are Not Returnable.	\$87.00	
38421	1977	<b>AIR CONDITIONING COMPRESSOR JUMPER HARNESS</b> Grand Le Mans And Le Mans, V/8, 350 & 400 C.I., A/C Harness To A/C Compressor	\$67.00	
38616	1977	<b>AIR CONDITIONING COMPRESSOR JUMPER HARNESS</b> V/8, 301 C.I., A/C Harness To A/C Compressor	\$80.00	
38619	1977	<b>AIR CONDITIONING COMPRESSOR JUMPER HARNESS</b> V/6, A/C Harness To A/C Compressor	\$67.00	
<b>AIR CONDITIONING CONTROL LAMP ASSEMBLY</b>				
40743	1966	<b>AIR CONDITIONING CONTROL LAMP ASSEMBLY</b> Bulb Socket & Wire, Dash Harness To A/C Control Unit	\$23.00	
40743	1967	<b>AIR CONDITIONING CONTROL LAMP ASSEMBLY</b> Bulb Socket & Wire, Dash Harness To A/C Control Unit	\$23.00	
<b>AIR CONDITIONING EVAPORATOR WIRE</b>				
40455	1961	<b>AIR CONDITIONING EVAPORATOR WIRE</b> With Universal A/C, Heater Feed To Evaporator	\$21.00	
<b>AIR CONDITIONING EXTENSION HARNESS</b>				
40508	1968	<b>AIR CONDITIONING EXTENSION HARNESS</b> 6 Cylinder, With Field Installed A/C, Power Feed, From Alternator Power Stud To A/C Harness & Compressor Note: 6 Cylinder Items Are Not Returnable.	\$66.00	
40509	1968	<b>AIR CONDITIONING EXTENSION HARNESS</b> V/8, With Field Installed A/C, Power Feed, From Alternator Power Stud To A/C Harness & Compressor	\$66.00	
17390	1969	<b>AIR CONDITIONING EXTENSION HARNESS</b> V/8, Power Feed & Compressor, From Alternator Power Stud To A/C Harness & Compressor	\$52.00	
17390	1970	<b>AIR CONDITIONING EXTENSION HARNESS</b> V/8, Power Feed & Compressor, From Alternator Power Stud To A/C Harness & Compressor	\$52.00	
39487	1971	<b>AIR CONDITIONING EXTENSION HARNESS</b> Compressor To Engine Harness	\$66.00	
<b>AIR CONDITIONING HARNESS</b>				
03580	1961	<b>AIR CONDITIONING HARNESS</b> Includes Heater Wiring	\$164.00	
03830	1962	<b>AIR CONDITIONING HARNESS</b> Includes Heater Wiring	\$171.00	
18900	1963	<b>AIR CONDITIONING HARNESS</b> Includes Heater Wiring	\$164.00	

Part Number	Year	Description	Price	*Rev.
04590	1964	<b>AIR CONDITIONING HARNESS</b> 6 Cyl, Includes Heater Wiring, (Field Installed Only) Note: 6 Cylinder Items Are Not Returnable.	\$198.00	
04595	1964	<b>AIR CONDITIONING HARNESS</b> V/8, Includes Heater Wiring, (Field Installed Only)	\$198.00	
05175	1964	<b>AIR CONDITIONING HARNESS</b> Includes Heater Wiring, 6 Cylinder & V/8, With Factory Installed A/C Note: 6 Cylinder Items Are Not Returnable.	\$172.00	
05825	1965	<b>AIR CONDITIONING HARNESS</b> V/8, Includes Heater Wiring, (Field Installed Only)	\$198.00	
05830	1965	<b>AIR CONDITIONING HARNESS</b> 6 Cylinder, Includes Heater Wiring, (Field Installed Only) Note: 6 Cylinder Items Are Not Returnable.	\$198.00	
05720	1965	<b>AIR CONDITIONING HARNESS</b> Includes Heater Wiring, 6 Cylinder & V/8, With Factory Installed A/C Note: 6 Cylinder Items Are Not Returnable.	\$172.00	
09570	1966	<b>AIR CONDITIONING HARNESS</b> V/8, Includes Heater Wiring, (Field Installed Only)	\$113.00	
10170	1966	<b>AIR CONDITIONING HARNESS</b> 6 Cylinder, Includes Heater Wiring, (Field Installed Only) Note: 6 Cylinder Items Are Not Returnable.	\$113.00	
30215	1966	<b>AIR CONDITIONING HARNESS</b> Main, Engine Compartment (Includes Heater Wiring), 6 Cylinder & V/8, With Factory Installed A/C Note: 6 Cylinder Items Are Not Returnable.	\$113.00	
09695	1966	<b>AIR CONDITIONING HARNESS</b> Blower Switch, Under Dash (Includes Heater Wiring), 6 Cylinder & V/8, With Factory Installed A/C Note: 6 Cylinder Items Are Not Returnable.	\$87.00	
09570	1967	<b>AIR CONDITIONING HARNESS</b> V/8, Includes Heater Wiring, (Field Installed Only)	\$113.00	
10170	1967	<b>AIR CONDITIONING HARNESS</b> 6 Cylinder, Includes Heater Wiring, (Field Installed Only) Note: 6 Cylinder Items Are Not Returnable.	\$113.00	
30215	1967	<b>AIR CONDITIONING HARNESS</b> Main, Engine Compartment (Includes Heater Wiring), 6 Cylinder & V/8, With Factory Installed A/C Note: 6 Cylinder Items Are Not Returnable.	\$113.00	
09695	1967	<b>AIR CONDITIONING HARNESS</b> Blower Switch, Under Dash (Includes Heater Wiring), 6 Cylinder & V/8, With Factory Installed A/C Note: 6 Cylinder Items Are Not Returnable.	\$87.00	
11605	1968	<b>AIR CONDITIONING HARNESS</b> Includes Heater Wiring	\$172.00	
40517	1969	<b>AIR CONDITIONING HARNESS</b> Main, Engine Compartment, With Rear Defroster (Includes Heater Wiring)	\$113.00	
40518	1969	<b>AIR CONDITIONING HARNESS</b> Blower Switch, Under Dash, With Rear Defroster (Includes Heater Wiring)	\$80.00	
30220	1969	<b>AIR CONDITIONING HARNESS</b> Main, Engine Compartment, Without Rear Defroster (Includes Heater Wiring)	\$113.00	
13355	1969	<b>AIR CONDITIONING HARNESS</b> Blower Switch, Under Dash, Without Rear Defroster (Includes Heater Wiring)	\$87.00	
30220	1970	<b>AIR CONDITIONING HARNESS</b> Main, Engine Compartment, Without Rear Defroster (Includes Heater Wiring)	\$113.00	
13355	1970	<b>AIR CONDITIONING HARNESS</b> Blower Switch, Under Dash, Without Rear Defroster (Includes Heater Wiring)	\$87.00	
30225	1970	<b>AIR CONDITIONING HARNESS</b> Main, Engine Compartment, With Rear Defroster (Includes Heater Wiring)	\$180.00	
15730	1970	<b>AIR CONDITIONING HARNESS</b> Blower Switch, Under Dash, With Rear Defroster (Includes Heater Wiring)	\$127.00	
30220	1971	<b>AIR CONDITIONING HARNESS</b> Main, Engine Compartment (Includes Heater Wiring)	\$113.00	
13355	1971	<b>AIR CONDITIONING HARNESS</b> Blower Switch, Under Dash (Includes Heater Wiring)	\$87.00	
15430	1971	<b>AIR CONDITIONING HARNESS</b> V/8, Ventura (Includes Heater Wiring)	\$199.00	
30220	1972	<b>AIR CONDITIONING HARNESS</b> Main, Engine Compartment (Includes Heater Wiring)	\$113.00	
13355	1972	<b>AIR CONDITIONING HARNESS</b> Blower Switch, Under Dash (Includes Heater Wiring)	\$87.00	



Part Number	Year	Description	Price	*Rev.
16400	1972	<b>AIR CONDITIONING HARNESS</b> Ventura, V/8, With Chevy 307 C.I. (Includes Heater Wiring)	\$199.00	
40611	1972	<b>AIR CONDITIONING HARNESS</b> Ventura, With Pontiac 350 C.I. Eng (Includes Heater Wiring)	\$221.00	
17560	1973	<b>AIR CONDITIONING HARNESS</b> Blower Switch, Under Dash (Includes Heater Wiring)	\$80.00	
40635	1973	<b>AIR CONDITIONING HARNESS</b> Main, Engine Compartment (Includes Heater Wiring), (1st Design) Note: Used On Cars Where Harness Is Routed Thru Center Of Firewall. Customer Must Supply Their Original Harness.	\$113.00	
40664	1973	<b>AIR CONDITIONING HARNESS</b> Main, Engine Compartment (Includes Heater Wiring), (2nd Design) Note: Used On Cars Where Harness Is Routed Thru Firewall, Outboard Of Blower Motor.	\$226.00	
40611	1973	<b>AIR CONDITIONING HARNESS</b> Ventura, With Pontiac 350 C.I. Eng (Includes Heater Wiring)	\$221.00	
40663	1974	<b>AIR CONDITIONING HARNESS</b> Blower Switch, Under Dash (Includes Heater Wiring)	\$133.00	
40664	1974	<b>AIR CONDITIONING HARNESS</b> Main, Engine Compartment (Includes Heater Wiring)	\$226.00	
40611	1974	<b>AIR CONDITIONING HARNESS</b> Ventura, V/8 (Includes Heater Wiring)	\$221.00	
37627	1975	<b>AIR CONDITIONING HARNESS</b> Main, Engine Compartment, V/8, With Standard A/C (Includes Heater Wiring)	\$226.00	
40685	1975	<b>AIR CONDITIONING HARNESS</b> Main, Engine Compartment, V/8, With Auto Temp Control A/C (Includes Heater Wiring)	\$172.00	
40687	1975	<b>AIR CONDITIONING HARNESS</b> Blower Switch, Under Dash, With Auto Temp Control A/C, (Includes Heater Wiring)	\$80.00	
40814	1975	<b>AIR CONDITIONING HARNESS</b> Main, Engine Compartment, With 6 Cylinder (Includes Heater Wiring) Note: 6 Cylinder Items Are Not Returnable.	\$172.00	
40820	1975	<b>AIR CONDITIONING HARNESS</b> Blower Switch, Under Dash, With Standard A/C, (Includes Heater Wiring)	\$80.00	
40834	1976	<b>AIR CONDITIONING HARNESS</b> V/8, Main, With Standard A/C (Includes Heater Wiring)	\$172.00	
40835	1976	<b>AIR CONDITIONING HARNESS</b> V/8, Main, With Automatic Temperature Control A/C (Includes Heater Wiring)	\$172.00	
40836	1976	<b>AIR CONDITIONING HARNESS</b> 6 Cylinder, Main (Includes Heater Wiring) Note: 6 Cylinder Items Are Not Returnable.	\$198.00	
40890	1977	<b>AIR CONDITIONING HARNESS</b> V/8, Main (Includes Heater Wiring) Note: Customer Must Reuse Their Original Plastic Connector That Plugs Onto The Ranco Switch.	\$184.00	
<b>AIR CONDITIONING JUMPER HARNESS</b>				
40503	1967	<b>AIR CONDITIONING JUMPER HARNESS</b> Used On Factory Production A/C Systems, This Jumper Connects Blower Relay & Clutch Switch To Ambient Switch	\$46.00	
40507	1967	<b>AIR CONDITIONING JUMPER HARNESS</b> Used On Field Installed A/C Systems, Blower Relay & Clutch Switch To Ambient Switch Connector	\$46.00	
40848	1976	<b>AIR CONDITIONING JUMPER HARNESS</b> With Automatic Temperature Control, A/C Harness To Temperature Switch	\$21.00	
<b>AIR CONDITIONING POWER FEED WIRE</b>				
10970	1971	<b>AIR CONDITIONING POWER FEED WIRE</b> Ventura, Horn Relay To A/C Fuse	\$22.00	
33865	1972	<b>AIR CONDITIONING POWER FEED WIRE</b> Ventura, V/8, Chevy 307 C.I., Horn Relay To A/C Fuse	\$25.00	
<b>ALTERNATOR CONVERSION KIT</b>				
27555	1963	<b>ALTERNATOR CONVERSION KIT</b> External To Internal Regulator Conversion Harness ("SI" Series) Note: For Use With 1972-84 Non-Serpentine Belt ("SI" Series) Internal Regulated Alternators.	\$29.00	
37787	1963	<b>ALTERNATOR CONVERSION KIT</b> External To Internal Regulator Conversion Harness ("CS" Series) Note: For Use With Serpentine Belt ("CS" Series) Internal Regulated Alternators.	\$34.00	
27555	1964	<b>ALTERNATOR CONVERSION KIT</b> External To Internal Regulator Conversion Harness ("SI" Series) Note: For Use With 1972-84 Non-Serpentine Belt ("SI" Series) Internal Regulated Alternators.	\$29.00	
37787	1964	<b>ALTERNATOR CONVERSION KIT</b> External To Internal Regulator Conversion Harness ("CS" Series) Note: For Use With Serpentine Belt ("CS" Series) Internal Regulated Alternators.	\$34.00	

Part Number	Year	Description	Price	*Rev.
27555	1965	<b>ALTERNATOR CONVERSION KIT</b> External To Internal Regulator Conversion Harness ("SI" Series) Note: For Use With 1972-84 Non-Serpentine Belt ("SI" Series) Internal Regulated Alternators.	\$29.00	
37787	1965	<b>ALTERNATOR CONVERSION KIT</b> External To Internal Regulator Conversion Harness ("CS" Series) Note: For Use With Serpentine Belt ("CS" Series) Internal Regulated Alternators.	\$34.00	
27555	1966	<b>ALTERNATOR CONVERSION KIT</b> External To Internal Regulator Conversion Harness ("SI" Series) Note: For Use With 1972-84 Non-Serpentine Belt ("SI" Series) Internal Regulated Alternators.	\$29.00	
37787	1966	<b>ALTERNATOR CONVERSION KIT</b> External To Internal Regulator Conversion Harness ("CS" Series) Note: For Use With Serpentine Belt ("CS" Series) Internal Regulated Alternators.	\$34.00	
27555	1967	<b>ALTERNATOR CONVERSION KIT</b> External To Internal Regulator Conversion Harness ("SI" Series) Note: For Use With 1972-84 Non-Serpentine Belt ("SI" Series) Internal Regulated Alternators.	\$29.00	
37787	1967	<b>ALTERNATOR CONVERSION KIT</b> External To Internal Regulator Conversion Harness ("CS" Series) Note: For Use With Serpentine Belt ("CS" Series) Internal Regulated Alternators.	\$34.00	
27555	1968	<b>ALTERNATOR CONVERSION KIT</b> External To Internal Regulator Conversion Harness ("SI" Series) Note: For Use With 1972-84 Non-Serpentine Belt ("SI" Series) Internal Regulated Alternators.	\$29.00	
37787	1968	<b>ALTERNATOR CONVERSION KIT</b> External To Internal Regulator Conversion Harness ("CS" Series) Note: For Use With Serpentine Belt ("CS" Series) Internal Regulated Alternators.	\$34.00	
27555	1969	<b>ALTERNATOR CONVERSION KIT</b> External To Internal Regulator Conversion Harness ("SI" Series) Note: For Use With 1972-84 Non-Serpentine Belt ("SI" Series) Internal Regulated Alternators.	\$29.00	
37787	1969	<b>ALTERNATOR CONVERSION KIT</b> External To Internal Regulator Conversion Harness ("CS" Series) Note: For Use With Serpentine Belt ("CS" Series) Internal Regulated Alternators.	\$34.00	
37796	1969	<b>ALTERNATOR CONVERSION KIT</b> Internal Regulator "SI" Series Alternator To "CS" Series (Serpentine Belt) Alternator Note: For Use With Serpentine Belt ("CS130" Or "CS144" Type) Internal Regulated Alternators.	\$26.00	
27555	1970	<b>ALTERNATOR CONVERSION KIT</b> External To Internal Regulator Conversion Harness ("SI" Series) Note: For Use With 1972-84 Non-Serpentine Belt ("SI" Series) Internal Regulated Alternators.	\$29.00	
37787	1970	<b>ALTERNATOR CONVERSION KIT</b> External To Internal Regulator Conversion Harness ("CS" Series) Note: For Use With Serpentine Belt ("CS" Series) Internal Regulated Alternators.	\$34.00	
37796	1970	<b>ALTERNATOR CONVERSION KIT</b> Internal Regulator "SI" Series Alternator To "CS" Series (Serpentine Belt) Alternator Note: For Use With Serpentine Belt ("CS130" Or "CS144" Type) Internal Regulated Alternators.	\$26.00	
37796	1971	<b>ALTERNATOR CONVERSION KIT</b> Internal Regulator "SI" Series Alternator To "CS" Series (Serpentine Belt) Alternator Note: For Use With Serpentine Belt ("CS130" Or "CS144" Type) Internal Regulated Alternators.	\$26.00	
37796	1972	<b>ALTERNATOR CONVERSION KIT</b> Internal Regulator "SI" Series Alternator To "CS" Series (Serpentine Belt) Alternator Note: For Use With Serpentine Belt ("CS130" Or "CS144" Type) Internal Regulated Alternators.	\$26.00	
37796	1973	<b>ALTERNATOR CONVERSION KIT</b> Internal Regulator "SI" Series Alternator To "CS" Series (Serpentine Belt) Alternator Note: For Use With Serpentine Belt ("CS130" Or "CS144" Type) Internal Regulated Alternators.	\$26.00	
37796	1974	<b>ALTERNATOR CONVERSION KIT</b> Internal Regulator "SI" Series Alternator To "CS" Series (Serpentine Belt) Alternator Note: For Use With Serpentine Belt ("CS130" Or "CS144" Type) Internal Regulated Alternators.	\$26.00	
37796	1975	<b>ALTERNATOR CONVERSION KIT</b> Internal Regulator "SI" Series Alternator To "CS" Series (Serpentine Belt) Alternator Note: For Use With Serpentine Belt ("CS130" Or "CS144" Type) Internal Regulated Alternators.	\$26.00	
37796	1977	<b>ALTERNATOR CONVERSION KIT</b> Internal Regulator "SI" Series Alternator To "CS" Series (Serpentine Belt) Alternator Note: For Use With Serpentine Belt ("CS130" Or "CS144" Type) Internal Regulated Alternators.	\$26.00	
37796	1978	<b>ALTERNATOR CONVERSION KIT</b> Internal Regulator "SI" Series Alternator To "CS" Series (Serpentine Belt) Alternator Note: For Use With Serpentine Belt ("CS130" Or "CS144" Type) Internal Regulated Alternators.	\$26.00	

Part Number	Year	Description	Price	*Rev.
37796	1979	<b>ALTERNATOR CONVERSION KIT</b> Internal Regulator "SI" Series Alternator To "CS" Series (Serpentine Belt) Alternator Note: For Use With Serpentine Belt ("CS130" Or "CS144" Type) Internal Regulated Alternators.	\$26.00	
37796	1980	<b>ALTERNATOR CONVERSION KIT</b> Internal Regulator "SI" Series Alternator To "CS" Series (Serpentine Belt) Alternator Note: For Use With Serpentine Belt ("CS130" Or "CS144" Type) Internal Regulated Alternators.	\$26.00	
37796	1981	<b>ALTERNATOR CONVERSION KIT</b> Internal Regulator "SI" Series Alternator To "CS" Series (Serpentine Belt) Alternator Note: For Use With Serpentine Belt ("CS130" Or "CS144" Type) Internal Regulated Alternators.	\$26.00	
37796	1982	<b>ALTERNATOR CONVERSION KIT</b> Internal Regulator "SI" Series Alternator To "CS" Series (Serpentine Belt) Alternator Note: For Use With Serpentine Belt ("CS130" Or "CS144" Type) Internal Regulated Alternators.	\$26.00	
37796	1983	<b>ALTERNATOR CONVERSION KIT</b> Internal Regulator "SI" Series Alternator To "CS" Series (Serpentine Belt) Alternator Note: For Use With Serpentine Belt ("CS130" Or "CS144" Type) Internal Regulated Alternators.	\$26.00	
37796	1984	<b>ALTERNATOR CONVERSION KIT</b> Internal Regulator "SI" Series Alternator To "CS" Series (Serpentine Belt) Alternator Note: For Use With Serpentine Belt ("CS130" Or "CS144" Type) Internal Regulated Alternators.	\$26.00	
37796	1985	<b>ALTERNATOR CONVERSION KIT</b> Internal Regulator "SI" Series Alternator To "CS" Series (Serpentine Belt) Alternator Note: For Use With Serpentine Belt ("CS130" Or "CS144" Type) Internal Regulated Alternators.	\$26.00	
37796	1986	<b>ALTERNATOR CONVERSION KIT</b> Internal Regulator "SI" Series Alternator To "CS" Series (Serpentine Belt) Alternator Note: For Use With Serpentine Belt ("CS130" Or "CS144" Type) Internal Regulated Alternators.	\$26.00	
<b>ALTERNATOR HARNESS</b>				
40464	1962	<b>ALTERNATOR HARNESS</b> With 52 Amp Alternator Option, Regulator To Alternator	\$66.00	
<b>ASH TRAY LAMP WIRE</b>				
40392	1968	<b>ASH TRAY LAMP WIRE</b> Fiber Optic Note: Lead Only, Does Not Include Lamp Socket & Retainer.	\$37.00	
40392	1969	<b>ASH TRAY LAMP WIRE</b> Fiber Optic Note: Lead Only, Does Not Include Lamp Socket & Retainer.	\$37.00	
40392	1970	<b>ASH TRAY LAMP WIRE</b> Fiber Optic Note: Lead Only, Does Not Include Lamp Socket & Retainer.	\$37.00	
40392	1971	<b>ASH TRAY LAMP WIRE</b> Fiber Optic Note: Lead Only, Does Not Include Lamp Socket & Retainer.	\$37.00	
12950	1971	<b>ASH TRAY LAMP WIRE</b> Ventura, Fiber Optic Note: Lead Only, Does Not Include Lamp Socket & Retainer.	\$30.00	
40392	1972	<b>ASH TRAY LAMP WIRE</b> Fiber Optic Note: Lead Only, Does Not Include Lamp Socket & Retainer.	\$37.00	
18505	1972	<b>ASH TRAY LAMP WIRE</b> Ventura, Fiber Optic Note: Lead Only, Does Not Include Lamp Socket & Retainer.	\$33.00	
40133	1973	<b>ASH TRAY LAMP WIRE</b> Fiber Optic Note: Lead Only, Does Not Include Lamp Socket & Retainer.	\$33.00	
18505	1973	<b>ASH TRAY LAMP WIRE</b> Ventura, Fiber Optic Note: Lead Only, Does Not Include Lamp Socket & Retainer.	\$33.00	
40133	1974	<b>ASH TRAY LAMP WIRE</b> Fiber Optic Note: Lead Only, Does Not Include Lamp Socket & Retainer.	\$33.00	
12950	1974	<b>ASH TRAY LAMP WIRE</b> Ventura, Fiber Optic Note: Lead Only, Does Not Include Lamp Socket & Retainer.	\$30.00	
40133	1975	<b>ASH TRAY LAMP WIRE</b> Fiber Optic Note: Lead Only, Does Not Include Lamp Socket & Retainer.	\$33.00	

Part Number	Year	Description	Price	*Rev.
40133	1976	<b>ASH TRAY LAMP WIRE</b> Fiber Optic Note: Lead Only, Does Not Include Lamp Socket & Retainer.	\$33.00	
40133	1977	<b>ASH TRAY LAMP WIRE</b> Fiber Optic Note: Lead Only, Does Not Include Lamp Socket & Retainer.	\$33.00	
<b>ASSEMBLY MANUAL</b>				
36358	1967	<b>ASSEMBLY MANUAL</b> Factory Assembly Instruction Guide	\$32.00	
38571	1969	<b>ASSEMBLY MANUAL</b> Factory Assembly Instruction Guide	\$32.00	
36359	1970	<b>ASSEMBLY MANUAL</b> Factory Assembly Instruction Guide	\$32.00	
36360	1971	<b>ASSEMBLY MANUAL</b> Factory Assembly Instruction Guide	\$32.00	
43247	1972	<b>ASSEMBLY MANUAL</b> Factory Assembly Instruction Guide	\$32.00	
43248	1973	<b>ASSEMBLY MANUAL</b> Factory Assembly Instruction Guide	\$32.00	
<b>BACKUP LAMP HARNESS</b>				
40454	1961	<b>BACKUP LAMP HARNESS</b> Auto Trans, Fuse Block To Backup Lamp Switch	\$41.00	
40453	1961	<b>BACKUP LAMP HARNESS</b> Manual Trans, Dash Harness To Backup Lamp Switch	\$60.00	
40454	1962	<b>BACKUP LAMP HARNESS</b> Auto Trans, Fuse Block To Backup Lamp Switch	\$41.00	
40453	1962	<b>BACKUP LAMP HARNESS</b> Manual Trans, Dash Harness To Backup Lamp Switch	\$60.00	
40454	1963	<b>BACKUP LAMP HARNESS</b> Auto Trans, Fuse Block To Backup Lamp Switch	\$41.00	
40469	1963	<b>BACKUP LAMP HARNESS</b> Manual Trans, Dash Harness To Backup Lamp Switch	\$60.00	
40735	1974	<b>BACKUP LAMP HARNESS</b> Grand AM, 2 Door Notch Back, (Includes License Lamp Wires), From Rear Lamp Harness To Backup Lamp Assembly	\$125.00	
40735	1975	<b>BACKUP LAMP HARNESS</b> Grand Am & Le Mans, (Includes License Lamp Wires), From Rear Lamp Harness To Backup Lamp Assembly	\$125.00	
40429	1976	<b>BACKUP LAMP HARNESS</b> Le Mans, (Includes License Lamp Wires), From Rear Lamp Harness To Backup Lamp Assembly	\$60.00	
40429	1977	<b>BACKUP LAMP HARNESS</b> Le Mans, (Includes License Lamp Wires), From Rear Lamp Harness To Backup Lamp Assembly	\$60.00	
<b>BACKUP LAMP SWITCH</b>				
01993662	1964	<b>BACKUP LAMP SWITCH</b> 4 Speed, Manual Trans	\$64.00	
01993310	1965	<b>BACKUP LAMP SWITCH</b> 3 Speed, Manual Trans	\$64.00	
01993309	1965	<b>BACKUP LAMP SWITCH</b> 4 Speed, Manual Trans	\$64.00	
01993310	1966	<b>BACKUP LAMP SWITCH</b> 3 Speed, Manual Trans	\$64.00	
01993309	1966	<b>BACKUP LAMP SWITCH</b> 4 Speed, Manual Trans	\$64.00	
01993310	1967	<b>BACKUP LAMP SWITCH</b> 3 Speed, Manual Trans	\$64.00	
01993309	1967	<b>BACKUP LAMP SWITCH</b> 4 Speed, Manual Trans	\$64.00	
03943657	1969	<b>BACKUP LAMP SWITCH</b> Manual Trans	\$53.00	
03943657	1970	<b>BACKUP LAMP SWITCH</b> Manual Trans	\$53.00	
03943657	1971	<b>BACKUP LAMP SWITCH</b> Manual Trans	\$53.00	
03943657	1972	<b>BACKUP LAMP SWITCH</b> Manual Trans	\$53.00	
<b>BACKUP LAMP SWITCH EXTENSION HARNESS</b>				
03820	1964	<b>BACKUP LAMP SWITCH EXTENSION HARNESS</b> Manual Trans, Dash Harness To Backup Lamp Switch	\$33.00	
06070	1965	<b>BACKUP LAMP SWITCH EXTENSION HARNESS</b> Manual Trans, Dash Harness To Backup Lamp Switch	\$33.00	
06070	1966	<b>BACKUP LAMP SWITCH EXTENSION HARNESS</b> Manual Trans, Dash Harness To Backup Lamp Switch	\$33.00	
10480	1967	<b>BACKUP LAMP SWITCH EXTENSION HARNESS</b> Manual Trans, Dash Harness To Backup Lamp Switch	\$33.00	
12695	1968	<b>BACKUP LAMP SWITCH EXTENSION HARNESS</b> Manual Trans, Dash Harness Side To Engine Compartment Note: Connects To Part# 12690 Backup Lamp Switch Extension Harness.	\$31.00	
12690	1968	<b>BACKUP LAMP SWITCH EXTENSION HARNESS</b> Manual Trans, Engine Compartment Side To Backup Lamp Switch Note: Connects To Part# 12695 Backup Lamp Switch Extension Harness.	\$31.00	

Part Number	Year	Description	Price	*Rev.
40839	1976	<b>BACKUP LAMP SWITCH EXTENSION HARNESS</b> 260 C.I. V/8, With 5 Speed Trans, Dash Harness To Backup Lamp Switch	\$60.00	
40842	1976	<b>BACKUP LAMP SWITCH EXTENSION HARNESS</b> With 5 Speed Trans, Without 260 C.I. V/8, Dash Harness To Backup Lamp Switch	\$60.00	
<b>BACKUP LAMP SWITCH MOUNTING BRACKET</b>				
37650	1966	<b>BACKUP LAMP SWITCH MOUNTING BRACKET</b> With Muncie 4 Speed Transmission	\$29.00	
37650	1967	<b>BACKUP LAMP SWITCH MOUNTING BRACKET</b> With Muncie 4 Speed Transmission	\$29.00	
<b>BACKUP LAMP WIRE</b>				
40452	1961	<b>BACKUP LAMP WIRE</b> Manual Trans, Fuse Block To Backup Lamp Harness	\$20.00	
40452	1962	<b>BACKUP LAMP WIRE</b> Manual Trans, Fuse Block To Backup Lamp Harness	\$20.00	
40452	1963	<b>BACKUP LAMP WIRE</b> Manual Trans, Fuse Block To Backup Lamp Harness	\$20.00	
<b>BATTERY CABLE EXTENSION</b>				
40670	1974	<b>BATTERY CABLE EXTENSION</b> Neg, Redundant Ground Cable, Firewall To Engine	\$38.00	
40681	1974	<b>BATTERY CABLE EXTENSION</b> Ventura, Neg, Redundant Ground Cable, Firewall To Engine	\$38.00	
40818	1975	<b>BATTERY CABLE EXTENSION</b> Neg, Redundant Ground Cable, With Auto Trans, Firewall To Engine	\$38.00	
40819	1975	<b>BATTERY CABLE EXTENSION</b> Neg, Redundant Ground Cable, With Manual Trans, Firewall To Engine	\$38.00	
40818	1976	<b>BATTERY CABLE EXTENSION</b> Neg, Redundant Ground Cable, With Auto Trans, Firewall To Engine	\$38.00	
40819	1976	<b>BATTERY CABLE EXTENSION</b> Neg, Redundant Ground Cable, With Manual Trans, Firewall To Engine	\$38.00	
40819	1977	<b>BATTERY CABLE EXTENSION</b> Neg, Redundant Ground Cable, With Manual Trans, Firewall To Engine	\$38.00	
40818	1977	<b>BATTERY CABLE EXTENSION</b> Neg, Redundant Ground Cable, With Auto Trans, Firewall To Engine	\$38.00	
<b>BATTERY CABLE JUMPER</b>				
40470	1963	<b>BATTERY CABLE JUMPER</b> Pos, 326 V/8, With Standard Battery, Fender Mounted Junction Block To Starter Motor Note: Standard Battery Option Uses A 6 Gauge Battery Cable.	\$69.00	
40475	1963	<b>BATTERY CABLE JUMPER</b> Pos, 326 V/8, With Heavy Duty Battery, Fender Mounted Junction Block To Starter Motor Note: Heavy Duty Battery Option Uses A 4 Gauge Battery Cable.	\$69.00	
05610	1964	<b>BATTERY CABLE JUMPER</b> Pos, V/8, Fender Mounted Junction Block To Starter Motor	\$69.00	
<b>BATTERY CABLE-NEGATIVE</b>				
03480	1961	<b>BATTERY CABLE, SPRING RING</b> Neg, 4 Cylinder	\$69.00	
03610	1961	<b>BATTERY CABLE, SPRING RING</b> Neg, V/8	\$69.00	
03480	1962	<b>BATTERY CABLE, SPRING RING</b> Neg, 4 Cylinder	\$69.00	
03610	1962	<b>BATTERY CABLE, SPRING RING</b> Neg, V/8	\$69.00	
03480	1963	<b>BATTERY CABLE, SPRING RING</b> Neg, 4 Cylinder, With Standard Battery	\$69.00	
04120	1963	<b>BATTERY CABLE, SPRING RING</b> Neg, 4 Cylinder, With Heavy Duty Battery	\$69.00	
04080	1963	<b>BATTERY CABLE, SPRING RING</b> Neg, V/8, Without Heavy Duty Battery, Except 421 Super Duty	\$69.00	
04265	1963	<b>BATTERY CABLE, SPRING RING</b> Neg, V/8, With Heavy Duty Battery, Except 421 Super Duty	\$69.00	
04395	1963	<b>BATTERY CABLE, SPRING RING</b> Neg, 421 Super Duty	\$69.00	
05235	1964	<b>BATTERY CABLE, SPRING RING</b> Neg, 6 Cylinder Note: 6 Cylinder Items Are Not Returnable.	\$69.00	
03430	1964	<b>BATTERY CABLE, SPRING RING</b> Neg, V/8	\$69.00	
05235	1965	<b>BATTERY CABLE, SPRING RING</b> Neg, 6 Cylinder Note: 6 Cylinder Items Are Not Returnable.	\$69.00	

Part Number	Year	Description	Price	*Rev.
03430	1965	<b>BATTERY CABLE, SPRING RING</b> Neg, V/8	\$69.00	
09205	1966	<b>BATTERY CABLE, SPRING RING</b> Neg, 6 Cylinder Note: 6 Cylinder Items Are Not Returnable.	\$69.00	
03430	1966	<b>BATTERY CABLE, SPRING RING</b> Neg, V/8	\$69.00	
09845	1967	<b>BATTERY CABLE, SPRING RING</b> Neg, 6 Cylinder Note: 6 Cylinder Items Are Not Returnable.	\$69.00	
03430	1967	<b>BATTERY CABLE, SPRING RING</b> Neg, V/8	\$69.00	
03005	1968	<b>BATTERY CABLE, SPRING RING</b> Neg, 6 Cylinder Note: 6 Cylinder Items Are Not Returnable.	\$69.00	
03435	1968	<b>BATTERY CABLE, SPRING RING</b> Neg, V/8	\$69.00	
03005	1969	<b>BATTERY CABLE, SPRING RING</b> Neg, 6 Cylinder Note: 6 Cylinder Items Are Not Returnable.	\$69.00	
03435	1969	<b>BATTERY CABLE, SPRING RING</b> Neg, V/8	\$69.00	
14605	1970	<b>BATTERY CABLE, SPRING RING</b> Neg, 6 Cylinder Note: 6 Cylinder Items Are Not Returnable.	\$69.00	
13655	1970	<b>BATTERY CABLE, SIDE POST</b> Neg, V/8	\$74.00	
03435	1970	<b>BATTERY CABLE, SPRING RING</b> Neg, V/8, Without Ram Air	\$69.00	
14585	1970	<b>BATTERY CABLE, SPRING RING</b> Neg, V/8, With Ram Air	\$69.00	
14605	1971	<b>BATTERY CABLE, SPRING RING</b> Neg, 6 Cylinder Note: 6 Cylinder Items Are Not Returnable.	\$69.00	
03435	1971	<b>BATTERY CABLE, SPRING RING</b> Neg, V/8, Except 455 Ci	\$69.00	
14585	1971	<b>BATTERY CABLE, SPRING RING</b> Neg, V/8, With Heavy Duty Battery Or 455 Ci Without Heavy Duty Battery	\$69.00	
39348	1971	<b>BATTERY CABLE, SIDE POST</b> Neg, V/8, 455 Ci, With Heavy Duty Battery	\$73.00	
14605	1972	<b>BATTERY CABLE, SPRING RING</b> Neg, 6 Cylinder Note: 6 Cylinder Items Are Not Returnable.	\$69.00	
03435	1972	<b>BATTERY CABLE, SPRING RING</b> Neg, V/8, Except 455	\$69.00	
40584	1972	<b>BATTERY CABLE, SIDE POST</b> Neg, V/8, 455ci, With Heavy Duty Battery	\$74.00	
40587	1973	<b>BATTERY CABLE, SIDE POST</b> Neg, 6 Cylinder Note: 6 Cylinder Items Are Not Returnable.	\$74.00	
22980	1973	<b>BATTERY CABLE, SIDE POST</b> Neg, 6 Cylinder, Ventura Note: 6 Cylinder Items Are Not Returnable.	\$74.00	
40150	1973	<b>BATTERY CABLE, SIDE POST</b> Neg, V/8	\$74.00	
40585	1973	<b>BATTERY CABLE, SPRING RING</b> Neg, V/8, Ventura, 350 Pontiac	\$74.00	
40587	1974	<b>BATTERY CABLE, SIDE POST</b> Neg, 6 Cylinder Note: 6 Cylinder Items Are Not Returnable.	\$74.00	
22980	1974	<b>BATTERY CABLE, SIDE POST</b> Neg, 6 Cylinder, Ventura Note: 6 Cylinder Items Are Not Returnable.	\$74.00	
40150	1974	<b>BATTERY CABLE, SIDE POST</b> Neg, V/8	\$74.00	
40585	1974	<b>BATTERY CABLE, SPRING RING</b> Neg, V/8, Ventura, 350 Pontiac	\$74.00	
40816	1975	<b>BATTERY CABLE, SIDE POST</b> Neg, 6 Cylinder Note: 6 Cylinder Items Are Not Returnable.	\$74.00	
40815	1975	<b>BATTERY CABLE, SIDE POST</b> Neg, V/8	\$74.00	
40816	1976	<b>BATTERY CABLE, SIDE POST</b> Neg, 6 Cylinder Note: 6 Cylinder Items Are Not Returnable.	\$74.00	
40815	1976	<b>BATTERY CABLE, SIDE POST</b> Neg, V/8	\$74.00	
40850	1977	<b>BATTERY CABLE, SIDE POST</b> Neg, V/6, Without Power Steering	\$74.00	
40854	1977	<b>BATTERY CABLE, SIDE POST</b> Neg, V/6, With Power Steering	\$74.00	

Part Number	Year	Description	Price	*Rev.
40815	1977	BATTERY CABLE, SIDE POST Neg, V/8	\$74.00	
<b>BATTERY CABLE-POSITIVE</b>				
03475	1961	BATTERY CABLE, SPRING RING Pos, 4 Cylinder	\$69.00	
03540	1961	BATTERY CABLE, SPRING RING Pos, V/8	\$69.00	
03530	1961	BATTERY CABLE, SPRING RING Pos, V/8, With Air Conditioning	\$69.00	
03475	1962	BATTERY CABLE, SPRING RING Pos, 4 Cylinder	\$69.00	
03540	1962	BATTERY CABLE, SPRING RING Pos, V/8, Without 35 Amp Gen	\$69.00	
03760	1962	BATTERY CABLE, SPRING RING Pos, V/8, With 35 Amp Gen	\$69.00	
03530	1962	BATTERY CABLE, SPRING RING Pos, V/8, With Air Conditioning	\$69.00	
03475	1963	BATTERY CABLE, SPRING RING Pos, 4 Cylinder	\$69.00	
04115	1963	BATTERY CABLE, SPRING RING Pos, 4 Cylinder, With Heavy Duty Battery	\$69.00	
04085	1963	BATTERY CABLE, SPRING RING Pos, V/8, Except 421 Super Duty	\$69.00	
04260	1963	BATTERY CABLE, SPRING RING Pos, V/8, With Heavy Duty Battery, Except 421 Super Duty	\$69.00	
04390	1963	BATTERY CABLE, SPRING RING Pos, 421 Super Duty	\$69.00	
04635	1964	BATTERY CABLE, SPRING RING Pos, 6 Cylinder Note: 6 Cylinder Items Are Not Returnable.	\$69.00	
05370	1964	BATTERY CABLE, SPRING RING Pos, V/8, Battery To Fender Mounted Junction Block	\$69.00	
04190	1965	BATTERY CABLE, SPRING RING Pos, 6 Cylinder Note: 6 Cylinder Items Are Not Returnable.	\$69.00	
09145	1965	BATTERY CABLE, SPRING RING Pos, V/8, Without Power Options	\$69.00	
09150	1965	BATTERY CABLE, SPRING RING Pos, V/8, With Power Options	\$69.00	
04190	1966	BATTERY CABLE, SPRING RING Pos, 6 Cylinder Note: 6 Cylinder Items Are Not Returnable.	\$69.00	
09145	1966	BATTERY CABLE, SPRING RING Pos, V/8, Without Power Options	\$69.00	
09150	1966	BATTERY CABLE, SPRING RING Pos, V/8, With Power Options	\$69.00	
04190	1967	BATTERY CABLE, SPRING RING Pos, 6 Cylinder Note: 6 Cylinder Items Are Not Returnable.	\$69.00	
09145	1967	BATTERY CABLE, SPRING RING Pos, V/8, Without Power Options	\$69.00	
09880	1967	BATTERY CABLE, SPRING RING Pos, V/8, Without Power Options & With H.O. Ram Air	\$69.00	
09150	1967	BATTERY CABLE, SPRING RING Pos, V/8, With Power Options	\$69.00	
09885	1967	BATTERY CABLE, SPRING RING Pos, V/8, With Power Options & H.O. Ram Air	\$69.00	
09110	1968	BATTERY CABLE, SPRING RING Pos, 6 Cylinder Note: 6 Cylinder Items Are Not Returnable.	\$69.00	
09895	1968	BATTERY CABLE, SPRING RING Pos, V/8, Without H.O. Ram Air	\$69.00	
22185	1968	BATTERY CABLE, SPRING RING Pos, V/8, With H.O. Ram Air	\$69.00	
09110	1969	BATTERY CABLE, SPRING RING Pos, 6 Cylinder Note: 6 Cylinder Items Are Not Returnable.	\$69.00	
04195	1969	BATTERY CABLE, SPRING RING Pos, V/8, Without H.O. Ram Air	\$69.00	
13320	1969	BATTERY CABLE, SPRING RING Pos, V/8, With H.O. Ram Air	\$69.00	
09110	1970	BATTERY CABLE, SPRING RING Pos, 6 Cylinder Note: 6 Cylinder Items Are Not Returnable.	\$69.00	
13660	1970	BATTERY CABLE, SIDE POST Pos, V/8	\$74.00	
14590	1970	BATTERY CABLE, SPRING RING Pos, V/8, Without Ram Air	\$69.00	
04195	1970	BATTERY CABLE, SPRING RING Pos, V/8, With Ram Air	\$69.00	
09110	1971	BATTERY CABLE, SPRING RING Pos, 6 Cylinder Note: 6 Cylinder Items Are Not Returnable.	\$69.00	
40148	1971	BATTERY CABLE, SPRING RING Pos, V/8, Except 455 Ci	\$69.00	

Part Number	Year	Description	Price	*Rev.
40583	1971	<b>BATTERY CABLE, SPRING RING</b> Pos, V/8, With Heavy Duty Battery, Except 455 Ci	\$69.00	
40581	1971	<b>BATTERY CABLE, SPRING RING</b> Pos, V/8, 455 H.O.	\$69.00	
39349	1971	<b>BATTERY CABLE, SIDE POST</b> Pos, V/8, 455 H.O., With Heavy Duty Battery	\$74.00	
40582	1971	<b>BATTERY CABLE, SIDE POST</b> Pos, V/8, 455 Ci, With Heavy Duty Battery	\$74.00	
09110	1972	<b>BATTERY CABLE, SPRING RING</b> Pos, 6 Cylinder Note: 6 Cylinder Items Are Not Returnable.	\$69.00	
16100	1972	<b>BATTERY CABLE, SPRING RING</b> Pos, 6 Cylinder, With A/C Note: 6 Cylinder Items Are Not Returnable.	\$69.00	
39516	1972	<b>BATTERY CABLE, SPRING RING</b> Pos, V/8	\$69.00	
40588	1972	<b>BATTERY CABLE, SPRING RING</b> Pos, V/8, 455 H.O.	\$69.00	
38426	1972	<b>BATTERY CABLE, SIDE POST</b> Pos, V/8, 455ci, With Heavy Duty Battery	\$74.00	
40586	1973	<b>BATTERY CABLE, SIDE POST</b> Pos, 6 Cylinder Note: 6 Cylinder Items Are Not Returnable.	\$74.00	
22650	1973	<b>BATTERY CABLE, SIDE POST</b> Pos, 6 Cylinder, Ventura Note: 6 Cylinder Items Are Not Returnable.	\$74.00	
40149	1973	<b>BATTERY CABLE, SIDE POST</b> Pos, V/8 350 C.I.	\$74.00	
40590	1973	<b>BATTERY CABLE, SIDE POST</b> Pos, V/8 455 C.I.	\$74.00	
40586	1974	<b>BATTERY CABLE, SIDE POST</b> Pos, 6 Cylinder Note: 6 Cylinder Items Are Not Returnable.	\$74.00	
22650	1974	<b>BATTERY CABLE, SIDE POST</b> Pos, 6 Cylinder, Ventura Note: 6 Cylinder Items Are Not Returnable.	\$74.00	
40149	1974	<b>BATTERY CABLE, SIDE POST</b> Pos, V/8, 350 C.I.	\$74.00	
40590	1974	<b>BATTERY CABLE, SIDE POST</b> Pos, V/8, 455 C.I.	\$74.00	
40817	1975	<b>BATTERY CABLE, SIDE POST</b> Pos, 6 Cylinder Note: 6 Cylinder Items Are Not Returnable.	\$74.00	
40692	1975	<b>BATTERY CABLE, SIDE POST</b> Pos, 350 & 400 C.I., Without Heavy Duty Battery	\$74.00	
40693	1975	<b>BATTERY CABLE, SIDE POST</b> Pos, 350, 400 & 455 C.I., With Heavy Duty Battery	\$74.00	
40817	1976	<b>BATTERY CABLE, SIDE POST</b> Pos, 6 Cylinder Note: 6 Cylinder Items Are Not Returnable.	\$74.00	
40692	1976	<b>BATTERY CABLE, SIDE POST</b> Pos, 350 & 400 C.I., Without Heavy Duty Battery	\$74.00	
40693	1976	<b>BATTERY CABLE, SIDE POST</b> Pos, 350, 400 & 455 C.I., With Heavy Duty Battery	\$74.00	
22960	1976	<b>BATTERY CABLE, SIDE POST</b> Pos, V/8 260 C.I., With Manual Trans	\$74.00	
40844	1976	<b>BATTERY CABLE, SIDE POST</b> Pos, V/8 260 C.I., With Auto Trans	\$74.00	
40849	1977	<b>BATTERY CABLE, SIDE POST</b> Pos, V/6, Without Power Steering	\$74.00	
40853	1977	<b>BATTERY CABLE, SIDE POST</b> Pos, V/6, With Power Steering	\$74.00	
40851	1977	<b>BATTERY CABLE, SIDE POST</b> Pos, 350 & 403 V/8 Oldsmobile Engine	\$74.00	
40855	1977	<b>BATTERY CABLE, SIDE POST</b> Pos, 301, 350 & 400 V/8 Pontiac Engine	\$74.00	
<b>BREAKERLESS SE SINGLE WIRE ELECTRONIC IGNITION</b>				
38131	1961	<b>BREAKERLESS SE SINGLE WIRE ELECTRONIC IGNITION KIT</b> For 1957-74 Breaker Point Distributors With Windowed Type Distributor Cap	\$179.00	
38131	1962	<b>BREAKERLESS SE SINGLE WIRE ELECTRONIC IGNITION KIT</b> For 1957-74 Breaker Point Distributors With Windowed Type Distributor Cap	\$179.00	
38131	1963	<b>BREAKERLESS SE SINGLE WIRE ELECTRONIC IGNITION KIT</b> For 1957-74 Breaker Point Distributors With Windowed Type Distributor Cap	\$179.00	
38131	1964	<b>BREAKERLESS SE SINGLE WIRE ELECTRONIC IGNITION KIT</b> For 1957-74 Breaker Point Distributors With Windowed Type Distributor Cap	\$179.00	
38131	1965	<b>BREAKERLESS SE SINGLE WIRE ELECTRONIC IGNITION KIT</b> For 1957-74 Breaker Point Distributors With Windowed Type Distributor Cap	\$179.00	



Part Number	Year	Description	Price	*Rev.
38131	1966	<b>BREAKERLESS SE SINGLE WIRE ELECTRONIC IGNITION KIT</b> For 1957-74 Breaker Point Distributors With Windowed Type Distributor Cap	\$179.00	
38131	1967	<b>BREAKERLESS SE SINGLE WIRE ELECTRONIC IGNITION KIT</b> For 1957-74 Breaker Point Distributors With Windowed Type Distributor Cap	\$179.00	
38131	1968	<b>BREAKERLESS SE SINGLE WIRE ELECTRONIC IGNITION KIT</b> For 1957-74 Breaker Point Distributors With Windowed Type Distributor Cap	\$179.00	
38131	1969	<b>BREAKERLESS SE SINGLE WIRE ELECTRONIC IGNITION KIT</b> For 1957-74 Breaker Point Distributors With Windowed Type Distributor Cap	\$179.00	
38131	1970	<b>BREAKERLESS SE SINGLE WIRE ELECTRONIC IGNITION KIT</b> For 1957-74 Breaker Point Distributors With Windowed Type Distributor Cap	\$179.00	
38131	1971	<b>BREAKERLESS SE SINGLE WIRE ELECTRONIC IGNITION KIT</b> For 1957-74 Breaker Point Distributors With Windowed Type Distributor Cap	\$179.00	
38131	1972	<b>BREAKERLESS SE SINGLE WIRE ELECTRONIC IGNITION KIT</b> For 1957-74 Breaker Point Distributors With Windowed Type Distributor Cap	\$179.00	
38131	1973	<b>BREAKERLESS SE SINGLE WIRE ELECTRONIC IGNITION KIT</b> For 1957-74 Breaker Point Distributors With Windowed Type Distributor Cap	\$179.00	
38131	1974	<b>BREAKERLESS SE SINGLE WIRE ELECTRONIC IGNITION KIT</b> For 1957-74 Breaker Point Distributors With Windowed Type Distributor Cap	\$179.00	
<b>CIGARETTE LIGHTER LAMP HARNESS</b>				
40592	1971	<b>CIGARETTE LIGHTER LAMP HARNESS</b> All	\$26.00	
<b>CIGARETTE LIGHTER LAMP WIRE</b>				
12440	1968	<b>CIGARETTE LIGHTER LAMP WIRE</b>	\$15.00	
<b>CIRCUIT BREAKER</b>				
04849850	1963	<b>CIRCUIT BREAKER, 40 AMP</b> Power Seat	\$14.00	
<b>CLOCK HARNESS</b>				
40474	1963	<b>CLOCK HARNESS</b> Dash Mounted	\$59.00	
04615	1964	<b>CLOCK HARNESS</b> Dash Mounted	\$53.00	
06065	1965	<b>CLOCK HARNESS</b> Dash Mounted	\$53.00	
09600	1966	<b>CLOCK HARNESS</b> Dash Mounted	\$43.00	
09600	1967	<b>CLOCK HARNESS</b> Dash Mounted	\$43.00	
01365	1971	<b>CLOCK HARNESS</b> Ventura, Dash Mounted	\$26.00	
01365	1972	<b>CLOCK HARNESS</b> Ventura, Dash Mounted	\$26.00	
01365	1973	<b>CLOCK HARNESS</b> Ventura, Dash Mounted	\$26.00	
01365	1974	<b>CLOCK HARNESS</b> Ventura, Dash Mounted	\$26.00	
<b>CONSOLE EXTENSION HARNESS</b>				
40164	1964	<b>CONSOLE EXTENSION HARNESS</b> Manual Trans, Connects Console Harness To Console Jumper Harness	\$40.00	
30180	1964	<b>CONSOLE EXTENSION HARNESS</b> Auto Trans, Dash To Console Harness	\$87.00	
30180	1965	<b>CONSOLE EXTENSION HARNESS</b> Auto Trans, Dash To Console Harness	\$87.00	
30185	1965	<b>CONSOLE EXTENSION HARNESS</b> Manual Trans, Dash To Console Harness	\$43.00	
30190	1966	<b>CONSOLE EXTENSION HARNESS</b> Auto Trans, Dash To Console Harness	\$87.00	
30195	1966	<b>CONSOLE EXTENSION HARNESS</b> Manual Trans, Dash To Console Harness	\$43.00	
30190	1967	<b>CONSOLE EXTENSION HARNESS</b> Auto Trans, Dash To Console Harness	\$87.00	
30200	1967	<b>CONSOLE EXTENSION HARNESS</b> Manual Trans, Dash To Console Harness	\$43.00	
<b>CONSOLE HARNESS</b>				
40473	1963	<b>CONSOLE HARNESS</b> Auto Trans, Floor Console To Dash Harness	\$87.00	
40162	1964	<b>CONSOLE HARNESS</b> All, With Courtesy Lamp Switch, Floor Console To Extension Harness	\$49.00	
12275	1964	<b>CONSOLE HARNESS</b> All, Without Courtesy Lamp Switch, Floor Console To Extension Harness	\$49.00	

Part Number	Year	Description	Price	*Rev.
12275	1965	<b>CONSOLE HARNESS</b> All, Floor Console To Extension Harness	\$49.00	
12275	1966	<b>CONSOLE HARNESS</b> All, Floor Console To Extension Harness	\$49.00	
12275	1967	<b>CONSOLE HARNESS</b> All, Floor Console To Extension Harness	\$49.00	
11600	1968	<b>CONSOLE HARNESS</b> Auto Trans, Floor Console To Dash Harness	\$87.00	
11610	1968	<b>CONSOLE HARNESS</b> Manual Trans, Floor Console To Dash Harness	\$27.00	
13305	1969	<b>CONSOLE HARNESS</b> Auto Trans, Floor Console To Dash Harness	\$26.00	
13305	1970	<b>CONSOLE HARNESS</b> Auto Trans, Floor Console To Dash Harness	\$26.00	
13305	1971	<b>CONSOLE HARNESS</b> Auto Trans, Floor Console To Dash Harness	\$26.00	
01355	1971	<b>CONSOLE HARNESS</b> Ventura, With Console Gauges, Floor Console To Dash Harness	\$65.00	
13305	1972	<b>CONSOLE HARNESS</b> Auto Trans, Floor Console To Dash Harness	\$26.00	
01355	1972	<b>CONSOLE HARNESS</b> Ventura, With Console Gauges, Floor Console To Dash Harness	\$65.00	
40622	1973	<b>CONSOLE HARNESS</b> Auto Trans, Floor Console To Dash Harness	\$52.00	
40622	1974	<b>CONSOLE HARNESS</b> Auto Trans, Floor Console To Dash Harness	\$52.00	
40153	1974	<b>CONSOLE HARNESS</b> Ventura, With Gauges, Floor Console To Dash Harness	\$74.00	
40622	1975	<b>CONSOLE HARNESS</b> Auto Trans, Floor Console To Dash Harness	\$52.00	
40622	1976	<b>CONSOLE HARNESS</b> Auto Trans, Floor Console To Dash Harness	\$52.00	
40622	1977	<b>CONSOLE HARNESS</b> Auto Trans, Floor Console To Dash Harness	\$52.00	
<b>CONSOLE JUMPER HARNESS</b>				
40163	1964	<b>CONSOLE JUMPER HARNESS</b> Manual Trans, Connects Dash Harness To Console Extension Harness	\$40.00	
<b>CONSOLE SHIFT INDICATOR LAMP HARNESS</b>				
40472	1963	<b>CONSOLE SHIFT INDICATOR LAMP HARNESS</b> Auto Trans, Console Harness To Shift Indicator Plate	\$41.00	
<b>COURTESY LAMP HARNESS</b>				
40494	1961	<b>COURTESY LAMP HARNESS</b> Center Roof Mounted Dome Lamp	\$38.00	
40458	1962	<b>COURTESY LAMP HARNESS</b> Under Dash	\$60.00	
40456	1962	<b>COURTESY LAMP HARNESS</b> Door Jamb Switches To Dome Lamp Ground Wire In Dash Harness	\$46.00	
		Note: For Use With Center Roof Mounted Dome Lamp.		
40494	1962	<b>COURTESY LAMP HARNESS</b> Center Roof Mounted Dome Lamp	\$38.00	
40494	1963	<b>COURTESY LAMP HARNESS</b> Center Roof Mounted Dome Lamp	\$38.00	
40478	1963	<b>COURTESY LAMP HARNESS</b> Under Dash, Convertible	\$60.00	
40456	1963	<b>COURTESY LAMP HARNESS</b> Door Jamb Switches To Dome Lamp Ground Wire In Dash Harness	\$46.00	
		Note: For Use With Center Roof Mounted Dome Lamp.		
40458	1963	<b>COURTESY LAMP HARNESS</b> Under Dash, Coupe	\$60.00	
40480	1964	<b>COURTESY LAMP HARNESS</b> Under Dash	\$38.00	
37207	1964	<b>COURTESY LAMP HARNESS</b> Safari 4 Door Wagon, Roof Mounted Dome Lamp, With Rear Door Jamb Switch Option	\$48.00	
37208	1964	<b>COURTESY LAMP HARNESS</b> Safari 4 Door Wagon, Rear Door Jamb Switches To Roof Mounted Dome Lamp Harness	\$48.00	
07055	1964	<b>COURTESY LAMP HARNESS</b> Tempest 4 Door Sedan, Rear Door Jamb Switches To Roof Mounted Dome Lamp Harness	\$48.00	
06885	1964	<b>COURTESY LAMP HARNESS</b> Center Roof Mounted Dome Lamp, All, Without Reading Lamp	\$33.00	
30210	1964	<b>COURTESY LAMP HARNESS</b> Center Roof Mounted Dome Lamp, All, With Reading Lamp	\$48.00	
06880	1964	<b>COURTESY LAMP HARNESS</b> Center Roof Mounted Dome Lamp, Tempest 4 Door Sedan	\$34.00	
07100	1964	<b>COURTESY LAMP HARNESS</b> Safari 4 Door Wagon, Center Roof Mounted Dome Lamp	\$35.00	
		Note: Customer Must Reuse Their Original Plastic Connector.		
39478	1965	<b>COURTESY LAMP HARNESS</b> Underdash, All	\$38.00	

Part Number	Year	Description	Price	*Rev.
07835	1965	<b>COURTESY LAMP HARNESS</b> Center Roof Mounted Dome Lamp, Tempest Wagons, Without Rear Door Jamb Switches Note: Customer Must Reuse Their Original Plastic Connector.	\$40.00	
07865	1965	<b>COURTESY LAMP HARNESS</b> Center Roof Mounted Dome Lamp, Tempest Wagons, With Rear Door Jamb Switches Note: Customer Must Reuse Their Original Plastic Connector.	\$43.00	
07650	1965	<b>COURTESY LAMP HARNESS</b> Rear Door Jamb Switches To Roof Mounted Dome Lamp Harness, All 4 Door Sedans	\$48.00	
07880	1965	<b>COURTESY LAMP HARNESS</b> Rear Door Jamb Switches To Roof Mounted Dome Lamp Harness, Tempest Wagons	\$48.00	
07575	1965	<b>COURTESY LAMP HARNESS</b> Center Roof Mounted Dome Lamp, All 4 Door Sedans	\$40.00	
07580	1965	<b>COURTESY LAMP HARNESS</b> Center Roof Mounted Dome Lamp, All Tempest Coupes	\$33.00	
40496	1966	<b>COURTESY LAMP HARNESS</b> Underdash, All	\$38.00	
07835	1966	<b>COURTESY LAMP HARNESS</b> Center Roof Mounted Dome Lamp, Tempest Wagons, Without Rear Door Jamb Switches Note: Customer Must Reuse Their Original Plastic Connector.	\$40.00	
07865	1966	<b>COURTESY LAMP HARNESS</b> Center Roof Mounted Dome Lamp, Tempest Wagons, With Rear Door Jamb Switches Note: Customer Must Reuse Their Original Plastic Connector.	\$43.00	
40152	1966	<b>COURTESY LAMP HARNESS</b> Coupe & Sedan, With Side Roof Rail /Reading Lamps	\$83.00	
40490	1966	<b>COURTESY LAMP HARNESS</b> Tempest Wagons, With Side Roof Rail /Reading Lamps	\$74.00	
17590	1966	<b>COURTESY LAMP HARNESS</b> Center Roof Mounted Dome Lamp, All 4 Door Sedans, Without Side Roof Rail /Reading Lamps	\$33.00	
17600	1966	<b>COURTESY LAMP HARNESS</b> Center Roof Mounted Dome Lamp, All Coupe & Sedans, Without Side Roof Rail /Reading Lamps	\$27.00	
07650	1966	<b>COURTESY LAMP HARNESS</b> Rear Door Jamb Switches To Dome Lamp Harness, All 4 Door Sedan & Hardtop	\$48.00	
07880	1966	<b>COURTESY LAMP HARNESS</b> Rear Door Jamb Switches To Dome Lamp Harness, All Tempest Wagons	\$48.00	
39352	1967	<b>COURTESY LAMP HARNESS</b> Under Dash, Without Tape Player	\$38.00	
40504	1967	<b>COURTESY LAMP HARNESS</b> Under Dash, With Tape Player	\$43.00	
07835	1967	<b>COURTESY LAMP HARNESS</b> Center Roof Mounted Dome Lamp, Tempest Wagons, Without Rear Door Jamb Switches Note: Customer Must Reuse Their Original Plastic Connector.	\$40.00	
07865	1967	<b>COURTESY LAMP HARNESS</b> Center Roof Mounted Dome Lamp, Tempest Wagons, With Rear Door Jamb Switches Note: Customer Must Reuse Their Original Plastic Connector.	\$43.00	
40152	1967	<b>COURTESY LAMP HARNESS</b> Coupe & Sedan, With Side Roof Rail /Reading Lamps	\$83.00	
40490	1967	<b>COURTESY LAMP HARNESS</b> Tempest Wagons, With Side Roof Rail /Reading Lamps	\$74.00	
17590	1967	<b>COURTESY LAMP HARNESS</b> Center Roof Mounted Dome Lamp, All 4 Door Sedans, Without Side Roof Rail /Reading Lamps	\$33.00	
17600	1967	<b>COURTESY LAMP HARNESS</b> Center Roof Mounted Dome Lamp, All Coupe & Sedans, Without Side Roof Rail /Reading Lamps	\$27.00	
07650	1967	<b>COURTESY LAMP HARNESS</b> Rear Door Jamb Switches To Dome Lamp Harness, All 4 Door Sedan & Hardtop	\$48.00	
07880	1967	<b>COURTESY LAMP HARNESS</b> Rear Door Jamb Switches To Dome Lamp Harness, All Tempest Wagons	\$48.00	
40526	1968	<b>COURTESY LAMP HARNESS</b> Center Roof Mounted Dome Lamp, 4 Door Hardtop & Sedans	\$46.00	
30205	1968	<b>COURTESY LAMP HARNESS</b> Center Roof Mounted Dome Lamp, All Coupes & Wagons	\$30.00	
39352	1969	<b>COURTESY LAMP HARNESS</b> Under Dash, Without Tape Player, Console, Or Air Conditioning	\$38.00	
39341	1969	<b>COURTESY LAMP HARNESS</b> Under Dash, With Tape Player, Console, Or Air Conditioning	\$46.00	
40523	1969	<b>COURTESY LAMP HARNESS</b> Rear Door Jamb Switches To Dome Lamp Harness, All 4 Door Sedan & Hardtop	\$46.00	

Part Number	Year	Description	Price	*Rev.
40544	1969	<b>COURTESY LAMP HARNESS</b> Center Roof Mounted Dome Lamp, 2 Door Coupe, With Reading Lamp	\$46.00	
30780	1969	<b>COURTESY LAMP HARNESS</b> Center Roof Mounted Dome Lamp, 4 Door Sedan, With Reading Lamp	\$46.00	
40545	1969	<b>COURTESY LAMP HARNESS</b> Center Roof Mounted Dome Lamp, 4 Door Hardtop, With Reading Lamp	\$46.00	
40547	1969	<b>COURTESY LAMP HARNESS</b> Center Roof Mounted Dome Lamp, 2 Door Coupe, Without Reading Lamp	\$46.00	
30945	1969	<b>COURTESY LAMP HARNESS</b> Center Roof Mounted Dome Lamp, 4 Door Sedan, Without Reading Lamp	\$46.00	
30950	1969	<b>COURTESY LAMP HARNESS</b> Center Roof Mounted Dome Lamp, 4 Door Hardtop, Without Reading Lamp	\$46.00	
30205	1969	<b>COURTESY LAMP HARNESS</b> Center Roof Mounted Dome Lamp, All Wagons, Without Reading Lamp	\$30.00	
39341	1970	<b>COURTESY LAMP HARNESS</b> Under Dash,	\$46.00	
40545	1970	<b>COURTESY LAMP HARNESS</b> Center Roof Mounted Dome Lamp, All, With Reading Lamp	\$46.00	
40547	1970	<b>COURTESY LAMP HARNESS</b> Center Roof Mounted Dome Lamp, Coupe, Without Reading Lamp	\$46.00	
30950	1970	<b>COURTESY LAMP HARNESS</b> Center Roof Mounted Dome Lamp, 4 Door, Without Reading Lamp	\$46.00	
30205	1970	<b>COURTESY LAMP HARNESS</b> Center Roof Mounted Dome Lamp, All Wagons, Without Reading Lamp	\$30.00	
40575	1971	<b>COURTESY LAMP HARNESS</b> Under Dash	\$78.00	
40545	1971	<b>COURTESY LAMP HARNESS</b> Center Roof Mounted Dome Lamp, All, With Reading Lamp	\$46.00	
30950	1971	<b>COURTESY LAMP HARNESS</b> Center Roof Mounted Dome Lamp, All Hard Tops & Coupes, Without Reading Lamp	\$46.00	
40738	1971	<b>COURTESY LAMP HARNESS</b> All, Reading Lamp To Dome Lamp Harness	\$27.00	
30205	1971	<b>COURTESY LAMP HARNESS</b> Center Roof Mounted Dome Lamp, All Wagons, Without Reading Lamp	\$30.00	
40559	1971	<b>COURTESY LAMP HARNESS</b> Ventura, 4 Door, Center Roof Mounted Dome Lamp	\$48.00	
40155	1971	<b>COURTESY LAMP HARNESS</b> Ventura, 2 Door, Center Roof Mounted Dome Lamp	\$40.00	
40575	1972	<b>COURTESY LAMP HARNESS</b> Under Dash, Convertible	\$78.00	
40545	1972	<b>COURTESY LAMP HARNESS</b> Center Roof Mounted Dome Lamp, All, With Reading Lamp	\$46.00	
30950	1972	<b>COURTESY LAMP HARNESS</b> Center Roof Mounted Dome Lamp, All Hard Tops & Coupes, Without Reading Lamp	\$46.00	
40738	1972	<b>COURTESY LAMP HARNESS</b> All, Reading Lamp To Dome Lamp Harness	\$27.00	
30205	1972	<b>COURTESY LAMP HARNESS</b> Center Roof Mounted Dome Lamp, All Wagons, Without Reading Lamp	\$30.00	
40559	1972	<b>COURTESY LAMP HARNESS</b> Ventura, 4 Door, Center Roof Mounted Dome Lamp	\$48.00	
40155	1972	<b>COURTESY LAMP HARNESS</b> Ventura, 2 Door, Center Roof Mounted Dome Lamp	\$40.00	
40624	1973	<b>COURTESY LAMP HARNESS</b> Under Dash, Driver Side	\$43.00	
40618	1973	<b>COURTESY LAMP HARNESS</b> Under Dash, Passenger Side, Without Electric Trunk Release	\$67.00	
40620	1973	<b>COURTESY LAMP HARNESS</b> Under Dash, Passenger Side, With Electric Trunk Release	\$67.00	
40654	1973	<b>COURTESY LAMP HARNESS</b> Under Dash, Passenger Side, With Ash Tray Lamp	\$67.00	
40655	1973	<b>COURTESY LAMP HARNESS</b> Under Dash, Passenger Side, Without Ash Tray Lamp	\$67.00	
40765	1973	<b>COURTESY LAMP HARNESS</b> All, Wagon, Without Reading Lamp, Center Roof Mounted Dome Lamp	\$48.00	
40766	1973	<b>COURTESY LAMP HARNESS</b> All, Except Wagon, Without Reading Lamp, Center Roof Mounted Dome Lamp	\$35.00	
40769	1973	<b>COURTESY LAMP HARNESS</b> All, Wagon, With Reading Lamp, Center Roof Mounted Dome Lamp	\$43.00	
40698	1973	<b>COURTESY LAMP HARNESS</b> All, Wagon, Rear Header Courtesy Lamp	\$33.00	

Part Number	Year	Description	Price	*Rev.
40559	1973	<b>COURTESY LAMP HARNESS</b> Ventura, 4 Door, Center Roof Mounted Dome Lamp	\$48.00	
39513	1973	<b>COURTESY LAMP HARNESS</b> Ventura, 2 Door Sedan, Center Roof Mounted Dome Lamp	\$45.00	
40728	1973	<b>COURTESY LAMP HARNESS</b> Ventura, 2 Door Hatch Back, Center Roof Mounted Dome Lamp (Includes Rear Compartment Lamp Wiring)	\$77.00	
40726	1973	<b>COURTESY LAMP HARNESS</b> 2 Door Hatch Back, Rear Compartment Lamp	\$27.00	
40620	1974	<b>COURTESY LAMP HARNESS</b> Under Dash, Passenger Side, With Electric Trunk Release	\$67.00	
40624	1974	<b>COURTESY LAMP HARNESS</b> Under Dash, Driver Side	\$43.00	
40654	1974	<b>COURTESY LAMP HARNESS</b> Under Dash, Passenger Side, With Ash Tray Lamp	\$67.00	
40655	1974	<b>COURTESY LAMP HARNESS</b> Under Dash, Passenger Side, Without Ash Tray Lamp	\$67.00	
40780	1974	<b>COURTESY LAMP HARNESS</b> 4 Door Hardtop & Wagon, Rear Door Jamb Switch To Front Door Jamb Switch, (2 Required Per Car )	\$27.00	
40766	1974	<b>COURTESY LAMP HARNESS</b> All, Except Wagon, Without Reading Lamp, Center Roof Mounted Dome Lamp	\$35.00	
40698	1974	<b>COURTESY LAMP HARNESS</b> All, Wagon, Rear Header Courtesy Lamp	\$33.00	
40530	1974	<b>COURTESY LAMP HARNESS</b> Ventura, 4 Door, Rear Door Jamb Switch Wiring	\$43.00	
40559	1974	<b>COURTESY LAMP HARNESS</b> Ventura, 4 Door, Center Roof Mounted Dome Lamp	\$48.00	
39513	1974	<b>COURTESY LAMP HARNESS</b> Ventura, 2 Door Sedan, Center Roof Mounted Dome Lamp	\$45.00	
40620	1975	<b>COURTESY LAMP HARNESS</b> Under Dash, Passenger Side, With Electric Trunk Release	\$67.00	
40624	1975	<b>COURTESY LAMP HARNESS</b> Under Dash, Driver Side	\$43.00	
40654	1975	<b>COURTESY LAMP HARNESS</b> Under Dash, Passenger Side, With Ash Tray Lamp	\$67.00	
40655	1975	<b>COURTESY LAMP HARNESS</b> Under Dash, Passenger Side, Without Ash Tray Lamp	\$67.00	
40780	1975	<b>COURTESY LAMP HARNESS</b> 4 Door Hardtop & Wagon, Rear Door Jamb Switch To Front Door Jamb Switch, (2 Required Per Car )	\$27.00	
40766	1975	<b>COURTESY LAMP HARNESS</b> All, Except Wagon, Without Reading Lamp, Center Roof Mounted Dome Lamp	\$35.00	
40400	1975	<b>COURTESY LAMP HARNESS</b> Wagon, With Reading Lamp, Center Roof Mounted Dome Lamp	\$66.00	
40401	1975	<b>COURTESY LAMP HARNESS</b> All, Except Wagon, With Reading Lamp, Center Roof Mounted Dome Lamp	\$43.00	
40415	1975	<b>COURTESY LAMP HARNESS</b> All, Wagon, Rear Header Courtesy Lamp	\$33.00	
40624	1976	<b>COURTESY LAMP HARNESS</b> Under Dash, Driver Side	\$43.00	
40780	1976	<b>COURTESY LAMP HARNESS</b> 4 Door Hardtop & Wagon, Rear Door Jamb Switch To Front Door Jamb Switch, (2 Required Per Car )	\$27.00	
40766	1976	<b>COURTESY LAMP HARNESS</b> All, Except Wagon, Without Reading Lamp, Center Roof Mounted Dome Lamp	\$35.00	
40400	1976	<b>COURTESY LAMP HARNESS</b> Wagon, With Reading Lamp, Center Roof Mounted Dome Lamp	\$66.00	
40401	1976	<b>COURTESY LAMP HARNESS</b> All, Except Wagon, With Reading Lamp, Center Roof Mounted Dome Lamp	\$43.00	
40415	1976	<b>COURTESY LAMP HARNESS</b> All, Wagon, Rear Header Courtesy Lamp	\$33.00	
40780	1977	<b>COURTESY LAMP HARNESS</b> 4 Door Hardtop & Wagon, Rear Door Jamb Switch To Front Door Jamb Switch, (2 Required Per Car )	\$27.00	
40766	1977	<b>COURTESY LAMP HARNESS</b> All, Except Wagon, Without Reading Lamp, Center Roof Mounted Dome Lamp	\$35.00	
40400	1977	<b>COURTESY LAMP HARNESS</b> Wagon, With Reading Lamp, Center Roof Mounted Dome Lamp	\$66.00	
40401	1977	<b>COURTESY LAMP HARNESS</b> All, Except Wagon, With Reading Lamp, Center Roof Mounted Dome Lamp	\$43.00	
40415	1977	<b>COURTESY LAMP HARNESS</b> All, Wagon, Rear Header Courtesy Lamp	\$33.00	
<b>COURTESY LAMP JUMPER WIRE</b>				
40505	1968	<b>COURTESY LAMP JUMPER WIRE</b> Convertible Only	\$26.00	

Part Number	Year	Description	Price	*Rev.
<b>COURTESY LAMP REPAIR PIGTAIL</b>				
43896	1964	<b>COURTESY LAMP REPAIR PIGTAIL</b> Convertible, 1/4 Arm Rest Courtesy Lamp, Includes Socket And 6" Of 18 Gauge, Orange & White Wire. 2 Required Per Car. Note: Original Wire Was 18 Gauge, Sometimes With A Heavy Wall Type Insulation. Repair Pigtail Is Also 18 Gauge, But Today's Insulation Is Of Much Higher Quality, And May Not Be As Thick As Some Original Cables.	\$17.00	
43896	1965	<b>COURTESY LAMP REPAIR PIGTAIL</b> Convertible, 1/4 Arm Rest Courtesy Lamp, Includes Socket And 6" Of 18 Gauge, Orange & White Wire. 2 Required Per Car. Note: Original Wire Was 18 Gauge, Sometimes With A Heavy Wall Type Insulation. Repair Pigtail Is Also 18 Gauge, But Today's Insulation Is Of Much Higher Quality, And May Not Be As Thick As Some Original Cables.	\$17.00	
43896	1966	<b>COURTESY LAMP REPAIR PIGTAIL</b> Convertible, 1/4 Arm Rest Courtesy Lamp, Includes Socket And 6" Of 18 Gauge, Orange & White Wire. 2 Required Per Car. Note: Original Wire Was 18 Gauge, Sometimes With A Heavy Wall Type Insulation. Repair Pigtail Is Also 18 Gauge, But Today's Insulation Is Of Much Higher Quality, And May Not Be As Thick As Some Original Cables.	\$17.00	
43896	1967	<b>COURTESY LAMP REPAIR PIGTAIL</b> Convertible, 1/4 Arm Rest Courtesy Lamp, Includes Socket And 6" Of 18 Gauge, Orange & White Wire. 2 Required Per Car. Note: Original Wire Was 18 Gauge, Sometimes With A Heavy Wall Type Insulation. Repair Pigtail Is Also 18 Gauge, But Today's Insulation Is Of Much Higher Quality, And May Not Be As Thick As Some Original Cables.	\$17.00	
43896	1968	<b>COURTESY LAMP REPAIR PIGTAIL</b> Convertible, 1/4 Arm Rest Courtesy Lamp, Includes Socket And 6" Of 18 Gauge, Orange & White Wire. 2 Required Per Car. Note: Original Wire Was 18 Gauge, Sometimes With A Heavy Wall Type Insulation. Repair Pigtail Is Also 18 Gauge, But Today's Insulation Is Of Much Higher Quality, And May Not Be As Thick As Some Original Cables.	\$17.00	
43896	1969	<b>COURTESY LAMP REPAIR PIGTAIL</b> Convertible, 1/4 Arm Rest Courtesy Lamp, Includes Socket And 6" Of 18 Gauge, Orange & White Wire. 2 Required Per Car. Note: Original Wire Was 18 Gauge, Sometimes With A Heavy Wall Type Insulation. Repair Pigtail Is Also 18 Gauge, But Today's Insulation Is Of Much Higher Quality, And May Not Be As Thick As Some Original Cables.	\$17.00	
43896	1970	<b>COURTESY LAMP REPAIR PIGTAIL</b> Convertible, 1/4 Arm Rest Courtesy Lamp, Includes Socket And 6" Of 18 Gauge, Orange & White Wire. 2 Required Per Car. Note: Original Wire Was 18 Gauge, Sometimes With A Heavy Wall Type Insulation. Repair Pigtail Is Also 18 Gauge, But Today's Insulation Is Of Much Higher Quality, And May Not Be As Thick As Some Original Cables.	\$17.00	
43896	1971	<b>COURTESY LAMP REPAIR PIGTAIL</b> Convertible, 1/4 Arm Rest Courtesy Lamp, Includes Socket And 6" Of 18 Gauge, Orange & White Wire. 2 Required Per Car. Note: Original Wire Was 18 Gauge, Sometimes With A Heavy Wall Type Insulation. Repair Pigtail Is Also 18 Gauge, But Today's Insulation Is Of Much Higher Quality, And May Not Be As Thick As Some Original Cables.	\$17.00	
43896	1972	<b>COURTESY LAMP REPAIR PIGTAIL</b> Convertible, 1/4 Arm Rest Courtesy Lamp, Includes Socket And 6" Of 18 Gauge, Orange & White Wire. 2 Required Per Car. Note: Original Wire Was 18 Gauge, Sometimes With A Heavy Wall Type Insulation. Repair Pigtail Is Also 18 Gauge, But Today's Insulation Is Of Much Higher Quality, And May Not Be As Thick As Some Original Cables.	\$17.00	
<b>COURTESY LAMP WIRE</b>				
40553	1970	<b>COURTESY LAMP WIRE</b> All Wagons, Rear Lamp Intermediate Harness To Rear Header Dome Lamp	\$27.00	
40758	1971	<b>COURTESY LAMP WIRE</b> All Wagons, Rear Lamp Intermediate Harness To Rear Header Dome Lamp	\$27.00	
40758	1972	<b>COURTESY LAMP WIRE</b> All Wagons, Rear Lamp Intermediate Harness To Rear Header Dome Lamp	\$27.00	
<b>CRUISE CONTROL HARNESS</b>				
40500	1967	<b>CRUISE CONTROL HARNESS</b> All, With A.c. Delco Brand Cruise Control	\$113.00	
40501	1967	<b>CRUISE CONTROL HARNESS</b> All, With Perfect Circle Brand Cruise Control	\$113.00	
40500	1968	<b>CRUISE CONTROL HARNESS</b> All, With A.c. Delco Brand Cruise Control	\$113.00	
40501	1968	<b>CRUISE CONTROL HARNESS</b> All, With Perfect Circle Brand Cruise Control	\$113.00	
40515	1969	<b>CRUISE CONTROL HARNESS</b> All	\$113.00	
40520	1970	<b>CRUISE CONTROL HARNESS</b> All	\$113.00	
40520	1971	<b>CRUISE CONTROL HARNESS</b> All	\$113.00	
40520	1972	<b>CRUISE CONTROL HARNESS</b> All	\$113.00	

Part Number	Year	Description	Price	*Rev.
40631	1973	<b>CRUISE CONTROL HARNESS</b> All, With Gauges, Except Unitized Distributor, (Includes Tach Wiring)	\$113.00	
40650	1973	<b>CRUISE CONTROL HARNESS</b> All, Without Gauges	\$113.00	
40657	1973	<b>CRUISE CONTROL HARNESS</b> All, With Gauges & Unitized Distributor, (Includes Tach Wiring)	\$133.00	
40678	1974	<b>CRUISE CONTROL HARNESS</b> All, With Tach, Except Unitized Distributor	\$113.00	
40679	1974	<b>CRUISE CONTROL HARNESS</b> All, With Tach & Unitized Distributor	\$113.00	
40683	1974	<b>CRUISE CONTROL HARNESS</b> All, Without Tach	\$133.00	
40679	1975	<b>CRUISE CONTROL HARNESS</b> All, With Tach, Without Pulse Wipers	\$113.00	
40683	1975	<b>CRUISE CONTROL HARNESS</b> All, Without Tach & Pulse Wipers	\$133.00	
40689	1975	<b>CRUISE CONTROL HARNESS</b> All, With Pulse Wipers	\$133.00	
40691	1975	<b>CRUISE CONTROL HARNESS</b> All, With Pulse Wipers & Tach	\$133.00	
40679	1976	<b>CRUISE CONTROL HARNESS</b> All, With Tach, Without Pulse Wipers	\$113.00	
40683	1976	<b>CRUISE CONTROL HARNESS</b> All, Without Tach & Pulse Wipers	\$133.00	
40689	1976	<b>CRUISE CONTROL HARNESS</b> All, With Pulse Wipers	\$133.00	
40691	1976	<b>CRUISE CONTROL HARNESS</b> All, With Pulse Wipers & Tach	\$133.00	
40691	1977	<b>CRUISE CONTROL HARNESS</b> All, With Pulse Wipers & Tach	\$133.00	
40689	1977	<b>CRUISE CONTROL HARNESS</b> All, With Pulse Wipers	\$133.00	
40679	1977	<b>CRUISE CONTROL HARNESS</b> All, With Tach, Without Pulse Wipers	\$113.00	
40683	1977	<b>CRUISE CONTROL HARNESS</b> All, Without Tach & Pulse Wipers	\$133.00	
<b>DASH AND ENGINE COMPARTMENT HARNESS</b>				
03460	1961	<b>DASH AND ENGINE COMPARTMENT HARNESS</b> Without Heater Note: Customer Must Supply Their Original Fuseblock, Harness Is Made To Order.	\$722.00	
03465	1961	<b>DASH AND ENGINE COMPARTMENT HARNESS</b> With Heater Note: Customer Must Supply Their Original Fuseblock, Harness Is Made To Order.	\$722.00	
03465	1962	<b>DASH AND ENGINE COMPARTMENT HARNESS</b> 1st Type, With Water Control Valve Note: Customer Must Supply Their Original Fuseblock, Harness Is Made To Order.	\$722.00	
03770	1962	<b>DASH AND ENGINE COMPARTMENT HARNESS</b> 2nd Type, With Connector & Wires For Heater Resistor Note: Customer Must Supply Their Original Fuseblock, Harness Is Made To Order.	\$722.00	
04070	1963	<b>DASH AND ENGINE COMPARTMENT HARNESS</b> 4 Cylinder Note: Customer Must Supply Their Original Fuseblock, Harness Is Made To Order.	\$722.00	
04075	1963	<b>DASH AND ENGINE COMPARTMENT HARNESS</b> V/8 Note: Customer Must Supply Their Original Fuseblock, Harness Is Made To Order.	\$722.00	
<b>DASH HARNESS</b>				
04565	1964	<b>DASH HARNESS</b> 6 Cylinder, Column Shift Auto Or All Manual Trans Note: 6 Cylinder Items Are Not Returnable.	\$670.00	
19845	1964	<b>DASH HARNESS</b> 6 Cylinder, Column Shift Auto Or All Manual Trans With A/C Note: 6 Cylinder Items Are Not Returnable.	\$670.00	
19835	1964	<b>DASH HARNESS</b> 6 Cylinder, Console Shift, Auto Trans Note: 6 Cylinder Items Are Not Returnable.	\$670.00	
19840	1964	<b>DASH HARNESS</b> 6 Cylinder, Console Shift, Auto Trans, With A/C Note: 6 Cylinder Items Are Not Returnable.	\$670.00	
04570	1964	<b>DASH HARNESS</b> V/8, Column Shift Auto Or All Manual Trans	\$585.00	
03335	1964	<b>DASH HARNESS</b> V/8, Column Shift Auto Or All Manual Trans, With A/C	\$585.00	
05010	1964	<b>DASH HARNESS</b> V/8, Console Shift, Auto Trans	\$585.00	
05015	1964	<b>DASH HARNESS</b> V/8, Console Shift, Auto Trans, With A/C	\$585.00	
05675	1965	<b>DASH HARNESS</b> Column Shift Auto Or All Manual Trans	\$585.00	
05680	1965	<b>DASH HARNESS</b> Column Shift Auto Or All Manual Trans, With A/C	\$585.00	

Part Number	Year	Description	Price	*Rev.
05690	1965	<b>DASH HARNESS</b> Console Shift, Auto Trans	\$585.00	
05685	1965	<b>DASH HARNESS</b> Console Shift, Auto Trans, With A/C	\$585.00	
09405	1966	<b>DASH HARNESS</b> Column Shift Auto Or All Manual Trans	\$585.00	
09520	1966	<b>DASH HARNESS</b> Column Shift Auto Or All Manual Trans, With Gauges	\$585.00	
09410	1966	<b>DASH HARNESS</b> Console Shift, Auto Trans	\$585.00	
09525	1966	<b>DASH HARNESS</b> Console Shift, Auto Trans, With Gauges	\$585.00	
10245	1967	<b>DASH HARNESS</b> Column Shift Auto Or All Manual Trans	\$585.00	
10255	1967	<b>DASH HARNESS</b> Column Shift Auto Or All Manual Trans, With Gauges	\$585.00	
10250	1967	<b>DASH HARNESS</b> Console Shift, Auto Trans	\$585.00	
10260	1967	<b>DASH HARNESS</b> Console Shift, Auto Trans, With Gauges	\$585.00	
17370	1968	<b>DASH HARNESS</b> Column Shift Auto Or All Manual Trans	\$599.00	
11465	1968	<b>DASH HARNESS</b> Column Shift Auto Or All Manual Trans, With Gauges Note: Customer Must Reuse Their Original Plastic Connector For The Ignition Switch.	\$599.00	
12360	1968	<b>DASH HARNESS</b> Console Shift, Auto Trans Note: Customer Must Reuse Their Original Plastic Connector For The Ignition Switch.	\$599.00	
11470	1968	<b>DASH HARNESS</b> Console Shift, Auto Trans, With Gauges Note: Customer Must Reuse Their Original Plastic Connector For The Ignition Switch.	\$599.00	
12820	1969	<b>DASH HARNESS</b> Without Gauges	\$599.00	
12825	1969	<b>DASH HARNESS</b> With Gauges	\$599.00	
15855	1970	<b>DASH HARNESS</b> Without Gauges	\$599.00	
15860	1970	<b>DASH HARNESS</b> With Gauges	\$599.00	
16210	1971	<b>DASH HARNESS</b> Without Gauges	\$599.00	
16655	1971	<b>DASH HARNESS</b> With Gauges	\$599.00	
16265	1971	<b>DASH HARNESS</b> Ventura, Without Gauges	\$619.00	
16270	1971	<b>DASH HARNESS</b> Ventura, With Gauges	\$619.00	
17275	1972	<b>DASH HARNESS</b> Without Gauges & Seat Belt Warning Note: Customer Must Reuse Their Original Plastic Connector For The Horn Relay.	\$639.00	
16725	1972	<b>DASH HARNESS</b> With Gauges & Without Seat Belt Warning Note: Customer Must Reuse Their Original Plastic Connector For The Horn Relay.	\$639.00	
17280	1972	<b>DASH HARNESS</b> With Gauges & Seat Belt Warning Note: Customer Must Reuse Their Original Plastic Connector For The Horn Relay.	\$639.00	
40594	1972	<b>DASH HARNESS</b> Ventura, All Base Models Without Seat Belt Warning	\$639.00	
40595	1972	<b>DASH HARNESS</b> Ventura, Auto Trans, With Floor Console, Without Seat Belt Warning	\$657.00	
40596	1972	<b>DASH HARNESS</b> Ventura, With A/C, Without Gauges & Seat Belt Warning	\$657.00	
40597	1972	<b>DASH HARNESS</b> Ventura, Auto Trans, With Gauges, Without Seat Belt Warning	\$657.00	
40598	1972	<b>DASH HARNESS</b> Ventura, Manual Trans, With Gauges, Without Seat Belt Warning	\$657.00	
16530	1972	<b>DASH HARNESS</b> Ventura, All Base Models With Seat Belt Warning	\$657.00	
40599	1972	<b>DASH HARNESS</b> Ventura, Auto Trans, With Floor Console & Seat Belt Warning	\$657.00	
40600	1972	<b>DASH HARNESS</b> Ventura, With A/C & Seat Belt Warning, Without Gauges	\$657.00	
40601	1972	<b>DASH HARNESS</b> Ventura, Auto Trans, With Gauges & Seat Belt Warning	\$657.00	
40602	1972	<b>DASH HARNESS</b> Ventura, Manual Trans, With Gauges & Seat Belt Warning	\$657.00	
17285	1973	<b>DASH HARNESS</b> Tempest, Le Mans & GTO Note: Customer Must Reuse Their Original Plastic Connector For The Horn Relay.	\$722.00	
18715	1973	<b>DASH HARNESS</b> Ventura	\$622.00	
30685	1974	<b>DASH HARNESS</b> Tempest & Le Mans Note: Customer Must Supply Original Dash Harness, Harness Is Made To Order.	\$722.00	



Part Number	Year	Description	Price	*Rev.
18660	1974	<b>DASH HARNESS</b> GTO & Ventura, Without Gauges Note: Customer Must Reuse Their Original Plastic Connector For The Seat Belt Buzzer / Timer.	\$658.00	
18655	1974	<b>DASH HARNESS</b> GTO & Ventura, With Gauges Note: Customer Must Reuse Their Original Plastic Connector For The Seat Belt Buzzer / Timer.	\$658.00	
40821	1975	<b>DASH HARNESS</b> With Seat Belt Warning, Without Gauges Note: Customer Must Supply Their Original Harness, Harness Is Made To Order.	\$734.00	
40822	1975	<b>DASH HARNESS</b> With Seat Belt Warning & Gauges Note: Customer Must Supply Their Original Harness, Harness Is Made To Order.	\$734.00	
40840	1975	<b>DASH HARNESS</b> Without Gauges & Seat Belt Warning Note: Customer Must Supply Their Original Harness, Harness Is Made To Order.	\$734.00	
40841	1975	<b>DASH HARNESS</b> With Gauges, Without Seat Belt Warning Note: Customer Must Supply Their Original Harness, Harness Is Made To Order.	\$734.00	
40827	1976	<b>DASH HARNESS</b> All Note: Customer Must Supply Their Original Harness, Harness Is Made To Order.	\$734.00	
40888	1977	<b>DASH HARNESS</b> All Note: Customer Must Reuse Their Original Plastic Connector For The Seat Belt Buzzer / Timer.	\$734.00	
<b>DISTRIBUTOR WIRE</b>				
36057	1961	<b>DISTRIBUTOR WIRE</b> Distributor Points To Coil Negative Terminal, V/8 Note: Fits All GM V/8 Points Type Distributors From Approx. 1957 To 1974.	\$18.00	C
36057	1962	<b>DISTRIBUTOR WIRE</b> Distributor Points To Coil Negative Terminal, V/8 Note: Fits All GM V/8 Points Type Distributors From Approx. 1957 To 1974.	\$18.00	C
36057	1963	<b>DISTRIBUTOR WIRE</b> Distributor Points To Coil Negative Terminal, V/8 Note: Fits All GM V/8 Points Type Distributors From Approx. 1957 To 1974.	\$18.00	C
36057	1964	<b>DISTRIBUTOR WIRE</b> Distributor Points To Coil Negative Terminal, V/8 Note: Fits All GM V/8 Points Type Distributors From Approx. 1957 To 1974.	\$18.00	C
36057	1965	<b>DISTRIBUTOR WIRE</b> Distributor Points To Coil Negative Terminal, V/8 Note: Fits All GM V/8 Points Type Distributors From Approx. 1957 To 1974.	\$18.00	C
36057	1966	<b>DISTRIBUTOR WIRE</b> Distributor Points To Coil Negative Terminal, V/8 Note: Fits All GM V/8 Points Type Distributors From Approx. 1957 To 1974.	\$18.00	C
36057	1967	<b>DISTRIBUTOR WIRE</b> Distributor Points To Coil Negative Terminal, V/8 Note: Fits All GM V/8 Points Type Distributors From Approx. 1957 To 1974.	\$18.00	C
36057	1968	<b>DISTRIBUTOR WIRE</b> Distributor Points To Coil Negative Terminal, V/8 Note: Fits All GM V/8 Points Type Distributors From Approx. 1957 To 1974.	\$18.00	C
36057	1969	<b>DISTRIBUTOR WIRE</b> Distributor Points To Coil Negative Terminal, V/8 Note: Fits All GM V/8 Points Type Distributors From Approx. 1957 To 1974.	\$18.00	C
36057	1970	<b>DISTRIBUTOR WIRE</b> Distributor Points To Coil Negative Terminal, V/8 Note: Fits All GM V/8 Points Type Distributors From Approx. 1957 To 1974.	\$18.00	C
36057	1971	<b>DISTRIBUTOR WIRE</b> Distributor Points To Coil Negative Terminal, V/8 Note: Fits All GM V/8 Points Type Distributors From Approx. 1957 To 1974.	\$18.00	C
36057	1972	<b>DISTRIBUTOR WIRE</b> Distributor Points To Coil Negative Terminal, V/8 Note: Fits All GM V/8 Points Type Distributors From Approx. 1957 To 1974.	\$18.00	C
36057	1973	<b>DISTRIBUTOR WIRE</b> Distributor Points To Coil Negative Terminal, V/8 Note: Fits All GM V/8 Points Type Distributors From Approx. 1957 To 1974.	\$18.00	C
36057	1974	<b>DISTRIBUTOR WIRE</b> Distributor Points To Coil Negative Terminal, V/8 Note: Fits All GM V/8 Points Type Distributors From Approx. 1957 To 1974.	\$18.00	C
<b>DOOR JAMB SWITCH HARNESS</b>				
40712	1974	<b>DOOR JAMB SWITCH HARNESS</b> Without Power Windows Or Door Locks	\$74.00	
40712	1975	<b>DOOR JAMB SWITCH HARNESS</b> Without Power Windows Or Door Locks	\$74.00	
40712	1976	<b>DOOR JAMB SWITCH HARNESS</b> Without Power Windows Or Door Locks	\$74.00	

Part Number	Year	Description	Price	*Rev.
40712	1977	DOOR JAMB SWITCH HARNESS Without Power Windows Or Door Locks	\$74.00	
<b>EMISSION SYSTEM JUMPER HARNESS</b>				
40666	1973	EMISSION SYSTEM JUMPER HARNESS Used With Late 1973 Production Engines, Time Delay Relay To Egr Solenoid	\$74.00	
40667	1973	EMISSION SYSTEM JUMPER HARNESS Ventura, Used With Late 1973 Production Engines, Time Delay Relay To Egr Solenoid	\$74.00	
<b>ENGINE HARNESS</b>				
05600	1964	ENGINE HARNESS 6 Cylinder, Auto Trans Note: 6 Cylinder Items Are Not Returnable.	\$215.00	
17290	1964	ENGINE HARNESS 6 Cylinder, Auto Trans, With A/C Note: 6 Cylinder Items Are Not Returnable.	\$228.00	
37971	1964	ENGINE HARNESS 6 Cylinder, Manual Trans Note: 6 Cylinder Items Are Not Returnable.	\$215.00	
37972	1964	ENGINE HARNESS 6 Cylinder, Manual Trans, With A/C Note: 6 Cylinder Items Are Not Returnable.	\$228.00	
03535	1964	ENGINE HARNESS V/8, Auto Trans	\$188.00	
40241	1964	ENGINE HARNESS-HEI V/8, Auto Trans Note: This Harness Is Modified For Use With An HEI Distributor. In Order To Use HEI This Year, You Will Need To Bypass The Factory Installed Resistance Wire Located In Your Dash Harness. We Include A Proper Bypass Wire And Instructions For You.	\$211.00	
40242	1964	ENGINE HARNESS-SI SERIES INT REG ALT, DRIVER SIDE V/8, Auto Trans	\$226.00	
40243	1964	ENGINE HARNESS-HEI AND SI SERIES INT REG ALT, DRIVER SIDE V/8, Auto Trans Note: This Harness Is Modified For Use With An HEI Distributor. In Order To Use HEI This Year, You Will Need To Bypass The Factory Installed Resistance Wire Located In Your Dash Harness. We Include A Proper Bypass Wire And Instructions For You.	\$238.00	
05185	1964	ENGINE HARNESS V/8, Auto Trans, With A/C	\$194.00	
40244	1964	ENGINE HARNESS-HEI V/8, Auto Trans, With A/C Note: This Harness Is Modified For Use With An HEI Distributor. In Order To Use HEI This Year, You Will Need To Bypass The Factory Installed Resistance Wire Located In Your Dash Harness. We Include A Proper Bypass Wire And Instructions For You.	\$218.00	
40245	1964	ENGINE HARNESS-SI SERIES INT REG ALT, DRIVER SIDE V/8, Auto Trans, With A/C	\$231.00	
40246	1964	ENGINE HARNESS-HEI AND SI SERIES INT REG ALT, DRIVER SIDE V/8, Auto Trans, With A/C Note: This Harness Is Modified For Use With An HEI Distributor. In Order To Use HEI This Year, You Will Need To Bypass The Factory Installed Resistance Wire Located In Your Dash Harness. We Include A Proper Bypass Wire And Instructions For You.	\$245.00	
37973	1964	ENGINE HARNESS V/8, Manual Trans	\$175.00	
40247	1964	ENGINE HARNESS-HEI V/8, Manual Trans Note: This Harness Is Modified For Use With An HEI Distributor. In Order To Use HEI This Year, You Will Need To Bypass The Factory Installed Resistance Wire Located In Your Dash Harness. We Include A Proper Bypass Wire And Instructions For You.	\$198.00	
40248	1964	ENGINE HARNESS-SI SERIES INT REG ALT, DRIVER SIDE V/8, Manual Trans	\$212.00	
40249	1964	ENGINE HARNESS-HEI AND SI SERIES INT REG ALT, DRIVER SIDE V/8, Manual Trans Note: This Harness Is Modified For Use With An HEI Distributor. In Order To Use HEI This Year, You Will Need To Bypass The Factory Installed Resistance Wire Located In Your Dash Harness. We Include A Proper Bypass Wire And Instructions For You.	\$226.00	
37974	1964	ENGINE HARNESS V/8, Manual Trans, With A/C	\$194.00	
40250	1964	ENGINE HARNESS-HEI V/8, Manual Trans, With A/C Note: This Harness Is Modified For Use With An HEI Distributor. In Order To Use HEI This Year, You Will Need To Bypass The Factory Installed Resistance Wire Located In Your Dash Harness. We Include A Proper Bypass Wire And Instructions For You.	\$218.00	
40251	1964	ENGINE HARNESS-SI SERIES INT REG ALT, DRIVER SIDE V/8, Manual Trans, With A/C	\$231.00	
40252	1964	ENGINE HARNESS-HEI AND SI SERIES INT REG ALT, DRIVER SIDE V/8, Manual Trans, With A/C Note: This Harness Is Modified For Use With An HEI Distributor. In Order To Use HEI This Year, You Will Need To Bypass The Factory Installed Resistance Wire Located In Your Dash Harness. We Include A Proper Bypass Wire And Instructions For You.	\$245.00	

Part Number	Year	Description	Price	*Rev.
05705	1965	<b>ENGINE HARNESS</b> 6 Cylinder, Auto Trans Note: 6 Cylinder Items Are Not Returnable.	\$215.00	
05710	1965	<b>ENGINE HARNESS</b> 6 Cylinder, Auto Trans, With A/C Note: 6 Cylinder Items Are Not Returnable.	\$228.00	
37975	1965	<b>ENGINE HARNESS</b> 6 Cylinder, Manual Trans Note: 6 Cylinder Items Are Not Returnable.	\$215.00	
37976	1965	<b>ENGINE HARNESS</b> 6 Cylinder, Manual Trans, With A/C Note: 6 Cylinder Items Are Not Returnable.	\$228.00	
05695	1965	<b>ENGINE HARNESS</b> V/8, Auto Trans	\$188.00	
40253	1965	<b>ENGINE HARNESS-HEI</b> V/8, Auto Trans	\$211.00	
40254	1965	<b>ENGINE HARNESS-SI SERIES INT REG ALT, DRIVER SIDE</b> V/8, Auto Trans	\$226.00	
40255	1965	<b>ENGINE HARNESS-HEI AND SI SERIES INT REG ALT, DRIVER SIDE</b> V/8, Auto Trans	\$238.00	
05700	1965	<b>ENGINE HARNESS</b> V/8, Auto Trans, With A/C	\$194.00	
40256	1965	<b>ENGINE HARNESS-HEI</b> V/8, Auto Trans, With A/C	\$218.00	
40257	1965	<b>ENGINE HARNESS-SI SERIES INT REG ALT, DRIVER SIDE</b> V/8, Auto Trans, With A/C	\$231.00	
40258	1965	<b>ENGINE HARNESS-HEI AND SI SERIES INT REG ALT, DRIVER SIDE</b> V/8, Auto Trans, With A/C	\$245.00	
37977	1965	<b>ENGINE HARNESS</b> V/8, Manual Trans	\$181.00	
40259	1965	<b>ENGINE HARNESS-HEI</b> V/8, Manual Trans	\$204.00	
40260	1965	<b>ENGINE HARNESS-SI SERIES INT REG ALT, DRIVER SIDE</b> V/8, Manual Trans	\$219.00	
40261	1965	<b>ENGINE HARNESS-HEI AND SI SERIES INT REG ALT, DRIVER SIDE</b> V/8, Manual Trans	\$231.00	
37978	1965	<b>ENGINE HARNESS</b> V/8, Manual Trans, With A/C	\$201.00	
40262	1965	<b>ENGINE HARNESS-HEI</b> V/8, Manual Trans, With A/C	\$223.00	
40263	1965	<b>ENGINE HARNESS-SI SERIES INT REG ALT, DRIVER SIDE</b> V/8, Manual Trans, With A/C	\$238.00	
40264	1965	<b>ENGINE HARNESS-HEI AND SI SERIES INT REG ALT, DRIVER SIDE</b> V/8, Manual Trans, With A/C	\$251.00	
10160	1966	<b>ENGINE HARNESS</b> 6 Cylinder Note: 6 Cylinder Items Are Not Returnable.	\$215.00	
10165	1966	<b>ENGINE HARNESS</b> 6 Cylinder, With A/C Note: 6 Cylinder Items Are Not Returnable.	\$249.00	
09415	1966	<b>ENGINE HARNESS</b> V/8	\$181.00	
40265	1966	<b>ENGINE HARNESS-HEI</b> V/8	\$204.00	
40266	1966	<b>ENGINE HARNESS-SI SERIES INT REG ALT, DRIVER SIDE</b> V/8	\$219.00	
40267	1966	<b>ENGINE HARNESS-HEI AND SI SERIES INT REG ALT, DRIVER SIDE</b> V/8	\$231.00	
09530	1966	<b>ENGINE HARNESS, CUC</b> V/8, With A/C	\$201.00	
40268	1966	<b>ENGINE HARNESS, CUC-HEI</b> V/8, With A/C	\$223.00	
40269	1966	<b>ENGINE HARNESS, CUC-SI SERIES INT REG ALT, DRIVER SIDE</b> V/8, With A/C	\$238.00	
40270	1966	<b>ENGINE HARNESS, CUC-HEI AND SI SERIES INT REG ALT, DRIVER SIDE</b> V/8, With A/C	\$251.00	
10340	1967	<b>ENGINE HARNESS</b> 6 Cylinder Note: 6 Cylinder Items Are Not Returnable.	\$243.00	
10345	1967	<b>ENGINE HARNESS</b> 6 Cylinder, With A/C Note: 6 Cylinder Items Are Not Returnable.	\$249.00	
10315	1967	<b>ENGINE HARNESS</b> 6 Cylinder, With Transistor Ignition Note: 6 Cylinder Items Are Not Returnable.	\$291.00	

Part Number	Year	Description	Price	*Rev.
10320	1967	<b>ENGINE HARNESS</b> 6 Cylinder, With A/C & Transistor Ignition Note: 6 Cylinder Items Are Not Returnable.	\$318.00	
10350	1967	<b>ENGINE HARNESS</b> V/8	\$181.00	
40271	1967	<b>ENGINE HARNESS-HEI</b> V/8	\$204.00	
40272	1967	<b>ENGINE HARNESS-SI SERIES INT REG ALT, DRIVER SIDE</b> V/8	\$219.00	
40273	1967	<b>ENGINE HARNESS-HEI AND SI SERIES INT REG ALT, DRIVER SIDE</b> V/8	\$231.00	
10355	1967	<b>ENGINE HARNESS</b> V/8, With A/C	\$201.00	
40274	1967	<b>ENGINE HARNESS-HEI</b> V/8, With A/C	\$223.00	
40275	1967	<b>ENGINE HARNESS-SI SERIES INT REG ALT, DRIVER SIDE</b> V/8, With A/C	\$238.00	
40276	1967	<b>ENGINE HARNESS-HEI AND SI SERIES INT REG ALT, DRIVER SIDE</b> V/8, With A/C	\$251.00	
11495	1967	<b>ENGINE HARNESS</b> V/8, With A/C & Ram Air	\$201.00	
40277	1967	<b>ENGINE HARNESS-HEI</b> V/8, With A/C & Ram Air	\$223.00	
40278	1967	<b>ENGINE HARNESS-SI SERIES INT REG ALT, DRIVER SIDE</b> V/8, With A/C & Ram Air	\$238.00	
40279	1967	<b>ENGINE HARNESS-HEI AND SI SERIES INT REG ALT, DRIVER SIDE</b> V/8, With A/C & Ram Air	\$251.00	
10330	1967	<b>ENGINE HARNESS</b> V/8, With A/C & Transistor Ignition	\$227.00	
40283	1967	<b>ENGINE HARNESS-SI SERIES INT REG ALT, DRIVER SIDE</b> V/8, With A/C & Transistor Ignition	\$264.00	
11505	1967	<b>ENGINE HARNESS</b> V/8, With A/C, Ram Air & Transistor Ignition	\$227.00	
40284	1967	<b>ENGINE HARNESS-SI SERIES INT REG ALT, DRIVER SIDE</b> V/8, With A/C, Ram Air & Transistor Ignition	\$264.00	
10325	1967	<b>ENGINE HARNESS</b> V/8, With Transistor Ignition	\$227.00	
40285	1967	<b>ENGINE HARNESS-SI SERIES INT REG ALT, DRIVER SIDE</b> V/8, With Transistor Ignition	\$264.00	
11490	1967	<b>ENGINE HARNESS</b> V/8, With Ram Air	\$194.00	
40280	1967	<b>ENGINE HARNESS-HEI</b> V/8, With Ram Air	\$218.00	
40281	1967	<b>ENGINE HARNESS-SI SERIES INT REG ALT, DRIVER SIDE</b> V/8, With Ram Air	\$231.00	
40282	1967	<b>ENGINE HARNESS-HEI AND SI SERIES INT REG ALT, DRIVER SIDE</b> V/8, With Ram Air	\$245.00	
11500	1967	<b>ENGINE HARNESS</b> V/8, With Ram Air & Transistor Ignition	\$227.00	
40286	1967	<b>ENGINE HARNESS-SI SERIES INT REG ALT, DRIVER SIDE</b> V/8, With Ram Air & Transistor Ignition	\$264.00	
11380	1968	<b>ENGINE HARNESS</b> 6 Cylinder Note: 6 Cylinder Items Are Not Returnable.	\$276.00	
11385	1968	<b>ENGINE HARNESS</b> 6 Cylinder, With A/C Note: 6 Cylinder Items Are Not Returnable.	\$291.00	
11395	1968	<b>ENGINE HARNESS</b> V/8	\$219.00	
40287	1968	<b>ENGINE HARNESS-HEI</b> V/8	\$243.00	
40288	1968	<b>ENGINE HARNESS-SI SERIES INT REG ALT, DRIVER SIDE</b> V/8	\$258.00	
40289	1968	<b>ENGINE HARNESS-HEI AND SI SERIES INT REG ALT, DRIVER SIDE</b> V/8	\$271.00	
11555	1968	<b>ENGINE HARNESS</b> V/8, With A/C	\$233.00	
40290	1968	<b>ENGINE HARNESS-HEI</b> V/8, With A/C	\$256.00	
40291	1968	<b>ENGINE HARNESS-SI SERIES INT REG ALT, DRIVER SIDE</b> V/8, With A/C	\$271.00	
40292	1968	<b>ENGINE HARNESS-HEI AND SI SERIES INT REG ALT, DRIVER SIDE</b> V/8, With A/C	\$285.00	
37979	1968	<b>ENGINE HARNESS</b> V/8, With Ram Air	\$233.00	
40296	1968	<b>ENGINE HARNESS-HEI</b> V/8, With Ram Air	\$256.00	
40297	1968	<b>ENGINE HARNESS-SI SERIES INT REG ALT, DRIVER SIDE</b> V/8, With Ram Air	\$271.00	
40298	1968	<b>ENGINE HARNESS-HEI AND SI SERIES INT REG ALT, DRIVER SIDE</b> V/8, With Ram Air	\$285.00	

Part Number	Year	Description	Price	*Rev.
11390	1968	<b>ENGINE HARNESS</b> V/8, With A/C & Ram Air	\$252.00	
40293	1968	<b>ENGINE HARNESS-HEI</b> V/8, With A/C & Ram Air	\$276.00	
40294	1968	<b>ENGINE HARNESS-SI SERIES INT REG ALT, DRIVER SIDE</b> V/8, With A/C & Ram Air	\$290.00	
40295	1968	<b>ENGINE HARNESS-HEI AND SI SERIES INT REG ALT, DRIVER SIDE</b> V/8, With A/C & Ram Air	\$304.00	
40519	1969	<b>ENGINE HARNESS</b> 6 Cylinder, With Internal Regulator Note: 6 Cylinder Items Are Not Returnable.	\$318.00	
13450	1969	<b>ENGINE HARNESS</b> 6 Cylinder, With External Regulator Note: 6 Cylinder Items Are Not Returnable.	\$318.00	
13445	1969	<b>ENGINE HARNESS</b> 6 Cylinder, With A/C & Internal Regulator Note: 6 Cylinder Items Are Not Returnable.	\$332.00	
12865	1969	<b>ENGINE HARNESS</b> 6 Cylinder, With A/C & External Regulator Note: 6 Cylinder Items Are Not Returnable.	\$332.00	
13290	1969	<b>ENGINE HARNESS</b> V/8, With External Regulator Note: Not Used For HEI Application.	\$259.00	
40299	1969	<b>ENGINE HARNESS-HEI</b> V/8, With External Regulator Note: This Harness Is Modified For Use With An HEI Distributor. In Order To Use HEI This Year, You Will Need To Bypass The Factory Installed Resistance Wire Located In Your Dash Harness. We Include A Proper Bypass Wire And Instructions For You.	\$282.00	
12870	1969	<b>ENGINE HARNESS</b> V/8, With Internal Regulator Note: Not Used For HEI Application.	\$259.00	
40300	1969	<b>ENGINE HARNESS-HEI</b> V/8, With Internal Regulator Note: This Harness Is Modified For Use With An HEI Distributor. In Order To Use HEI This Year, You Will Need To Bypass The Factory Installed Resistance Wire Located In Your Dash Harness. We Include A Proper Bypass Wire And Instructions For You.	\$282.00	
13430	1969	<b>ENGINE HARNESS</b> V/8, With Ram Air & External Regulator Note: Not Used For HEI Application.	\$265.00	
40301	1969	<b>ENGINE HARNESS-HEI</b> V/8, With Ram Air & External Regulator Note: This Harness Is Modified For Use With An HEI Distributor. In Order To Use HEI This Year, You Will Need To Bypass The Factory Installed Resistance Wire Located In Your Dash Harness. We Include A Proper Bypass Wire And Instructions For You.	\$289.00	
12875	1969	<b>ENGINE HARNESS</b> V/8, With Ram Air & Internal Regulator Note: Not Used For HEI Application.	\$265.00	
40302	1969	<b>ENGINE HARNESS-HEI</b> V/8, With Ram Air & Internal Regulator Note: This Harness Is Modified For Use With An HEI Distributor. In Order To Use HEI This Year, You Will Need To Bypass The Factory Installed Resistance Wire Located In Your Dash Harness. We Include A Proper Bypass Wire And Instructions For You.	\$289.00	
40572	1969	<b>ENGINE HARNESS</b> V/8, Ram Air V Tunnel Port	\$265.00	
37980	1970	<b>ENGINE HARNESS</b> 6 Cylinder, Auto Trans Note: 6 Cylinder Items Are Not Returnable.	\$359.00	
37981	1970	<b>ENGINE HARNESS</b> 6 Cylinder, Manual Trans Note: 6 Cylinder Items Are Not Returnable.	\$359.00	
15555	1970	<b>ENGINE HARNESS</b> 6 Cylinder, Auto Trans, With A/C Note: 6 Cylinder Items Are Not Returnable.	\$359.00	
15550	1970	<b>ENGINE HARNESS</b> 6 Cylinder, Manual Trans, With A/C Note: 6 Cylinder Items Are Not Returnable.	\$359.00	
15565	1970	<b>ENGINE HARNESS</b> V/8, Auto Trans Note: Not Used For HEI Application.	\$291.00	
40303	1970	<b>ENGINE HARNESS-HEI</b> V/8, Auto Trans Note: This Harness Is Modified For Use With An HEI Distributor. In Order To Use HEI This Year, You Will Need To Bypass The Factory Installed Resistance Wire Located In Your Dash Harness. We Include A Proper Bypass Wire And Instructions For You.	\$316.00	
40304	1970	<b>ENGINE HARNESS-SI SERIES INT REG ALT, DRIVER SIDE</b> V/8, Auto Trans	\$331.00	

Part Number	Year	Description	Price	*Rev.
40305	1970	<b>ENGINE HARNESS-HEI AND SI SERIES INT REG ALT, DRIVER SIDE</b> V/8, Auto Trans Note: This Harness Is Modified For Use With An HEI Distributor. In Order To Use HEI This Year, You Will Need To Bypass The Factory Installed Resistance Wire Located In Your Dash Harness. We Include A Proper Bypass Wire And Instructions For You.	\$343.00	
15560	1970	<b>ENGINE HARNESS</b> V/8, Manual Trans Note: Not Used For HEI Application.	\$291.00	
40309	1970	<b>ENGINE HARNESS-HEI</b> V/8, Manual Trans Note: This Harness Is Modified For Use With An HEI Distributor. In Order To Use HEI This Year, You Will Need To Bypass The Factory Installed Resistance Wire Located In Your Dash Harness. We Include A Proper Bypass Wire And Instructions For You.	\$316.00	
40310	1970	<b>ENGINE HARNESS-SI SERIES INT REG ALT, DRIVER SIDE</b> V/8, Manual Trans	\$331.00	
40311	1970	<b>ENGINE HARNESS-HEI AND SI SERIES INT REG ALT, DRIVER SIDE</b> V/8, Manual Trans Note: This Harness Is Modified For Use With An HEI Distributor. In Order To Use HEI This Year, You Will Need To Bypass The Factory Installed Resistance Wire Located In Your Dash Harness. We Include A Proper Bypass Wire And Instructions For You.	\$343.00	
15575	1970	<b>ENGINE HARNESS</b> V/8, Auto Trans, With Ram Air Note: Not Used For HEI Application.	\$291.00	
40306	1970	<b>ENGINE HARNESS-HEI</b> V/8, Auto Trans, With Ram Air Note: This Harness Is Modified For Use With An HEI Distributor. In Order To Use HEI This Year, You Will Need To Bypass The Factory Installed Resistance Wire Located In Your Dash Harness. We Include A Proper Bypass Wire And Instructions For You.	\$316.00	
40307	1970	<b>ENGINE HARNESS-SI SERIES INT REG ALT, DRIVER SIDE</b> V/8, Auto Trans, With Ram Air	\$331.00	
40308	1970	<b>ENGINE HARNESS-HEI AND SI SERIES INT REG ALT, DRIVER SIDE</b> V/8, Auto Trans, With Ram Air Note: This Harness Is Modified For Use With An HEI Distributor. In Order To Use HEI This Year, You Will Need To Bypass The Factory Installed Resistance Wire Located In Your Dash Harness. We Include A Proper Bypass Wire And Instructions For You.	\$343.00	
15570	1970	<b>ENGINE HARNESS</b> V/8, Manual Trans, With Ram Air Note: Not Used For HEI Application.	\$291.00	
40312	1970	<b>ENGINE HARNESS-HEI</b> V/8, Manual Trans, With Ram Air Note: This Harness Is Modified For Use With An HEI Distributor. In Order To Use HEI This Year, You Will Need To Bypass The Factory Installed Resistance Wire Located In Your Dash Harness. We Include A Proper Bypass Wire And Instructions For You.	\$316.00	
40313	1970	<b>ENGINE HARNESS-SI SERIES INT REG ALT, DRIVER SIDE</b> V/8, Manual Trans, With Ram Air	\$331.00	
40314	1970	<b>ENGINE HARNESS-HEI AND SI SERIES INT REG ALT, DRIVER SIDE</b> V/8, Manual Trans, With Ram Air Note: This Harness Is Modified For Use With An HEI Distributor. In Order To Use HEI This Year, You Will Need To Bypass The Factory Installed Resistance Wire Located In Your Dash Harness. We Include A Proper Bypass Wire And Instructions For You.	\$343.00	
37982	1971	<b>ENGINE HARNESS</b> 6 Cylinder Note: 6 Cylinder Items Are Not Returnable.	\$359.00	
16040	1971	<b>ENGINE HARNESS</b> 6 Cylinder, With A/C Note: 6 Cylinder Items Are Not Returnable.	\$359.00	
16275	1971	<b>ENGINE HARNESS</b> Ventura, 6 Cylinder Note: 6 Cylinder Items Are Not Returnable.	\$359.00	
16065	1971	<b>ENGINE HARNESS</b> V/8, Auto Trans	\$291.00	
40315	1971	<b>ENGINE HARNESS-HEI</b> V/8, Auto Trans	\$316.00	
16060	1971	<b>ENGINE HARNESS</b> V/8, Manual Trans	\$291.00	
40317	1971	<b>ENGINE HARNESS-HEI</b> V/8, Manual Trans	\$316.00	
37984	1971	<b>ENGINE HARNESS</b> V/8, Auto Trans, With A/C	\$305.00	
40316	1971	<b>ENGINE HARNESS-HEI</b> V/8, Auto Trans, With A/C	\$329.00	
37985	1971	<b>ENGINE HARNESS</b> V/8, Manual Trans, With A/C	\$305.00	
40318	1971	<b>ENGINE HARNESS-HEI</b> V/8, Manual Trans, With A/C	\$329.00	
15920	1971	<b>ENGINE HARNESS</b> V/8, All, With Ram Air	\$305.00	
40319	1971	<b>ENGINE HARNESS-HEI</b> V/8, All, With Ram Air	\$329.00	
37983	1971	<b>ENGINE HARNESS</b> V/8, All, With Ram Air & A/C	\$305.00	

Part Number	Year	Description	Price	*Rev.
40320	1971	<b>ENGINE HARNESS-HEI</b> V/8, All, With Ram Air & A/C	\$329.00	
40566	1971	<b>ENGINE HARNESS</b> Ventura, V/8, Auto Trans	\$305.00	
40322	1971	<b>ENGINE HARNESS-HEI</b> Ventura, V/8, Auto Trans	\$329.00	
40565	1971	<b>ENGINE HARNESS</b> Ventura, V/8, Manual Trans	\$305.00	
40321	1971	<b>ENGINE HARNESS-HEI</b> Ventura, V/8, Manual Trans	\$329.00	
40568	1971	<b>ENGINE HARNESS</b> Ventura, V/8, Auto Trans, With Gauges	\$305.00	
40324	1971	<b>ENGINE HARNESS-HEI</b> Ventura, V/8, Auto Trans, With Gauges	\$329.00	
40567	1971	<b>ENGINE HARNESS</b> Ventura, V/8, Manual Trans, With Gauges	\$305.00	
40323	1971	<b>ENGINE HARNESS-HEI</b> Ventura, V/8, Manual Trans, With Gauges	\$329.00	
16715	1972	<b>ENGINE HARNESS</b> 6 Cylinder Note: 6 Cylinder Items Are Not Returnable.	\$374.00	
37986	1972	<b>ENGINE HARNESS</b> 6 Cylinder, With A/C Note: 6 Cylinder Items Are Not Returnable.	\$374.00	
16375	1972	<b>ENGINE HARNESS</b> Ventura, 6 Cylinder Note: 6 Cylinder Items Are Not Returnable.	\$284.00	
16920	1972	<b>ENGINE HARNESS</b> V/8	\$291.00	
40325	1972	<b>ENGINE HARNESS-HEI</b> V/8	\$316.00	
37988	1972	<b>ENGINE HARNESS</b> V/8, With A/C	\$305.00	
40327	1972	<b>ENGINE HARNESS-HEI</b> V/8, With A/C	\$329.00	
40612	1972	<b>ENGINE HARNESS</b> V/8, With A/C & Gauges	\$305.00	
40326	1972	<b>ENGINE HARNESS-HEI</b> V/8, With A/C & Gauges	\$329.00	
16950	1972	<b>ENGINE HARNESS</b> V/8, 455 H.O., With Unitized Distributor	\$305.00	
37987	1972	<b>ENGINE HARNESS</b> V/8, 455 H.O., With Unitized Distributor & A/C	\$344.00	
16380	1972	<b>ENGINE HARNESS</b> Ventura, V/8, 307 C.I., Without Gauges Note: Manual Trans Requires Use Of #17355 T.C.S. Extension.	\$233.00	
40328	1972	<b>ENGINE HARNESS-HEI</b> Ventura, V/8, 307 C.I., Without Gauges	\$256.00	
40342	1972	<b>ENGINE HARNESS-SI SERIES INT REG ALT, PASSENGER SIDE</b> Ventura, V/8, 307 C.I., Without Gauges Note: This Harness Is To Be U Sed With Forward Lamp Harness Modified For Internal Regulated Alt. If Customer Is Not Changing Original Forward Lamp Harness, A Kit Is Included To Alter The Factory Harness.	\$271.00	
40344	1972	<b>ENGINE HARNESS-HEI AND SI SERIES INT REG ALT, PASSENGER SIDE</b> Ventura, V/8, 307 C.I., Without Gauges Note: This Harness Is To Be Used With Forward Lamp Harness Modified For Internal Regulated Alt. If Customer Is Not Changing Original Forward Lamp Harness, A Kit Is Included To Alter The Factory Harness.	\$285.00	
16385	1972	<b>ENGINE HARNESS</b> Ventura, V/8, 307 C.I., With Gauges Note: Manual Trans Requires Use Of #17355 T.C.S. Extension.	\$251.00	
40329	1972	<b>ENGINE HARNESS-HEI</b> Ventura, V/8, 307 C.I., With Gauges	\$275.00	
40343	1972	<b>ENGINE HARNESS-SI SERIES INT REG ALT, PASSENGER SIDE</b> Ventura, V/8, 307 C.I., With Gauges Note: This Harness Is To Be Used With Forward Lamp Harness Modified For Internal Regulated Alt. If Customer Is Not Changing Original Forward Lamp Harness, A Kit Is Included To Alter The Factory Harness.	\$289.00	
40345	1972	<b>ENGINE HARNESS-HEI AND SI SERIES INT REG ALT, PASSENGER SIDE</b> Ventura, V/8, 307 C.I., With Gauges Note: This Harness Is To Be Used With Forward Lamp Harness Modified For Internal Regulated Alt. If Customer Is Not Changing Original Forward Lamp Harness, A Kit Is Included To Alter The Factory Harness.	\$303.00	
40613	1972	<b>ENGINE HARNESS</b> Ventura, With Pontiac 350 Eng, Without A/C	\$358.00	
40330	1972	<b>ENGINE HARNESS-HEI</b> Ventura, With Pontiac 350 Eng, Without A/C	\$382.00	
38271	1972	<b>ENGINE HARNESS</b> Ventura, With Pontiac 350 Eng & A/C	\$358.00	
40331	1972	<b>ENGINE HARNESS-HEI</b> Ventura, With Pontiac 350 Eng & A/C	\$382.00	

Part Number	Year	Description	Price	*Rev.
16940	1973	<b>ENGINE HARNESS</b> 6 Cylinder Note: 6 Cylinder Items Are Not Returnable.	\$387.00	
40605	1973	<b>ENGINE HARNESS</b> Ventura, 6 Cyl., With Auto Trans Note: 6 Cylinder Items Are Not Returnable.	\$371.00	
40569	1973	<b>ENGINE HARNESS</b> Ventura, 6 Cyl., With Manual Trans Note: 6 Cylinder Items Are Not Returnable.	\$371.00	
30135	1973	<b>ENGINE HARNESS</b> V/8, Without Functional Hood Scoop	\$344.00	
40332	1973	<b>ENGINE HARNESS-HEI</b> V/8, Without Functional Hood Scoop	\$371.00	
30125	1973	<b>ENGINE HARNESS</b> V/8, With Functional Hood Scoop Note: Customer Must Reuse Their Original Plastic Connector For The Distributor Vacuum Solenoid Delay Relay.	\$344.00	
40333	1973	<b>ENGINE HARNESS-HEI</b> V/8, With Functional Hood Scoop Note: Customer Must Reuse Their Original Plastic Connector For The Distributor Vacuum Solenoid Delay Relay.	\$371.00	
30140	1973	<b>ENGINE HARNESS</b> V/8, With Unitized Distributor, Without Functional Hood Scoop	\$371.00	
30130	1973	<b>ENGINE HARNESS</b> V/8, With Unitized Distributor & Functional Hood Scoop Note: Customer Must Reuse Their Original Plastic Connector For The Distributor Vacuum Solenoid Delay Relay.	\$371.00	
17080	1973	<b>ENGINE HARNESS</b> V/8, With A/C, Without Functional Hood Scoop	\$344.00	
40334	1973	<b>ENGINE HARNESS-HEI</b> V/8, With A/C, Without Functional Hood Scoop	\$371.00	
17085	1973	<b>ENGINE HARNESS</b> V/8, With A/C & Unitized Distributor, Without Functional Hood Scoop	\$371.00	
17030	1973	<b>ENGINE HARNESS</b> V/8, With A/C & Functional Hood Scoop Note: Customer Must Reuse Their Original Plastic Connector For The Distributor Vacuum Solenoid Delay Relay.	\$344.00	
40335	1973	<b>ENGINE HARNESS-HEI</b> V/8, With A/C & Functional Hood Scoop Note: Customer Must Reuse Their Original Plastic Connector For The Distributor Vacuum Solenoid Delay Relay.	\$371.00	
17035	1973	<b>ENGINE HARNESS</b> V/8, With A/C, Unitized Distributor & Functional Hood Scoop Note: Customer Must Reuse Their Original Plastic Connector For The Distributor Vacuum Solenoid Delay Relay.	\$371.00	
40642	1973	<b>ENGINE HARNESS</b> Ventura, V/8 350 C.I., Without Air Conditioning Note: Customer Must Reuse Their Original Plastic Connector For The Distributor Vacuum Solenoid Delay Relay.	\$344.00	
40336	1973	<b>ENGINE HARNESS-HEI</b> Ventura, V/8 350 C.I., Without Air Conditioning Note: Customer Must Reuse Their Original Plastic Connector For The Distributor Vacuum Solenoid Delay Relay.	\$371.00	
40643	1973	<b>ENGINE HARNESS</b> Ventura, V/8 350 C.I., With Air Conditioning Note: Customer Must Reuse Their Original Plastic Connector For The Distributor Vacuum Solenoid Delay Relay.	\$344.00	
40337	1973	<b>ENGINE HARNESS-HEI</b> Ventura, V/8 350 C.I., With Air Conditioning Note: Customer Must Reuse Their Original Plastic Connector For The Distributor Vacuum Solenoid Delay Relay.	\$371.00	
17100	1974	<b>ENGINE HARNESS</b> Tempest & Le Mans, 6 Cylinder Note: 6 Cylinder Items Are Not Returnable.	\$387.00	
38008	1974	<b>ENGINE HARNESS</b> Ventura, 6 Cylinder, With Auto Trans Note: 6 Cylinder Items Are Not Returnable.	\$304.00	
16595	1974	<b>ENGINE HARNESS</b> Ventura, 6 Cylinder, With Manual Trans Note: 6 Cylinder Items Are Not Returnable.	\$304.00	
17060	1974	<b>ENGINE HARNESS</b> Tempest & Le Mans, V/8, Without HEI Note: Customer Must Reuse Their Original Plastic Connector For The Seat Belt Control Switch.	\$344.00	
39509	1974	<b>ENGINE HARNESS</b> Tempest & Le Mans, V/8, With HEI Note: Customer Must Reuse Their Original Plastic Connector For The Seat Belt Control Switch.	\$371.00	
17110	1974	<b>ENGINE HARNESS</b> Tempest & Le Mans, V/8, With Unitized Distributor Note: Customer Must Reuse Their Original Plastic Connector For The Seat Belt Control Switch.	\$371.00	
40671	1974	<b>ENGINE HARNESS</b> GTO & Ventura, V/8	\$344.00	
40338	1974	<b>ENGINE HARNESS-HEI</b> GTO & Ventura, V/8	\$371.00	
40672	1974	<b>ENGINE HARNESS</b> GTO & Ventura, V/8, With A/C	\$344.00	
40339	1974	<b>ENGINE HARNESS-HEI</b> GTO & Ventura, V/8, With A/C	\$371.00	



Part Number	Year	Description	Price	*Rev.
40675	1974	<b>ENGINE HARNESS</b> GTO & Ventura, V/8, With Functional Hood Scoop	\$344.00	
40340	1974	<b>ENGINE HARNESS-HEI</b> GTO & Ventura, V/8, With Functional Hood Scoop	\$371.00	
40677	1974	<b>ENGINE HARNESS</b> GTO & Ventura, V/8, All With Gauges	\$344.00	
40341	1974	<b>ENGINE HARNESS-HEI</b> GTO & Ventura, V/8, All With Gauges	\$371.00	
40813	1975	<b>ENGINE HARNESS</b> 6 Cylinder, With Seat Belt Ignition Interlock Note: 6 Cylinder Items Are Not Returnable.	\$387.00	
40824	1975	<b>ENGINE HARNESS</b> 6 Cylinder, Without Seat Belt Ignition Interlock Note: 6 Cylinder Items Are Not Returnable.	\$387.00	
37622	1975	<b>ENGINE HARNESS</b> V/8, With Distributor Vacuum Solenoid	\$344.00	
40686	1975	<b>ENGINE HARNESS</b> V/8, With Seat Belt Ignition Interlock Note: Customer Must Reuse Their Original Plastic Connector For The Seat Belt Control Switch.	\$344.00	
40823	1975	<b>ENGINE HARNESS</b> V/8, Without Seat Belt Ignition Interlock	\$344.00	
40833	1975	<b>ENGINE HARNESS</b> V/8, With A/C, Except Seat Belt Ignition Interlock	\$344.00	
40826	1975	<b>ENGINE HARNESS</b> V/8, With A/C & Seat Belt Ignition Interlock Note: Customer Must Reuse Their Original Plastic Connector For The Seat Belt Control Switch.	\$344.00	
40828	1976	<b>ENGINE HARNESS</b> 6 Cylinder Note: 6 Cylinder Items Are Not Returnable.	\$387.00	
40843	1976	<b>ENGINE HARNESS</b> All, V/8, Except 260 C.I. Oldsmobile	\$344.00	
40846	1976	<b>ENGINE HARNESS</b> V/8, 260 C.I. Oldsmobile & Auto Trans	\$344.00	
40847	1976	<b>ENGINE HARNESS</b> V/8, 260 C.I. Oldsmobile, With 3 Speed Column Shift Or 5 Speed Floor Shift Manual Trans	\$344.00	
38617	1977	<b>ENGINE HARNESS</b> V/6	\$278.00	
38618	1977	<b>ENGINE HARNESS</b> V/8, Olds 350 & 403 C.I.	\$278.00	
38320	1977	<b>ENGINE HARNESS</b> V/8, Pontiac 301, 350 & 400 C.I.	\$305.00	
<b>FORCED AIR VENT HARNESS</b>				
40546	1969	<b>FORCED AIR VENT HARNESS</b> Blower Motor In Kick Panels, To Blower Switch In Dash	\$60.00	
40546	1970	<b>FORCED AIR VENT HARNESS</b> Blower Motor In Kick Panels, To Blower Switch In Dash	\$60.00	
<b>FORWARD LAMP HARNESS</b>				
04575	1964	<b>FORWARD LAMP HARNESS</b> 6 Cylinder Note: 6 Cylinder Items Are Not Returnable.	\$252.00	
04580	1964	<b>FORWARD LAMP HARNESS</b> V/8	\$229.00	
05715	1965	<b>FORWARD LAMP HARNESS</b> All	\$229.00	
09365	1966	<b>FORWARD LAMP HARNESS</b> All	\$229.00	
10265	1967	<b>FORWARD LAMP HARNESS</b> All	\$229.00	
11370	1968	<b>FORWARD LAMP HARNESS</b> Standard	\$252.00	
12355	1968	<b>FORWARD LAMP HARNESS</b> With Cornering Lamps	\$279.00	
12110	1968	<b>FORWARD LAMP HARNESS</b> With Tilt Headlights & Cornering Lamps	\$264.00	
41589	1969	<b>FORWARD LAMP HARNESS</b> Tempest, Le Mans & Custom S, Without Cornering Laps	\$318.00	
13405	1969	<b>FORWARD LAMP HARNESS</b> Tempest, Le Mans & Custom S, With Cornering Laps	\$291.00	
41588	1969	<b>FORWARD LAMP HARNESS</b> GTO, Without Tilt Headlights (Includes Cornering Lamps)	\$291.00	
12895	1969	<b>FORWARD LAMP HARNESS</b> GTO, With Tilt Headlights (Includes Cornering Lamps)	\$305.00	
13635	1970	<b>FORWARD LAMP HARNESS</b> GTO Only	\$291.00	
13630	1970	<b>FORWARD LAMP HARNESS</b> Tempest & Le Mans	\$305.00	
15910	1971	<b>FORWARD LAMP HARNESS</b> Tempest, Le Mans & GTO	\$305.00	
16055	1971	<b>FORWARD LAMP HARNESS</b> Ventura, 6 Cylinder Note: 6 Cylinder Items Are Not Returnable.	\$332.00	
16050	1971	<b>FORWARD LAMP HARNESS</b> Ventura, V/8	\$332.00	

Part Number	Year	Description	Price	*Rev.
40580	1971	<b>FORWARD LAMP HARNESS</b> Ventura, V/8, With Gauges	\$332.00	
16720	1972	<b>FORWARD LAMP HARNESS</b> Tempest, Le Mans & GTO	\$305.00	
40614	1972	<b>FORWARD LAMP HARNESS</b> Ventura, Without Pontiac 350 C.I. Eng	\$318.00	
40346	1972	<b>FORWARD LAMP HARNESS-SI SERIES INT REG ALT</b> Ventura, Without Pontiac 350 C.I. Eng Note: This Harness Must Be Used Together With A New Engine Harness Also Modified For Int. Reg. Alt.	\$318.00	
40615	1972	<b>FORWARD LAMP HARNESS</b> Ventura, With Pontiac 350 C.I. Eng	\$318.00	
16935	1973	<b>FORWARD LAMP HARNESS</b> Tempest, Le Mans & GTO	\$332.00	
18150	1973	<b>FORWARD LAMP HARNESS</b> Grand AM	\$344.00	
40629	1973	<b>FORWARD LAMP HARNESS</b> Ventura	\$344.00	
30680	1974	<b>FORWARD LAMP HARNESS</b> Tempest & Le Mans	\$359.00	
17055	1974	<b>FORWARD LAMP HARNESS</b> GTO Note: Customer Must Reuse Their Original Plastic Connector For The Seat Belt Control Switch.	\$318.00	
17050	1974	<b>FORWARD LAMP HARNESS</b> Ventura Note: Customer Must Reuse Their Original Plastic Connector For The Seat Belt Control Switch.	\$359.00	
40684	1975	<b>FORWARD LAMP HARNESS</b> Le Mans	\$344.00	
40829	1976	<b>FORWARD LAMP HARNESS</b> Le Mans	\$344.00	
40845	1977	<b>FORWARD LAMP HARNESS</b> Le Mans	\$344.00	
<b>FUEL TANK SENDER WIRE</b>				
11910	1968	<b>FUEL TANK SENDER WIRE</b> Wagon	\$30.00	
11455	1968	<b>FUEL TANK SENDER WIRE</b> All, Except Wagon	\$33.00	
11910	1969	<b>FUEL TANK SENDER WIRE</b> Wagon	\$30.00	
11455	1969	<b>FUEL TANK SENDER WIRE</b> All, Except Wagon	\$33.00	
11910	1970	<b>FUEL TANK SENDER WIRE</b> Wagon	\$30.00	
15795	1970	<b>FUEL TANK SENDER WIRE</b> All, Except Wagon	\$25.00	
11910	1971	<b>FUEL TANK SENDER WIRE</b> Wagon	\$30.00	
15795	1971	<b>FUEL TANK SENDER WIRE</b> All, Except Wagon	\$25.00	
39704	1971	<b>FUEL TANK SENDER WIRE</b> Ventura	\$25.00	
11910	1972	<b>FUEL TANK SENDER WIRE</b> Wagon	\$30.00	
15795	1972	<b>FUEL TANK SENDER WIRE</b> All, Except Wagon	\$25.00	
39704	1972	<b>FUEL TANK SENDER WIRE</b> Ventura	\$25.00	
40623	1973	<b>FUEL TANK SENDER WIRE</b> All, Except Wagon	\$33.00	
40603	1973	<b>FUEL TANK SENDER WIRE</b> Ventura	\$33.00	
40669	1974	<b>FUEL TANK SENDER WIRE</b> All, Except Wagon	\$33.00	
40603	1974	<b>FUEL TANK SENDER WIRE</b> Ventura	\$33.00	
40669	1975	<b>FUEL TANK SENDER WIRE</b> All, Except Wagon	\$33.00	
40669	1976	<b>FUEL TANK SENDER WIRE</b> All, Except Wagon	\$33.00	
<b>FUEL TANK SENDING UNIT</b>				
06428034	1968	<b>FUEL TANK SENDING UNIT</b> 3/8" Fuel Line, Single Outlet, Except Wagon	\$43.00	N
06428035	1968	<b>FUEL TANK SENDING UNIT</b> 3/8" Fuel Line, With 2nd Vent Line, Except Wagon	\$43.00	N
06428034	1969	<b>FUEL TANK SENDING UNIT</b> 3/8" Fuel Line, Single Outlet, Except Wagon	\$43.00	N
06428035	1969	<b>FUEL TANK SENDING UNIT</b> 3/8" Fuel Line, With 2nd Vent Line, Except Wagon	\$43.00	N
06428034	1970	<b>FUEL TANK SENDING UNIT</b> 3/8" Fuel Line, Single Outlet, Except Wagon	\$43.00	N
06428838	1971	<b>FUEL TANK SENDING UNIT</b> 3/8" Fuel Line, Single Outlet, Except Wagon	\$43.00	N
06428837	1971	<b>FUEL TANK SENDING UNIT</b> 3/8" Fuel Line, With 2nd Vent Line, Except Wagon	\$43.00	N
06428845	1971	<b>FUEL TANK SENDING UNIT</b> Ventura, 3/8" Fuel Line, Single Line, 350 Except A/C	\$43.00	N
06428844	1971	<b>FUEL TANK SENDING UNIT</b> Ventura, 5/16" Fuel Line, Single Line, Except 350	\$43.00	N
06428838	1972	<b>FUEL TANK SENDING UNIT</b> 3/8" Fuel Line, Single Outlet, Except Wagon	\$43.00	N

Part Number	Year	Description	Price	*Rev.
06428837	1972	FUEL TANK SENDING UNIT 3/8" Fuel Line, With 2nd Vent Line, Except Wagon	\$43.00	N
06428845	1972	FUEL TANK SENDING UNIT Ventura, 3/8" Fuel Line, Single Line, 350 Except A/C	\$43.00	N
06428844	1972	FUEL TANK SENDING UNIT Ventura, 5/16" Fuel Line, Single Line, Except 350	\$43.00	N
<b>GENERATOR TO REGULATOR HARNESS</b>				
40465	1962	GENERATOR TO REGULATOR HARNESS With 45 Amp Gen.	\$41.00	
<b>GLOVE BOX LAMP HARNESS</b>				
40502	1971	GLOVE BOX LAMP HARNESS Ventura	\$30.00	
40502	1972	GLOVE BOX LAMP HARNESS Ventura	\$30.00	
40647	1973	GLOVE BOX LAMP HARNESS With Electric Trunk Release	\$50.00	
40648	1973	GLOVE BOX LAMP HARNESS Without Electric Trunk Release	\$44.00	
40652	1973	GLOVE BOX LAMP HARNESS Without Under Dash Courtesy Lamp	\$44.00	
40653	1973	GLOVE BOX LAMP HARNESS With Under Dash Courtesy Lamp	\$50.00	
40502	1973	GLOVE BOX LAMP HARNESS Ventura	\$30.00	
40652	1974	GLOVE BOX LAMP HARNESS Without Under Dash Courtesy Lamp	\$44.00	
40653	1974	GLOVE BOX LAMP HARNESS With Under Dash Courtesy Lamp	\$50.00	
40502	1974	GLOVE BOX LAMP HARNESS Ventura	\$30.00	
40648	1974	GLOVE BOX LAMP HARNESS Without Electric Trunk Release	\$44.00	
40647	1974	GLOVE BOX LAMP HARNESS With Electric Trunk Release	\$50.00	
40652	1975	GLOVE BOX LAMP HARNESS Without Under Dash Courtesy Lamp	\$44.00	
40653	1975	GLOVE BOX LAMP HARNESS With Under Dash Courtesy Lamp	\$50.00	
40647	1975	GLOVE BOX LAMP HARNESS With Electric Trunk Release	\$50.00	
40648	1975	GLOVE BOX LAMP HARNESS Without Electric Trunk Release	\$44.00	
40647	1976	GLOVE BOX LAMP HARNESS With Cigarette Lighter Lamp & Electric Trunk Release	\$50.00	
40648	1976	GLOVE BOX LAMP HARNESS With Cigarette Lighter Lamp, Without Electric Trunk Release	\$44.00	
40852	1976	GLOVE BOX LAMP HARNESS Without Cigarette Lighter Lamp Or Electric Trunk Release	\$44.00	
40647	1977	GLOVE BOX LAMP HARNESS With Electric Trunk Release	\$50.00	
40648	1977	GLOVE BOX LAMP HARNESS Without Electric Trunk Release	\$44.00	
<b>GLOVE BOX LAMP KIT</b>				
18000	1961	GLOVE BOX LAMP KIT Socket, Bulb & Wire	\$24.00	
18000	1962	GLOVE BOX LAMP KIT Socket, Bulb & Wire	\$24.00	
18000	1963	GLOVE BOX LAMP KIT Socket, Bulb & Wire	\$24.00	
18000	1964	GLOVE BOX LAMP KIT Socket, Bulb & Wire	\$24.00	
18000	1965	GLOVE BOX LAMP KIT Socket, Bulb & Wire	\$24.00	
18000	1966	GLOVE BOX LAMP KIT Socket, Bulb & Wire	\$24.00	
18000	1967	GLOVE BOX LAMP KIT Socket, Bulb & Wire	\$24.00	
18000	1968	GLOVE BOX LAMP KIT Socket, Bulb & Wire	\$24.00	
18000	1969	GLOVE BOX LAMP KIT Socket, Bulb & Wire	\$24.00	
<b>GLOVE BOX LAMP WIRE</b>				
40481	1964	GLOVE BOX LAMP WIRE Fuse Block To Switch Note: Wire Only, Switch Not Included.	\$29.00	
<b>GROUND WIRE</b>				
40450	1961	GROUND WIRE Heater Blower Motor Note: Heater Only.	\$21.00	
40450	1962	GROUND WIRE Heater Blower Motor Note: Heater Only.	\$21.00	

Part Number	Year	Description	Price	*Rev.
40450	1963	<b>GROUND WIRE</b> Heater Blower Motor Note: Heater Only.	\$21.00	
40668	1973	<b>GROUND WIRE</b> Dash Harness To A/C Control Head	\$21.00	
40724	1974	<b>GROUND WIRE</b> Power Seat	\$21.00	
40608	1974	<b>GROUND WIRE</b> Ventura, A/C Control Unit Ground	\$21.00	
40724	1975	<b>GROUND WIRE</b> Power Seat	\$21.00	
40724	1976	<b>GROUND WIRE</b> Power Seat	\$21.00	
40863	1977	<b>GROUND WIRE</b> Vanity Mirror, Passenger Side Sunshade	\$17.00	
40724	1977	<b>GROUND WIRE</b> Power Seat	\$21.00	
40487	1977	<b>GROUND WIRE</b> All, Blower Motor	\$21.00	
<b>GROUND WIRE-DISTRIBUTOR POINT PLATE</b>				
38298	1961	<b>GROUND WIRE, DISTRIBUTOR POINT PLATE</b> From Distributor Point Plate To Distributor Housing Note: Replaces Spot Welded Wire Asm On Point Plate Side. Fits All GM V/8 Point Type Distributors From Approx. 1957-1974.	\$17.00	C
38298	1962	<b>GROUND WIRE, DISTRIBUTOR POINT PLATE</b> From Distributor Point Plate To Distributor Housing Note: Replaces Spot Welded Wire Asm On Point Plate Side. Fits All GM V/8 Point Type Distributors From Approx. 1957-1974.	\$17.00	C
38298	1963	<b>GROUND WIRE, DISTRIBUTOR POINT PLATE</b> From Distributor Point Plate To Distributor Housing Note: Replaces Spot Welded Wire Asm On Point Plate Side. Fits All GM V/8 Point Type Distributors From Approx. 1957-1974.	\$17.00	C
38298	1964	<b>GROUND WIRE, DISTRIBUTOR POINT PLATE</b> From Distributor Point Plate To Distributor Housing Note: Replaces Spot Welded Wire Asm On Point Plate Side. Fits All GM V/8 Point Type Distributors From Approx. 1957-1974.	\$17.00	C
38298	1965	<b>GROUND WIRE, DISTRIBUTOR POINT PLATE</b> From Distributor Point Plate To Distributor Housing Note: Replaces Spot Welded Wire Asm On Point Plate Side. Fits All GM V/8 Point Type Distributors From Approx. 1957-1974.	\$17.00	C
38298	1966	<b>GROUND WIRE, DISTRIBUTOR POINT PLATE</b> From Distributor Point Plate To Distributor Housing Note: Replaces Spot Welded Wire Asm On Point Plate Side. Fits All GM V/8 Point Type Distributors From Approx. 1957-1974.	\$17.00	C
38298	1967	<b>GROUND WIRE, DISTRIBUTOR POINT PLATE</b> From Distributor Point Plate To Distributor Housing Note: Replaces Spot Welded Wire Asm On Point Plate Side. Fits All GM V/8 Point Type Distributors From Approx. 1957-1974.	\$17.00	C
38298	1968	<b>GROUND WIRE, DISTRIBUTOR POINT PLATE</b> From Distributor Point Plate To Distributor Housing Note: Replaces Spot Welded Wire Asm On Point Plate Side. Fits All GM V/8 Point Type Distributors From Approx. 1957-1974.	\$17.00	C
38298	1969	<b>GROUND WIRE, DISTRIBUTOR POINT PLATE</b> From Distributor Point Plate To Distributor Housing Note: Replaces Spot Welded Wire Asm On Point Plate Side. Fits All GM V/8 Point Type Distributors From Approx. 1957-1974.	\$17.00	C
38298	1970	<b>GROUND WIRE, DISTRIBUTOR POINT PLATE</b> From Distributor Point Plate To Distributor Housing Note: Replaces Spot Welded Wire Asm On Point Plate Side. Fits All GM V/8 Point Type Distributors From Approx. 1957-1974.	\$17.00	C
38298	1971	<b>GROUND WIRE, DISTRIBUTOR POINT PLATE</b> From Distributor Point Plate To Distributor Housing Note: Replaces Spot Welded Wire Asm On Point Plate Side. Fits All GM V/8 Point Type Distributors From Approx. 1957-1974.	\$17.00	C
38298	1972	<b>GROUND WIRE, DISTRIBUTOR POINT PLATE</b> From Distributor Point Plate To Distributor Housing Note: Replaces Spot Welded Wire Asm On Point Plate Side. Fits All GM V/8 Point Type Distributors From Approx. 1957-1974.	\$17.00	C
38298	1973	<b>GROUND WIRE, DISTRIBUTOR POINT PLATE</b> From Distributor Point Plate To Distributor Housing Note: Replaces Spot Welded Wire Asm On Point Plate Side. Fits All GM V/8 Point Type Distributors From Approx. 1957-1974.	\$17.00	C
38298	1974	<b>GROUND WIRE, DISTRIBUTOR POINT PLATE</b> From Distributor Point Plate To Distributor Housing Note: Replaces Spot Welded Wire Asm On Point Plate Side. Fits All GM V/8 Point Type Distributors From Approx. 1957-1974.	\$17.00	C
<b>HARNESSTAPE</b>				
R0058272	1961	<b>HARNESSTAPE</b> 3/4" Vinyl (100 Ft. Roll) Non-Adhesive	\$12.00	
R0058276	1961	<b>HARNESSTAPE</b> 1" Vinyl (100 Ft. Roll) Non-Adhesive	\$13.00	
R0067108	1961	<b>HARNESSTAPE</b> 1 1/4" Vinyl (100 Ft. Roll) Non-Adhesive	\$15.00	
R0058272	1962	<b>HARNESSTAPE</b> 3/4" Vinyl (100 Ft. Roll) Non-Adhesive	\$12.00	
R0058276	1962	<b>HARNESSTAPE</b> 1" Vinyl (100 Ft. Roll) Non-Adhesive	\$13.00	
R0067108	1962	<b>HARNESSTAPE</b> 1 1/4" Vinyl (100 Ft. Roll) Non-Adhesive	\$15.00	
R0058272	1963	<b>HARNESSTAPE</b> 3/4" Vinyl (100 Ft. Roll) Non-Adhesive	\$12.00	
R0058276	1963	<b>HARNESSTAPE</b> 1" Vinyl (100 Ft. Roll) Non-Adhesive	\$13.00	

Part Number	Year	Description	Price	*Rev.
R0067108	1963	HARNESS TAPE 1 1/4" Vinyl (100 Ft. Roll) Non-Adhesive	\$15.00	
R0058272	1964	HARNESS TAPE 3/4" Vinyl (100 Ft. Roll) Non-Adhesive	\$12.00	
R0058276	1964	HARNESS TAPE 1" Vinyl (100 Ft. Roll) Non-Adhesive	\$13.00	
R0067108	1964	HARNESS TAPE 1 1/4" Vinyl (100 Ft. Roll) Non-Adhesive	\$15.00	
R0058272	1965	HARNESS TAPE 3/4" Vinyl (100 Ft. Roll) Non-Adhesive	\$12.00	
R0058276	1965	HARNESS TAPE 1" Vinyl (100 Ft. Roll) Non-Adhesive	\$13.00	
R0067108	1965	HARNESS TAPE 1 1/4" Vinyl (100 Ft. Roll) Non-Adhesive	\$15.00	
R0058272	1966	HARNESS TAPE 3/4" Vinyl (100 Ft. Roll) Non-Adhesive	\$12.00	
R0058276	1966	HARNESS TAPE 1" Vinyl (100 Ft. Roll) Non-Adhesive	\$13.00	
R0067108	1966	HARNESS TAPE 1 1/4" Vinyl (100 Ft. Roll) Non-Adhesive	\$15.00	
R0058272	1967	HARNESS TAPE 3/4" Vinyl (100 Ft. Roll) Non-Adhesive	\$12.00	
R0058276	1967	HARNESS TAPE 1" Vinyl (100 Ft. Roll) Non-Adhesive	\$13.00	
R0067108	1967	HARNESS TAPE 1 1/4" Vinyl (100 Ft. Roll) Non-Adhesive	\$15.00	
R0058272	1968	HARNESS TAPE 3/4" Vinyl (100 Ft. Roll) Non-Adhesive	\$12.00	
R0058276	1968	HARNESS TAPE 1" Vinyl (100 Ft. Roll) Non-Adhesive	\$13.00	
R0067108	1968	HARNESS TAPE 1 1/4" Vinyl (100 Ft. Roll) Non-Adhesive	\$15.00	
R0058272	1969	HARNESS TAPE 3/4" Vinyl (100 Ft. Roll) Non-Adhesive	\$12.00	
R0058276	1969	HARNESS TAPE 1" Vinyl (100 Ft. Roll) Non-Adhesive	\$13.00	
R0067108	1969	HARNESS TAPE 1 1/4" Vinyl (100 Ft. Roll) Non-Adhesive	\$15.00	
R0058272	1970	HARNESS TAPE 3/4" Vinyl (100 Ft. Roll) Non-Adhesive	\$12.00	
R0058276	1970	HARNESS TAPE 1" Vinyl (100 Ft. Roll) Non-Adhesive	\$13.00	
R0067108	1970	HARNESS TAPE 1 1/4" Vinyl (100 Ft. Roll) Non-Adhesive	\$15.00	
R0058272	1971	HARNESS TAPE 3/4" Vinyl (100 Ft. Roll) Non-Adhesive	\$12.00	
R0058276	1971	HARNESS TAPE 1" Vinyl (100 Ft. Roll) Non-Adhesive	\$13.00	
R0067108	1971	HARNESS TAPE 1 1/4" Vinyl (100 Ft. Roll) Non-Adhesive	\$15.00	
R0058272	1972	HARNESS TAPE 3/4" Vinyl (100 Ft. Roll) Non-Adhesive	\$12.00	
R0058276	1972	HARNESS TAPE 1" Vinyl (100 Ft. Roll) Non-Adhesive	\$13.00	
R0067108	1972	HARNESS TAPE 1 1/4" Vinyl (100 Ft. Roll) Non-Adhesive	\$15.00	
R0058272	1973	HARNESS TAPE 3/4" Vinyl (100 Ft. Roll) Non-Adhesive	\$12.00	
R0058276	1973	HARNESS TAPE 1" Vinyl (100 Ft. Roll) Non-Adhesive	\$13.00	
R0067108	1973	HARNESS TAPE 1 1/4" Vinyl (100 Ft. Roll) Non-Adhesive	\$15.00	
R0058272	1974	HARNESS TAPE 3/4" Vinyl (100 Ft. Roll) Non-Adhesive	\$12.00	
R0058276	1974	HARNESS TAPE 1" Vinyl (100 Ft. Roll) Non-Adhesive	\$13.00	
R0067108	1974	HARNESS TAPE 1 1/4" Vinyl (100 Ft. Roll) Non-Adhesive	\$15.00	
R0058272	1975	HARNESS TAPE 3/4" Vinyl (100 Ft. Roll) Non-Adhesive	\$12.00	
R0058276	1975	HARNESS TAPE 1" Vinyl (100 Ft. Roll) Non-Adhesive	\$13.00	
R0067108	1975	HARNESS TAPE 1 1/4" Vinyl (100 Ft. Roll) Non-Adhesive	\$15.00	
R0058272	1976	HARNESS TAPE 3/4" Vinyl (100 Ft. Roll) Non-Adhesive	\$12.00	
R0058276	1976	HARNESS TAPE 1" Vinyl (100 Ft. Roll) Non-Adhesive	\$13.00	
R0067108	1976	HARNESS TAPE 1 1/4" Vinyl (100 Ft. Roll) Non-Adhesive	\$15.00	
R0058272	1977	HARNESS TAPE 3/4" Vinyl (100 Ft. Roll) Non-Adhesive	\$12.00	
R0058276	1977	HARNESS TAPE 1" Vinyl (100 Ft. Roll) Non-Adhesive	\$13.00	
R0067108	1977	HARNESS TAPE 1 1/4" Vinyl (100 Ft. Roll) Non-Adhesive	\$15.00	
R0058272	1978	HARNESS TAPE 3/4" Vinyl (100 Ft. Roll) Non-Adhesive	\$12.00	
R0058276	1978	HARNESS TAPE 1" Vinyl (100 Ft. Roll) Non-Adhesive	\$13.00	
R0067108	1978	HARNESS TAPE 1 1/4" Vinyl (100 Ft. Roll) Non-Adhesive	\$15.00	
R0058272	1979	HARNESS TAPE 3/4" Vinyl (100 Ft. Roll) Non-Adhesive	\$12.00	

Part Number	Year	Description	Price	*Rev.
R0058276	1979	<b>HARNESS TAPE</b> 1" Vinyl (100 Ft. Roll) Non-Adhesive	\$13.00	
R0067108	1979	<b>HARNESS TAPE</b> 1 1/4" Vinyl (100 Ft. Roll) Non-Adhesive	\$15.00	
R0058272	1980	<b>HARNESS TAPE</b> 3/4" Vinyl (100 Ft. Roll) Non-Adhesive	\$12.00	
R0058276	1980	<b>HARNESS TAPE</b> 1" Vinyl (100 Ft. Roll) Non-Adhesive	\$13.00	
R0067108	1980	<b>HARNESS TAPE</b> 1 1/4" Vinyl (100 Ft. Roll) Non-Adhesive	\$15.00	
R0058272	1981	<b>HARNESS TAPE</b> 3/4" Vinyl (100 Ft. Roll) Non-Adhesive	\$12.00	
R0058276	1981	<b>HARNESS TAPE</b> 1" Vinyl (100 Ft. Roll) Non-Adhesive	\$13.00	
R0067108	1981	<b>HARNESS TAPE</b> 1 1/4" Vinyl (100 Ft. Roll) Non-Adhesive	\$15.00	
R0058272	1982	<b>HARNESS TAPE</b> 3/4" Vinyl (100 Ft. Roll) Non-Adhesive	\$12.00	
R0058276	1982	<b>HARNESS TAPE</b> 1" Vinyl (100 Ft. Roll) Non-Adhesive	\$13.00	
R0067108	1982	<b>HARNESS TAPE</b> 1 1/4" Vinyl (100 Ft. Roll) Non-Adhesive	\$15.00	
R0058272	1983	<b>HARNESS TAPE</b> 3/4" Vinyl (100 Ft. Roll) Non-Adhesive	\$12.00	
R0058276	1983	<b>HARNESS TAPE</b> 1" Vinyl (100 Ft. Roll) Non-Adhesive	\$13.00	
R0067108	1983	<b>HARNESS TAPE</b> 1 1/4" Vinyl (100 Ft. Roll) Non-Adhesive	\$15.00	
R0058272	1984	<b>HARNESS TAPE</b> 3/4" Vinyl (100 Ft. Roll) Non-Adhesive	\$12.00	
R0058276	1984	<b>HARNESS TAPE</b> 1" Vinyl (100 Ft. Roll) Non-Adhesive	\$13.00	
R0067108	1984	<b>HARNESS TAPE</b> 1 1/4" Vinyl (100 Ft. Roll) Non-Adhesive	\$15.00	
R0058272	1985	<b>HARNESS TAPE</b> 3/4" Vinyl (100 Ft. Roll) Non-Adhesive	\$12.00	
R0058276	1985	<b>HARNESS TAPE</b> 1" Vinyl (100 Ft. Roll) Non-Adhesive	\$13.00	
R0067108	1985	<b>HARNESS TAPE</b> 1 1/4" Vinyl (100 Ft. Roll) Non-Adhesive	\$15.00	
R0058272	1986	<b>HARNESS TAPE</b> 3/4" Vinyl (100 Ft. Roll) Non-Adhesive	\$12.00	
R0058276	1986	<b>HARNESS TAPE</b> 1" Vinyl (100 Ft. Roll) Non-Adhesive	\$13.00	
R0067108	1986	<b>HARNESS TAPE</b> 1 1/4" Vinyl (100 Ft. Roll) Non-Adhesive	\$15.00	
<b>HEADLAMP DELAY CONTROL HARNESS</b>				
40574	1970	<b>HEADLAMP DELAY CONTROL HARNESS</b> Fuse Block To Headlamp Delay Relay	\$48.00	
40570	1970	<b>HEADLAMP DELAY CONTROL HARNESS</b> Field Installed, Fuse Block To Headlamp Delay Relay	\$48.00	
40570	1971	<b>HEADLAMP DELAY CONTROL HARNESS</b> Field Installed, Fuse Block To Headlamp Delay Relay	\$48.00	
<b>HEADLIGHT SWITCH</b>				
01995216	1976	<b>HEADLIGHT SWITCH</b>	\$20.00	N
01995216	1977	<b>HEADLIGHT SWITCH</b>	\$20.00	N
<b>HEATER BLOWER MOTOR RESISTOR</b>				
03929052	1971	<b>HEATER BLOWER MOTOR RESISTOR</b>	\$15.00	N
03929052	1972	<b>HEATER BLOWER MOTOR RESISTOR</b>	\$15.00	N
03929052	1973	<b>HEATER BLOWER MOTOR RESISTOR</b>	\$15.00	N
03929052	1974	<b>HEATER BLOWER MOTOR RESISTOR</b>	\$15.00	N
03929052	1975	<b>HEATER BLOWER MOTOR RESISTOR</b>	\$15.00	N
<b>HEATER HARNESS</b>				
40451	1961	<b>HEATER HARNESS</b> Without A/C, (Field Installed Only), Blower Switch In Dash To Blower Motor	\$105.00	
40463	1962	<b>HEATER HARNESS</b> Without A/C, (Field Installed Only)	\$105.00	
17260	1966	<b>HEATER HARNESS</b> Without A/C	\$41.00	
17260	1967	<b>HEATER HARNESS</b> Without A/C	\$41.00	
17265	1968	<b>HEATER HARNESS</b> Without A/C	\$48.00	
17270	1969	<b>HEATER HARNESS</b> Without A/C	\$43.00	
17270	1970	<b>HEATER HARNESS</b> Without A/C	\$43.00	
17270	1971	<b>HEATER HARNESS</b> Without A/C	\$43.00	

Part Number	Year	Description	Price	*Rev.
17270	1972	<b>HEATER HARNESS</b> Without A/C	\$43.00	
40636	1973	<b>HEATER HARNESS</b> Without A/C, Blower Switch To Dash Harness Feed Wire	\$67.00	
40637	1973	<b>HEATER HARNESS</b> Without A/C, Heater Resistor To Blower Motor, (1st Design) Note: Wires Exit Through Center Of Firewall. Customer Must Supply Their Original Harness.	\$67.00	
40662	1973	<b>HEATER HARNESS</b> Without A/C, Heater Resistor To Blower Motor, (2nd Design) Note: Wires Exit Through Firewall, Outboard Of Blower Motor.	\$67.00	
40661	1974	<b>HEATER HARNESS</b> Without A/C, Blower Switch To Dash Harness Feed Wire	\$67.00	
40662	1974	<b>HEATER HARNESS</b> Without A/C, Heater Resistor To Blower Motor	\$67.00	
40662	1975	<b>HEATER HARNESS</b> Without A/C, Heater Resistor To Blower Motor	\$67.00	
40812	1975	<b>HEATER HARNESS</b> Without A/C, Blower Switch To Dash Harness Feed Wire	\$67.00	
40837	1976	<b>HEATER HARNESS</b> Without A/C	\$67.00	
40837	1977	<b>HEATER HARNESS</b> Without A/C	\$67.00	
<b>HEATER SWITCH CONNECTOR JUMPER</b>				
03245	1961	<b>HEATER SWITCH CONNECTOR JUMPER</b> With Manual Heater Only Note: Used To Jump Wires Together On The Master Control Switch Connector For Manual Heater Cars.	\$17.00	
03245	1962	<b>HEATER SWITCH CONNECTOR JUMPER</b> With Manual Heater Note: Used To Jump Wires Together On The Master Control Switch Connector For Manual Heater Cars.	\$17.00	
<b>HOOD LAMP REPLACEMENT KIT</b>				
18410	1964	<b>HOOD LAMP KIT</b> Under Hood, Includes Socket, Wire & Bulb	\$60.00	C
18410	1965	<b>HOOD LAMP KIT</b> Under Hood, Includes Socket, Wire & Bulb	\$60.00	C
18410	1966	<b>HOOD LAMP KIT</b> Under Hood, Includes Socket, Wire & Bulb	\$60.00	C
18410	1967	<b>HOOD LAMP KIT</b> Under Hood, Includes Socket, Wire & Bulb	\$60.00	C
18410	1968	<b>HOOD LAMP KIT</b> Under Hood, Includes Socket, Wire & Bulb	\$60.00	C
18410	1969	<b>HOOD LAMP KIT</b> Under Hood, Includes Socket, Wire & Bulb	\$60.00	C
18410	1970	<b>HOOD LAMP KIT</b> Under Hood, Includes Socket, Wire & Bulb	\$60.00	C
18410	1971	<b>HOOD LAMP KIT</b> Under Hood, Includes Socket, Wire & Bulb	\$60.00	C
18410	1972	<b>HOOD LAMP KIT</b> Under Hood, Includes Socket, Wire & Bulb	\$60.00	C
18410	1973	<b>HOOD LAMP KIT</b> Under Hood, Includes Socket, Wire & Bulb	\$60.00	C
18410	1974	<b>HOOD LAMP KIT</b> Under Hood, Includes Socket, Wire & Bulb	\$60.00	C
18410	1975	<b>HOOD LAMP KIT</b> Under Hood, Includes Socket, Wire & Bulb	\$60.00	C
18410	1976	<b>HOOD LAMP KIT</b> Under Hood, Includes Socket, Wire & Bulb	\$60.00	C
18410	1977	<b>HOOD LAMP KIT</b> Under Hood, Includes Socket, Wire & Bulb	\$60.00	C
<b>HOOD LAMP WIRE</b>				
40740	1964	<b>HOOD LAMP WIRE</b> Fuse Block To Underhood Lamp Switch Note: Used With The Factory Type Underhood Lamp.	\$17.00	
40576	1971	<b>HOOD LAMP WIRE</b> Horn Relay To Under Hood Lamp Switch Note: Used With The Factory Type Underhood Lamp.	\$27.00	
40578	1971	<b>HOOD LAMP WIRE</b> Under Hood Lamp To Switch Note: Used With The Factory Type Underhood Lamp.	\$17.00	
40578	1972	<b>HOOD LAMP WIRE</b> Under Hood Lamp To Switch Note: Used With The Factory Type Underhood Lamp.	\$17.00	
40609	1972	<b>HOOD LAMP WIRE</b> Fuse Block To Under Hood Lamp Switch Note: Used With The Factory Type Underhood Lamp.	\$34.00	
<b>HORN EXTENSION WIRE</b>				
40651	1973	<b>HORN EXTENSION WIRE</b> Left Horn To Forward Lamp Harness	\$17.00	
40651	1975	<b>HORN EXTENSION WIRE</b> Left Horn To Forward Lamp Harness	\$17.00	

Part Number	Year	Description	Price	*Rev.
<b>HORN WIRE</b>				
40445	1961	HORN WIRE Dual Horns	\$27.00	
40445	1962	HORN WIRE Dual Horns	\$27.00	
40445	1963	HORN WIRE Dual Horns	\$27.00	
39350	1964	HORN WIRE Dual Horn	\$25.00	
40644	1973	HORN WIRE Ventura, Dual Horn Option	\$27.00	
40644	1974	HORN WIRE Ventura, Dual Horn Option	\$27.00	
<b>IDLE STOP SOLENOID EXTENSION WIRE</b>				
40516	1969	IDLE STOP SOLENOID EXTENSION WIRE 6 Cylinder, With 4 Bbl Carb Note: 6 Cylinder Items Are Not Returnable.	\$34.00	
40516	1970	IDLE STOP SOLENOID EXTENSION WIRE 6 Cylinder, With 4 Bbl Carb Note: 6 Cylinder Items Are Not Returnable.	\$34.00	
<b>IDLE STOP SOLENOID HARNESS</b>				
40477	1963	IDLE STOP SOLENOID HARNESS 4 Cylinder, 195 C.I. Engine, With Auto Trans & A/C	\$34.00	C
<b>IDLE STOP SOLENOID WIRE</b>				
40617	1973	IDLE STOP SOLENOID WIRE V/8, 400 & 455 C.I., Engine Harness To Solenoid	\$34.00	
40617	1973	IDLE STOP SOLENOID WIRE Ventura, V/8, 350 C.I., With Manual Trans	\$34.00	
40617	1974	IDLE STOP SOLENOID WIRE V/8, With Manual Trans	\$34.00	
40617	1974	IDLE STOP SOLENOID WIRE Ventura, V/8, 350 C.I., With Manual Trans	\$34.00	
<b>IGNITION CYLINDER AND KEYS</b>				
20071252	1969	IGNITION CYLINDER AND KEYS Chrome, All	\$18.50	N
20071252	1970	IGNITION CYLINDER AND KEYS Chrome, All	\$18.50	N
20071252	1971	IGNITION CYLINDER AND KEYS Chrome, All	\$18.50	N
20071252	1972	IGNITION CYLINDER AND KEYS Chrome, All	\$18.50	N
20071252	1973	IGNITION CYLINDER AND KEYS Chrome, All	\$18.50	N
20071252	1974	IGNITION CYLINDER AND KEYS Chrome, All	\$18.50	N
20071252	1975	IGNITION CYLINDER AND KEYS Chrome, All	\$18.50	N
20071252	1976	IGNITION CYLINDER AND KEYS Chrome, All	\$18.50	N
20071252	1977	IGNITION CYLINDER AND KEYS Chrome, All	\$18.50	N
20071252	1978	IGNITION CYLINDER AND KEYS Chrome, All, 1st Design, Used On Columns Without Lock Cylinder Retaining Screw	\$18.50	N
07833759	1978	IGNITION CYLINDER AND KEYS Chrome, Lemans, 2nd Design, Used On Columns With Lock Cylinder Retaining Screw	\$18.50	N
07833759	1979	IGNITION CYLINDER AND KEYS Chrome, Lemans	\$18.50	N
07833759	1980	IGNITION CYLINDER AND KEYS Chrome, Lemans	\$18.50	N
07833759	1981	IGNITION CYLINDER AND KEYS Chrome, Lemans	\$18.50	N
<b>IGNITION SWITCH</b>				
01990110	1969	IGNITION SWITCH All, With Tilt	\$14.00	N
01990110	1970	IGNITION SWITCH All, With Tilt	\$14.00	N
01990110	1971	IGNITION SWITCH All, With Tilt	\$14.00	N
01990110	1972	IGNITION SWITCH All, With Tilt	\$14.00	N
01990110	1973	IGNITION SWITCH All, With Tilt	\$14.00	N
01990110	1974	IGNITION SWITCH All, With Tilt	\$14.00	N
01990110	1975	IGNITION SWITCH All, With Tilt	\$14.00	N
01990110	1976	IGNITION SWITCH All, With Tilt	\$14.00	N
01990110	1977	IGNITION SWITCH All, With Tilt	\$14.00	N



Part Number	Year	Description	Price	*Rev.
01990110	1978	<b>IGNITION SWITCH</b> All, With Tilt	\$14.00	N
01990110	1979	<b>IGNITION SWITCH</b> All, With Tilt	\$14.00	N
01990110	1980	<b>IGNITION SWITCH</b> All, With Tilt	\$14.00	N
01990110	1981	<b>IGNITION SWITCH</b> All, With Tilt	\$14.00	N
01990110	1982	<b>IGNITION SWITCH</b> All, With Tilt	\$14.00	N
01990110	1983	<b>IGNITION SWITCH</b> All, With Tilt	\$14.00	N
01990110	1984	<b>IGNITION SWITCH</b> All, With Tilt	\$14.00	N
01990110	1985	<b>IGNITION SWITCH</b> All, With Tilt	\$14.00	N
01990110	1986	<b>IGNITION SWITCH</b> All, With Tilt	\$14.00	N
01990110	1987	<b>IGNITION SWITCH</b> All, With Tilt	\$14.00	N
<b>IGNITION SWITCH JUMPER HARNESS</b>				
40573	1969	<b>IGNITION SWITCH JUMPER HARNESS</b> Used With Ram Air V Tunnel Port Engine Only Note: Used To By-Pass Resistance Wire In Dash Harness.	\$30.00	
<b>IGNITION SWITCH LAMP</b>				
40499	1967	<b>IGNITION SWITCH LAMP</b> Bulb Socket & Wire	\$27.00	
<b>IGNITION SWITCH LAMP WIRE</b>				
40506	1968	<b>IGNITION SWITCH LAMP WIRE</b> Fiber Optic Cable	\$30.00	
<b>INSTRUMENT GAUGE CLUSTER CLIP KIT</b>				
08986000	1976	<b>CLIP KIT</b> Le Mans, Ventura, All, Instrument Gauge Cluster / Printed Circuit Board Retaining Clip Note: Replaces Original GM Part Number 08986000, Includes 12 Clips Per Kit.	\$14.00	N
08986000	1977	<b>CLIP KIT</b> Le Mans, Ventura, All, Instrument Gauge Cluster / Printed Circuit Board Retaining Clip Note: Replaces Original GM Part Number 08986000, Includes 12 Clips Per Kit.	\$14.00	N
08986000	1978	<b>CLIP KIT</b> Grand Am, Le Mans, All, Instrument Gauge Cluster / Printed Circuit Board Retaining Clip Note: Replaces Original GM Part Number 08986000, Includes 12 Clips Per Kit.	\$14.00	N
08986000	1979	<b>CLIP KIT</b> Grand Am, Le Mans, All, Instrument Gauge Cluster / Printed Circuit Board Retaining Clip Note: Replaces Original GM Part Number 08986000, Includes 12 Clips Per Kit.	\$14.00	N
08986000	1980	<b>CLIP KIT</b> Grand Am, Le Mans, All, Instrument Gauge Cluster / Printed Circuit Board Retaining Clip Note: Replaces Original GM Part Number 08986000, Includes 12 Clips Per Kit.	\$14.00	N
08986000	1981	<b>CLIP KIT</b> Grand Prix, Le Mans, All, Instrument Gauge Cluster / Printed Circuit Board Retaining Clip Note: Replaces Original GM Part Number 08986000, Includes 12 Clips Per Kit.	\$14.00	N
<b>INSTRUMENT PANEL LAMP HARNESS</b>				
39301	1968	<b>INSTRUMENT PANEL LAMP HARNESS</b> Used With Dash Mounted Tachometer Or Clock	\$40.00	
39301	1969	<b>INSTRUMENT PANEL LAMP HARNESS</b> Used With Dash Mounted Tachometer Or Clock	\$40.00	
39301	1970	<b>INSTRUMENT PANEL LAMP HARNESS</b> Used With Dash Mounted Tachometer Or Clock	\$40.00	
39301	1971	<b>INSTRUMENT PANEL LAMP HARNESS</b> Used With Dash Mounted Tachometer Or Clock	\$40.00	
39301	1972	<b>INSTRUMENT PANEL LAMP HARNESS</b> Used With Dash Mounted Tachometer Or Clock	\$40.00	
<b>KICKDOWN HARNESS</b>				
40485	1964	<b>KICKDOWN HARNESS</b> TH400 Auto Trans	\$53.00	
<b>KICKDOWN SWITCH</b>				
01242101	1967	<b>KICKDOWN SWITCH</b> TH400 Auto Trans	\$19.00	
01242101	1968	<b>KICKDOWN SWITCH</b> TH400 Auto Trans	\$19.00	
01242101	1969	<b>KICKDOWN SWITCH</b> TH400 Auto Trans	\$19.00	

Part Number	Year	Description	Price	*Rev.
01242101	1970	KICKDOWN SWITCH TH400 Auto Trans	\$19.00	
01242101	1971	KICKDOWN SWITCH TH400 Auto Trans	\$19.00	
01242101	1972	KICKDOWN SWITCH TH400 Auto Trans	\$19.00	
01242101	1973	KICKDOWN SWITCH TH400 Auto Trans	\$19.00	
01242101	1974	KICKDOWN SWITCH TH400 Auto Trans	\$19.00	
01242101	1976	KICKDOWN SWITCH Lemans, TH400, Auto Trans	\$19.00	
01242101	1977	KICKDOWN SWITCH Lemans, TH400, Auto Trans	\$19.00	
<b>LICENSE LAMP HARNESS</b>				
40634	1973	LICENSE LAMP HARNESS All, Except Wagon	\$33.00	
<b>LOW FUEL INDICATOR MODULE</b>				
500274	1961	<b>LOW FUEL INDICATOR MODULE</b> Generic "Adjustable" Low Fuel Warning Module Note: A Complete Electronic Control Unit To Activate A Warning Lamp Or Relay When Fuel Level Drops Below A User Adjustable Level. Includes instruction sheet.	\$64.00	C
500274	1962	<b>LOW FUEL INDICATOR MODULE</b> Generic "Adjustable" Low Fuel Warning Module Note: A Complete Electronic Control Unit To Activate A Warning Lamp Or Relay When Fuel Level Drops Below A User Adjustable Level. Includes instruction sheet.	\$64.00	C
500274	1963	<b>LOW FUEL INDICATOR MODULE</b> Generic "Adjustable" Low Fuel Warning Module Note: A Complete Electronic Control Unit To Activate A Warning Lamp Or Relay When Fuel Level Drops Below A User Adjustable Level. Includes instruction sheet.	\$64.00	C
500274	1964	<b>LOW FUEL INDICATOR MODULE</b> Generic "Adjustable" Low Fuel Warning Module Note: A Complete Electronic Control Unit To Activate A Warning Lamp Or Relay When Fuel Level Drops Below A User Adjustable Level. Includes instruction sheet.	\$64.00	C
500274	1965	<b>LOW FUEL INDICATOR MODULE</b> Generic "Adjustable" Low Fuel Warning Module Note: A Complete Electronic Control Unit To Activate A Warning Lamp Or Relay When Fuel Level Drops Below A User Adjustable Level. Includes instruction sheet.	\$64.00	C
500274	1966	<b>LOW FUEL INDICATOR MODULE</b> Generic "Adjustable" Low Fuel Warning Module Note: A Complete Electronic Control Unit To Activate A Warning Lamp Or Relay When Fuel Level Drops Below A User Adjustable Level. Includes instruction sheet.	\$64.00	C
500274	1967	<b>LOW FUEL INDICATOR MODULE</b> Generic "Adjustable" Low Fuel Warning Module Note: A Complete Electronic Control Unit To Activate A Warning Lamp Or Relay When Fuel Level Drops Below A User Adjustable Level. Includes instruction sheet.	\$64.00	C
500274	1968	<b>LOW FUEL INDICATOR MODULE</b> Generic "Adjustable" Low Fuel Warning Module Note: A Complete Electronic Control Unit To Activate A Warning Lamp Or Relay When Fuel Level Drops Below A User Adjustable Level. Includes instruction sheet.	\$64.00	C
500274	1969	<b>LOW FUEL INDICATOR MODULE</b> Generic "Adjustable" Low Fuel Warning Module Note: A Complete Electronic Control Unit To Activate A Warning Lamp Or Relay When Fuel Level Drops Below A User Adjustable Level. Includes instruction sheet.	\$64.00	C
500274	1970	<b>LOW FUEL INDICATOR MODULE</b> Generic "Adjustable" Low Fuel Warning Module Note: A Complete Electronic Control Unit To Activate A Warning Lamp Or Relay When Fuel Level Drops Below A User Adjustable Level. Includes instruction sheet.	\$64.00	C
500274	1971	<b>LOW FUEL INDICATOR MODULE</b> Generic "Adjustable" Low Fuel Warning Module Note: A Complete Electronic Control Unit To Activate A Warning Lamp Or Relay When Fuel Level Drops Below A User Adjustable Level. Includes instruction sheet.	\$64.00	C
500274	1972	<b>LOW FUEL INDICATOR MODULE</b> Generic "Adjustable" Low Fuel Warning Module Note: A Complete Electronic Control Unit To Activate A Warning Lamp Or Relay When Fuel Level Drops Below A User Adjustable Level. Includes instruction sheet.	\$64.00	C
500274	1973	<b>LOW FUEL INDICATOR MODULE</b> Generic "Adjustable" Low Fuel Warning Module Note: A Complete Electronic Control Unit To Activate A Warning Lamp Or Relay When Fuel Level Drops Below A User Adjustable Level. Includes instruction sheet.	\$64.00	C

Part Number	Year	Description	Price	*Rev.
500274	1974	<b>LOW FUEL INDICATOR MODULE</b> Generic "Adjustable" Low Fuel Warning Module Note: A Complete Electronic Control Unit To Activate A Warning Lamp Or Relay When Fuel Level Drops Below A User Adjustable Level. Includes instruction sheet.	\$64.00	C
500274	1975	<b>LOW FUEL INDICATOR MODULE</b> Generic "Adjustable" Low Fuel Warning Module Note: A Complete Electronic Control Unit To Activate A Warning Lamp Or Relay When Fuel Level Drops Below A User Adjustable Level. Includes instruction sheet.	\$64.00	C
500274	1976	<b>LOW FUEL INDICATOR MODULE</b> Generic "Adjustable" Low Fuel Warning Module Note: A Complete Electronic Control Unit To Activate A Warning Lamp Or Relay When Fuel Level Drops Below A User Adjustable Level. Includes instruction sheet.	\$64.00	C
500274	1977	<b>LOW FUEL INDICATOR MODULE</b> Generic "Adjustable" Low Fuel Warning Module Note: A Complete Electronic Control Unit To Activate A Warning Lamp Or Relay When Fuel Level Drops Below A User Adjustable Level. Includes instruction sheet.	\$64.00	C
<b>NEUTRAL SAFETY AND BACKUP LAMP SWITCH</b>				
01993659	1964	<b>NEUTRAL SAFETY AND BACKUP LAMP SWITCH</b> With Column Shift Powerglide Auto Trans	\$12.00	
09779665	1964	<b>NEUTRAL SAFETY AND BACKUP LAMP SWITCH</b> With Console Shift Auto Trans	\$71.00	
01993659	1965	<b>NEUTRAL SAFETY AND BACKUP LAMP SWITCH</b> With Column Shift Powerglide Auto Trans	\$12.00	
09779665	1965	<b>NEUTRAL SAFETY AND BACKUP LAMP SWITCH</b> With Console Shift Auto Trans	\$71.00	
01993659	1966	<b>NEUTRAL SAFETY AND BACKUP LAMP SWITCH</b> With Column Shift Powerglide Auto Trans	\$12.00	
09779665	1966	<b>NEUTRAL SAFETY AND BACKUP LAMP SWITCH</b> With Console Shift Auto Trans	\$71.00	
09779665	1967	<b>NEUTRAL SAFETY AND BACKUP LAMP SWITCH</b> With Console Shift Auto Trans	\$71.00	
09779665	1968	<b>NEUTRAL SAFETY AND BACKUP LAMP SWITCH</b> With Wood Insert Console Shift Auto Trans	\$71.00	
01994235	1969	<b>NEUTRAL SAFETY AND BACKUP LAMP SWITCH</b> With Column Shift Auto Trans, All	\$19.00	
01994235	1970	<b>NEUTRAL SAFETY AND BACKUP LAMP SWITCH</b> With Column Shift Auto Trans, All	\$19.00	
01994235	1971	<b>NEUTRAL SAFETY AND BACKUP LAMP SWITCH</b> With Column Shift Auto Trans, All	\$19.00	
01994235	1972	<b>NEUTRAL SAFETY AND BACKUP LAMP SWITCH</b> With Column Shift Auto Trans, All	\$19.00	
01994235	1973	<b>NEUTRAL SAFETY AND BACKUP LAMP SWITCH</b> With Column Shift Auto Trans, All	\$19.00	
01994163	1974	<b>NEUTRAL SAFETY AND BACKUP LAMP SWITCH</b> With Auto Trans, All	\$19.00	
<b>NEUTRAL SAFETY SWITCH</b>				
03983965	1971	<b>NEUTRAL SAFETY SWITCH</b> Ventura, 3 Speed	\$58.00	C
03983965	1972	<b>NEUTRAL SAFETY SWITCH</b> Ventura, 3 Speed	\$58.00	C
03983965	1973	<b>NEUTRAL SAFETY SWITCH</b> Ventura, All Manual Trans	\$58.00	C
03983965	1974	<b>NEUTRAL SAFETY SWITCH</b> Ventura, All Manual Trans	\$58.00	C
03983965	1975	<b>NEUTRAL SAFETY SWITCH</b> Ventura, All Manual Trans	\$58.00	M
03983965	1976	<b>NEUTRAL SAFETY SWITCH</b> Ventura, All Manual Trans	\$58.00	M
03983965	1977	<b>NEUTRAL SAFETY SWITCH</b> Ventura, All Manual Trans	\$58.00	M
03983965	1977	<b>NEUTRAL SAFETY SWITCH</b> Phoenix, All Manual Trans	\$58.00	N
03983965	1978	<b>NEUTRAL SAFETY SWITCH</b> Phoenix, All Manual Trans	\$58.00	N
03983965	1979	<b>NEUTRAL SAFETY SWITCH</b> Phoenix, All Manual Trans	\$58.00	N
<b>NEUTRAL SAFETY SWITCH EXTENSION HARNESS</b>				
39344	1969	<b>NEUTRAL SAFETY SWITCH EXTENSION HARNESS</b> Manual Trans, Dash To Clutch Switch	\$30.00	
39344	1970	<b>NEUTRAL SAFETY SWITCH EXTENSION HARNESS</b> Manual Trans, Dash To Clutch Switch	\$30.00	
39344	1971	<b>NEUTRAL SAFETY SWITCH EXTENSION HARNESS</b> Manual Trans, Dash To Clutch Switch	\$30.00	
15230	1971	<b>NEUTRAL SAFETY SWITCH EXTENSION HARNESS</b> Ventura, Manual Trans, Dash To Clutch Switch	\$25.00	
15230	1972	<b>NEUTRAL SAFETY SWITCH EXTENSION HARNESS</b> Ventura, Manual Trans, Dash To Clutch Switch	\$25.00	
15230	1973	<b>NEUTRAL SAFETY SWITCH EXTENSION HARNESS</b> Ventura, Manual Trans, Dash To Clutch Switch	\$25.00	
40831	1975	<b>NEUTRAL SAFETY SWITCH EXTENSION HARNESS</b> Manual Trans, Dash To Clutch Start Switch	\$34.00	
40831	1976	<b>NEUTRAL SAFETY SWITCH EXTENSION HARNESS</b> Manual Trans, Dash To Clutch Start Switch	\$34.00	
40831	1977	<b>NEUTRAL SAFETY SWITCH EXTENSION HARNESS</b> Manual Trans, Dash To Clutch Start Switch	\$34.00	

Part Number	Year	Description	Price	*Rev.
<b>OIL PRESSURE SENDER EXTENSION</b>				
40446	1961	OIL PRESSURE SENDER EXTENSION V/8, Engine Harness To Oil Pressure Sender	\$21.00	
40446	1962	OIL PRESSURE SENDER EXTENSION V/8, Engine Harness To Oil Pressure Sender	\$21.00	
<b>OIL SENDING UNIT EXTENSION WIRE</b>				
38418	1977	OIL SENDING UNIT EXTENSION WIRE Oil Pressure Sending Unit To Engine Harness	\$21.00	
<b>PARK AND SIGNAL LAMP EXTENSION HARNESS</b>				
40398	1971	PARK AND SIGNAL LAMP EXTENSION HARNESS Ventura, Forward Lamp Harness To Park & Turn Signal Lamp	\$48.00	
40398	1972	PARK AND SIGNAL LAMP EXTENSION HARNESS Ventura, Forward Lamp Harness To Park & Turn Signal Lamp	\$48.00	
40398	1973	PARK AND SIGNAL LAMP EXTENSION HARNESS Ventura, Forward Lamp Harness To Park & Turn Signal Lamp	\$48.00	
<b>PARKING BRAKE EXTENSION WIRE</b>				
40656	1973	PARKING BRAKE EXTENSION WIRE Dash Harness To Parking Brake Switch	\$15.00	
40651	1974	PARKING BRAKE EXTENSION WIRE Dash Harness To Parking Brake Switch	\$17.00	
40651	1975	PARKING BRAKE EXTENSION WIRE Dash Harness To Parking Brake Switch	\$17.00	
40651	1976	PARKING BRAKE EXTENSION WIRE Dash Harness To Parking Brake Switch	\$17.00	
<b>PARKING BRAKE WARNING LAMP</b>				
40742	1964	PARKING BRAKE WARNING LAMP Socket & Wire Assembly	\$30.00	
40739	1964	PARKING BRAKE WARNING LAMP HARNESS Switch To Flasher	\$17.00	
40741	1964	PARKING BRAKE WARNING LAMP Fuse Block To Switch	\$17.00	
40486	1965	PARKING BRAKE WARNING LAMP Socket & Wire Assembly	\$34.00	
40497	1966	PARKING BRAKE WARNING LAMP Socket & Wire Assembly	\$34.00	
<b>PARKING BRAKE WARNING LAMP HARNESS</b>				
15205	1971	PARKING BRAKE WARNING LAMP HARNESS Ventura, Dash Harness To Parking Brake Switch	\$13.00	
15205	1972	PARKING BRAKE WARNING LAMP HARNESS Ventura, Dash Harness To Parking Brake Switch	\$13.00	
<b>PARKING LAMP GROUND WIRE</b>				
40510	1968	PARKING LAMP GROUND WIRE Park Lamp To Ground	\$20.00	
13425	1969	PARKING LAMP GROUND WIRE Tempest & Le Mans, With Plastic Valance Panel	\$17.00	
<b>POWER ACCESSORY FEED WIRE</b>				
06530	1963	POWER ACCESSORY FEED WIRE Power Seat, Junction Block To Circuit Breaker	\$27.00	
40493	1963	POWER ACCESSORY FEED WIRE Circuit Breaker To Power Seat Harness	\$27.00	
06900	1964	POWER ACCESSORY FEED WIRE Circuit Breaker To Power Seat Harness	\$26.00	
05775	1965	POWER ACCESSORY FEED WIRE 6 Cylinder, Starter Solenoid To Circuit Breaker Note: 6 Cylinder Items Are Not Returnable.	\$26.00	
07700	1965	POWER ACCESSORY FEED WIRE Circuit Breaker To Power Seat Harness	\$26.00	
05775	1966	POWER ACCESSORY FEED WIRE 6 Cylinder, Starter Solenoid To Circuit Breaker Note: 6 Cylinder Items Are Not Returnable.	\$26.00	
07700	1966	POWER ACCESSORY FEED WIRE Circuit Breaker To Power Seat Harness	\$26.00	
05775	1967	POWER ACCESSORY FEED WIRE 6 Cylinder, Starter Solenoid To Circuit Breaker Note: 6 Cylinder Items Are Not Returnable.	\$26.00	
40744	1967	POWER ACCESSORY FEED WIRE Power Window, Circuit Breaker To Relay	\$26.00	
07700	1967	POWER ACCESSORY FEED WIRE Circuit Breaker To Power Seat Harness	\$26.00	
40529	1968	POWER ACCESSORY FEED WIRE Fuse Block To Power Top Or Window Harness	\$26.00	
14175	1968	POWER ACCESSORY FEED WIRE Power Feed To Power Seat Harness	\$17.00	
14325	1969	POWER ACCESSORY, IGNITION FEED WIRE Ignition Cavity On Fuse Block To Power Window Harness	\$17.00	
40168	1969	POWER ACCESSORY, BATTERY FEED WIRE Fuse Block To Power Window Or Seat Harness	\$27.00	
14175	1969	POWER ACCESSORY FEED WIRE Power Feed To Power Seat Harness	\$17.00	

Part Number	Year	Description	Price	*Rev.
14525	1970	<b>POWER ACCESSORY FEED WIRE</b> Fuse Block To Power Accessories Note: Used With Multiple Power Options, Windows Seats And/Or Top.	\$21.00	
14325	1970	<b>POWER ACCESSORY, IGNITION FEED WIRE</b> Ignition Cavity On Fuse Block To Power Window Harness	\$17.00	
14175	1970	<b>POWER ACCESSORY FEED WIRE</b> Power Feed To Power Seat Harness	\$17.00	
14525	1971	<b>POWER ACCESSORY FEED WIRE</b> Fuse Block To Power Accessories Note: Used With Multiple Power Options, Windows Seats And/Or Top.	\$21.00	
14175	1971	<b>POWER ACCESSORY FEED WIRE</b> Power Feed To Power Seat Harness	\$17.00	
14525	1972	<b>POWER ACCESSORY FEED WIRE</b> Fuse Block To Power Accessories Note: Used With Multiple Power Options, Windows Seats And/Or Top.	\$21.00	
14175	1972	<b>POWER ACCESSORY FEED WIRE</b> Power Feed To Power Seat Harness	\$17.00	
40776	1973	<b>POWER ACCESSORY FEED WIRE</b> Power Seat Adjuster To Ignition Feed Wire	\$21.00	
40768	1973	<b>POWER ACCESSORY FEED WIRE</b> Fuse Block To Power Seat Feed Wire	\$26.00	
35868	1974	<b>POWER ACCESSORY FEED WIRE</b> Dash To Power Windows & Tachometer	\$20.00	
40732	1974	<b>POWER ACCESSORY FEED WIRE</b> Ignition Feed Jumper To Power Seat Adjuster	\$26.00	
40776	1974	<b>POWER ACCESSORY FEED WIRE</b> Power Seat Adjuster To Ignition Feed Wire	\$21.00	
40768	1974	<b>POWER ACCESSORY FEED WIRE</b> Fuse Block To Power Seat Feed Wire	\$26.00	
35868	1975	<b>POWER ACCESSORY FEED WIRE</b> Dash To Power Windows & Tachometer	\$20.00	
40416	1975	<b>POWER ACCESSORY FEED WIRE</b> Ignition & Power Feed Jumper To Power Seat Adjuster	\$27.00	
40768	1975	<b>POWER ACCESSORY FEED WIRE</b> Fuse Block To Power Seat Feed Wire	\$26.00	
35868	1976	<b>POWER ACCESSORY FEED WIRE</b> Dash To Power Windows & Tachometer	\$20.00	
40423	1976	<b>POWER ACCESSORY FEED WIRE</b> Ignition & Power Feed Jumper To Power Seat Adjuster	\$27.00	
40768	1976	<b>POWER ACCESSORY FEED WIRE</b> Fuse Block To Power Seat Feed Wire	\$26.00	
35868	1977	<b>POWER ACCESSORY FEED WIRE</b> Dash To Power Windows & Tachometer	\$20.00	
40423	1977	<b>POWER ACCESSORY FEED WIRE</b> Ignition & Power Feed Jumper To Power Seat Adjuster	\$27.00	
40768	1977	<b>POWER ACCESSORY FEED WIRE</b> Fuse Block To Power Seat Feed Wire	\$26.00	
35868	1978	<b>POWER ACCESSORY FEED WIRE</b> Dash To Power Windows & Tachometer	\$20.00	
<b>POWER ANTENNA HARNESS</b>				
06800	1964	<b>POWER ANTENNA HARNESS</b> Rear Mounted Power Antenna, Except Convertible & Wagons, Antenna To Switch	\$46.00	
07675	1965	<b>POWER ANTENNA HARNESS</b> Rear Mounted Power Antenna, Antenna To Switch	\$43.00	
07675	1966	<b>POWER ANTENNA HARNESS</b> Rear Mounted Power Antenna, Antenna To Switch	\$43.00	
07675	1967	<b>POWER ANTENNA HARNESS</b> Rear Mounted Power Antenna, Antenna To Switch	\$43.00	
07675	1968	<b>POWER ANTENNA HARNESS</b> Rear Mounted Power Antenna, Antenna To Switch	\$43.00	
14395	1969	<b>POWER ANTENNA HARNESS</b> Rear Mounted Power Antenna, Antenna To Switch	\$49.00	
14395	1970	<b>POWER ANTENNA HARNESS</b> Rear Mounted Power Antenna, Antenna To Switch	\$49.00	
<b>POWER DOOR LOCK HARNESS</b>				
40560	1970	<b>POWER DOOR LOCK HARNESS</b> 4 Door, Driver Side Door And Under Dash Crossover	\$212.00	
40748	1970	<b>POWER DOOR LOCK HARNESS</b> Coupe, With Center Post, Driver Side Door And Under Dash Crossover Note: Customer Must Reuse Their Original Plastic Connector For Door Jamb Switch.	\$212.00	
40349	1970	<b>POWER DOOR LOCK HARNESS</b> Coupe, Without Center Post, & All Convertibles, Driver Side Door And Under Dash Crossover Note: Customer Must Reuse Their Original Plastic Connector For Door Jamb Switch.	\$221.00	
40561	1970	<b>POWER DOOR LOCK HARNESS</b> 4 Door, Passenger Side Door	\$180.00	
40749	1970	<b>POWER DOOR LOCK HARNESS</b> Coupe, With Center Post, Passenger Side Door Note: Customer Must Reuse Their Original Plastic Connector For Door Jamb Switch.	\$186.00	

Part Number	Year	Description	Price	*Rev.
40348	1970	<b>POWER DOOR LOCK HARNESS</b> Coupe, Without Center Post, & All Convertibles, Passenger Side Door Note: Customer Must Reuse Their Original Plastic Connector For Door Jamb Switch.	\$137.00	
40551	1970	<b>POWER DOOR LOCK HARNESS</b> 4 Door Hardtop, Rear Door Lock Solenoid To Intermediate Door Lock Harness, (2 Required Per Car )	\$60.00	
40552	1970	<b>POWER DOOR LOCK HARNESS</b> 4 Door Sedan, & Wagon, Rear Door Lock Solenoid To Intermediate Door Lock Harness, (2 Required Per Car )	\$60.00	
40561	1971	<b>POWER DOOR LOCK HARNESS</b> 4 Door, Passenger Side Door	\$180.00	
40560	1971	<b>POWER DOOR LOCK HARNESS</b> 4 Door, Driver Side Door And Under Dash Crossover	\$212.00	
40748	1971	<b>POWER DOOR LOCK HARNESS</b> Coupe, With Center Post, Driver Side Door And Under Dash Crossover Note: Customer Must Reuse Their Original Plastic Connector For Door Jamb Switch.	\$212.00	
40349	1971	<b>POWER DOOR LOCK HARNESS</b> Coupe, Without Center Post, & All Convertibles, Driver Side Door And Under Dash Crossover Note: Customer Must Reuse Their Original Plastic Connector For Door Jamb Switch.	\$221.00	
40749	1971	<b>POWER DOOR LOCK HARNESS</b> Coupe, With Center Post, Passenger Side Door Note: Customer Must Reuse Their Original Plastic Connector For Door Jamb Switch.	\$186.00	
40348	1971	<b>POWER DOOR LOCK HARNESS</b> Coupe, Without Center Post, & All Convertibles, Passenger Side Door Note: Customer Must Reuse Their Original Plastic Connector For Door Jamb Switch.	\$137.00	
40551	1971	<b>POWER DOOR LOCK HARNESS</b> 4 Door Hardtop, Rear Door Lock Solenoid To Intermediate Door Lock Harness, (2 Required Per Car )	\$60.00	
40552	1971	<b>POWER DOOR LOCK HARNESS</b> 4 Door Sedan, & Wagon, Rear Door Lock Solenoid To Intermediate Door Lock Harness, (2 Required Per Car )	\$60.00	
40560	1972	<b>POWER DOOR LOCK HARNESS</b> 4 Door, Driver Side Door And Under Dash Crossover	\$212.00	
40748	1972	<b>POWER DOOR LOCK HARNESS</b> 2 Door Sedan, Driver Side Door And Under Dash Crossover Note: Customer Must Reuse Their Original Plastic Connector For Door Jamb Switch.	\$212.00	
40349	1972	<b>POWER DOOR LOCK HARNESS</b> 2 Door Coupe, & Convertible, Driver Side Door And Under Dash Crossover Note: Customer Must Reuse Their Original Plastic Connector For Door Jamb Switch.	\$221.00	
40561	1972	<b>POWER DOOR LOCK HARNESS</b> 4 Door, Passenger Side Door	\$180.00	
40749	1972	<b>POWER DOOR LOCK HARNESS</b> 2 Door Sedan, Passenger Side Door Note: Customer Must Reuse Their Original Plastic Connector For Door Jamb Switch.	\$186.00	
40348	1972	<b>POWER DOOR LOCK HARNESS</b> 2 Door Coupe, & Convertible, Passenger Side Door Note: Customer Must Reuse Their Original Plastic Connector For Door Jamb Switch.	\$137.00	
40551	1972	<b>POWER DOOR LOCK HARNESS</b> 4 Door Hardtop, Rear Door Lock Solenoid To Intermediate Door Lock Harness, (2 Required Per Car )	\$60.00	
40552	1972	<b>POWER DOOR LOCK HARNESS</b> 4 Door Sedan, & Wagon, Rear Door Lock Solenoid To Intermediate Door Lock Harness, (2 Required Per Car )	\$60.00	
40779	1973	<b>POWER DOOR LOCK HARNESS</b> All, Without Power Windows, Under Dash Crossover	\$80.00	
40704	1973	<b>POWER DOOR LOCK HARNESS</b> All, 4 Door, With Switch Mounted In Arm Rest, Passenger Side Door	\$106.00	
40761	1973	<b>POWER DOOR LOCK HARNESS</b> All, 2 Door, With Switch Mounted On Trim Pad, Driver Or Passenger Side	\$106.00	
40762	1973	<b>POWER DOOR LOCK HARNESS</b> All, 4 Door, With Switch Mounted On Trim Pad, Driver Or Passenger Side	\$106.00	
40790	1973	<b>POWER DOOR LOCK HARNESS</b> All, 2 Door, With Switch Mounted In Arm Rest, Driver Or Passenger Side	\$106.00	
40764	1973	<b>POWER DOOR LOCK HARNESS</b> All, 4 Door, Driver Or Passenger Side Rear Door	\$60.00	
40715	1974	<b>POWER DOOR LOCK HARNESS</b> Center Crossover, Without Power Windows, (Includes Door Jamb Switch Wiring)	\$106.00	
40704	1974	<b>POWER DOOR LOCK HARNESS</b> All, 4 Door, With Switch Mounted In Arm Rest, Passenger Side Door	\$106.00	

Part Number	Year	Description	Price	*Rev.
40761	1974	<b>POWER DOOR LOCK HARNESS</b> All, 2 Door, With Switch Mounted On Trim Pad, Driver Or Passenger Side	\$106.00	
40762	1974	<b>POWER DOOR LOCK HARNESS</b> All, 4 Door, With Switch Mounted On Trim Pad, Driver Or Passenger Side	\$106.00	
40790	1974	<b>POWER DOOR LOCK HARNESS</b> All, 2 Door, With Switch Mounted In Arm Rest, Driver Or Passenger Side	\$106.00	
40764	1974	<b>POWER DOOR LOCK HARNESS</b> All, 4 Door, Driver Or Passenger Side Rear Door	\$60.00	
40715	1975	<b>POWER DOOR LOCK HARNESS</b> Center Crossover, Without Power Windows, (Includes Door Jamb Switch Wiring)	\$106.00	
40704	1975	<b>POWER DOOR LOCK HARNESS</b> All, 4 Door, With Switch Mounted In Arm Rest, Driver Or Passenger Side	\$106.00	
40761	1975	<b>POWER DOOR LOCK HARNESS</b> All, 2 Door, With Switch Mounted On Trim Pad, Driver Or Passenger Side	\$106.00	
40762	1975	<b>POWER DOOR LOCK HARNESS</b> All, 4 Door, With Switch Mounted On Trim Pad, Driver Or Passenger Side	\$106.00	
40790	1975	<b>POWER DOOR LOCK HARNESS</b> All, 2 Door, With Switch Mounted In Arm Rest, Driver Or Passenger Side	\$106.00	
40764	1975	<b>POWER DOOR LOCK HARNESS</b> All, 4 Door, Driver Or Passenger Side Rear Door	\$60.00	
40424	1976	<b>POWER DOOR LOCK HARNESS</b> Center Crossover, Without Power Windows, (Includes Door Jamb Switch Wiring)	\$106.00	
40409	1976	<b>POWER DOOR LOCK HARNESS</b> All, 2 Door, With Switch Mounted On Trim Pad, Driver Or Passenger Side	\$106.00	
40410	1976	<b>POWER DOOR LOCK HARNESS</b> All, 4 Door, With Switch Mounted On Trim Pad, Driver Or Passenger Side	\$106.00	
40411	1976	<b>POWER DOOR LOCK HARNESS</b> All, 2 Door, With Switch Mounted In Armrest, Driver Or Passenger Side	\$106.00	
40412	1976	<b>POWER DOOR LOCK HARNESS</b> All, 4 Door, Driver Or Passenger Side Rear Door	\$60.00	
40858	1977	<b>POWER DOOR LOCK HARNESS</b> Center Crossover, Without Power Windows, (Includes Door Jamb Switch Wiring)	\$106.00	
40859	1977	<b>POWER DOOR LOCK HARNESS</b> All, 2 Door, With Switch Mounted On Trim Pad, Driver Or Passenger Side	\$106.00	
40860	1977	<b>POWER DOOR LOCK HARNESS</b> All, 4 Door, With Switch Mounted On Trim Pad, Driver Or Passenger Side	\$106.00	
40861	1977	<b>POWER DOOR LOCK HARNESS</b> All, 4 Door, Driver Or Passenger Side Rear Door	\$60.00	
<b>POWER DOOR LOCK INTERMEDIATE HARNESS</b>				
40548	1970	<b>POWER DOOR LOCK INTERMEDIATE HARNESS</b> 4 Door Hardtop, Under Dash To Rear Door Lock Solenoid Harness, (2 Required Per Car )	\$101.00	
40747	1970	<b>POWER DOOR LOCK INTERMEDIATE HARNESS</b> 4 Door Sedan, & Wagon, Under Dash To Rear Door Lock Solenoid Harness, (2 Required Per Car )	\$87.00	
40548	1971	<b>POWER DOOR LOCK INTERMEDIATE HARNESS</b> 4 Door Hardtop, Passenger Side, Under Dash To Rear Door Lock Solenoid Harness	\$101.00	
40747	1971	<b>POWER DOOR LOCK INTERMEDIATE HARNESS</b> 4 Door Sedan, & Wagon, Passenger Side, Under Dash To Rear Door Lock Solenoid Harness	\$87.00	
40794	1971	<b>POWER DOOR LOCK INTERMEDIATE HARNESS</b> 4 Door Hardtop, Driver Side, Under Dash To Rear Door Lock Solenoid Harness	\$60.00	
40795	1971	<b>POWER DOOR LOCK INTERMEDIATE HARNESS</b> 4 Door Sedan, & Wagon, Driver Side, Under Dash To Rear Door Lock Solenoid Harness	\$60.00	
40548	1972	<b>POWER DOOR LOCK INTERMEDIATE HARNESS</b> 4 Door Hardtop, Passenger Side, Under Dash To Rear Door Lock Solenoid Harness	\$101.00	
40747	1972	<b>POWER DOOR LOCK INTERMEDIATE HARNESS</b> 4 Door Sedan, & Wagon, Passenger Side, Under Dash To Rear Door Lock Solenoid Harness	\$87.00	
40794	1972	<b>POWER DOOR LOCK INTERMEDIATE HARNESS</b> 4 Door Hardtop, Driver Side, Under Dash To Rear Door Lock Solenoid Harness	\$60.00	
40795	1972	<b>POWER DOOR LOCK INTERMEDIATE HARNESS</b> 4 Door Sedan, & Wagon, Driver Side, Under Dash To Rear Door Lock Solenoid Harness	\$60.00	

Part Number	Year	Description	Price	*Rev.
<b>POWER DOOR LOCK RELAY AND ADAPTER HARNESS</b>				
39440	1970	<b>POWER DOOR LOCK RELAY AND ADAPTER HARNESS</b> Includes New Standard Type Relay And Adapter To Mate To Factory Harness	\$40.00	
39440	1971	<b>POWER DOOR LOCK RELAY AND ADAPTER HARNESS</b> Includes New Standard Type Relay And Adapter To Mate To Factory Harness	\$40.00	
39440	1972	<b>POWER DOOR LOCK RELAY AND ADAPTER HARNESS</b> Includes New Standard Type Relay And Adapter To Mate To Factory Harness	\$40.00	
<b>POWER DOOR LOCK SWITCH</b>				
01725099	1976	<b>POWER DOOR LOCK SWITCH</b> 1 Button	\$62.00	
01725099	1976	<b>POWER DOOR LOCK SWITCH</b> Ventura, 1 Button	\$62.00	M
01725099	1977	<b>POWER DOOR LOCK SWITCH</b> Ventura, 1 Button	\$62.00	M
<b>POWER SEAT BACK LOCK EXTENSION WIRE</b>				
14510	1970	<b>POWER SEAT BACK LOCK EXTENSION WIRE</b> Coupe, With Center Post, (2 Required Per Car ) Note: This Extension Connects Solenoid In Seat To Seat Back Lock Main Harness.	\$41.00	
40751	1970	<b>POWER SEAT BACK LOCK EXTENSION WIRE</b> Coupe & Convertibles, With Split Bench Seat, (2 Required Per Car ) Note: This Extension Connects Solenoid In Seat To Seat Back Lock Main Harness.	\$41.00	
40752	1970	<b>POWER SEAT BACK LOCK EXTENSION WIRE</b> Coupe & Convertibles, With Bucket Seats, (2 Required Per Car ) Note: This Extension Connects Solenoid In Seat To Seat Back Lock Main Harness.	\$41.00	
14510	1971	<b>POWER SEAT BACK LOCK EXTENSION WIRE</b> Coupe, With Center Post, (2 Required Per Car ) Note: This Extension Connects Solenoid In Seat To Seat Back Lock Main Harness.	\$41.00	
40751	1971	<b>POWER SEAT BACK LOCK EXTENSION WIRE</b> Coupe & Convertibles, With Split Bench Seat, (2 Required Per Car ) Note: This Extension Connects Solenoid In Seat To Seat Back Lock Main Harness.	\$41.00	
40752	1971	<b>POWER SEAT BACK LOCK EXTENSION WIRE</b> Coupe & Convertibles, With Bucket Seats, (2 Required Per Car ) Note: This Extension Connects Solenoid In Seat To Seat Back Lock Main Harness.	\$41.00	
14510	1972	<b>POWER SEAT BACK LOCK EXTENSION WIRE</b> 2 Door Sedan, & Hardtop Coupe, With Bench Seat, (2 Required Per Car ) Note: This Extension Connects Solenoid In Seat To Seat Back Lock Main Harness.	\$41.00	
40751	1972	<b>POWER SEAT BACK LOCK EXTENSION WIRE</b> Coupe & Convertibles, With Split Bench Seat, (2 Required Per Car ) Note: This Extension Connects Solenoid In Seat To Seat Back Lock Main Harness.	\$41.00	
40752	1972	<b>POWER SEAT BACK LOCK EXTENSION WIRE</b> Coupe & Convertibles, With Bucket Seats, (2 Required Per Car ) Note: This Extension Connects Solenoid In Seat To Seat Back Lock Main Harness.	\$41.00	
40721	1973	<b>POWER SEAT BACK LOCK EXTENSION WIRE</b> All, 2 Door, Under Dash To Seat Back Lock Harness In Seat (2 Required Per Car)	\$41.00	
<b>POWER SEAT BACK LOCK HARNESS</b>				
40750	1970	<b>POWER SEAT BACK LOCK HARNESS</b> Seat Back Lock Relay To Power Door Lock Harness	\$132.00	
40750	1971	<b>POWER SEAT BACK LOCK HARNESS</b> Seat Back Lock Relay To Power Door Lock Harness	\$132.00	
40750	1972	<b>POWER SEAT BACK LOCK HARNESS</b> Seat Back Lock Relay To Power Door Lock Harness	\$132.00	
40722	1973	<b>POWER SEAT BACK LOCK HARNESS</b> All, 2 Door, Under Dash Crossover Note: Customer Must Reuse Their Original Plastic Connector For Door Jamb Switch.	\$41.00	
40757	1973	<b>POWER SEAT BACK LOCK HARNESS</b> All, 2 Door, Seat Back Solenoid To Seat Back Lock Extension Harness, (2 Required Per Car)	\$41.00	
40722	1974	<b>POWER SEAT BACK LOCK HARNESS</b> All, 2 Door, Under Dash Crossover Note: Customer Must Reuse Their Original Plastic Connector For Door Jamb Switch.	\$41.00	
<b>POWER SEAT BACK RELAY AND ADAPTER HARNESS</b>				
39440	1970	<b>POWER SEAT BACK RELAY AND ADAPTER HARNESS</b> Includes New Standard Type Relay And Adapter To Mate To Factory Harness	\$40.00	



Part Number	Year	Description	Price	*Rev.
39440	1971	<b>POWER SEAT BACK RELAY AND ADAPTER HARNESS</b> Includes New Standard Type Relay And Adapter To Mate To Factory Harness	\$40.00	
39440	1972	<b>POWER SEAT BACK RELAY AND ADAPTER HARNESS</b> Includes New Standard Type Relay And Adapter To Mate To Factory Harness	\$40.00	
<b>POWER SEAT GROUND WIRE</b>				
07295	1965	<b>POWER SEAT GROUND WIRE</b> All	\$21.00	
07295	1966	<b>POWER SEAT GROUND WIRE</b> All	\$21.00	
07295	1967	<b>POWER SEAT GROUND WIRE</b> All	\$21.00	
07295	1968	<b>POWER SEAT GROUND WIRE</b> All	\$21.00	
07295	1969	<b>POWER SEAT GROUND WIRE</b> All	\$21.00	
07295	1970	<b>POWER SEAT GROUND WIRE</b> All	\$21.00	
07295	1971	<b>POWER SEAT GROUND WIRE</b> All	\$21.00	
07295	1972	<b>POWER SEAT GROUND WIRE</b> All	\$21.00	
07295	1973	<b>POWER SEAT GROUND WIRE</b> All	\$21.00	
<b>POWER SEAT HARNESS</b>				
37426	1963	<b>POWER SEAT HARNESS</b> 4 Way Bucket, Drivers Side Note: Customer Must Reuse Their Original Plastic Connector For Control Switch.	\$186.00	
06950	1964	<b>POWER SEAT HARNESS</b> 4 Way Bucket, Drivers Side Note: Customer Must Reuse Their Original Plastic Connector For Control Switch.	\$166.00	
06945	1964	<b>POWER SEAT HARNESS</b> 4 Way Bench Note: Customer Must Reuse Their Original Plastic Connector For Control Switch.	\$173.00	
07595	1965	<b>POWER SEAT HARNESS</b> 4-Way Bench Note: Customer Must Reuse Their Original Plastic Connector For Control Switch.	\$166.00	
07600	1965	<b>POWER SEAT HARNESS</b> 4 Way Bucket, Drivers Side Note: Customer Must Reuse Their Original Plastic Connector For Control Switch.	\$159.00	
07595	1966	<b>POWER SEAT HARNESS</b> 4-Way Bench Note: Customer Must Reuse Their Original Plastic Connector For Control Switch.	\$166.00	
07020	1966	<b>POWER SEAT HARNESS</b> 4 Way Bucket, Drivers Side Note: Customer Must Reuse Their Original Plastic Connector For Control Switch.	\$159.00	
32325	1967	<b>POWER SEAT HARNESS</b> 4-Way Bench Note: Customer Must Reuse Their Original Plastic Connector For Control Switch.	\$166.00	
07020	1967	<b>POWER SEAT HARNESS</b> 4 Way Bucket, Drivers Side Note: Customer Must Reuse Their Original Plastic Connector For Control Switch.	\$159.00	
32325	1968	<b>POWER SEAT HARNESS</b> 4-Way Bench Note: Customer Must Reuse Their Original Plastic Connector For Control Switch.	\$166.00	
07020	1968	<b>POWER SEAT HARNESS</b> 4 Way Bucket, Drivers Side Note: Customer Must Reuse Their Original Plastic Connector For Control Switch.	\$159.00	
07020	1969	<b>POWER SEAT HARNESS</b> 4 Way Bucket, Drivers Side Note: Customer Must Reuse Their Original Plastic Connector For Control Switch.	\$159.00	
14435	1969	<b>POWER SEAT HARNESS</b> 4-Way Bench Note: Customer Must Reuse Their Original Plastic Connector For Control Switch.	\$176.00	
07020	1970	<b>POWER SEAT HARNESS</b> 4 Way Bucket, Drivers Side Note: Customer Must Reuse Their Original Plastic Connector For Control Switch.	\$159.00	
14435	1970	<b>POWER SEAT HARNESS</b> 4-Way Bench Note: Customer Must Reuse Their Original Plastic Connector For Control Switch.	\$176.00	
07020	1971	<b>POWER SEAT HARNESS</b> 4 Way Bucket, Drivers Side Note: Customer Must Reuse Their Original Plastic Connector For Control Switch.	\$159.00	
14435	1971	<b>POWER SEAT HARNESS</b> 4-Way Bench Note: Customer Must Reuse Their Original Plastic Connector For Control Switch.	\$176.00	

Part Number	Year	Description	Price	*Rev.
07020	1972	<b>POWER SEAT HARNESS</b> 4 Way Bucket, Drivers Side Note: Customer Must Reuse Their Original Plastic Connector For Control Switch.	\$159.00	
14435	1972	<b>POWER SEAT HARNESS</b> 4-Way Bench Note: Customer Must Reuse Their Original Plastic Connector For Control Switch.	\$176.00	
40727	1973	<b>POWER SEAT HARNESS</b> All, With Bench Seat Note: Customer Must Reuse Their Original Plastic Connector For Control Switch.	\$190.00	
40793	1973	<b>POWER SEAT HARNESS</b> All, With Bucket Seat, Drivers Side Note: Customer Must Reuse Their Original Plastic Connector For Control Switch.	\$179.00	
40793	1974	<b>POWER SEAT HARNESS</b> All, With Bucket Seat, Drivers Side Note: Customer Must Reuse Their Original Plastic Connector For Control Switch.	\$179.00	
40727	1974	<b>POWER SEAT HARNESS</b> All, With Bench Seat Note: Customer Must Reuse Their Original Plastic Connector For Control Switch.	\$190.00	
40727	1975	<b>POWER SEAT HARNESS</b> All, With Bench Seat Note: Customer Must Reuse Their Original Plastic Connector For Control Switch.	\$190.00	
40793	1975	<b>POWER SEAT HARNESS</b> All, With Bucket Seat, Drivers Side Note: Customer Must Reuse Their Original Plastic Connector For Control Switch.	\$179.00	
40417	1976	<b>POWER SEAT HARNESS</b> All, With Bench Seat Note: Customer Must Reuse Their Original Plastic Connector For Control Switch.	\$173.00	
40418	1976	<b>POWER SEAT HARNESS</b> All, With Bucket Seat, Drivers Side Note: Customer Must Reuse Their Original Plastic Connector For Control Switch.	\$167.00	
40417	1977	<b>POWER SEAT HARNESS</b> All, With Bench Seat Note: Customer Must Reuse Their Original Plastic Connector For Control Switch.	\$173.00	
40418	1977	<b>POWER SEAT HARNESS</b> All, With Bucket Seat, Drivers Side Note: Customer Must Reuse Their Original Plastic Connector For Control Switch.	\$167.00	
<b>POWER SEAT MOTOR RELAY AND ADAPTER HARNESS</b>				
40146	1964	<b>POWER SEAT MOTOR RELAY AND ADAPTER HARNESS</b> Includes New Standard Type Relay And Adapter To Mate To Factory Harness	\$74.00	
40146	1965	<b>POWER SEAT MOTOR RELAY AND ADAPTER HARNESS</b> Includes New Standard Type Relay And Adapter To Mate To Factory Harness	\$74.00	
40146	1966	<b>POWER SEAT MOTOR RELAY AND ADAPTER HARNESS</b> Includes New Standard Type Relay And Adapter To Mate To Factory Harness	\$74.00	
40146	1967	<b>POWER SEAT MOTOR RELAY AND ADAPTER HARNESS</b> Includes New Standard Type Relay And Adapter To Mate To Factory Harness	\$74.00	
40146	1968	<b>POWER SEAT MOTOR RELAY AND ADAPTER HARNESS</b> Includes New Standard Type Relay And Adapter To Mate To Factory Harness	\$74.00	
40146	1969	<b>POWER SEAT MOTOR RELAY AND ADAPTER HARNESS</b> Includes New Standard Type Relay And Adapter To Mate To Factory Harness	\$74.00	
40146	1970	<b>POWER SEAT MOTOR RELAY AND ADAPTER HARNESS</b> Includes New Standard Type Relay And Adapter To Mate To Factory Harness	\$74.00	
40146	1971	<b>POWER SEAT MOTOR RELAY AND ADAPTER HARNESS</b> Includes New Standard Type Relay And Adapter To Mate To Factory Harness	\$74.00	
40146	1972	<b>POWER SEAT MOTOR RELAY AND ADAPTER HARNESS</b> Includes New Standard Type Relay And Adapter To Mate To Factory Harness	\$74.00	
40146	1973	<b>POWER SEAT MOTOR RELAY AND ADAPTER HARNESS</b> Includes New Standard Type Relay And Adapter To Mate To Factory Harness	\$74.00	
40146	1974	<b>POWER SEAT MOTOR RELAY AND ADAPTER HARNESS</b> Includes New Standard Type Relay And Adapter To Mate To Factory Harness, Except GTO	\$74.00	
40146	1975	<b>POWER SEAT MOTOR RELAY AND ADAPTER HARNESS</b> Includes New Standard Type Relay And Adapter To Mate To Factory Harness, Except GTO	\$74.00	
<b>POWER TAILGATE RELAY AND ADAPTER HARNESS</b>				
39440	1968	<b>POWER TAILGATE RELAY AND ADAPTER HARNESS</b> Includes New Standard Type Relay And Adapter To Mate To Factory Harness	\$40.00	

Part Number	Year	Description	Price	*Rev.
39440	1969	<b>POWER TAILGATE RELAY AND ADAPTER HARNESS</b> Includes New Standard Type Relay And Adapter To Mate To Factory Harness	\$40.00	
39440	1970	<b>POWER TAILGATE RELAY AND ADAPTER HARNESS</b> Includes New Standard Type Relay And Adapter To Mate To Factory Harness	\$40.00	
39440	1971	<b>POWER TAILGATE RELAY AND ADAPTER HARNESS</b> Includes New Standard Type Relay And Adapter To Mate To Factory Harness	\$40.00	
39440	1972	<b>POWER TAILGATE RELAY AND ADAPTER HARNESS</b> Includes New Standard Type Relay And Adapter To Mate To Factory Harness	\$40.00	
<b>POWER TAILGATE WINDOW EXTENSION HARNESS</b>				
40796	1970	<b>POWER TAILGATE WINDOW EXTENSION HARNESS</b> Tailgate Window Cutout Switch, To Tailgate Window Harness	\$40.00	
40796	1971	<b>POWER TAILGATE WINDOW EXTENSION HARNESS</b> Tailgate Window Cutout Switch, To Tailgate Window Harness	\$40.00	
40796	1972	<b>POWER TAILGATE WINDOW EXTENSION HARNESS</b> Tailgate Window Cutout Switch, To Tailgate Window Harness	\$40.00	
<b>POWER TAILGATE WINDOW HARNESS</b>				
37415	1961	<b>POWER TAILGATE WINDOW HARNESS</b> Safari 4 Door Wagon, Rear Section	\$52.00	
37415	1962	<b>POWER TAILGATE WINDOW HARNESS</b> Safari 4 Door Wagon, Rear Section	\$52.00	
37415	1963	<b>POWER TAILGATE WINDOW HARNESS</b> Safari 4 Door Wagon, Rear Section	\$52.00	
40531	1968	<b>POWER TAILGATE WINDOW HARNESS</b> Tempest Wagons, With Power Tailgate Window, Without Power Side Windows, Ignition Relay To Dash Switch	\$59.00	
40532	1968	<b>POWER TAILGATE WINDOW HARNESS</b> Tempest Wagons, With Power Tailgate Window & Power Side Windows, Ignition Relay To Dash Switch	\$66.00	
40534	1969	<b>POWER TAILGATE WINDOW HARNESS</b> Tempest Wagons, With Power Tailgate Window, Without Power Side Windows, Ignition Relay To Dash Switch	\$59.00	
40535	1969	<b>POWER TAILGATE WINDOW HARNESS</b> Tempest Wagons, With Power Tailgate Window & Power Side Windows, Ignition Relay To Dash Switch	\$66.00	
40556	1970	<b>POWER TAILGATE WINDOW HARNESS</b> Tempest Wagon, With Power Tailgate Window, Without Power Side Windows, Ignition Relay To Dash Switch	\$59.00	
40557	1970	<b>POWER TAILGATE WINDOW HARNESS</b> Tempest Wagon, With Power Tailgate Window & Power Side Windows, Ignition Relay To Dash Switch	\$66.00	
40557	1971	<b>POWER TAILGATE WINDOW HARNESS</b> Tempest Wagon, With Power Tailgate Window & Power Side Windows, Ignition Relay To Dash Switch	\$66.00	
40810	1971	<b>POWER TAILGATE WINDOW HARNESS</b> Tempest Wagon, With Power Tailgate Window, Without Power Side Windows, Ignition Relay To Dash Switch	\$59.00	
40557	1972	<b>POWER TAILGATE WINDOW HARNESS</b> Tempest Wagon, With Power Tailgate Window & Power Side Windows, Ignition Relay To Dash Switch	\$66.00	
40810	1972	<b>POWER TAILGATE WINDOW HARNESS</b> Tempest Wagon, With Power Tailgate Window, Without Power Side Windows, Ignition Relay To Dash Switch	\$59.00	
<b>POWER TOP HARNESS</b>				
14135	1968	<b>POWER TOP HARNESS</b> Hydraulic Top Motor To Switch	\$49.00	
14400	1969	<b>POWER TOP HARNESS</b> Tempest Custom, Hydraulic Motor	\$49.00	
<b>POWER WINDOW HARNESS</b>				
07200	1964	<b>POWER WINDOW HARNESS</b> 4 Door Sedan & Wagons, Driver Or Passenger Side Rear Door, (2 Required Per Car ) Note: Customer Must Supply Their Original Rubber Boot	\$153.00	
06960	1964	<b>POWER WINDOW HARNESS</b> Driver Side Door	\$212.00	
06955	1964	<b>POWER WINDOW HARNESS</b> Passenger Side Door	\$147.00	
06990	1964	<b>POWER WINDOW HARNESS</b> Quarter Window, Coupe, (2 Required Per Car ) Note: Customer Must Reuse Their Original Plastic 3 Terminal Connector That Attaches This Harness To Ribbon Cable.	\$87.00	
06995	1964	<b>POWER WINDOW HARNESS</b> Quarter Window, Convertible, (2 Required Per Car ) Note: Customer Must Reuse Their Original Plastic 3 Terminal Connector That Attaches This Harness To Ribbon Cable.	\$87.00	

Part Number	Year	Description	Price	*Rev.
07630	1965	<b>POWER WINDOW HARNESS</b> Tempest Wagons & Sedans, Rear Doors, (2 Required Per Car ) Note: Customer Must Supply Their Original Rubber Boot	\$153.00	
07610	1965	<b>POWER WINDOW HARNESS</b> Driver Side Door	\$219.00	
07605	1965	<b>POWER WINDOW HARNESS</b> Passenger Side Door	\$147.00	
07640	1965	<b>POWER WINDOW HARNESS</b> Quarter Window, Coupe, (2 Required Per Car ) Note: Customer Must Reuse Their Original Plastic 3 Terminal Connector That Attaches This Harness To Ribbon Cable.	\$87.00	
07695	1965	<b>POWER WINDOW HARNESS</b> Quarter Window, Convertible, (2 Required Per Car ) Note: Customer Must Reuse Their Original Plastic 3 Terminal Connector That Attaches This Harness To Ribbon Cable.	\$87.00	
32485	1966	<b>POWER WINDOW HARNESS</b> 4 Door Hardtop, Driver Side Rear Door Note: Customer Must Supply Their Original Rubber Boot	\$153.00	
07630	1966	<b>POWER WINDOW HARNESS</b> Tempest Wagons & Sedans, Rear Doors, (2 Required Per Car ) Note: Customer Must Supply Their Original Rubber Boot	\$153.00	
32480	1966	<b>POWER WINDOW HARNESS</b> 4 Door Hardtop, Passenger Side Rear Door Note: Customer Must Supply Their Original Rubber Boot	\$153.00	
08260	1966	<b>POWER WINDOW HARNESS</b> Driver Side Door	\$212.00	
27310	1966	<b>POWER WINDOW HARNESS</b> Passenger Side Door	\$147.00	
07640	1966	<b>POWER WINDOW HARNESS</b> Quarter Window, Coupe, (2 Required Per Car ) Note: Customer Must Reuse Their Original Plastic 3 Terminal Connector That Attaches This Harness To Ribbon Cable.	\$87.00	
07695	1966	<b>POWER WINDOW HARNESS</b> Quarter Window, Convertible, (2 Required Per Car ) Note: Customer Must Reuse Their Original Plastic 3 Terminal Connector That Attaches This Harness To Ribbon Cable.	\$87.00	
07630	1967	<b>POWER WINDOW HARNESS</b> Tempest Wagons & Sedans, Rear Doors, (2 Required Per Car ) Note: Customer Must Supply Their Original Rubber Boot	\$153.00	
32480	1967	<b>POWER WINDOW HARNESS</b> 4 Door Hardtop, Passenger Side Rear Door Note: Customer Must Supply Their Original Rubber Boot	\$153.00	
32485	1967	<b>POWER WINDOW HARNESS</b> 4 Door Hardtop, Driver Side Rear Door Note: Customer Must Supply Their Original Rubber Boot	\$153.00	
08260	1967	<b>POWER WINDOW HARNESS</b> Driver Side Door	\$212.00	
27310	1967	<b>POWER WINDOW HARNESS</b> Passenger Side Door	\$147.00	
07640	1967	<b>POWER WINDOW HARNESS</b> Quarter Window, Coupe, (2 Required Per Car ) Note: Customer Must Reuse Their Original Plastic 3 Terminal Connector That Attaches This Harness To Ribbon Cable.	\$87.00	
07695	1967	<b>POWER WINDOW HARNESS</b> Quarter Window, Convertible, (2 Required Per Car ) Note: Customer Must Reuse Their Original Plastic 3 Terminal Connector That Attaches This Harness To Ribbon Cable.	\$87.00	
40541	1968	<b>POWER WINDOW HARNESS</b> Rear Door, Tempest & Lemans 4 Door Hardtops, (2 Required Per Car) Note: Customer Must Supply Their Original Rubber Boot	\$153.00	
40542	1968	<b>POWER WINDOW HARNESS</b> Rear Door, Tempest Wagons & 4 Door Sedans, (2 Required Per Car) Note: Customer Must Supply Their Original Rubber Boot	\$153.00	
14170	1968	<b>POWER WINDOW HARNESS</b> Quarter Windows & Intermediate Body	\$186.00	
31135	1968	<b>POWER WINDOW HARNESS</b> Driver Side Door	\$219.00	
14165	1968	<b>POWER WINDOW HARNESS</b> Passenger Side Door	\$147.00	

Part Number	Year	Description	Price	*Rev.
14425	1969	<b>POWER WINDOW HARNESS</b> 4 Door, Driver Side Door And Under Dash Note: Not Available At This Time.	\$251.00	
37819	1969	<b>POWER WINDOW HARNESS</b> 4 Door, Passenger Side Door	\$153.00	
40541	1969	<b>POWER WINDOW HARNESS</b> Rear Door, Tempest & Lemans 4 Door Hardtops, (2 Required Per Car) Note: Customer Must Supply Their Original Rubber Boot	\$153.00	
40542	1969	<b>POWER WINDOW HARNESS</b> Rear Door, Tempest Wagons & 4 Door Sedans, (2 Required Per Car) Note: Customer Must Supply Their Original Rubber Boot	\$153.00	
39470	1969	<b>POWER WINDOW HARNESS</b> Driver Side Door And Under Dash Crossover	\$264.00	
37817	1969	<b>POWER WINDOW HARNESS</b> Passenger Side Door	\$147.00	
14405	1969	<b>POWER WINDOW HARNESS</b> Quarter Windows & Intermediate Body	\$186.00	
40554	1970	<b>POWER WINDOW HARNESS</b> 4 Door, Driver Side Door And Under Dash	\$251.00	
40555	1970	<b>POWER WINDOW HARNESS</b> 4 Door, Passenger Side Door	\$147.00	
40550	1970	<b>POWER WINDOW HARNESS</b> Rear Doors, 4 Door Hardtop, (2 Required Per Car) Note: Customer Must Supply Their Original Rubber Boot	\$147.00	
14445	1970	<b>POWER WINDOW HARNESS</b> Rear Doors, 4 Door Sedan, & Wagon, (2 Required Per Car) Note: Customer Must Supply Their Original Rubber Boot	\$147.00	
31140	1970	<b>POWER WINDOW HARNESS</b> Driver Side Door And Under Dash Crossover	\$264.00	
14470	1970	<b>POWER WINDOW HARNESS</b> Passenger Side Door	\$147.00	
14505	1970	<b>POWER WINDOW HARNESS</b> Quarter Windows & Intermediate Body	\$186.00	
40811	1971	<b>POWER WINDOW HARNESS</b> 4 Door, Driver Side Door And Under Dash Crossover	\$251.00	
40555	1971	<b>POWER WINDOW HARNESS</b> 4 Door, Passenger Side Door	\$147.00	
40801	1971	<b>POWER WINDOW HARNESS</b> Rear Doors, 4 Door Hardtop, (2 Required Per Car) Note: Customer Must Supply Their Original Rubber Boot	\$147.00	
40802	1971	<b>POWER WINDOW HARNESS</b> Rear Doors, 4 Door Sedan, & Wagon, (2 Required Per Car) Note: Customer Must Supply Their Original Rubber Boot	\$147.00	
31140	1971	<b>POWER WINDOW HARNESS</b> Driver Side Door And Under Dash Crossover	\$264.00	
14470	1971	<b>POWER WINDOW HARNESS</b> Passenger Side Door	\$147.00	
14505	1971	<b>POWER WINDOW HARNESS</b> Quarter Windows & Intermediate Body	\$186.00	
40811	1972	<b>POWER WINDOW HARNESS</b> 4 Door, Driver Side Door And Under Dash Crossover	\$251.00	
40555	1972	<b>POWER WINDOW HARNESS</b> 4 Door, Passenger Side Door	\$147.00	
40801	1972	<b>POWER WINDOW HARNESS</b> Rear Doors, 4 Door Hardtop, (2 Required Per Car) Note: Customer Must Supply Their Original Rubber Boot	\$147.00	
40802	1972	<b>POWER WINDOW HARNESS</b> Rear Doors, 4 Door Sedan, & Wagon, (2 Required Per Car) Note: Customer Must Supply Their Original Rubber Boot	\$147.00	
39471	1972	<b>POWER WINDOW HARNESS</b> Driver Side Door And Under Dash Crossover	\$264.00	
14470	1972	<b>POWER WINDOW HARNESS</b> Passenger Side Door	\$147.00	
14505	1972	<b>POWER WINDOW HARNESS</b> Quarter Windows & Intermediate Body	\$186.00	
40770	1973	<b>POWER WINDOW HARNESS</b> All 4 Door Cars, Without Power Door Locks, Under Dash Crossover	\$290.00	
40786	1973	<b>POWER WINDOW HARNESS</b> All 2 Door Cars, Without Power Door Locks, Under Dash Crossover	\$290.00	

Part Number	Year	Description	Price	*Rev.
40791	1973	<b>POWER WINDOW HARNESS</b> All 4 Door Cars, With Power Door Locks, Under Dash Crossover	\$290.00	
40792	1973	<b>POWER WINDOW HARNESS</b> All 2 Door Cars, With Power Door Locks, Under Dash Crossover	\$290.00	
40695	1973	<b>POWER WINDOW HARNESS</b> All, 4 Door Cars, With Switch Mounted In Arm Rest, Driver Side Door Note: Customer Must Supply Their Original Rubber Boot & Plastic Connector For The Window Switch.	\$251.00	
40771	1973	<b>POWER WINDOW HARNESS</b> All, 2 Door Cars, With Switch Mounted On Trim Pad, Driver Side Door Note: Customer Must Supply Their Original Rubber Boot.	\$251.00	
40772	1973	<b>POWER WINDOW HARNESS</b> All, 4 Door Cars, With Switch Mounted On Trim Pad, Driver Side Door Note: Customer Must Supply Their Original Rubber Boot.	\$251.00	
40788	1973	<b>POWER WINDOW HARNESS</b> All, 2 Door Cars, With Switch Mounted In Arm Rest, Driver Side Door Note: Customer Must Supply Their Original Rubber Boot.	\$251.00	
40703	1973	<b>POWER WINDOW HARNESS</b> All, 4 Door Cars, With Switch Mounted In Arm Rest, Passenger Side Door Note: Customer Must Supply Their Original Rubber Boot.	\$251.00	
40773	1973	<b>POWER WINDOW HARNESS</b> All, 2 Door Cars, With Switch Mounted On Trim Pad, Passenger Side Door Note: Customer Must Supply Their Original Rubber Boot.	\$251.00	
40774	1973	<b>POWER WINDOW HARNESS</b> All, 4 Door Cars, With Switch Mounted On Trim Pad, Passenger Side Door Note: Customer Must Supply Their Original Rubber Boot.	\$251.00	
40789	1973	<b>POWER WINDOW HARNESS</b> All, 2 Door Cars, With Switch Mounted In Arm Rest, Passenger Side Door Note: Customer Must Supply Their Original Rubber Boot.	\$251.00	
40775	1973	<b>POWER WINDOW HARNESS</b> All, 4 Door Cars, Driver Or Passenger Side Rear Door Note: Customer Must Supply Their Original Rubber Boot.	\$251.00	
40717	1974	<b>POWER WINDOW HARNESS</b> Center Crossover, With Power Door Locks, (Includes Door Jamb Switch Wiring)	\$290.00	
40718	1974	<b>POWER WINDOW HARNESS</b> Grand AM, 2 Door, Center Crossover, (Includes Door Jamb Switch Wiring)	\$290.00	
40719	1974	<b>POWER WINDOW HARNESS</b> Grand Am & Le Mans, 4 Door, Center Crossover, (Includes Door Jamb Switch Wiring)	\$290.00	
40695	1974	<b>POWER WINDOW HARNESS</b> All, 4 Door Cars, With Switch Mounted In Arm Rest, Driver Side Door Note: Customer Must Supply Their Original Rubber Boot & Plastic Connector For The Window Switch.	\$251.00	
40771	1974	<b>POWER WINDOW HARNESS</b> All, 2 Door Cars, With Switch Mounted On Trim Pad, Driver Side Door Note: Customer Must Supply Their Original Rubber Boot.	\$251.00	
40772	1974	<b>POWER WINDOW HARNESS</b> All, 4 Door Cars, With Switch Mounted On Trim Pad, Driver Side Door Note: Customer Must Supply Their Original Rubber Boot.	\$251.00	
40788	1974	<b>POWER WINDOW HARNESS</b> All, 2 Door Cars, With Switch Mounted In Arm Rest, Driver Side Door Note: Customer Must Supply Their Original Rubber Boot.	\$251.00	
40703	1974	<b>POWER WINDOW HARNESS</b> All, 4 Door Cars, With Switch Mounted In Arm Rest, Passenger Side Door Note: Customer Must Supply Their Original Rubber Boot.	\$251.00	
40773	1974	<b>POWER WINDOW HARNESS</b> All, 2 Door Cars, With Switch Mounted On Trim Pad, Passenger Side Door Note: Customer Must Supply Their Original Rubber Boot.	\$251.00	

Part Number	Year	Description	Price	*Rev.
40774	1974	<b>POWER WINDOW HARNESS</b> All, 4 Door Cars, With Switch Mounted On Trim Pad, Passenger Side Door Note: Customer Must Supply Their Original Rubber Boot.	\$251.00	
40789	1974	<b>POWER WINDOW HARNESS</b> All, 2 Door Cars, With Switch Mounted In Arm Rest, Passenger Side Door Note: Customer Must Supply Their Original Rubber Boot.	\$251.00	
40775	1974	<b>POWER WINDOW HARNESS</b> All, 4 Door Cars, Driver Or Passenger Side Rear Door Note: Customer Must Supply Their Original Rubber Boot.	\$251.00	
40717	1975	<b>POWER WINDOW HARNESS</b> Center Crossover, 4 Door, With Power Door Locks, (Includes Door Jamb Switch Wiring)	\$290.00	
40718	1975	<b>POWER WINDOW HARNESS</b> Grand Am & Le Mans, 2 Door, Center Crossover, (Includes Door Jamb Switch Wiring)	\$290.00	
40719	1975	<b>POWER WINDOW HARNESS</b> Grand Am & Le Mans, 4 Door, Center Crossover, (Includes Door Jamb Switch Wiring)	\$290.00	
40695	1975	<b>POWER WINDOW HARNESS</b> All, 4 Door Cars, With Switch Mounted In Arm Rest, Driver Side Door Note: Customer Must Supply Their Original Rubber Boot & Plastic Connector For The Window Switch.	\$251.00	
40771	1975	<b>POWER WINDOW HARNESS</b> All, 2 Door Cars, With Switch Mounted On Trim Pad, Driver Side Door Note: Customer Must Supply Their Original Rubber Boot.	\$251.00	
40772	1975	<b>POWER WINDOW HARNESS</b> All, 4 Door Cars, With Switch Mounted On Trim Pad, Driver Side Door Note: Customer Must Supply Their Original Rubber Boot.	\$251.00	
40788	1975	<b>POWER WINDOW HARNESS</b> All, 2 Door Cars, With Switch Mounted In Arm Rest, Driver Side Door Note: Customer Must Supply Their Original Rubber Boot.	\$251.00	
40774	1975	<b>POWER WINDOW HARNESS</b> All, 4 Door Cars, With Switch Mounted On Trim Pad, Passenger Side Door Note: Customer Must Supply Their Original Rubber Boot.	\$251.00	
40789	1975	<b>POWER WINDOW HARNESS</b> All, 2 Door Cars, With Switch Mounted In Arm Rest, Passenger Side Door Note: Customer Must Supply Their Original Rubber Boot.	\$251.00	
40775	1975	<b>POWER WINDOW HARNESS</b> All, 4 Door Cars, Driver Or Passenger Side Rear Door Note: Customer Must Supply Their Original Rubber Boot.	\$251.00	
40425	1976	<b>POWER WINDOW HARNESS</b> Le Mans, 2 Door, Center Crossover, With Power Door Locks, (Includes Door Jamb Switch Wiring)	\$290.00	
40426	1976	<b>POWER WINDOW HARNESS</b> Le Mans, 4 Door, Center Crossover, With Power Door Locks, (Includes Door Jamb Switch Wiring)	\$290.00	
40427	1976	<b>POWER WINDOW HARNESS</b> Le Mans, 2 Door, Center Crossover, Without Power Door Locks, (Includes Door Jamb Switch Wiring)	\$290.00	
40428	1976	<b>POWER WINDOW HARNESS</b> Le Mans, 4 Door, Center Crossover, Without Power Door Locks, (Includes Door Jamb Switch Wiring)	\$290.00	
40405	1976	<b>POWER WINDOW HARNESS</b> All, 2 Door Cars, With Switch Mounted On Trim Pad, Driver Side Door Note: Customer Must Supply Their Original Rubber Boot.	\$251.00	
40406	1976	<b>POWER WINDOW HARNESS</b> All, 4 Door Cars, With Switch Mounted On Trim Pad, Driver Side Door Note: Customer Must Supply Their Original Rubber Boot.	\$251.00	
40407	1976	<b>POWER WINDOW HARNESS</b> All, 2 Door Cars, With Switch Mounted In Arm Rest, Driver Side Door Note: Customer Must Supply Their Original Rubber Boot.	\$251.00	
40402	1976	<b>POWER WINDOW HARNESS</b> All, 2 Door Cars, With Switch Mounted On Trim Pad, Passenger Side Door Note: Customer Must Supply Their Original Rubber Boot.	\$251.00	

Part Number	Year	Description	Price	*Rev.
40403	1976	<b>POWER WINDOW HARNESS</b> All, 4 Door Cars, With Switch Mounted On Trim Pad, Passenger Side Door Note: Customer Must Supply Their Original Rubber Boot.	\$251.00	
40404	1976	<b>POWER WINDOW HARNESS</b> All, 2 Door Cars, With Switch Mounted In Arm Rest, Passenger Side Door Note: Customer Must Supply Their Original Rubber Boot.	\$251.00	
40408	1976	<b>POWER WINDOW HARNESS</b> All, 4 Door Cars, Driver Or Passenger Side Rear Door Note: Customer Must Supply Their Original Rubber Boot.	\$251.00	
40427	1977	<b>POWER WINDOW HARNESS</b> Le Mans, 2 Door, Center Crossover, Without Power Door Locks, (Includes Door Jamb Switch Wiring)	\$290.00	
40857	1977	<b>POWER WINDOW HARNESS</b> All, 2 Door, Center Crossover, With Power Door Locks, (Includes Door Jamb Switch Wiring) Note: Customer Must Supply Us Their Original Harness.	\$290.00	
40428	1977	<b>POWER WINDOW HARNESS</b> Le Mans, 4 Door, Center Crossover, Without Power Door Locks, (Includes Door Jamb Switch Wiring)	\$290.00	
40856	1977	<b>POWER WINDOW HARNESS</b> All, 4 Door, Center Crossover, With Power Door Locks, (Includes Door Jamb Switch Wiring) Note: Customer Must Supply Us Their Original Harness.	\$290.00	
40405	1977	<b>POWER WINDOW HARNESS</b> All, 2 Door Cars, With Switch Mounted On Trim Pad, Driver Side Door Note: Customer Must Supply Their Original Rubber Boot.	\$251.00	
40406	1977	<b>POWER WINDOW HARNESS</b> All, 4 Door Cars, With Switch Mounted On Trim Pad, Driver Side Door Note: Customer Must Supply Their Original Rubber Boot.	\$251.00	
40407	1977	<b>POWER WINDOW HARNESS</b> All, 2 Door Cars, With Switch Mounted In Arm Rest, Driver Side Door Note: Customer Must Supply Their Original Rubber Boot.	\$251.00	
40402	1977	<b>POWER WINDOW HARNESS</b> All, 2 Door Cars, With Switch Mounted On Trim Pad, Passenger Side Door Note: Customer Must Supply Their Original Rubber Boot.	\$251.00	
40403	1977	<b>POWER WINDOW HARNESS</b> All, 4 Door Cars, With Switch Mounted On Trim Pad, Passenger Side Door Note: Customer Must Supply Their Original Rubber Boot.	\$251.00	
40404	1977	<b>POWER WINDOW HARNESS</b> All, 2 Door Cars, With Switch Mounted In Arm Rest, Passenger Side Door Note: Customer Must Supply Their Original Rubber Boot.	\$251.00	
40408	1977	<b>POWER WINDOW HARNESS</b> All, 4 Door Cars, Driver Or Passenger Side Rear Door Note: Customer Must Supply Their Original Rubber Boot.	\$251.00	
<b>POWER WINDOW INTERMEDIATE HARNESS</b>				
06895	1964	<b>POWER WINDOW INTERMEDIATE HARNESS</b> Under Dash, Cross Over Only Note: Customer Must Reuse Their Original Plastic 6 Terminal Connector Note: Center Of Body Flat Ribbon Cable Not Available.	\$153.00	
07680	1965	<b>POWER WINDOW INTERMEDIATE HARNESS</b> Under Dash, Cross Over Only Note: Customer Must Reuse Their Original Plastic 6 Terminal Connector Note: Center Of Body Flat Ribbon Cable Not Available.	\$153.00	
07680	1966	<b>POWER WINDOW INTERMEDIATE HARNESS</b> Under Dash, Cross Over Only Note: Customer Must Reuse Their Original Plastic 6 Terminal Connector Note: Center Of Body Flat Ribbon Cable Not Available.	\$153.00	
08235	1967	<b>POWER WINDOW INTERMEDIATE HARNESS</b> Under Dash, Cross Over Only Note: Customer Must Reuse Their Original Plastic 6 Terminal Connector Note: Center Of Body Flat Ribbon Cable Not Available.	\$153.00	
40524	1968	<b>POWER WINDOW INTERMEDIATE HARNESS</b> Tempest Wagons & 4 Doors, Driver Side Front Door Harness To Harness In Rear Doors	\$153.00	



Part Number	Year	Description	Price	*Rev.
14410	1969	<b>POWER WINDOW INTERMEDIATE HARNESS</b> Tempest Wagons & 4 Doors, Driver Side Front Door Harness To Rear Door Harness	\$153.00	
40549	1970	<b>POWER WINDOW INTERMEDIATE HARNESS</b> 4 Door Hardtop, Driver Side Front Door Harness To Rear Door Harness	\$153.00	
14450	1970	<b>POWER WINDOW INTERMEDIATE HARNESS</b> 4 Door Sedan, & Wagons, Driver Side Front Door Harness To Rear Door Harness	\$153.00	
40549	1971	<b>POWER WINDOW INTERMEDIATE HARNESS</b> 4 Door Hardtop, Driver Side Front Door Harness To Rear Door Harness	\$153.00	
14450	1971	<b>POWER WINDOW INTERMEDIATE HARNESS</b> 4 Door Sedan, & Wagons, Driver Side Front Door Harness To Rear Door Harness	\$153.00	
40549	1972	<b>POWER WINDOW INTERMEDIATE HARNESS</b> 4 Door Hardtop, Driver Side Front Door Harness To Rear Door Harness	\$153.00	
14450	1972	<b>POWER WINDOW INTERMEDIATE HARNESS</b> 4 Door Sedan, & Wagons, Driver Side Front Door Harness To Rear Door Harness	\$153.00	
<b>POWER WINDOW MOTOR ADAPTER HARNESS</b>				
36954	1964	<b>POWER WINDOW MOTOR ADAPTER HARNESS</b> Adapts "T" Shaped Motor Connector To Side By Side Blade Type Motor Connector	\$22.00	C
36954	1961	<b>POWER WINDOW MOTOR ADAPTER HARNESS</b> Adapts "T" Shaped Motor Connector To Side By Side Blade Type Motor Connector	\$22.00	C
36954	1962	<b>POWER WINDOW MOTOR ADAPTER HARNESS</b> Adapts "T" Shaped Motor Connector To Side By Side Blade Type Motor Connector	\$22.00	C
36954	1963	<b>POWER WINDOW MOTOR ADAPTER HARNESS</b> Adapts "T" Shaped Motor Connector To Side By Side Blade Type Motor Connector	\$22.00	C
36954	1964	<b>POWER WINDOW MOTOR ADAPTER HARNESS</b> Adapts "T" Shaped Motor Connector To Side By Side Blade Type Motor Connector	\$22.00	C
36954	1965	<b>POWER WINDOW MOTOR ADAPTER HARNESS</b> Adapts "T" Shaped Motor Connector To Side By Side Blade Type Motor Connector	\$22.00	C
36954	1966	<b>POWER WINDOW MOTOR ADAPTER HARNESS</b> Adapts "T" Shaped Motor Connector To Side By Side Blade Type Motor Connector	\$22.00	C
36954	1967	<b>POWER WINDOW MOTOR ADAPTER HARNESS</b> Adapts "T" Shaped Motor Connector To Side By Side Blade Type Motor Connector	\$22.00	C
36954	1968	<b>POWER WINDOW MOTOR ADAPTER HARNESS</b> Adapts "T" Shaped Motor Connector To Side By Side Blade Type Motor Connector	\$22.00	C
36954	1969	<b>POWER WINDOW MOTOR ADAPTER HARNESS</b> Adapts "T" Shaped Motor Connector To Side By Side Blade Type Motor Connector	\$22.00	C
36954	1970	<b>POWER WINDOW MOTOR ADAPTER HARNESS</b> Adapts "T" Shaped Motor Connector To Side By Side Blade Type Motor Connector	\$22.00	C
36954	1971	<b>POWER WINDOW MOTOR ADAPTER HARNESS</b> Adapts "T" Shaped Motor Connector To Side By Side Blade Type Motor Connector	\$22.00	C
36954	1972	<b>POWER WINDOW MOTOR ADAPTER HARNESS</b> Adapts "T" Shaped Motor Connector To Side By Side Blade Type Motor Connector	\$22.00	C
36954	1973	<b>POWER WINDOW MOTOR ADAPTER HARNESS</b> Adapts "T" Shaped Motor Connector To Side By Side Blade Type Motor Connector	\$22.00	C
36954	1974	<b>POWER WINDOW MOTOR ADAPTER HARNESS</b> Adapts "T" Shaped Motor Connector To Side By Side Blade Type Motor Connector	\$22.00	C
36954	1975	<b>POWER WINDOW MOTOR ADAPTER HARNESS</b> Adapts "T" Shaped Motor Connector To Side By Side Blade Type Motor Connector	\$22.00	C
36954	1965	<b>POWER WINDOW MOTOR ADAPTER HARNESS</b> Adapts "T" Shaped Motor Connector To Side By Side Blade Type Motor Connector	\$22.00	C
36954	1966	<b>POWER WINDOW MOTOR ADAPTER HARNESS</b> Adapts "T" Shaped Motor Connector To Side By Side Blade Type Motor Connector	\$22.00	C
36954	1967	<b>POWER WINDOW MOTOR ADAPTER HARNESS</b> Adapts "T" Shaped Motor Connector To Side By Side Blade Type Motor Connector	\$22.00	C
36954	1968	<b>POWER WINDOW MOTOR ADAPTER HARNESS</b> Adapts "T" Shaped Motor Connector To Side By Side Blade Type Motor Connector	\$22.00	C

Part Number	Year	Description	Price	*Rev.
36954	1969	<b>POWER WINDOW MOTOR ADAPTER HARNESS</b> Adapts "T" Shaped Motor Connector To Side By Side Blade Type Motor Connector	\$22.00	C
36954	1970	<b>POWER WINDOW MOTOR ADAPTER HARNESS</b> Adapts "T" Shaped Motor Connector To Side By Side Blade Type Motor Connector	\$22.00	C
36954	1971	<b>POWER WINDOW MOTOR ADAPTER HARNESS</b> Adapts "T" Shaped Motor Connector To Side By Side Blade Type Motor Connector	\$22.00	C
36954	1972	<b>POWER WINDOW MOTOR ADAPTER HARNESS</b> Adapts "T" Shaped Motor Connector To Side By Side Blade Type Motor Connector	\$22.00	C
36954	1973	<b>POWER WINDOW MOTOR ADAPTER HARNESS</b> Adapts "T" Shaped Motor Connector To Side By Side Blade Type Motor Connector	\$22.00	C
36954	1974	<b>POWER WINDOW MOTOR ADAPTER HARNESS</b> Adapts "T" Shaped Motor Connector To Side By Side Blade Type Motor Connector	\$22.00	C
36954	1975	<b>POWER WINDOW MOTOR ADAPTER HARNESS</b> Adapts "T" Shaped Motor Connector To Side By Side Blade Type Motor Connector	\$22.00	C
<b>POWER WINDOW MOTOR EXTENSION</b>				
07170	1964	<b>POWER WINDOW MOTOR EXTENSION</b> Coupe, Quarter Window Harness To Motor, (2 Required Per Car )	\$25.00	
07005	1964	<b>POWER WINDOW MOTOR EXTENSION</b> Convertible, Quarter Window Harness To Motor, (2 Required Per Car )	\$32.00	
07655	1965	<b>POWER WINDOW MOTOR EXTENSION</b> Coupe, Quarter Window Harness To Motor, (2 Required Per Car )	\$25.00	
07660	1965	<b>POWER WINDOW MOTOR EXTENSION</b> Convertible, Quarter Window Harness To Motor, (2 Required Per Car )	\$25.00	
07655	1966	<b>POWER WINDOW MOTOR EXTENSION</b> Coupe, Quarter Window Harness To Motor, (2 Required Per Car )	\$25.00	
07660	1966	<b>POWER WINDOW MOTOR EXTENSION</b> Convertible, Quarter Window Harness To Motor, (2 Required Per Car )	\$25.00	
07655	1967	<b>POWER WINDOW MOTOR EXTENSION</b> Coupe, Quarter Window Harness To Motor, (2 Required Per Car )	\$25.00	
07660	1967	<b>POWER WINDOW MOTOR EXTENSION</b> Convertible, Quarter Window Harness To Motor, (2 Required Per Car )	\$25.00	
<b>POWER WINDOW RELAY AND ADAPTER HARNESS</b>				
39440	1968	<b>POWER WINDOW RELAY AND ADAPTER HARNESS</b> Includes New Standard Type Relay And Adapter To Mate To Factory Harness	\$40.00	
39440	1969	<b>POWER WINDOW RELAY AND ADAPTER HARNESS</b> Includes New Standard Type Relay And Adapter To Mate To Factory Harness	\$40.00	
39440	1970	<b>POWER WINDOW RELAY AND ADAPTER HARNESS</b> Includes New Standard Type Relay And Adapter To Mate To Factory Harness	\$40.00	
39440	1971	<b>POWER WINDOW RELAY AND ADAPTER HARNESS</b> Includes New Standard Type Relay And Adapter To Mate To Factory Harness	\$40.00	
<b>POWER WINDOW SWITCH</b>				
04432790	1964	<b>POWER WINDOW SWITCH</b> 1 Button, Round Corner Style, Chrome Note: Includes Door Panel Retainer & Escutcheon.	\$49.00	
04432791	1964	<b>POWER WINDOW SWITCH</b> 4 Button, Round Corner Style, Chrome Note: Includes Door Panel Retainer & Escutcheon.	\$67.00	
04432790	1965	<b>POWER WINDOW SWITCH</b> 1 Button, Round Corner Style, Chrome Note: Includes Door Panel Retainer & Escutcheon.	\$49.00	
04432791	1965	<b>POWER WINDOW SWITCH</b> 4 Button, Round Corner Style, Chrome Note: Includes Door Panel Retainer & Escutcheon.	\$67.00	
04432790	1966	<b>POWER WINDOW SWITCH</b> 1 Button, Round Corner Style, Chrome Note: Includes Door Panel Retainer & Escutcheon.	\$49.00	
04432791	1966	<b>POWER WINDOW SWITCH</b> 4 Button, Round Corner Style, Chrome Note: Includes Door Panel Retainer & Escutcheon.	\$67.00	
04432790	1967	<b>POWER WINDOW SWITCH</b> 1 Button, Round Corner Style, Chrome Note: Includes Door Panel Retainer & Escutcheon.	\$49.00	

Part Number	Year	Description	Price	*Rev.
04432791	1967	<b>POWER WINDOW SWITCH</b> 4 Button, Round Corner Style, Chrome Note: Includes Door Panel Retainer & Escutcheon.	\$67.00	
04432790	1968	<b>POWER WINDOW SWITCH</b> 1 Button, Round Corner Style, Chrome Note: Includes Door Panel Retainer & Escutcheon.	\$49.00	
04432791	1968	<b>POWER WINDOW SWITCH</b> 4 Button, Round Corner Style, Chrome Note: Includes Door Panel Retainer & Escutcheon.	\$67.00	
04432790	1969	<b>POWER WINDOW SWITCH</b> 1 Button, Round Corner Style, Chrome Note: Includes Door Panel Retainer & Escutcheon.	\$49.00	
04432791	1969	<b>POWER WINDOW SWITCH</b> 4 Button, Round Corner Style, Chrome Note: Includes Door Panel Retainer & Escutcheon.	\$67.00	
04432790	1970	<b>POWER WINDOW SWITCH</b> 1 Button, Round Corner Style, Chrome Note: Includes Door Panel Retainer & Escutcheon.	\$49.00	
04432791	1970	<b>POWER WINDOW SWITCH</b> 4 Button, Round Corner Style, Chrome Note: Includes Door Panel Retainer & Escutcheon.	\$67.00	
01725094	1976	<b>POWER WINDOW SWITCH</b> 1 Button, Square Corner Style, Chrome	\$21.00	M
01725094	1976	<b>POWER WINDOW SWITCH</b> Ventura, 1 Button, Square Corner Style, Chrome	\$21.00	M
01731231	1976	<b>POWER WINDOW SWITCH</b> 4 Button, Square Corner Style, Chrome	\$75.00	M
01731231	1976	<b>POWER WINDOW SWITCH</b> Ventura, 4 Button, Square Corner Style, Chrome	\$75.00	M
01725092	1976	<b>POWER WINDOW SWITCH</b> Lemans, 2 Button, Square Corner Style, Chrome	\$53.00	M
01725092	1976	<b>POWER WINDOW SWITCH</b> Ventura, 2 Button, Square Corner Style, Chrome	\$53.00	M
01725094	1977	<b>POWER WINDOW SWITCH</b> 1 Button, Square Corner Style, Chrome	\$21.00	M
01725094	1977	<b>POWER WINDOW SWITCH</b> Ventura, 1 Button, Square Corner Style, Chrome	\$21.00	M
01731231	1977	<b>POWER WINDOW SWITCH</b> Ventura, 4 Button, Square Corner Style, Chrome	\$75.00	M
01725092	1977	<b>POWER WINDOW SWITCH</b> Lemans, 2 Button, Square Corner Style, Chrome	\$53.00	M
01725092	1977	<b>POWER WINDOW SWITCH</b> Ventura, 2 Button, Square Corner Style, Chrome	\$53.00	M
01725094	1978	<b>POWER WINDOW SWITCH</b> 1 Button, Square Corner Style, Chrome	\$21.00	M
01725094	1978	<b>POWER WINDOW SWITCH</b> Ventura, 1 Button, Square Corner Style, Chrome	\$21.00	M
01731231	1978	<b>POWER WINDOW SWITCH</b> Ventura, 4 Button, Square Corner Style, Chrome	\$75.00	M
01725092	1978	<b>POWER WINDOW SWITCH</b> Lemans, 2 Button, Square Corner Style, Chrome	\$53.00	M
01725092	1978	<b>POWER WINDOW SWITCH</b> Ventura, 2 Button, Square Corner Style, Chrome	\$53.00	M
01731231	1979	<b>POWER WINDOW SWITCH</b> Ventura, 4 Button, Square Corner Style, Chrome	\$75.00	M
01725092	1979	<b>POWER WINDOW SWITCH</b> Ventura, 2 Button, Square Corner Style, Chrome	\$53.00	M
<b>RADIO AND SPEAKER HARNESS</b>				
13285	1969	<b>RADIO AND SPEAKER HARNESS</b> Rear Seat Speaker, Fader Control To Radio	\$66.00	
<b>RADIO HARNESS</b>				
40571	1970	<b>RADIO HARNESS</b> Stereo Tape Player Jumper, Radio To Tape Player	\$48.00	
40571	1971	<b>RADIO HARNESS</b> Stereo Tape Player Jumper, Radio To Tape Player	\$48.00	
<b>RADIO LAMP WIRE</b>				
40471	1963	<b>RADIO LAMP WIRE</b> All	\$27.00	
04620	1964	<b>RADIO LAMP WIRE</b> All	\$20.00	
04620	1965	<b>RADIO LAMP WIRE</b> All	\$20.00	
09615	1966	<b>RADIO LAMP WIRE</b> With AM	\$20.00	
09565	1966	<b>RADIO LAMP WIRE</b> With AM/FM	\$20.00	
09615	1967	<b>RADIO LAMP WIRE</b> With AM	\$20.00	
09565	1967	<b>RADIO LAMP WIRE</b> With AM/FM	\$20.00	
<b>RADIO NOISE SUPPRESSION JUMPER HARNESS</b>				
40660	1974	<b>RADIO NOISE SUPPRESSION JUMPER HARNESS</b> With A/C	\$53.00	

Part Number	Year	Description	Price	*Rev.
40660	1975	RADIO NOISE SUPPRESSION JUMPER HARNESS With A/C	\$53.00	
<b>RALLY GAUGE ADAPTER HARNESS</b>				
06230	1965	RALLY GAUGE ADAPTER HARNESS 6 Cylinder Note: 6 Cylinder Items Are Not Returnable.	\$180.00	
06235	1965	RALLY GAUGE ADAPTER HARNESS V/8	\$166.00	
<b>RALLY GAUGE TEMPERATURE EXTENSION HARNESS</b>				
15585	1970	RALLY GAUGE TEMPERATURE EXTENSION HARNESS From Engine Harness To Both Sending Units Note: With Rally Gauge Only.	\$25.00	
15585	1971	RALLY GAUGE TEMPERATURE EXTENSION HARNESS From Engine Harness To Both Sending Units. *Not Used With Ram Air Engine Harness Note: With Rally Gauge Only.	\$25.00	
15585	1972	RALLY GAUGE TEMPERATURE EXTENSION HARNESS From Engine Harness To Both Sending Units Note: With Rally Gauge Only.	\$25.00	
<b>RAM AIR HOOD SCOOP HARNESS</b>				
17255	1973	RAM AIR HOOD SCOOP HARNESS Vacuum Switch To Air Scoop Solenoid	\$34.00	
40676	1974	RAM AIR HOOD SCOOP HARNESS Vacuum Switch To Air Scoop Solenoid	\$40.00	
<b>REAR LAMP EXTENSION HARNESS</b>				
40483	1964	REAR LAMP EXTENSION HARNESS Safari 4 Door Wagon, Rear Lamp Harness To Backup Lamps, (Field Installed Only)	\$46.00	
04400	1964	REAR LAMP EXTENSION HARNESS Rear Lamp Harness To Backup Lamps, Except Wagon, (Field Installed Only)	\$33.00	
40483	1965	REAR LAMP EXTENSION HARNESS Safari 4 Door Wagon, Rear Lamp Harness To Backup Lamps, (Field Installed Only)	\$46.00	
<b>REAR LAMP HARNESS</b>				
32220	1961	REAR LAMP HARNESS Coupe & Sedan	\$186.00	
32225	1961	REAR LAMP HARNESS Safari 4 Door Wagon	\$239.00	
32205	1961	REAR LAMP INTERMEDIATE HARNESS Coupe & Sedan, Without Front Door Courtesy Lamp Switches	\$186.00	
32210	1961	REAR LAMP INTERMEDIATE HARNESS Coupe & Sedan, With Front Door Courtesy Lamp Switches	\$186.00	
32215	1961	REAR LAMP INTERMEDIATE HARNESS Safari 4 Door Wagon, With Front Door Courtesy Lamp Switches	\$239.00	
32200	1961	REAR LAMP INTERMEDIATE HARNESS Safari 4 Door Wagon, Without Front Door Courtesy Lamp Switches	\$239.00	
32225	1962	REAR LAMP HARNESS Safari 4 Door Wagon	\$239.00	
32350	1962	REAR LAMP HARNESS Tempest, Except Wagon	\$186.00	
32205	1962	REAR LAMP INTERMEDIATE HARNESS Coupe & Sedan, Without Front Door Courtesy Lamp Switches	\$186.00	
32210	1962	REAR LAMP INTERMEDIATE HARNESS Coupe & Sedan, With Front Door Courtesy Lamp Switches	\$186.00	
32200	1962	REAR LAMP INTERMEDIATE HARNESS Safari 4 Door Wagon, Without Front Door Courtesy Lamp Switches	\$239.00	
32195	1962	REAR LAMP INTERMEDIATE HARNESS Convertible, Without Power Top	\$239.00	
32710	1962	REAR LAMP INTERMEDIATE HARNESS Convertible, With Power Top	\$279.00	
32345	1963	REAR LAMP HARNESS Tempest, All Except Wagon	\$212.00	
32355	1963	REAR LAMP HARNESS Le Mans	\$212.00	
32440	1963	REAR LAMP HARNESS Safari 4 Door Wagon	\$239.00	
32450	1963	REAR LAMP INTERMEDIATE HARNESS Coupe, Sedan, Tempest & Le Mans	\$212.00	
32360	1963	REAR LAMP INTERMEDIATE HARNESS Convertible, Tempest & Le Mans	\$239.00	
34175	1963	REAR LAMP INTERMEDIATE HARNESS Safari 4 Door Wagon	\$239.00	
31240	1964	REAR LAMP HARNESS Safari 4 Door Wagon, Rear Section, With Backup Lamps, Except Power Tailgate Window	\$239.00	

Part Number	Year	Description	Price	*Rev.
31245	1964	<b>REAR LAMP HARNESS</b> Safari 4 Door Wagon, Rear Section, With Backup Lamps & Power Tailgate Window Note: Customer Must Supply Their Original Rubber Boot	\$259.00	
31345	1964	<b>REAR LAMP HARNESS</b> Safari 4 Door Wagon, Rear Section, With Power Tailgate Window, Except Backup Lamps Note: Customer Must Supply Their Original Rubber Boot	\$239.00	
17315	1964	<b>REAR LAMP HARNESS</b> Convertible, Le Mans & GTO, Includes Backup Lamp Extension Wiring	\$233.00	
17320	1964	<b>REAR LAMP HARNESS</b> Convertible, Tempest & Tempest Custom, Includes Backup Lamp Extension Wiring	\$219.00	
13945	1964	<b>REAR LAMP HARNESS</b> Coupe, Le Mans & GTO, Includes Backup Lamp Extension Wiring	\$212.00	
17310	1964	<b>REAR LAMP HARNESS</b> Coupe, Tempest & Tempest Custom, Includes Backup Lamp Extension Wiring	\$193.00	
31220	1964	<b>REAR LAMP HARNESS</b> Safari 4 Door Wagon, Rear Section, Without Backup Lamps Or Power Tailgate Window	\$212.00	
31360	1965	<b>REAR LAMP HARNESS</b> Safari 4 Door Wagon, With Power Tailgate Window Note: Customer Must Supply Their Original Rubber Boot, & Plastic Connector For Power Window Switch	\$286.00	
07850	1965	<b>REAR LAMP HARNESS</b> Safari 4 Door Wagon, Without Power Tailgate Window	\$239.00	
07570	1965	<b>REAR LAMP HARNESS</b> Convertible, Tempest, Le Mans & GTO	\$226.00	
07565	1965	<b>REAR LAMP HARNESS</b> Convertible, Tempest Custom	\$219.00	
07560	1965	<b>REAR LAMP HARNESS</b> Coupe & Sedan, All	\$193.00	
08245	1966	<b>REAR LAMP HARNESS</b> Tempest Wagons, Without Power Tailgate Window	\$226.00	
08250	1966	<b>REAR LAMP HARNESS</b> Tempest Wagons, With Power Tailgate Window Note: Customer Must Supply Their Original Rubber Boot	\$245.00	
08280	1966	<b>REAR LAMP HARNESS</b> Convertible, GTO	\$226.00	
08285	1966	<b>REAR LAMP HARNESS</b> Convertible, Tempest & Le Mans	\$226.00	
08270	1966	<b>REAR LAMP HARNESS</b> Convertible, Tempest Custom	\$226.00	
08275	1966	<b>REAR LAMP HARNESS</b> Coupe, GTO	\$212.00	
08265	1966	<b>REAR LAMP HARNESS</b> Coupe, Tempest, Tempest Custom & Le Mans	\$212.00	
07025	1967	<b>REAR LAMP HARNESS</b> Tempest Wagons, Without Power Tailgate Window	\$226.00	
07030	1967	<b>REAR LAMP HARNESS</b> Tempest Wagons, With Power Tailgate Window Note: Customer Must Supply Their Original Rubber Boot	\$245.00	
14055	1967	<b>REAR LAMP HARNESS</b> Convertible, GTO	\$239.00	
13890	1967	<b>REAR LAMP HARNESS</b> Convertible, Tempest & Le Mans	\$239.00	
13885	1967	<b>REAR LAMP HARNESS</b> Convertible, Tempest Custom	\$239.00	
14050	1967	<b>REAR LAMP HARNESS</b> Coupe, GTO	\$212.00	
13880	1967	<b>REAR LAMP HARNESS</b> Coupe, Tempest, Tempest Custom & Le Mans	\$212.00	
40527	1968	<b>REAR LAMP HARNESS</b> Tempest Wagons, Without Power Tailgate Window	\$226.00	
40528	1968	<b>REAR LAMP HARNESS</b> Tempest Wagons, With Power Tailgate Window Note: Customer Must Supply Their Original Rubber Boot	\$245.00	
14140	1968	<b>REAR LAMP HARNESS</b> Convertible, Tempest, Le Mans & GTO With Power Top	\$346.00	
14130	1968	<b>REAR LAMP HARNESS</b> Convertible, Tempest Custom	\$304.00	
14125	1968	<b>REAR LAMP HARNESS</b> Coupe, All 2 Door	\$265.00	
14145	1968	<b>REAR LAMP HARNESS</b> Tempest, Lemans 4 Door Sedan & Hardtop	\$305.00	
40521	1968	<b>REAR LAMP INTERMEDIATE HARNESS</b> Tempest Wagons, Without Power Tailgate Window	\$226.00	

Part Number	Year	Description	Price	*Rev.
40522	1968	<b>REAR LAMP INTERMEDIATE HARNESS</b> Tempest Wagons, With Power Tailgate Window	\$226.00	
40533	1969	<b>REAR LAMP HARNESS</b> Tempest, 2 Seat Wagon, Without Power Tailgate Window	\$226.00	
40537	1969	<b>REAR LAMP HARNESS</b> Tempest, 3 Seat Wagon, Without Power Tailgate Window	\$226.00	
40562	1969	<b>REAR LAMP HARNESS</b> Tempest, 3 Seat Wagon, With Power Tailgate Window Note: Customer Must Supply Their Original Rubber Boot.	\$245.00	
40746	1969	<b>REAR LAMP HARNESS</b> Tempest, 2 Seat Wagon, With Power Tailgate Window Note: Customer Must Supply Their Original Rubber Boot.	\$245.00	
14285	1969	<b>REAR LAMP HARNESS</b> Convertible, GTO	\$359.00	
14250	1969	<b>REAR LAMP HARNESS</b> Convertible, Tempest & Le Mans	\$359.00	
14245	1969	<b>REAR LAMP HARNESS</b> Convertible, Tempest Custom	\$359.00	
14280	1969	<b>REAR LAMP HARNESS</b> Coupe, GTO	\$291.00	
14235	1969	<b>REAR LAMP HARNESS</b> Coupe, Tempest & Le Mans 2 Door	\$291.00	
14240	1969	<b>REAR LAMP HARNESS</b> Tempest, Lemans 4 Door Sedan & Hardtop	\$344.00	
40538	1969	<b>REAR LAMP INTERMEDIATE HARNESS</b> Tempest Wagons, Without Power Tailgate Window	\$226.00	
40539	1969	<b>REAR LAMP INTERMEDIATE HARNESS</b> Tempest Wagons, With Power Tailgate Window	\$245.00	
40755	1970	<b>REAR LAMP HARNESS</b> Rear, Wagon With Power Tailgate Window Note: Customer Must Supply Their Original Rubber Boot.	\$245.00	
40756	1970	<b>REAR LAMP HARNESS</b> Rear, Wagon Without Power Tailgate Window Note: Customer Must Supply Their Original Rubber Boot.	\$226.00	
13685	1970	<b>REAR LAMP HARNESS</b> Trunk, With Lamp Monitor, Set Of 2	\$344.00	
13680	1970	<b>REAR LAMP HARNESS</b> Trunk, Without Lamp Monitor, Set Of 2	\$265.00	
40753	1970	<b>REAR LAMP INTERMEDIATE HARNESS</b> Wagon, Without Power Tailgate Window	\$226.00	
40754	1970	<b>REAR LAMP INTERMEDIATE HARNESS</b> Wagon, With Power Tailgate Window	\$245.00	
17335	1970	<b>REAR LAMP INTERMEDIATE HARNESS</b> Convertible	\$304.00	
17340	1970	<b>REAR LAMP INTERMEDIATE HARNESS</b> Coupe	\$239.00	
40756	1971	<b>REAR LAMP HARNESS</b> Rear, Wagon Without Power Tailgate Window Note: Customer Must Supply Their Original Rubber Boot.	\$226.00	
40797	1971	<b>REAR LAMP HARNESS</b> Rear, Wagon With Power Tailgate Window Note: Customer Must Supply Their Original Rubber Boot.	\$245.00	
13680	1971	<b>REAR LAMP HARNESS</b> Trunk, Without Lamp Monitor, Set Of 2	\$265.00	
40753	1971	<b>REAR LAMP INTERMEDIATE HARNESS</b> Wagon, Without Power Tailgate Window	\$226.00	
40754	1971	<b>REAR LAMP INTERMEDIATE HARNESS</b> Wagon, With Power Tailgate Window	\$245.00	
17335	1971	<b>REAR LAMP INTERMEDIATE HARNESS</b> Convertible	\$304.00	
17340	1971	<b>REAR LAMP INTERMEDIATE HARNESS</b> Coupe	\$239.00	
40803	1971	<b>REAR LAMP HARNESS</b> Ventura	\$236.00	
40804	1971	<b>REAR LAMP INTERMEDIATE HARNESS</b> Ventura, Without Under Dash Courtesy Lamps	\$202.00	
40805	1971	<b>REAR LAMP INTERMEDIATE HARNESS</b> Ventura, With Under Dash Courtesy Lamps	\$279.00	
40756	1972	<b>REAR LAMP HARNESS</b> Rear, Wagon Without Power Tailgate Window Note: Customer Must Supply Their Original Rubber Boot.	\$226.00	
40797	1972	<b>REAR LAMP HARNESS</b> Rear, Wagon With Power Tailgate Window Note: Customer Must Supply Their Original Rubber Boot.	\$245.00	
13680	1972	<b>REAR LAMP HARNESS</b> Trunk, Without Lamp Monitor, Set Of 2	\$265.00	
40753	1972	<b>REAR LAMP INTERMEDIATE HARNESS</b> Wagon, Without Power Tailgate Window & Seat Belt Warning	\$226.00	
40754	1972	<b>REAR LAMP INTERMEDIATE HARNESS</b> Wagon, With Power Tailgate Window, Without Seat Belt Warning	\$245.00	
40806	1972	<b>REAR LAMP INTERMEDIATE HARNESS</b> Wagon, Without Power Tailgate Window, With Seat Belt Warning	\$239.00	
40807	1972	<b>REAR LAMP INTERMEDIATE HARNESS</b> Wagon, With Power Tailgate Window & Seat Belt Warning	\$291.00	

Part Number	Year	Description	Price	*Rev.
17335	1972	<b>REAR LAMP INTERMEDIATE HARNESS</b> Convertible, Without Seat Belt Warning	\$304.00	
17340	1972	<b>REAR LAMP INTERMEDIATE HARNESS</b> Coupe, Without Seat Belt Warning	\$239.00	
17350	1972	<b>REAR LAMP INTERMEDIATE HARNESS</b> Convertible, With Seat Belt Warning	\$332.00	
17345	1972	<b>REAR LAMP INTERMEDIATE HARNESS</b> Coupe, With Seat Belt Warning	\$305.00	
40803	1972	<b>REAR LAMP HARNESS</b> Ventura	\$236.00	
40694	1972	<b>REAR LAMP INTERMEDIATE HARNESS</b> Ventura, With Seat Belt Warning	\$233.00	
40804	1972	<b>REAR LAMP INTERMEDIATE HARNESS</b> Ventura, Without Seat Belt Warning	\$202.00	
40805	1972	<b>REAR LAMP INTERMEDIATE HARNESS</b> Ventura, With Under Dash Courtesy Lamps, Except Seat Belt Warning	\$279.00	
40808	1972	<b>REAR LAMP INTERMEDIATE HARNESS</b> Ventura, With Under Dash Courtesy Lamps & Seat Belt Warning	\$279.00	
40630	1973	<b>REAR LAMP HARNESS</b> Wagon, Rear, Tail Lamps To Rear Body Harness	\$226.00	
40763	1973	<b>REAR LAMP HARNESS</b> All, Except Wagon	\$291.00	
40787	1973	<b>REAR LAMP HARNESS</b> Wagon, Rear Body Section, Connects Intermediate Harness To Rear Lamp Harness In Bumper Note: Customer Must Supply Us With Original Harness, Must Use A Few Parts From Original.	\$113.00	
40759	1973	<b>REAR LAMP INTERMEDIATE HARNESS</b> All, Le Mans, Except Wagon	\$193.00	C
40760	1973	<b>REAR LAMP INTERMEDIATE HARNESS</b> All, Wagons	\$199.00	
40705	1973	<b>REAR LAMP HARNESS</b> Ventura	\$291.00	
20955	1973	<b>REAR LAMP INTERMEDIATE HARNESS</b> Ventura, With Under Dash Courtesy Lamps	\$206.00	
40708	1973	<b>REAR LAMP INTERMEDIATE HARNESS</b> Ventura, Without Under Dash Courtesy Lamps	\$206.00	
40673	1974	<b>REAR LAMP HARNESS</b> Wagon, Rear, Tail Lamps To Rear Body Harness	\$219.00	
40058	1974	<b>REAR LAMP HARNESS</b> All, Le Mans, Except Wagon Note: This Harness Has 1 Tail Lamp Socket Per Side.	\$291.00	C
40787	1974	<b>REAR LAMP HARNESS</b> Wagon, Rear Body Section, Connects Intermediate Harness To Rear Lamp Harness In Bumper Note: Customer Must Supply Us With Original Harness, Must Use A Few Parts From Original.	\$113.00	
40759	1974	<b>REAR LAMP INTERMEDIATE HARNESS</b> All, Le Mans, Except Wagon	\$193.00	C
40760	1974	<b>REAR LAMP INTERMEDIATE HARNESS</b> All Wagons	\$199.00	
39340	1974	<b>REAR LAMP HARNESS</b> Ventura Note: This Harness Has 2 Tail Lamp Sockets And 1 Back Up Socket Per Side.	\$291.00	C
40495	1974	<b>REAR LAMP INTERMEDIATE HARNESS</b> Ventura Note: Customer Must Supply Us With Original Harness, Must Use A Few Parts From Original.	\$286.00	
40673	1975	<b>REAR LAMP HARNESS</b> Wagon, Rear, Tail Lamps To Rear Body Harness	\$219.00	
40058	1975	<b>REAR LAMP HARNESS</b> All, Le Mans, Except Wagon Note: This Harness Has 1 Tail Lamp Socket Per Side.	\$291.00	C
40787	1975	<b>REAR LAMP HARNESS</b> Wagon, Rear Body Section, Connects Intermediate Harness To Rear Lamp Harness In Bumper Note: Customer Must Supply Us With Original Harness, Must Use A Few Parts From Original.	\$113.00	
40399	1975	<b>REAR LAMP INTERMEDIATE HARNESS</b> All, Except Wagon	\$226.00	
40414	1975	<b>REAR LAMP INTERMEDIATE HARNESS</b> All Wagons	\$199.00	
40673	1976	<b>REAR LAMP HARNESS</b> Wagon, Rear, Tail Lamps To Rear Body Harness	\$219.00	
40488	1976	<b>REAR LAMP HARNESS</b> Except Wagon	\$291.00	
40787	1976	<b>REAR LAMP HARNESS</b> Wagon, Rear Body Section, Connects Intermediate Harness To Rear Lamp Harness In Bumper Note: Customer Must Supply Us With Original Harness, Must Use A Few Parts From Original.	\$113.00	
40399	1976	<b>REAR LAMP INTERMEDIATE HARNESS</b> All, Except Wagon	\$226.00	
40414	1976	<b>REAR LAMP INTERMEDIATE HARNESS</b> All Wagons	\$199.00	
40488	1977	<b>REAR LAMP HARNESS</b> Except Wagon	\$291.00	

Part Number	Year	Description	Price	*Rev.
40787	1977	<b>REAR LAMP HARNESS</b> Wagon, Rear Body Section, Connects Intermediate Harness To Rear Lamp Harness In Bumper Note: Customer Must Supply Us With Original Harness, Must Use A Few Parts From Original.	\$113.00	
40673	1977	<b>REAR LAMP HARNESS</b> Wagon, Rear, Tail Lamps To Rear Body Harness	\$219.00	
40399	1977	<b>REAR LAMP INTERMEDIATE HARNESS</b> All, Except Wagon	\$226.00	
40414	1977	<b>REAR LAMP INTERMEDIATE HARNESS</b> All Wagons	\$199.00	
<b>REAR WINDOW DEFROSTER HARNESS</b>				
05835	1964	<b>REAR WINDOW DEFROSTER HARNESS</b>	\$26.00	
05835	1965	<b>REAR WINDOW DEFROSTER HARNESS</b>	\$26.00	
40491	1966	<b>REAR WINDOW DEFROSTER HARNESS</b>	\$46.00	
40491	1967	<b>REAR WINDOW DEFROSTER HARNESS</b>	\$46.00	
14220	1968	<b>REAR WINDOW DEFROSTER HARNESS</b>	\$80.00	
40543	1969	<b>REAR WINDOW DEFROSTER HARNESS</b> With Electric Heated Back Glass	\$53.00	
14220	1969	<b>REAR WINDOW DEFROSTER HARNESS</b> Blower Type Defroster	\$80.00	
19445	1970	<b>REAR WINDOW DEFROSTER HARNESS</b> Resistance Wire, Used With Blower Type Defroster	\$80.00	
40056	1970	<b>REAR WINDOW DEFROSTER HARNESS</b> With Electric Heated Back Glass	\$41.00	
14545	1970	<b>REAR WINDOW DEFROSTER HARNESS</b> Blower Type Defroster	\$80.00	
40056	1971	<b>REAR WINDOW DEFROSTER HARNESS</b> With Electric Heated Back Glass	\$41.00	
40798	1971	<b>REAR WINDOW DEFROSTER HARNESS</b> Wagon, Blower Type Defroster	\$46.00	
14545	1971	<b>REAR WINDOW DEFROSTER HARNESS</b> All With Blower Type, Except Wagon	\$80.00	
14420	1971	<b>REAR WINDOW DEFROSTER HARNESS</b> Ventura, With Blower Type Defroster	\$59.00	
40056	1972	<b>REAR WINDOW DEFROSTER HARNESS</b> With Electric Heated Back Glass	\$41.00	
40798	1972	<b>REAR WINDOW DEFROSTER HARNESS</b> Wagon, Blower Type Defroster	\$46.00	
14545	1972	<b>REAR WINDOW DEFROSTER HARNESS</b> All With Blower Type, Except Wagon	\$80.00	
14420	1972	<b>REAR WINDOW DEFROSTER HARNESS</b> Ventura, With Blower Type Defroster	\$59.00	
40640	1973	<b>REAR WINDOW DEFROSTER HARNESS</b> Blower Type Defroster	\$46.00	
40641	1973	<b>REAR WINDOW DEFROSTER HARNESS</b> With Electric Heated Back Glass, Instrument Panel Switch To Fuse Box	\$46.00	
40767	1973	<b>REAR WINDOW DEFROSTER HARNESS</b> With Electric Heated Back Glass	\$51.00	
40781	1973	<b>REAR WINDOW DEFROSTER HARNESS</b> With Blower Type Defroster	\$58.00	
40707	1973	<b>REAR WINDOW DEFROSTER HARNESS</b> Ventura	\$67.00	
40640	1974	<b>REAR WINDOW DEFROSTER HARNESS</b> Blower Type Defroster	\$46.00	
40641	1974	<b>REAR WINDOW DEFROSTER HARNESS</b> With Electric Heated Back Glass, Instrument Panel Switch To Fuse Box	\$46.00	
40767	1974	<b>REAR WINDOW DEFROSTER HARNESS</b> With Electric Heated Back Glass	\$51.00	
40781	1974	<b>REAR WINDOW DEFROSTER HARNESS</b> With Blower Type Defroster	\$58.00	
40707	1974	<b>REAR WINDOW DEFROSTER HARNESS</b> Ventura	\$67.00	
40640	1975	<b>REAR WINDOW DEFROSTER HARNESS</b> Blower Type Defroster	\$46.00	
40682	1975	<b>REAR WINDOW DEFROSTER HARNESS</b> Electric Type Defroster	\$46.00	
40781	1975	<b>REAR WINDOW DEFROSTER HARNESS</b> With Blower Type Defroster	\$58.00	
40767	1975	<b>REAR WINDOW DEFROSTER HARNESS</b> With Electric Heated Back Glass	\$51.00	
40640	1976	<b>REAR WINDOW DEFROSTER HARNESS</b> Blower Type Defroster	\$46.00	
40682	1976	<b>REAR WINDOW DEFROSTER HARNESS</b> Electric Type Defroster	\$46.00	
40767	1976	<b>REAR WINDOW DEFROSTER HARNESS</b> With Electric Heated Back Glass	\$51.00	
40781	1976	<b>REAR WINDOW DEFROSTER HARNESS</b> With Blower Type Defroster	\$58.00	
40767	1977	<b>REAR WINDOW DEFROSTER HARNESS</b> With Electric Heated Back Glass	\$51.00	
40781	1977	<b>REAR WINDOW DEFROSTER HARNESS</b> With Blower Type Defroster	\$58.00	



Part Number	Year	Description	Price	*Rev.
<b>REPAIR PIGTAIL-FOR POWER WINDOW SWITCH</b>				
36048	1964	REPAIR PIGTAIL, FOR POWER WINDOW SWITCH For Single Power Window Switches, Connector & Wire	\$25.00	
36048	1965	REPAIR PIGTAIL, FOR POWER WINDOW SWITCH For Single Power Window Switches, Connector & Wire	\$25.00	
36048	1966	REPAIR PIGTAIL, FOR POWER WINDOW SWITCH For Single Power Window Switches, Connector & Wire	\$25.00	
36048	1967	REPAIR PIGTAIL, FOR POWER WINDOW SWITCH For Single Power Window Switches, Connector & Wire	\$25.00	
36048	1968	REPAIR PIGTAIL, FOR POWER WINDOW SWITCH For Single Power Window Switches, Connector & Wire	\$25.00	
36048	1969	REPAIR PIGTAIL, FOR POWER WINDOW SWITCH For Single Power Window Switches, Connector & Wire	\$25.00	
36048	1970	REPAIR PIGTAIL, FOR POWER WINDOW SWITCH For Single Power Window Switches, Connector & Wire	\$25.00	
<b>REVERBERATION UNIT HARNESS</b>				
06825	1964	REVERBERATION UNIT HARNESS Coupe & Sedan	\$119.00	
07645	1965	REVERBERATION UNIT HARNESS Coupe & Sedan	\$119.00	
07645	1966	REVERBERATION UNIT HARNESS Coupe & Sedan	\$119.00	
07645	1967	REVERBERATION UNIT HARNESS Coupe & Sedan	\$119.00	
40511	1969	REVERBERATION UNIT HARNESS	\$92.00	
<b>SCS JUMPER HARNESS</b>				
40610	1972	SCS GROUND WIRE V/8, With 3 Speed Or A/T Note: (S.C.S.) Stands For Speedometer Control Spark Switch.	\$26.00	
36233	1972	SCS JUMPER HARNESS 350 & 400 C.I. With 3 Speed Or A/T, Engine Harness To Trans Switch Note: (S.C.S.) Stands For Speedometer Control Spark Switch.	\$35.00	
<b>SEAT BELT WARNING EXTENSION WIRE</b>				
40645	1972	SEAT BELT WARNING EXTENSION WIRE Parking Brake Switch To Seat Belt Warning Harness	\$27.00	
40646	1972	SEAT BELT WARNING EXTENSION WIRE Fuse Block To Seat Belt Warning Harness	\$27.00	
<b>SEAT BELT WARNING HARNESS</b>				
40616	1972	SEAT BELT WARNING HARNESS With Floor Shift Trans	\$80.00	
40809	1972	SEAT BELT WARNING HARNESS Ventura, Passenger Side, Seat Sensor Switch To Seat Belt Retractor	\$34.00	
40626	1973	SEAT BELT WARNING HARNESS Manual Trans	\$67.00	
40649	1973	SEAT BELT WARNING HARNESS Wagon, With Electric Tailgate Release	\$67.00	
40701	1973	SEAT BELT WARNING HARNESS All, Passenger Side, Seat Sensor Switch To Seat Belt Retractor	\$34.00	
40702	1973	SEAT BELT WARNING HARNESS All, Driver Side, Under Dash To Seat Belt Retractor	\$34.00	
40809	1973	SEAT BELT WARNING HARNESS Ventura, Passenger Side, Seat Sensor Switch To Seat Belt Retractor	\$34.00	
40607	1974	SEAT BELT WARNING HARNESS Ventura, With Column Shift Manual Trans, Dash Harness To Clutch Start Switch	\$67.00	
40606	1974	SEAT BELT WARNING HARNESS Ventura, With Floor Shift Manual Trans, Dash Harness To Clutch Start Switch	\$67.00	
40665	1974	SEAT BELT WARNING HARNESS With Manual Trans	\$67.00	
40832	1975	SEAT BELT WARNING HARNESS Dash Harness To Seat Belt Warning Buzzer	\$53.00	
40421	1975	SEAT BELT WARNING HARNESS All, Dash Harness To Timer & Buzzer Note: Customer Must Reuse Their Original Single Wire Plastic Connector That Attaches This Harness To The Instrument Panel Harness.	\$80.00	
<b>SEAT BELT WARNING JUMPER HARNESS</b>				
40422	1975	SEAT BELT WARNING JUMPER HARNESS All, Driver Side Seat Belt Retractor To Seat Belt Warning Harness	\$53.00	
40438	1976	SEAT BELT WARNING JUMPER HARNESS Buzzer To Seat Belt Retractor Switch	\$41.00	
40438	1977	SEAT BELT WARNING JUMPER HARNESS Buzzer To Seat Belt Retractor Switch	\$41.00	
<b>SEAT BELT WARNING RELAY HARNESS</b>				
40604	1973	SEAT BELT WARNING RELAY HARNESS Ventura, Manual Trans,	\$41.00	

Part Number	Year	Description	Price	*Rev.
<b>SHIFT INDICATOR LAMP WIRE</b>				
40658	1973	SHIFT INDICATOR LAMP WIRE Fiber Optic, Console Shift Auto	\$26.00	
40658	1974	SHIFT INDICATOR LAMP WIRE Fiber Optic, Console Shift Auto	\$26.00	
40658	1975	SHIFT INDICATOR LAMP WIRE Fiber Optic, Console Shift Auto	\$26.00	
40658	1976	SHIFT INDICATOR LAMP WIRE Fiber Optic, Console Shift Auto	\$26.00	
40658	1977	SHIFT INDICATOR LAMP WIRE Fiber Optic, Console Shift Auto	\$26.00	
<b>SPEAKER GROUND WIRE</b>				
40492	1967	SPEAKER GROUND WIRE Rear Speaker, All Convertible, (2 Required Per Car With Stereo Radio Option)	\$21.00	
40492	1968	SPEAKER GROUND WIRE Rear Speaker, All Convertible, (2 Required Per Car With Stereo Radio Option)	\$21.00	
40492	1969	SPEAKER GROUND WIRE Rear Speaker, All Convertible, (2 Required Per Car With Stereo Radio Option)	\$21.00	
40492	1970	SPEAKER GROUND WIRE Rear Speaker, All Convertible, (2 Required Per Car With Stereo Radio Option)	\$21.00	
40492	1971	SPEAKER GROUND WIRE Rear Speaker, All Convertible, (2 Required Per Car With Stereo Radio Option)	\$21.00	
40492	1972	SPEAKER GROUND WIRE Rear Speaker, All Convertible, (2 Required Per Car With Stereo Radio Option)	\$21.00	
<b>SPEAKER HARNESS</b>				
06795	1964	SPEAKER HARNESS Single Rear Speaker, Except Convertible & Wagons	\$20.00	
07585	1965	SPEAKER HARNESS Single Rear Speaker, Except Wagons	\$25.00	
40489	1966	SPEAKER HARNESS Single Rear Speaker, Tempest Wagons	\$52.00	
07585	1966	SPEAKER HARNESS Single Rear Speaker, Except Wagons	\$25.00	
40489	1967	SPEAKER HARNESS Single Rear Speaker, Tempest Wagons	\$52.00	
07585	1967	SPEAKER HARNESS Single Rear Speaker, Except Wagons	\$25.00	
40525	1968	SPEAKER HARNESS Single Rear Speaker, Tempest Wagons	\$25.00	
07585	1968	SPEAKER HARNESS Single Rear Speaker, Except Wagons	\$25.00	
40536	1969	SPEAKER HARNESS Single Rear Speaker, Tempest Wagons, Radio To Rear Speaker	\$38.00	
40540	1969	SPEAKER HARNESS Single Rear Speaker, Except Wagons	\$38.00	
40536	1970	SPEAKER HARNESS Single Rear Speaker, Tempest Wagon, Radio To Rear Speaker	\$38.00	
40558	1970	SPEAKER HARNESS Single Rear Speaker, Except Wagons	\$33.00	
40593	1971	SPEAKER HARNESS Cassette Radio To Fader Switch	\$48.00	
40536	1971	SPEAKER HARNESS Single Rear Speaker, Tempest Wagons, Radio To Rear Speaker	\$38.00	
40558	1971	SPEAKER HARNESS Single Rear Speaker, Except Wagons	\$33.00	
39316	1971	SPEAKER HARNESS Ventura, AM Or AM/FM, With Single Center Dash Speaker, Radio To Speaker	\$49.00	
39317	1971	SPEAKER HARNESS Ventura, With Stereo, Fader Control To Radio	\$92.00	
40563	1971	SPEAKER HARNESS Ventura, AM/FM With Accessory Tape Player, Fader Control To Radio & Tape Player	\$90.00	
40564	1971	SPEAKER HARNESS Ventura, With Accessory Tape Player, Without Radio, Tape Player To Front & Rear Speaker Harness	\$60.00	
40799	1971	SPEAKER HARNESS Ventura, Single Rear Seat Speaker, Radio To Rear Speaker	\$52.00	
40536	1972	SPEAKER HARNESS Single Rear Speaker, Tempest Wagons, Radio To Rear Speaker	\$38.00	
40558	1972	SPEAKER HARNESS Single Rear Speaker, Except Wagons	\$33.00	
39316	1972	SPEAKER HARNESS Ventura, AM Or AM/FM, With Single Center Dash Speaker, Radio To Speaker	\$49.00	
39317	1972	SPEAKER HARNESS Ventura, With Stereo, Fader Control To Radio	\$92.00	
40563	1972	SPEAKER HARNESS Ventura, AM/FM With Accessory Tape Player, Fader Control To Radio & Tape Player	\$90.00	

Part Number	Year	Description	Price	*Rev.
40564	1972	<b>SPEAKER HARNESS</b> Ventura, With Accessory Tape Player, Without Radio, Tape Player To Front & Rear Speaker Harness	\$60.00	
40799	1972	<b>SPEAKER HARNESS</b> Ventura, Single Rear Seat Speaker, Radio To Rear Speaker	\$52.00	
40632	1973	<b>SPEAKER HARNESS</b> Le Mans, With Stereo, Radio To Rear Speaker Lead	\$33.00	
40782	1973	<b>SPEAKER HARNESS</b> Single Rear Speaker, Except Wagon, Radio To Speaker	\$33.00	
40783	1973	<b>SPEAKER HARNESS</b> Wagon, Single Rear Speaker, Radio To Speaker	\$52.00	
40784	1973	<b>SPEAKER HARNESS</b> With Stereo, Rear Seat Speakers, Except Wagons, Radio To Speakers	\$101.00	
40785	1973	<b>SPEAKER HARNESS</b> Wagon, With Stereo, Radio To Rear Speakers	\$52.00	
39316	1973	<b>SPEAKER HARNESS</b> Ventura, AM Or AM/FM, With Single Center Dash Speaker, Radio To Speaker	\$49.00	
40564	1973	<b>SPEAKER HARNESS</b> Ventura, With Accessory Tape Player, Without Radio, Tape Player To Front & Rear Speaker Harness	\$60.00	
40706	1973	<b>SPEAKER HARNESS</b> Ventura, 2 Door Hatchback, Single Rear Seat Speaker, Radio To Speaker	\$38.00	
40799	1973	<b>SPEAKER HARNESS</b> Ventura, 2 Or 4 Door Notchback Sedan, Single Rear Seat Speaker, Radio To Rear Speaker	\$52.00	
40782	1974	<b>SPEAKER HARNESS</b> Single Rear Speaker, Except Wagon, Radio To Speaker	\$33.00	
40783	1974	<b>SPEAKER HARNESS</b> Wagon, Single Rear Speaker, Radio To Speaker	\$52.00	
40784	1974	<b>SPEAKER HARNESS</b> With Stereo, Rear Seat Speakers, Except Wagons, Radio To Speakers	\$101.00	
40785	1974	<b>SPEAKER HARNESS</b> Wagon, With Stereo, Radio To Rear Speakers	\$52.00	
39315	1974	<b>SPEAKER HARNESS</b> Ventura, With Stereo, Radio To Front & Rear Speaker Harness	\$101.00	
39316	1974	<b>SPEAKER HARNESS</b> Ventura, AM Or AM/FM, With Single Center Dash Speaker, Radio To Speaker	\$49.00	
39321	1974	<b>SPEAKER HARNESS</b> Ventura, AM Or AM/FM, Except Stereo, Radio To Front Center & Rear Seat Speaker Harness	\$80.00	
40706	1974	<b>SPEAKER HARNESS</b> Ventura, 2 Door Hatchback, Single Rear Seat Speaker, Radio To Speaker	\$38.00	
40799	1974	<b>SPEAKER HARNESS</b> Ventura, 2 Or 4 Door Notchback Sedan, Single Rear Seat Speaker, Radio To Rear Speaker	\$52.00	
40800	1974	<b>SPEAKER HARNESS</b> Ventura, 2 Or 4 Door Notchback Sedan, With Stereo, Rear Seat Speaker	\$73.00	
40784	1975	<b>SPEAKER HARNESS</b> With Stereo, Rear Seat Speakers, Except Wagons, Radio To Speakers	\$101.00	
40785	1975	<b>SPEAKER HARNESS</b> Wagon, With Stereo, Radio To Rear Speakers	\$52.00	
40782	1975	<b>SPEAKER HARNESS</b> Single Rear Speaker, Except Wagon, Radio To Speaker	\$33.00	
40783	1975	<b>SPEAKER HARNESS</b> Wagon, Single Rear Speaker, Radio To Speaker	\$52.00	
40784	1976	<b>SPEAKER HARNESS</b> With Stereo, Rear Seat Speakers, Except Wagons, Radio To Speakers	\$101.00	
40785	1976	<b>SPEAKER HARNESS</b> Wagon, With Stereo, Radio To Rear Speakers	\$52.00	
40782	1976	<b>SPEAKER HARNESS</b> Single Rear Speaker, Except Wagon, Radio To Speaker	\$33.00	
40783	1976	<b>SPEAKER HARNESS</b> Wagon, Single Rear Speaker, Radio To Speaker	\$52.00	
40784	1977	<b>SPEAKER HARNESS</b> AM/FM Stereo, Without Digital Clock, Rear Seat Speakers, Except Wagons, Radio To Speakers	\$101.00	
40785	1977	<b>SPEAKER HARNESS</b> Wagon, AM/FM Stereo, Without Digital Clock, Radio To Rear Speakers	\$52.00	
40862	1977	<b>SPEAKER HARNESS</b> AM/FM Stereo, With Digital Clock, Except Wagons, Radio To Rear Speakers	\$53.00	
40864	1977	<b>SPEAKER HARNESS</b> Wagon, AM/FM Stereo, With Digital Clock, Radio To Rear Seat Speakers	\$53.00	
40782	1977	<b>SPEAKER HARNESS</b> Single Rear Speaker, Except Wagon, Radio To Speaker	\$33.00	
40783	1977	<b>SPEAKER HARNESS</b> Wagon, Single Rear Speaker, Radio To Speaker	\$52.00	

Part Number	Year	Description	Price	*Rev.
<b>SPEAKER JUMPER WIRE</b>				
40200	1967	<b>SPEAKER JUMPER WIRE</b> With Dual Rear Speakers, Except Wagon & Convertible, Connects Right Rear Speaker To Left Rear Speaker	\$34.00	
40200	1968	<b>SPEAKER JUMPER WIRE</b> With Dual Rear Speakers, Except Wagon & Convertible, Connects Right Rear Speaker To Left Rear Speaker	\$34.00	
13555	1969	<b>SPEAKER JUMPER WIRE</b> Rear Seat Speaker Jumper (14" Long) Note: From Radio Connector At Radio To Rear Seat Speaker Wire.	\$27.00	
40200	1969	<b>SPEAKER JUMPER WIRE</b> With Dual Rear Speakers, Except Wagon & Convertible, Connects Right Rear Speaker To Left Rear Speaker	\$34.00	
13555	1970	<b>SPEAKER JUMPER WIRE</b> Rear Seat Speaker Jumper (14" Long) Note: From Radio Connector At Radio To Rear Seat Speaker Wire.	\$27.00	
40200	1970	<b>SPEAKER JUMPER WIRE</b> With Dual Rear Speakers, Except Wagon & Convertible, Connects Right Rear Speaker To Left Rear Speaker	\$34.00	
13555	1971	<b>SPEAKER JUMPER WIRE</b> Rear Seat Speaker Jumper (14" Long) Note: From Radio Connector At Radio To Rear Seat Speaker Wire.	\$27.00	
40200	1971	<b>SPEAKER JUMPER WIRE</b> With Dual Rear Speakers, Except Wagon & Convertible, Connects Right Rear Speaker To Left Rear Speaker	\$34.00	
13555	1972	<b>SPEAKER JUMPER WIRE</b> Rear Seat Speaker Jumper (14" Long) Note: From Radio Connector At Radio To Rear Seat Speaker Wire.	\$27.00	
<b>SPEED WARNING HARNESS</b>				
06130	1965	<b>SPEED WARNING HARNESS</b>	\$34.00	
09610	1966	<b>SPEED WARNING HARNESS</b>	\$34.00	
09610	1967	<b>SPEED WARNING HARNESS</b>	\$34.00	
11595	1968	<b>SPEED WARNING HARNESS</b>	\$34.00	
13385	1969	<b>SPEED WARNING HARNESS</b>	\$34.00	
15655	1970	<b>SPEED WARNING HARNESS</b>	\$34.00	
15655	1971	<b>SPEED WARNING HARNESS</b>	\$34.00	
<b>STARTER MOTOR TO JUNCTION BLOCK HARNESS</b>				
40457	1961	<b>STARTER MOTOR TO JUNCTION BLOCK HARNESS</b> V/8	\$34.00	
40457	1962	<b>STARTER MOTOR TO JUNCTION BLOCK HARNESS</b> V/8	\$34.00	
40479	1963	<b>STARTER MOTOR TO JUNCTION BLOCK HARNESS</b> 421 V/8, Junction Block To Starter	\$48.00	
<b>STEERING COLUMN ADAPTER HARNESS</b>				
37542	1964	<b>STEERING COLUMN ADAPTER HARNESS</b> For 1969-1974 GM & Ididit Columns (Exc. Flaming River) To Stock Dash Harness Note: Adapts Horn & Directionals, Also Adds Hazard Flashers To Stock 8 Pin T/L Dash Connector.	\$50.00	
37009	1964	<b>STEERING COLUMN ADAPTER HARNESS</b> For 1975 & Up GM & Flaming River Columns (Exc. Ididit) To Stock Dash Harness Note: Adapts Horn & Directionals, Also Adds Hazard Flashers To Stock 8 Pin Dash Connector.	\$52.00	
37542	1965	<b>STEERING COLUMN ADAPTER HARNESS</b> For 1969-1974 GM & Ididit Columns (Exc. Flaming River) To Stock Dash Harness Note: Adapts Horn & Directionals, Also Adds Hazard Flashers To Stock 8 Pin T/L Dash Connector.	\$50.00	
37009	1965	<b>STEERING COLUMN ADAPTER HARNESS</b> For 1975 & Up GM & Flaming River Columns (Exc. Ididit) To Stock Dash Harness Note: Adapts Horn & Directionals, Also Adds Hazard Flashers To Stock 8 Pin Dash Connector.	\$52.00	
37542	1966	<b>STEERING COLUMN ADAPTER HARNESS</b> For 1969-1974 GM & Ididit Columns (Exc. Flaming River) To Stock Dash Harness Note: Adapts Horn & Directionals, Also Adds Hazard Flashers To Stock 8 Pin T/L Dash Connector.	\$50.00	
37009	1966	<b>STEERING COLUMN ADAPTER HARNESS</b> For 1975 & Up GM & Flaming River Columns (Exc. Ididit) To Stock Dash Harness Note: Adapts Horn & Directionals, Also Adds Hazard Flashers To Stock 8 Pin Dash Connector.	\$52.00	

Part Number	Year	Description	Price	*Rev.
36882	1967	<b>STEERING COLUMN ADAPTER HARNESS</b> For 1969-1974 GM & Ididit Columns (Exc. Flaming River) To Stock Dash Harness Note: Adapts Horn & Directionals, Also Adds Hazard Flashers To Stock 9-Pin T/L Dash Connector.	\$27.00	
38127	1967	<b>STEERING COLUMN ADAPTER HARNESS</b> For 1975 & Up GM & Flaming River Columns (Exc. Ididit) To Stock Dash Harness Note: Adapts Horn & Directionals, Also Adds Hazard Flashers To Stock 9-Pin T/L Dash Connector.	\$27.00	
36882	1968	<b>STEERING COLUMN ADAPTER HARNESS</b> For 1969-1974 GM & Ididit Columns (Exc. Flaming River) To Stock Dash Harness Note: Adapts Horn & Directionals, Also Adds Hazard Flashers To Stock 9-Pin T/L Dash Connector.	\$27.00	
38127	1968	<b>STEERING COLUMN ADAPTER HARNESS</b> For 1975 & Up GM & Flaming River Columns (Exc. Ididit) To Stock Dash Harness Note: Adapts Horn & Directionals, Also Adds Hazard Flashers To Stock 9-Pin T/L Dash Connector.	\$27.00	
<b>STOP LAMP SWITCH JUMPER HARNESS</b>				
40476	1963	<b>STOP LAMP SWITCH JUMPER HARNESS</b> Air Conditioned Cars Only	\$21.00	
<b>SUN ROOF HARNESS</b>				
40723	1973	<b>SUN ROOF HARNESS</b> All, 2 Door, With Power Windows	\$67.00	
40725	1973	<b>SUN ROOF HARNESS</b> All, 2 Door, Without Power Windows	\$67.00	
40723	1974	<b>SUN ROOF HARNESS</b> All, 2 Door, With Power Windows	\$67.00	
40419	1975	<b>SUN ROOF HARNESS</b> All, 2 Door, Without Power Windows	\$101.00	
40420	1975	<b>SUN ROOF HARNESS</b> All, 2 Door, With Power Windows	\$106.00	
40439	1976	<b>SUN ROOF HARNESS</b> All, 2 Door, Without Power Windows	\$101.00	
40440	1976	<b>SUN ROOF HARNESS</b> All, 2 Door, With Power Windows	\$106.00	
40439	1977	<b>SUN ROOF HARNESS</b> All, 2 Door, Without Power Windows	\$101.00	
40440	1977	<b>SUN ROOF HARNESS</b> All, 2 Door, With Power Windows	\$106.00	
<b>TACHOMETER HARNESS</b>				
04240	1963	<b>TACHOMETER HARNESS</b> Dash Mounted	\$60.00	
41117	1963	<b>TACHOMETER HARNESS-HEI</b> Dash Mounted, "Modified For HEI Distributor" Note: Not All Tachometers Will Operate Or Indicate Correctly When Used On An HEI Ignition System. While Some Original And Reproduction Tachometers May Give A Reading, This Does Not Necessarily Mean The Reading Is Correct.	\$60.00	
04440	1964	<b>TACHOMETER HARNESS</b> Without Transistor Ignition	\$60.00	
41118	1964	<b>TACHOMETER HARNESS-HEI</b> Without Transistor Ignition, "Modified For HEI Distributor" Note: Not All Tachometers Will Operate Or Indicate Correctly When Used On An HEI Ignition System. While Some Original And Reproduction Tachometers May Give A Reading, This Does Not Necessarily Mean The Reading Is Correct.	\$60.00	
05115	1964	<b>TACHOMETER HARNESS</b> With Transistor Ignition	\$74.00	
05115	1965	<b>TACHOMETER HARNESS</b> With Transistor Ignition	\$74.00	
09535	1966	<b>TACHOMETER HARNESS</b> 6 Cylinder Note: 6 Cylinder Items Are Not Returnable.	\$41.00	
11095	1966	<b>TACHOMETER HARNESS</b> V/8	\$34.00	
41119	1966	<b>TACHOMETER HARNESS-HEI</b> V/8, "Modified For HEI Distributor" Note: Not All Tachometers Will Operate Or Indicate Correctly When Used On An HEI Ignition System. While Some Original And Reproduction Tachometers May Give A Reading, This Does Not Necessarily Mean The Reading Is Correct.	\$34.00	
11100	1967	<b>TACHOMETER HARNESS</b> 6 Cylinder, Dash Mounted Note: 6 Cylinder Items Are Not Returnable.	\$41.00	
11095	1967	<b>TACHOMETER HARNESS</b> V/8, Dash Mounted	\$34.00	
41119	1967	<b>TACHOMETER HARNESS-HEI</b> V/8, Dash Mounted, "Modified For HEI Distributor" Note: Not All Tachometers Will Operate Or Indicate Correctly When Used On An HEI Ignition System. While Some Original And Reproduction Tachometers May Give A Reading, This Does Not Necessarily Mean The Reading Is Correct.	\$34.00	
11005	1967	<b>TACHOMETER HARNESS</b> With Transistor Ignition, Dash Mounted	\$41.00	
11040	1967	<b>TACHOMETER HARNESS</b> Hood Mounted	\$52.00	

Part Number	Year	Description	Price	*Rev.
41120	1967	<b>TACHOMETER HARNESS-HEI</b> Hood Mounted, "Modified For HEI Distributor" Note: Not All Tachometers Will Operate Or Indicate Correctly When Used On An HEI Ignition System. While Some Original And Reproduction Tachometers May Give A Reading, This Does Not Necessarily Mean The Reading Is Correct.	\$52.00	
12380	1968	<b>TACHOMETER HARNESS</b> Dash Mounted	\$33.00	
41121	1968	<b>TACHOMETER HARNESS-HEI</b> Dash Mounted, "Modified For HEI Distributor" Note: Not All Tachometers Will Operate Or Indicate Correctly When Used On An HEI Ignition System. While Some Original And Reproduction Tachometers May Give A Reading, This Does Not Necessarily Mean The Reading Is Correct.	\$33.00	
12375	1968	<b>TACHOMETER HARNESS</b> Hood Mounted	\$52.00	
41122	1968	<b>TACHOMETER HARNESS-HEI</b> Hood Mounted, "Modified For HEI Distributor" Note: Not All Tachometers Will Operate Or Indicate Correctly When Used On An HEI Ignition System. While Some Original And Reproduction Tachometers May Give A Reading, This Does Not Necessarily Mean The Reading Is Correct.	\$52.00	
40514	1969	<b>TACHOMETER HARNESS</b> Hood Mounted	\$52.00	
41123	1969	<b>TACHOMETER HARNESS-HEI</b> Hood Mounted, "Modified For HEI Distributor" Note: Not All Tachometers Will Operate Or Indicate Correctly When Used On An HEI Ignition System. While Some Original And Reproduction Tachometers May Give A Reading, This Does Not Necessarily Mean The Reading Is Correct.	\$52.00	
12380	1969	<b>TACHOMETER HARNESS</b> Dash Mounted	\$33.00	
41121	1969	<b>TACHOMETER HARNESS-HEI</b> Dash Mounted, "Modified For HEI Distributor" Note: Not All Tachometers Will Operate Or Indicate Correctly When Used On An HEI Ignition System. While Some Original And Reproduction Tachometers May Give A Reading, This Does Not Necessarily Mean The Reading Is Correct.	\$33.00	
15645	1970	<b>TACHOMETER HARNESS</b> Dash Mounted	\$33.00	
41124	1970	<b>TACHOMETER HARNESS-HEI</b> Dash Mounted, "Modified For HEI Distributor" Note: Not All Tachometers Will Operate Or Indicate Correctly When Used On An HEI Ignition System. While Some Original And Reproduction Tachometers May Give A Reading, This Does Not Necessarily Mean The Reading Is Correct.	\$33.00	
17250	1970	<b>TACHOMETER HARNESS</b> Hood Mounted	\$52.00	
41125	1970	<b>TACHOMETER HARNESS-HEI</b> Hood Mounted, "Modified For HEI Distributor" Note: Not All Tachometers Will Operate Or Indicate Correctly When Used On An HEI Ignition System. While Some Original And Reproduction Tachometers May Give A Reading, This Does Not Necessarily Mean The Reading Is Correct.	\$52.00	
15645	1971	<b>TACHOMETER HARNESS</b> Dash Mounted	\$33.00	
41124	1971	<b>TACHOMETER HARNESS-HEI</b> Dash Mounted, "Modified For HEI Distributor" Note: Not All Tachometers Will Operate Or Indicate Correctly When Used On An HEI Ignition System. While Some Original And Reproduction Tachometers May Give A Reading, This Does Not Necessarily Mean The Reading Is Correct.	\$33.00	
17250	1971	<b>TACHOMETER HARNESS</b> Hood Mounted	\$52.00	
41125	1971	<b>TACHOMETER HARNESS-HEI</b> Hood Mounted, "Modified For HEI Distributor" Note: Not All Tachometers Will Operate Or Indicate Correctly When Used On An HEI Ignition System. While Some Original And Reproduction Tachometers May Give A Reading, This Does Not Necessarily Mean The Reading Is Correct.	\$52.00	
16885	1972	<b>TACHOMETER HARNESS</b> Dash Mounted	\$48.00	
41126	1972	<b>TACHOMETER HARNESS-HEI</b> Dash Mounted, "Modified For HEI Distributor" Note: Not All Tachometers Will Operate Or Indicate Correctly When Used On An HEI Ignition System. While Some Original And Reproduction Tachometers May Give A Reading, This Does Not Necessarily Mean The Reading Is Correct.	\$48.00	
16890	1972	<b>TACHOMETER HARNESS</b> Dash Mounted, With Unitized Distributor	\$48.00	
17250	1972	<b>TACHOMETER HARNESS</b> Hood Mounted	\$52.00	
41125	1972	<b>TACHOMETER HARNESS-HEI</b> Hood Mounted, "Modified For HEI Distributor" Note: Not All Tachometers Will Operate Or Indicate Correctly When Used On An HEI Ignition System. While Some Original And Reproduction Tachometers May Give A Reading, This Does Not Necessarily Mean The Reading Is Correct.	\$52.00	
40627	1973	<b>TACHOMETER HARNESS</b> Without Cruise Control & Unitized Distributor	\$52.00	
41127	1973	<b>TACHOMETER HARNESS-HEI</b> Without Cruise Control & Unitized Distributor, "Modified For HEI Distributor" Note: Not All Tachometers Will Operate Or Indicate Correctly When Used On An HEI Ignition System. While Some Original And Reproduction Tachometers May Give A Reading, This Does Not Necessarily Mean The Reading Is Correct.	\$52.00	
40628	1973	<b>TACHOMETER HARNESS</b> With Unitized Distributor, Without Cruise Control	\$52.00	
40674	1974	<b>TACHOMETER HARNESS</b> Without Unitized Distributor	\$52.00	

Part Number	Year	Description	Price	*Rev.
41128	1974	<b>TACHOMETER HARNESS-HEI</b> Without Unitized Distributor, "Modified For HEI Distributor" Note: Not All Tachometers Will Operate Or Indicate Correctly When Used On An HEI Ignition System. While Some Original And Reproduction Tachometers May Give A Reading, This Does Not Necessarily Mean The Reading Is Correct.	\$52.00	
40680	1974	<b>TACHOMETER HARNESS</b> With Unitized Distributor, Except Cruise Control	\$52.00	
40680	1975	<b>TACHOMETER HARNESS</b>	\$52.00	
40680	1976	<b>TACHOMETER HARNESS</b>	\$52.00	
40680	1977	<b>TACHOMETER HARNESS</b>	\$52.00	
<b>TAILGATE AJAR WARNING LAMP HARNESS</b>				
40625	1973	<b>TAILGATE AJAR WARNING LAMP HARNESS</b> Wagon, Fuse Block To Dash	\$34.00	
40625	1974	<b>TAILGATE AJAR WARNING LAMP HARNESS</b> Wagon, Fuse Block To Dash	\$34.00	
40625	1975	<b>TAILGATE AJAR WARNING LAMP HARNESS</b> Wagon, Fuse Block To Dash	\$34.00	
40625	1976	<b>TAILGATE AJAR WARNING LAMP HARNESS</b> Wagon, Fuse Block To Dash	\$34.00	
<b>TAILGATE ELECTRIC RELEASE HARNESS</b>				
40621	1973	<b>TAILGATE ELECTRIC RELEASE HARNESS</b> Tailgate Feed To Tailgate UNlock Switch	\$34.00	
40621	1974	<b>TAILGATE ELECTRIC RELEASE HARNESS</b> Tailgate Feed To Tailgate UNlock Switch	\$34.00	
40621	1975	<b>TAILGATE ELECTRIC RELEASE HARNESS</b> Tailgate Feed To Tailgate UNlock Switch	\$34.00	
40621	1976	<b>TAILGATE ELECTRIC RELEASE HARNESS</b> Tailgate Feed To Tailgate UNlock Switch	\$34.00	
40621	1977	<b>TAILGATE ELECTRIC RELEASE HARNESS</b> Tailgate Feed To Tailgate UNlock Switch	\$34.00	
<b>TAILGATE WARNING LAMP HARNESS</b>				
40696	1973	<b>TAILGATE WARNING LAMP HARNESS</b> Wagon, Front Section, Without Electric Tailgate Release Or Rear Window Defroster	\$48.00	
40697	1973	<b>TAILGATE WARNING LAMP HARNESS</b> Wagon, Rear Section, Without Electric Tailgate Release Or Rear Window Defroster Note: Customer Must Supply Their Original Rubber Boot.	\$48.00	
40699	1973	<b>TAILGATE WARNING LAMP HARNESS</b> Wagon, Front Section, With Electric Tailgate Release	\$48.00	
40700	1973	<b>TAILGATE WARNING LAMP HARNESS</b> Wagon, Rear Section, With Electric Tailgate Release Or Rear Window Defroster Note: Customer Must Supply Their Original Rubber Boot.	\$48.00	
40709	1973	<b>TAILGATE WARNING LAMP HARNESS</b> Wagon, Front Section, With Rear Window Defroster	\$48.00	
40710	1973	<b>TAILGATE WARNING LAMP HARNESS</b> Wagon, Front Section, With Rear Window Defroster & Electric Tailgate Release	\$48.00	
40711	1973	<b>TAILGATE WARNING LAMP HARNESS</b> Wagon, Rear Section, With Rear Window Defroster & Electric Tailgate Release Note: Customer Must Supply Their Original Rubber Boot.	\$48.00	
40696	1974	<b>TAILGATE WARNING LAMP HARNESS</b> Wagon, Front Section, Without Electric Tailgate Release Or Rear Window Defroster	\$48.00	
40697	1974	<b>TAILGATE WARNING LAMP HARNESS</b> Wagon, Rear Section, Without Electric Tailgate Release Or Rear Window Defroster Note: Customer Must Supply Their Original Rubber Boot.	\$48.00	
40700	1974	<b>TAILGATE WARNING LAMP HARNESS</b> Wagon, Rear Section, With Electric Tailgate Release Or Rear Window Defroster Note: Customer Must Supply Their Original Rubber Boot.	\$48.00	
40709	1974	<b>TAILGATE WARNING LAMP HARNESS</b> Wagon, Front Section, With Blower Type Rear Window Defroster	\$48.00	
40710	1974	<b>TAILGATE WARNING LAMP HARNESS</b> Wagon, Front Section, With Blower Type Rear Window Defroster & Electric Tailgate Release	\$48.00	
40711	1974	<b>TAILGATE WARNING LAMP HARNESS</b> Wagon, Rear Section, With Blower Type Rear Window Defroster & Electric Tailgate Release Note: Customer Must Supply Their Original Rubber Boot.	\$48.00	
40736	1974	<b>TAILGATE WARNING LAMP HARNESS</b> Wagon, Rear Section, With Electric Type Rear Window Defroster, Without Electric Tailgate Release Note: Customer Must Supply Their Original Rubber Boot.	\$48.00	

Part Number	Year	Description	Price	*Rev.
40737	1974	<b>TAILGATE WARNING LAMP HARNESS</b> Wagon, Rear Section, With Electric Type Rear Window Defroster & Electric Tailgate Release Note: Customer Must Supply Their Original Rubber Boot.	\$48.00	
40699	1974	<b>TAILGATE WARNING LAMP HARNESS</b> Wagon, Front Section, With Electric Tailgate Release	\$48.00	
40696	1975	<b>TAILGATE WARNING LAMP HARNESS</b> Wagon, Front Section, Without Electric Tailgate Release Or Rear Window Defroster	\$48.00	
40699	1975	<b>TAILGATE WARNING LAMP HARNESS</b> Wagon, Front Section, With Electric Tailgate Release	\$48.00	
40710	1975	<b>TAILGATE WARNING LAMP HARNESS</b> Wagon, Front Section, With Blower Type Rear Window Defroster & Electric Tailgate Release	\$48.00	
40697	1975	<b>TAILGATE WARNING LAMP HARNESS</b> Wagon, Rear Section, Without Electric Tailgate Release Or Rear Window Defroster Note: Customer Must Supply Their Original Rubber Boot.	\$48.00	
40700	1975	<b>TAILGATE WARNING LAMP HARNESS</b> Wagon, Rear Section, With Electric Tailgate Release Or Rear Window Defroster Note: Customer Must Supply Their Original Rubber Boot.	\$48.00	
40711	1975	<b>TAILGATE WARNING LAMP HARNESS</b> Wagon, Rear Section, With Blower Type Rear Window Defroster & Electric Tailgate Release Note: Customer Must Supply Their Original Rubber Boot.	\$48.00	
40736	1975	<b>TAILGATE WARNING LAMP HARNESS</b> Wagon, Rear Section, With Electric Type Rear Window Defroster, Without Electric Tailgate Release Note: Customer Must Supply Their Original Rubber Boot.	\$48.00	
40737	1975	<b>TAILGATE WARNING LAMP HARNESS</b> Wagon, Rear Section, With Electric Type Rear Window Defroster & Electric Tailgate Release Note: Customer Must Supply Their Original Rubber Boot.	\$48.00	
40430	1976	<b>TAILGATE WARNING LAMP HARNESS</b> Wagon, Front Section, Without Electric Tailgate Release	\$48.00	
40432	1976	<b>TAILGATE WARNING LAMP HARNESS</b> Wagon, Front Section, With Electric Tailgate Release	\$48.00	
40434	1976	<b>TAILGATE WARNING LAMP HARNESS</b> Wagon, Front Section, With Blower Type Rear Window Defroster & Electric Tailgate Release	\$60.00	
40431	1976	<b>TAILGATE WARNING LAMP HARNESS</b> Wagon, Rear Section, Without Electric Tailgate Release Or Rear Window Defroster Note: Customer Must Supply Their Original Rubber Boot & The Plastic Connector That Attaches This Harness To The Front Harness.	\$60.00	
40433	1976	<b>TAILGATE WARNING LAMP HARNESS</b> Wagon, Rear Section, With Electric Tailgate Release Note: Customer Must Supply Their Original Rubber Boot.	\$60.00	
40435	1976	<b>TAILGATE WARNING LAMP HARNESS</b> Wagon, Rear Section, With Blower Type Rear Window Defroster & Electric Tailgate Release Note: Customer Must Supply Their Original Rubber Boot.	\$67.00	
40436	1976	<b>TAILGATE WARNING LAMP HARNESS</b> Wagon, Rear Section, With Electric Type Rear Window Defroster, Without Electric Tailgate Release Note: Customer Must Supply Their Original Rubber Boot.	\$60.00	
40437	1976	<b>TAILGATE WARNING LAMP HARNESS</b> Wagon, Rear Section, With Electric Type Rear Window Defroster & Electric Tailgate Release Note: Customer Must Supply Their Original Rubber Boot.	\$67.00	
40430	1977	<b>TAILGATE WARNING LAMP HARNESS</b> Wagon, Front Section, Without Electric Tailgate Release	\$48.00	
40432	1977	<b>TAILGATE WARNING LAMP HARNESS</b> Wagon, Front Section, With Electric Tailgate Release	\$48.00	
40434	1977	<b>TAILGATE WARNING LAMP HARNESS</b> Wagon, Front Section, With Blower Type Rear Window Defroster & Electric Tailgate Release	\$60.00	
40431	1977	<b>TAILGATE WARNING LAMP HARNESS</b> Wagon, Rear Section, Without Electric Tailgate Release Or Rear Window Defroster Note: Customer Must Supply Their Original Rubber Boot & The Plastic Connector That Attaches This Harness To The Front Harness.	\$60.00	
40433	1977	<b>TAILGATE WARNING LAMP HARNESS</b> Wagon, Rear Section, With Electric Tailgate Release Note: Customer Must Supply Their Original Rubber Boot.	\$60.00	



Part Number	Year	Description	Price	*Rev.
40435	1977	<b>TAILGATE WARNING LAMP HARNESS</b> Wagon, Rear Section, With Blower Type Rear Window Defroster & Electric Tailgate Release Note: Customer Must Supply Their Original Rubber Boot.	\$67.00	
40436	1977	<b>TAILGATE WARNING LAMP HARNESS</b> Wagon, Rear Section, With Electric Type Rear Window Defroster, Without Electric Tailgate Release Note: Customer Must Supply Their Original Rubber Boot.	\$60.00	
40437	1977	<b>TAILGATE WARNING LAMP HARNESS</b> Wagon, Rear Section, With Electric Type Rear Window Defroster & Electric Tailgate Release Note: Customer Must Supply Their Original Rubber Boot.	\$67.00	
<b>TCS JUMPER HARNESS</b>				
16005	1971	<b>TCS JUMPER HARNESS</b> 6 Cyl. 250 C.I., With A/T, From Engine Harness To Trans Switch Note: 6 Cylinder Items Are Not Returnable.	\$35.00	
16020	1971	<b>TCS JUMPER HARNESS</b> 6 Cyl. 250 C.I., With H/T, From Engine Harness To Trans Switch Note: 6 Cylinder Items Are Not Returnable.	\$35.00	
36232	1972	<b>TCS JUMPER HARNESS</b> 6 Cyl. 250 C.I., With A/T Or H/T, From Engine Harness To Trans Switch Note: 6 Cylinder Items Are Not Returnable.	\$36.00	
<b>TCS TRANSMISSION SWITCH EXTENSION</b>				
17355	1972	<b>TCS TRANSMISSION SWITCH EXTENSION</b> Ventura, Manual Trans, From Engine Harness To Trans Switch Note: Used With #16375, #16380 & #16385 Engine Harness. (T.C.S.) Stands For Transmission Controlled Spark.	\$49.00	
<b>TEMPERATURE SENDER JUMPER</b>				
11120	1967	<b>TEMPERATURE SENDER JUMPER</b> 6 Cylinder, With A/C, Engine Harness To Temperature Switch Note: 6 Cylinder Items Are Not Returnable.	\$17.00	
11120	1968	<b>TEMPERATURE SENDER JUMPER</b> 6 Cylinder, With A/C, Engine Harness To Temperature Switch Note: 6 Cylinder Items Are Not Returnable.	\$17.00	
11120	1969	<b>TEMPERATURE SENDER JUMPER</b> 6 Cylinder, With A/C, Engine Harness To Temperature Switch Note: 6 Cylinder Items Are Not Returnable.	\$17.00	
<b>TILT COLUMN ADAPTER HARNESS</b>				
04430	1964	<b>TILT COLUMN ADAPTER HARNESS</b> Turn Signal Switch Adapter	\$50.00	
04430	1965	<b>TILT COLUMN ADAPTER HARNESS</b> Turn Signal Switch Adapter	\$50.00	
10100	1966	<b>TILT COLUMN ADAPTER HARNESS</b> Turn Signal Switch Adapter	\$48.00	
<b>TRANSISTOR IGNITION HARNESS</b>				
33225	1964	<b>TRANSISTOR IGNITION AMPLIFIER EXTENSION</b> From Internal Circuit Board To Amplifier Housing Connector	\$53.00	
28380	1964	<b>TRANSISTOR IGNITION EXTENSION HARNESS</b> From Amplifier Box To Main T.I. Harness	\$74.00	
26855	1964	<b>TRANSISTOR IGNITION HARNESS</b> Main Harness, From Distributor To Ignition Switch	\$153.00	
27260	1965	<b>TRANSISTOR IGNITION HARNESS</b> Main Harness, From Distributor To Ignition Switch	\$153.00	
41129	1965	<b>TRANSISTOR IGNITION AMPLIFIER EXTENSION</b> From Internal Circuit Board To Inline Transistor Ignition Harness Connector	\$66.00	
40498	1966	<b>TRANSISTOR IGNITION HARNESS</b> 6 Cylinder, Main Harness, From Distributor To Ignition Switch Note: 6 Cylinder Items Are Not Returnable.	\$153.00	
28375	1966	<b>TRANSISTOR IGNITION HARNESS</b> V/8, Main Harness, From Distributor To Ignition Switch	\$145.00	
41129	1966	<b>TRANSISTOR IGNITION AMPLIFIER EXTENSION</b> From Internal Circuit Board To Inline Transistor Ignition Harness Connector	\$66.00	
40591	1970	<b>TRANSISTOR IGNITION HARNESS</b> (Field Installed), Main Harness, From Distributor To Ignition Switch	\$153.00	
<b>TRANSISTOR IGNITION REPLACEMENT MODULE</b>				
32270	1964	<b>TRANSISTOR IGNITION REPLACEMENT MODULE</b> Replaces Original Circuit Board In Amplifier	\$189.00	
32270	1965	<b>TRANSISTOR IGNITION REPLACEMENT MODULE</b> Replaces Original Circuit Board In Amplifier	\$189.00	
32270	1966	<b>TRANSISTOR IGNITION REPLACEMENT MODULE</b> Replaces Original Circuit Board In Amplifier	\$189.00	

Part Number	Year	Description	Price	*Rev.
<b>TRUNK LAMP EXTENSION HARNESS</b>				
31255	1964	TRUNK LAMP EXTENSION HARNESS	\$26.00	
31255	1965	TRUNK LAMP EXTENSION HARNESS	\$26.00	
31255	1966	TRUNK LAMP EXTENSION HARNESS	\$26.00	
31255	1967	TRUNK LAMP EXTENSION HARNESS	\$26.00	
31255	1968	TRUNK LAMP EXTENSION HARNESS	\$26.00	
13435	1969	TRUNK LAMP EXTENSION HARNESS Convertible	\$14.00	
13440	1969	TRUNK LAMP EXTENSION HARNESS Coupe	\$26.00	
28210	1971	TRUNK LAMP EXTENSION HARNESS Ventura	\$15.00	
28210	1972	TRUNK LAMP EXTENSION HARNESS Ventura	\$15.00	
28210	1973	TRUNK LAMP EXTENSION HARNESS Ventura	\$15.00	
28210	1974	TRUNK LAMP EXTENSION HARNESS Ventura	\$15.00	
<b>TRUNK RELEASE HARNESS</b>				
08295	1967	TRUNK RELEASE HARNESS Solenoid To Dash Switch	\$30.00	
40350	1967	TRUNK RELEASE HARNESS Clock Power Lead To Dash Switch	\$35.00	
08295	1968	TRUNK RELEASE HARNESS Solenoid To Dash Switch	\$30.00	
40350	1968	TRUNK RELEASE HARNESS Clock Power Lead To Dash Switch	\$35.00	
40350	1969	TRUNK RELEASE HARNESS Clock Power Lead To Dash Switch	\$35.00	
39705	1969	TRUNK RELEASE HARNESS Solenoid To Dash Switch	\$32.00	
40350	1970	TRUNK RELEASE HARNESS Clock Power Lead To Dash Switch	\$35.00	
40347	1970	TRUNK RELEASE HARNESS Solenoid To Dash Switch	\$35.00	
40745	1970	TRUNK RELEASE HARNESS Solenoid To Dash Switch, (Field Installed)	\$35.00	
40350	1971	TRUNK RELEASE HARNESS Clock Power Lead To Dash Switch	\$35.00	
40347	1971	TRUNK RELEASE HARNESS Solenoid To Dash Switch	\$35.00	
40745	1971	TRUNK RELEASE HARNESS Solenoid To Dash Switch, (Field Installed)	\$35.00	
40350	1972	TRUNK RELEASE HARNESS Clock Power Lead To Dash Switch	\$35.00	
40347	1972	TRUNK RELEASE HARNESS Solenoid To Dash Switch	\$35.00	
40639	1973	TRUNK RELEASE HARNESS Used With Dealer Installed Trunk Release, Fuse Box To Dash Switch	\$27.00	
40619	1973	TRUNK RELEASE HARNESS Without Glove Box Lamp, Dash Harness To Switch	\$27.00	
40777	1973	TRUNK RELEASE HARNESS Electric	\$48.00	
40639	1974	TRUNK RELEASE HARNESS Used With Dealer Installed Trunk Release, Fuse Box To Dash Switch	\$27.00	
40619	1974	TRUNK RELEASE HARNESS Without Glove Box Lamp, Dash Harness To Switch	\$27.00	
40777	1974	TRUNK RELEASE HARNESS Electric	\$48.00	
40639	1975	TRUNK RELEASE HARNESS Used With Dealer Installed Trunk Release, Fuse Box To Dash Switch	\$27.00	
40619	1975	TRUNK RELEASE HARNESS Without Glove Box Lamp, Dash Harness To Switch	\$27.00	
40777	1975	TRUNK RELEASE HARNESS Electric	\$48.00	
40619	1976	TRUNK RELEASE HARNESS Without Glove Box Lamp, Dash Harness To Switch	\$27.00	
40777	1976	TRUNK RELEASE HARNESS Electric	\$48.00	
40777	1977	TRUNK RELEASE HARNESS Electric	\$48.00	
40619	1977	TRUNK RELEASE HARNESS Without Glove Box Lamp, Dash Harness To Switch	\$27.00	
<b>TURN SIGNAL SWITCH</b>				
00383033	1964	TURN SIGNAL SWITCH Without Tilt	\$138.00	

Note: Includes Light Socket For Column Shift Automatic Trans, Customer To Discard If Not Needed.

Part Number	Year	Description	Price	*Rev.
01993624	1964	<b>TURN SIGNAL SWITCH</b> With Tilt, Replaces Delco Part# D6220	\$71.00	
00387126	1965	<b>TURN SIGNAL SWITCH</b> Column Shift, Auto Trans, (Boyne), Without Tilt, Replaces Delco Part# D6201	\$96.00	
00387115	1965	<b>TURN SIGNAL SWITCH</b> Console Shift, Auto Trans, (Boyne), Without Tilt, Replaces Delco Part# D6200 Note: This Switch Has A Metal Base.	\$96.00	
00387115	1965	<b>TURN SIGNAL SWITCH</b> Manual Trans, (Boyne), Without Tilt, Replaces Delco Part# D6200 Note: This Switch Has A Metal Base.	\$96.00	
01993624	1965	<b>TURN SIGNAL SWITCH</b> With Tilt, Replaces Delco Part# D6220	\$71.00	
00387126	1966	<b>TURN SIGNAL SWITCH</b> Column Shift, Auto Trans, (Boyne), Without Tilt, Replaces Delco Part# D6201	\$96.00	
00387115	1966	<b>TURN SIGNAL SWITCH</b> Console Shift, Auto Trans, (Boyne), Without Tilt, Replaces Delco Part# D6200 Note: This Switch Has A Metal Base.	\$96.00	
00387115	1966	<b>TURN SIGNAL SWITCH</b> Manual Trans, (Boyne), Without Tilt, Replaces Delco Part# D6200 Note: This Switch Has A Metal Base.	\$96.00	
01993624	1966	<b>TURN SIGNAL SWITCH</b> With Tilt, Replaces Delco Part# D6220	\$71.00	
07800482	1967	<b>TURN SIGNAL SWITCH</b> Without Column Shift A/T, Without Tilt, Without Cornering Lights, (Delco Type, Black, White Or Green) Note: Emergency Flasher Actuator Hole In Outer Cover Is Shaped Like A Doghouse.	\$50.00	
07800482	1967	<b>TURN SIGNAL SWITCH</b> Without Column Shift A/T, With Tilt, Without Cornering Lights, (Delco Type, Black, White Or Green) Note: Emergency Flasher Actuator Hole In Outer Cover Is Shaped Like A Doghouse.	\$50.00	
05698897	1967	<b>TURN SIGNAL SWITCH</b> With Column Shift A/T, Without Tilt, Without Cornering Lamps (Delco Type, Black, White Or Green) Note: Emergency Flasher Actuator Hole In Outer Cover Is Shaped Like A Doghouse.	\$50.00	
05698897	1967	<b>TURN SIGNAL SWITCH</b> With Column Shift A/T, With Tilt, Without Cornering Lamps (Delco Type, Black, White Or Green) Note: Emergency Flasher Actuator Hole In Outer Cover Is Shaped Like A Doghouse.	\$50.00	
07800482	1967	<b>TURN SIGNAL SWITCH</b> With Column Shift 3 Speed MT (Delco Type, White) Note: Emergency Flasher Actuator Hole In Outer Cover Is Shaped Like A Doghouse.	\$50.00	
01893592	1967	<b>TURN SIGNAL SWITCH</b> Col. Shift, MT, Without Cornering Lights (Delco-White), Replaces Delco Part# D6211 Note: This Is A Service Part, Adapter Pigtail Included And Is Required For Some Applications.	\$58.00	
07800482	1967	<b>TURN SIGNAL SWITCH</b> With Floor Shift (Delco Type, White) Note: Emergency Flasher Actuator Hole In Outer Cover Is Shaped Like A Doghouse.	\$50.00	
01893592	1967	<b>TURN SIGNAL SWITCH</b> Floor Shift, Without Cornering Lights (Delco-White), Replaces Delco Part# D6211 Note: This Is A Service Part, Adapter Pigtail Included And Is Required For Some Applications.	\$58.00	
07800482	1968	<b>TURN SIGNAL SWITCH</b> Without Column Shift A/T, Without Tilt, Without Cornering Lights, (Delco Type, Black, White Or Green) Note: Emergency Flasher Actuator Hole In Outer Cover Is Shaped Like A Doghouse.	\$50.00	
07800482	1968	<b>TURN SIGNAL SWITCH</b> Without Column Shift A/T, With Tilt, Without Cornering Lights, (Delco Type, Black, White Or Green) Note: Emergency Flasher Actuator Hole In Outer Cover Is Shaped Like A Doghouse.	\$50.00	
05698897	1968	<b>TURN SIGNAL SWITCH</b> With Column Shift A/T, Without Tilt, Without Cornering Lamps (Delco Type, Black, White Or Green) Note: Emergency Flasher Actuator Hole In Outer Cover Is Shaped Like A Doghouse.	\$50.00	
05698897	1968	<b>TURN SIGNAL SWITCH</b> With Column Shift A/T, With Tilt, Without Cornering Lamps (Delco Type, Black, White Or Green) Note: Emergency Flasher Actuator Hole In Outer Cover Is Shaped Like A Doghouse.	\$50.00	

Part Number	Year	Description	Price	*Rev.
07800482	1968	<b>TURN SIGNAL SWITCH</b> With Column Shift 3 Speed MT (Delco Type, White) Note: Emergency Flasher Actuator Hole In Outer Cover Is Shaped Like A Doghouse.	\$50.00	
01893592	1968	<b>TURN SIGNAL SWITCH</b> Col. Shift, MT, Without Cornering Lights (Delco-White), Replaces Delco Part# D6211 Note: This Is A Service Part, Adapter Pigtail Included And Is Required For Some Applications.	\$58.00	
07800482	1968	<b>TURN SIGNAL SWITCH</b> With Floor Shift (Delco Type, White) Note: Emergency Flasher Actuator Hole In Outer Cover Is Shaped Like A Doghouse.	\$50.00	
01893592	1968	<b>TURN SIGNAL SWITCH</b> Floor Shift, Without Cornering Lights (Delco-White), Replaces Delco Part# D6211 Note: This Is A Service Part, Adapter Pigtail Included And Is Required For Some Applications.	\$58.00	
01997963	1969	<b>TURN SIGNAL SWITCH, CORRECT PART</b> Without Cornering Lights Note: Correct Part, No Adapter Pigtail Required.	\$41.00	
01997963	1970	<b>TURN SIGNAL SWITCH, CORRECT PART</b> Without Cornering Lights, Without Tilt Note: Correct Part, No Adapter Pigtail Required.	\$41.00	
01997963	1971	<b>TURN SIGNAL SWITCH, CORRECT PART</b> Without Cornering Lights Note: Correct Part, No Adapter Pigtail Required.	\$41.00	
01997963	1972	<b>TURN SIGNAL SWITCH, CORRECT PART</b> Without Cornering Lights Note: Correct Part, No Adapter Pigtail Required.	\$41.00	
01997963	1973	<b>TURN SIGNAL SWITCH, CORRECT PART</b> Without Cornering Lights Note: Correct Part, No Adapter Pigtail Required.	\$41.00	
01997963	1974	<b>TURN SIGNAL SWITCH, CORRECT PART</b> Without Cornering Lights Note: Correct Part, No Adapter Pigtail Required.	\$41.00	
01893588	1969	<b>TURN SIGNAL SWITCH, SERVICE PART</b> Without Cornering Lights, Replaces Delco Part# D6208 Note: This Is A Service Part, Adapter Pigtail Included Is Required For Installation.	\$58.00	
01893588	1970	<b>TURN SIGNAL SWITCH, SERVICE PART</b> Without Cornering Lights, Without Tilt, Replaces Delco Part# D6208 Note: This Is A Service Part, Adapter Pigtail Included Is Required For Installation.	\$58.00	
01893588	1971	<b>TURN SIGNAL SWITCH, SERVICE PART</b> Without Cornering Lights, Replaces Delco Part# D6208 Note: This Is A Service Part, Adapter Pigtail Included Is Required For Installation.	\$58.00	
01893588	1972	<b>TURN SIGNAL SWITCH, SERVICE PART</b> Without Cornering Lights, Replaces Delco Part# D6208 Note: This Is A Service Part, Adapter Pigtail Included Is Required For Installation.	\$58.00	
01893588	1973	<b>TURN SIGNAL SWITCH, SERVICE PART</b> Without Cornering Lights, Replaces Delco Part# D6208 Note: This Is A Service Part, Adapter Pigtail Included Is Required For Installation.	\$58.00	
01893588	1974	<b>TURN SIGNAL SWITCH, SERVICE PART</b> Without Cornering Lights, Replaces Delco Part# D6208 Note: This Is A Service Part, Adapter Pigtail Included Is Required For Installation.	\$58.00	
<b>UTILITY LAMP HARNESS</b>				
40579	1971	<b>UTILITY LAMP HARNESS</b> For Use With The Accessory Rechargeable Utility Lamp	\$38.00	
<b>VACUUM GAUGE LAMP HARNESS</b>				
10135	1966	<b>VACUUM GAUGE LAMP HARNESS</b> Console Mounted	\$25.00	
10135	1967	<b>VACUUM GAUGE LAMP HARNESS</b> Console Mounted	\$25.00	
<b>VANITY MIRROR LAMP HARNESS</b>				
40441	1977	<b>VANITY MIRROR LAMP HARNESS</b> All, Passenger Side Sunshade	\$42.00	
<b>WINDSHIELD WIPER MOTOR</b>				
04911476	1964	<b>WINDSHIELD WIPER MOTOR</b> 2-Speed, 3-Terminal Type Motor	\$92.00	N
44609	1964	<b>WINDSHIELD WIPER MOTOR</b> F-85, 2-Speed, 4-Terminal Type Motor Note: This Can Be Used In Place Of The 3-Terminal Motor. The 4th Terminal Is A Keyed Hot From Wiper Fuse In Fuse Box And May Or May Not Be Used In Some Applications.	\$106.00	N
04911476	1965	<b>WINDSHIELD WIPER MOTOR</b> 2-Speed, 3-Terminal Type Motor	\$92.00	N

Part Number	Year	Description	Price	*Rev.
44609	1965	<b>WINDSHIELD WIPER MOTOR</b> F-85, 2-Speed, 4-Terminal Type Motor Note: This Can Be Used In Place Of The 3-Terminal Motor. The 4th Terminal Is A Keyed Hot From Wiper Fuse In Fuse Box And May Or May Not Be Used In Some Applications.	\$106.00	N
04911476	1966	<b>WINDSHIELD WIPER MOTOR</b> 2-Speed, 3-Terminal Type Motor	\$92.00	N
44609	1966	<b>WINDSHIELD WIPER MOTOR</b> F-85, 2-Speed, 4-Terminal Type Motor Note: This Can Be Used In Place Of The 3-Terminal Motor. The 4th Terminal Is A Keyed Hot From Wiper Fuse In Fuse Box And May Or May Not Be Used In Some Applications.	\$106.00	N
04911476	1967	<b>WINDSHIELD WIPER MOTOR</b> 2-Speed, 3-Terminal Type Motor	\$92.00	N
44609	1967	<b>WINDSHIELD WIPER MOTOR</b> F-85, 2-Speed, 4-Terminal Type Motor Note: This Can Be Used In Place Of The 3-Terminal Motor. The 4th Terminal Is A Keyed Hot From Wiper Fuse In Fuse Box And May Or May Not Be Used In Some Applications.	\$106.00	N
<b>WINDSHIELD WIPER SWITCH</b>				
01998719	1961	<b>WINDSHIELD WIPER SWITCH</b> Single Speed, With Washer	\$52.00	
01998719	1962	<b>WINDSHIELD WIPER SWITCH</b> Single Speed, With Washer	\$52.00	
01998719	1963	<b>WINDSHIELD WIPER SWITCH</b> Single Speed, With Washer	\$52.00	
01993541	1964	<b>WINDSHIELD WIPER SWITCH</b> Single Speed, With Washer	\$45.00	
01993584	1964	<b>WINDSHIELD WIPER SWITCH</b> Two Speed, With Washer	\$52.00	
01993541	1965	<b>WINDSHIELD WIPER SWITCH</b> Single Speed, With Washer	\$45.00	
01993584	1965	<b>WINDSHIELD WIPER SWITCH</b> Two Speed, With Washer	\$52.00	
01993584	1966	<b>WINDSHIELD WIPER SWITCH</b> Two Speed, With Washer	\$52.00	
01993372	1967	<b>WINDSHIELD WIPER SWITCH</b> 2 Speed, With Washer	\$45.00	
01993425	1968	<b>WINDSHIELD WIPER SWITCH</b> 2 Speed, With Washer, Without Recess Park	\$52.00	
01993371	1968	<b>WINDSHIELD WIPER SWITCH</b> 2 Speed, With Washer, With Recess Park	\$65.00	
01994150	1972	<b>WINDSHIELD WIPER SWITCH</b> Ventura	\$52.00	
01994150	1973	<b>WINDSHIELD WIPER SWITCH</b> Ventura	\$52.00	
01994150	1974	<b>WINDSHIELD WIPER SWITCH</b> Ventura	\$52.00	
<b>WIPER MOTOR HARNESS</b>				
40443	1961	<b>WIPER MOTOR HARNESS</b> 2 Speed	\$41.00	
40449	1961	<b>WIPER MOTOR HARNESS</b> 2 Speed, With Washer	\$48.00	
40448	1961	<b>WIPER MOTOR HARNESS</b> Single Speed, With Washer	\$41.00	
40442	1961	<b>WIPER MOTOR HARNESS</b> Single Speed	\$34.00	
40461	1962	<b>WIPER MOTOR HARNESS</b> 2 Speed	\$41.00	
40459	1962	<b>WIPER MOTOR HARNESS</b> Single Speed	\$34.00	
40462	1962	<b>WIPER MOTOR HARNESS</b> 2 Speed, With Washer	\$48.00	
40460	1962	<b>WIPER MOTOR HARNESS</b> Single Speed, With Washer	\$41.00	
40467	1963	<b>WIPER MOTOR HARNESS</b> 2 Speed	\$27.00	
40466	1963	<b>WIPER MOTOR HARNESS</b> Single Speed, With Washer	\$41.00	
40468	1963	<b>WIPER MOTOR HARNESS</b> 2 Speed, With Washer	\$48.00	
40484	1964	<b>WIPER MOTOR HARNESS</b> 2 Speed	\$27.00	
38809	1964	<b>WIPER MOTOR HARNESS</b> 2 Speed, With Washer	\$37.00	
40688	1975	<b>WIPER MOTOR HARNESS</b> With Pulse Wipers	\$67.00	
40690	1975	<b>WIPER MOTOR HARNESS</b> With Pulse Wipers & Tach. (Tach Wiring Included)	\$83.00	
40688	1976	<b>WIPER MOTOR HARNESS</b> With Pulse Wipers	\$67.00	
40690	1976	<b>WIPER MOTOR HARNESS</b> With Pulse Wipers & Tach. (Tach Wiring Included)	\$83.00	