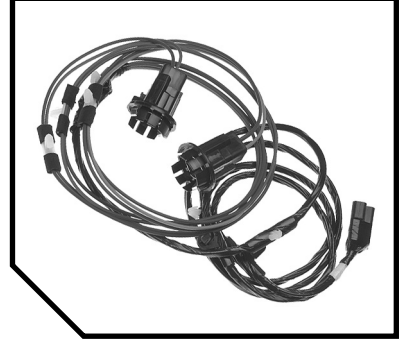




Electrical Restoration Products

**Chevy Truck
Series 10-30**

WIRING HARNESSES



BATTERY CABLES



SWITCHES



Phone 562.926.9552

Fax 562.926.9572

sparky@wiringharness.com

www.wiringharness.com

Buy with Confidence !

Made in the U.S.A.

All of our harnesses are hand assembled in the U.S.A.

Correct Color Wires

Our harnesses always match the original factory color codes and gauge sizes. We use U.S.A. made Cross Linked Polyethylene type GXL wire which is much more tolerant to heat than the original PVC type GPT wire that was used from the factory.

Dip Soldered (when applicable)

All terminals are dip soldered (when applicable) to limit resistance loss.

Correct Connectors & Terminals

With over 300,000 connectors and terminals in stock you can be sure the harness you receive will look identical to the original.

Correct Non-Adhesive & Cloth Tapes

All harnesses are wrapped with the correct non-adhesive or cloth woven tapes to assure a 100% factory appearance.

Technical Support

We don't expect our customers to be "wiring-wizards", you can call us direct with any technical questions you may have.

Custom Modifications

Custom modifications are available to allow you to convert from an external regulated alternator to an internal regulated alternator. This modification is available for most '63 and up GM cars and trucks. We can also convert many of our engine harnesses to work with H.E.I. distributors and electric chokes. Our modifications retain the factory appearance. Call our Customer Service Department for more details.

Reproduction Switches

We manufacture an extensive line of reproduction switches. These include Turn Signal, Backup Light, Neutral Safety, Wiper, Headlight Switches and others. As with all of our restoration products our switches will fit and function perfectly, just like the originals.

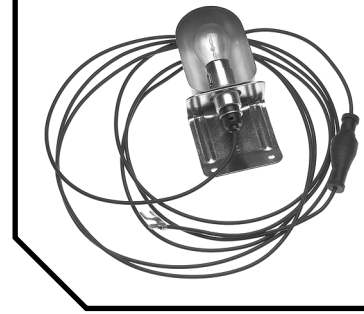
Guarantee & Warranty

We are so confident in the quality of all of our restoration products that we offer the following guarantee and warranty. If you are not 100% satisfied with the quality of any of our restoration products we will give you a full refund. Just return the unused item within 30 days of receipt for a full refund. We also offer a full 1 year replacement warranty on all of the products we sell (see our product warranty sheet for more info).

Method of Payment

We accept Visa, Master Card, American Express and Discover. If you prefer to pre-pay your order, we accept Money Orders, Cashiers Checks or Personal Checks. C.O.D. shipments are also available.

LIGHTING KITS



1 WIRE IGNITION



HARNESS TAPE



"M&H Harnesses are perfect reproductions created with correct color wires from Original GM wiring schematics".

**MUSCLECAR ENTHUSIAST
MAGAZINE**

www.wiringharness.com

Alternator Conversion Kits

**See car line catalogs
for specific applications**

Alternator Conversion Kit External to "SI" Type Internal

Our most popular Alternator Conversion Kit. This kit makes it easy to convert from an External Regulated Alternator to an "SI" Type Internal Regulated Alternator. Kit includes both adapters and an instruction sheet.

Easy to install:

1) Disconnect the external voltage regulator leads and plug our "Special Regulator Adapter" into the voltage regulator lead wires. 2) Disconnect the alternator lead wires. 3) Install new "SI" Type Internal Regulated alternator. 4) Plug one end of our "Alternator Adapter" into the original alternator lead wires and the other into the alternator.

Typical application is '63-'74 GM Cars & Trucks, see carline catalogs for specific application information.

Part #27555

Retail \$29.00



Alternator Conversion Kit External to "CS" Type Internal

This kit makes it easy to convert from an External Regulated Alternator to a "CS" Type Internal Regulated Alternator. Kit includes both adapters and an instruction sheet.

Easy to install:

1) Disconnect the external voltage regulator leads and plug our "Special Regulator Adapter" into the voltage regulator lead wires. 2) Disconnect the alternator lead wires. 3) Install new "SI" Type Internal Regulated alternator. 4) Plug one end of our "Alternator Adapter" into the original alternator lead wires and the other into the alternator.

Typical application is '63-'74 GM Cars & Trucks, see carline catalogs for specific application information.

Part #37787

Retail \$34.00



Alternator Conversion Kit "SI" Type Internal to CS130/CS144 Type Internal

Allows for an easy conversion from an "SI" type internal regulated alternator to a "CS130" or "CS144" type internal regulated alternator. Simple to install, the mating end of the adapter pigtail plugs perfectly to the original alternator connector, and the other end plugs right into any "CS130" or "CS144" type alternator. Kit includes adapter pigtail and an instruction sheet.

Typical application is '69-'84 GM Cars & Trucks, see carline catalogs for specific application information.

Part #37796

Retail \$26.00



Alternator Conversion Kits

See car line catalogs
for specific applications

Alternator Conversion Kit

"SI" Type Internal to "CS130D" Type Internal

Allows for an easy conversion from an "SI" type internal regulated alternator to a "CS130D" type internal regulated alternator. Simple to install, the mating end of the adapter pigtail plugs perfectly to the original alternator connector, and the other end plugs right into any "CS130D" type alternator. Kit includes adapter pigtail and an instruction sheet.

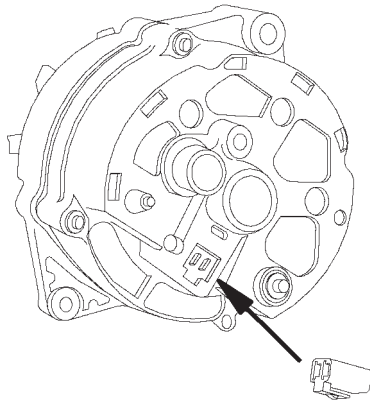
Typical application is '69-'84 GM Cars & Trucks, see carline catalogs for specific application information.

Part #39472

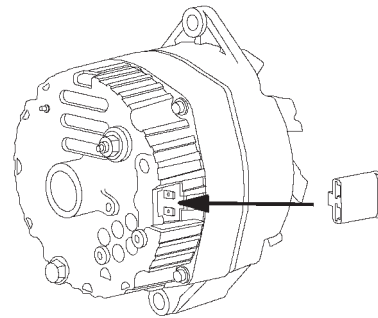
Retail \$27.00



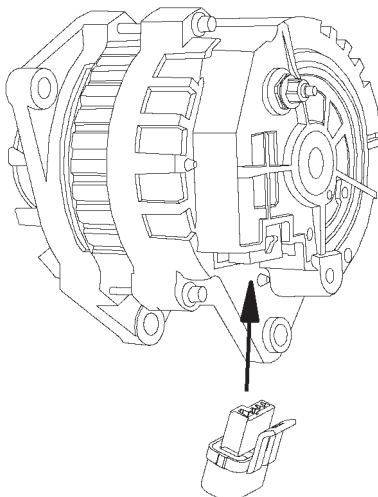
Alternator Identification



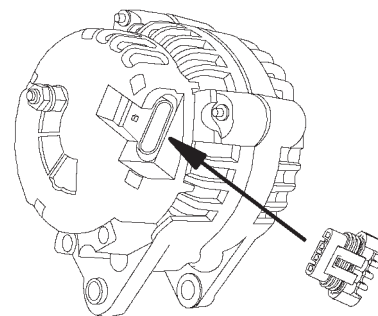
1963-1974
External Regulated Alternator



1969-1984 "SI" Type
Internal Regulated Alternator



1984-1999 "CS130" & "CS144" Type
Internal Regulated Alternator



1994-Newer "CS130D" Type
Internal Regulated Alternator

Breakerless SE Single Wire Ignition

Simple 1 Wire Hook-Up, just connect the original points wire to the module

Completely stock appearance

Emissions Legal in all 50 States

Three year warranty

The Breakerless SE allows you to convert any 1957 to 1974 GM, AMC or Jeep V8 breaker point type distributor (with a windowed type distributor cap) to a reliable solid-state electronic ignition, utilizing a fully integrated trigger and power module that fits completely inside the distributor.

Unlike competitive systems though, no additional wires protrude from the distributor, only the original points wire. The result is a state-of-the-art ignition with an absolutely stock appearance. The Breakerless SE is so unique that it's patented !



Outstanding features of this unit include:

- Single wire operation to preserve stock appearance and simplify wiring.
- Active dwell control maintains high rpm spark energy while reducing coil heating at idle.
- Auto-standby prevents coil damage or dead battery if the ignition is accidentally left on.
- Hall effect rotary-vane sensor design compensates for worn bearings and distributor end play. Magnetic sensor is unaffected by oil, dirt or other contaminants, unlike optical systems.
- Over-voltage/over-current protected against damage from high amp battery chargers, reversed battery, or improper wiring.
- Constructed with premium quality components. Sealed, hi-temp thermoplastic housing provides exceptional resistance against moisture and vibration.
- No distributor modification, disassembly, or removal is required.

Kit comes complete with everything you'll need to install the Breakerless SE Single Wire Ignition. Kit includes: 1 Module, 1 (two-piece) vane, all necessary installation hardware and a comprehensive instruction sheet.

Part #38131
Retail \$179.00

**For more info on this product
visit www.breakerless.com**

Classic Auto Fuse Series Dash Harnesses

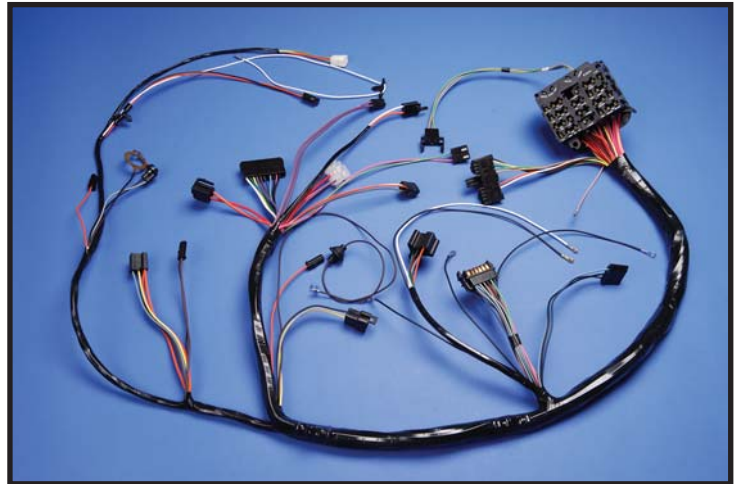
Now Available for 1967-1978 Chevy Trucks

Factory Replacement Style Dash Harnesses with ATO Type Fuse Blocks

No cutting, modifying or altering of any sort required

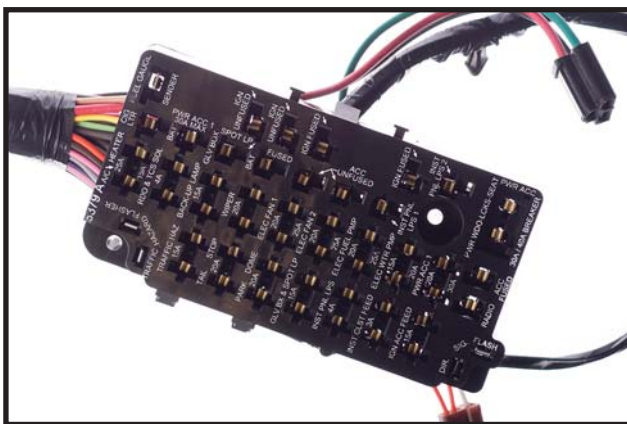
Our new Classic Auto Fuse Series Dash Harnesses allow the professional restorer to maintain the plug and play functionality of the original factory type harnesses, while converting the entire fuse block to an Auto Fuse Series (ATO Type) fuse block. The Classic Auto Fuse Series Dash Harnesses give restorers the flexibility to add additional power circuits, without the installation headaches normally associated with this type of fuse box conversion.

The plug and play Classic Auto Fuse Series Dash Harness are a first in the industry. Don't be fooled by clever advertising and claims by others that their do-it-yourself harnesses are easy to install. There is no other product like this on the market, anywhere.



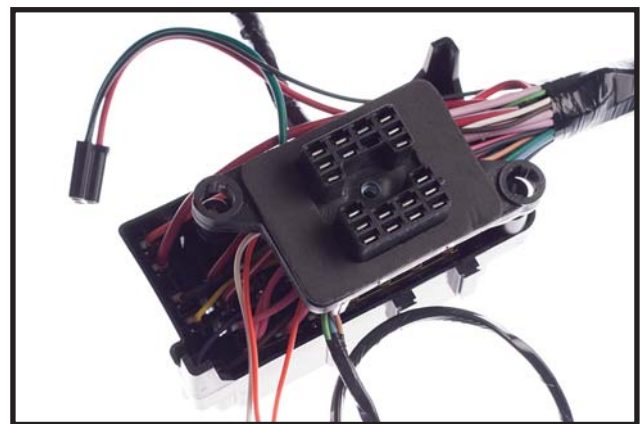
There is no cutting, modifying or altering of any sort required. Just plug it in and turn it on, it's that simple. The Classic Auto Fuse Dash Harnesses are completely compatible with the remaining harnesses in the car; couple that with our world renowned Free technical support for the finest product money can buy.

See our Chevy Truck Catalog Listings for Part Numbers, Fitment & Pricing



ATO Type Fuse Block

ATO Type Fuse Block with additional, fully integrated power ports allows the restorer to easily tap power for aftermarket electronic devices such as electric radiator fans, fuel pumps & ignition boxes.



Original Factory Bulkhead Connector

An Original Factory Bulkhead Connector is used on the back of the ATO Fuse Block. This allows the restorer to maintain the plug & play functionality of factory original style Engine & Forward Harnesses.

Classic Auto Fuse Series Dash Harnesses

Check Out These Outstanding Features

Easy Installation

The Classic Auto Fuse Series Dash Harnesses install just like the factory originals. No modifications are required to any of the other harnesses in the car. Stock wiring diagrams and Assembly Manuals can be used to aid in the installation, as the wire colors match the original GM color code specifications.

Upgraded Main Power Circuits

The main power circuits have been upgraded to ensure the extra capacity of the new Classic Auto Fuse Series fuse block. No need to worry about splicing on to existing fuses and circuits for aftermarket type accessories and overloading the fuse.

One 30 Amp Fuse Port

This port can be used for power seats, power windows, power door locks or other accessories. This port has a maximum fuse capacity of 30 amps.

Three Separate 25 Amp Fuse Ports

These three ports can be used for a single electric radiator fan, a dual electric fan setup, an electric fuel pump or other accessories. Each of these ports has a maximum fuse capacity of 25 amps.

One 20 Amp Fuse Port

This port can be used for an electric water pump or other accessories. This port has a maximum fuse capacity of 20 amps.

One 40 Amp Circuit Breaker Port

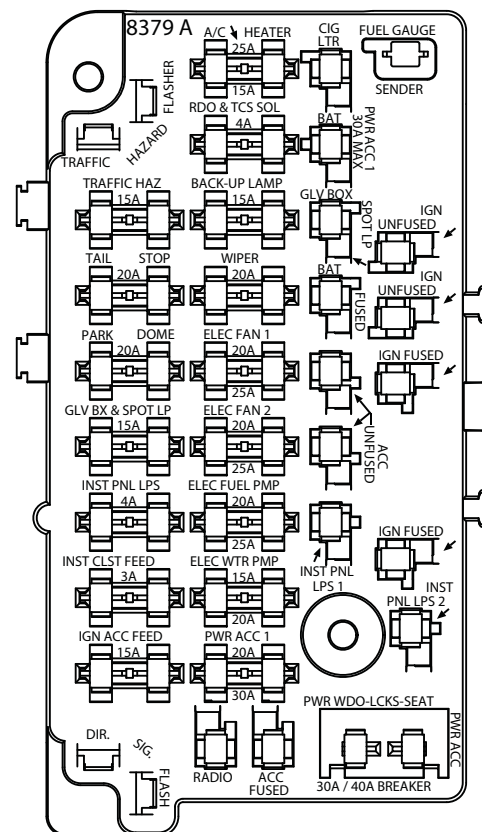
This port can be used for power seats, power windows, power door locks or other accessories. This port is designed for a circuit breaker, but a fuse may be used in place of a circuit breaker should you choose to.

**All of Our Wiring Harnesses are
Hand Assembled in the USA!**



GXL Wire & Original Factory Type Connectors

We use U.S.A. made Cross Linked Polyethylene type GXL wire which is much more tolerant to heat than the original PVC type GPT wire that was used from the factory. Wire colors match the OEM specs and Original Factory Type Connectors are used on every wire.



Example of a Classic Auto Fuse Series ATO Type Fuse Block. Design varies based on year of vehicle.

Part Number	Year	Description	Price	*Rev.
ACCESSORY FUSEBLOCK-POWER FEED HARNESS				
06280	1955	ACCESSORY FUSEBLOCK, POWER FEED HARNESS Lights, Battery & Ignition Power To Optional Fuseblock	\$26.00	
42800	1956	ACCESSORY FUSEBLOCK, POWER FEED HARNESS Lights, Battery & Ignition Power To Optional Fuseblock	\$37.00	
42801	1957	ACCESSORY FUSEBLOCK, POWER FEED HARNESS Lights, Battery & Ignition Power To Optional Fuseblock	\$37.00	
42801	1958	ACCESSORY FUSEBLOCK, POWER FEED HARNESS Lights, Battery & Ignition Power To Optional Fuseblock	\$37.00	
42801	1959	ACCESSORY FUSEBLOCK, POWER FEED HARNESS Lights, Battery & Ignition Power To Optional Fuseblock	\$37.00	
AIR CONDITIONING CONTROL ASSEMBLY				
01222890	1967	AIR CONDITIONING CONTROL ASSEMBLY With A/C, Complete With Fan Switch	\$185.00	N
01222890	1968	AIR CONDITIONING CONTROL ASSEMBLY With A/C, Complete With Fan Switch	\$185.00	N
01222890	1969	AIR CONDITIONING CONTROL ASSEMBLY With A/C, Complete With Fan Switch	\$185.00	N
01222890	1970	AIR CONDITIONING CONTROL ASSEMBLY With A/C, Complete With Fan Switch	\$185.00	N
01222890	1971	AIR CONDITIONING CONTROL ASSEMBLY With A/C, Complete With Fan Switch	\$185.00	N
01222890	1972	AIR CONDITIONING CONTROL ASSEMBLY With A/C, Complete With Fan Switch	\$185.00	N
AIR CONDITIONING EXTENSION HARNESS				
20840	1965	AIR CONDITIONING EXTENSION HARNESS Blower Switch Wire Assembly	\$18.00	
20840	1966	AIR CONDITIONING EXTENSION HARNESS Blower Switch Wire Assembly	\$18.00	
41617	1967	AIR CONDITIONING EXTENSION HARNESS Blower Switch Wire Assembly	\$24.00	N
39731	1973	AIR CONDITIONING EXTENSION HARNESS Suburban, With Overhead A/C, Blower Switch Harness To Blower Motor	\$42.00	M
39735	1973	AIR CONDITIONING EXTENSION HARNESS Compressor To A/C Harness	\$63.00	M
39731	1974	AIR CONDITIONING EXTENSION HARNESS Suburban, With Overhead A/C, Blower Switch Harness To Blower Motor	\$42.00	M
39735	1974	AIR CONDITIONING EXTENSION HARNESS Compressor To A/C Harness	\$63.00	M
39777	1975	AIR CONDITIONING EXTENSION HARNESS All, Except 1/2-Ton With 250 6 Cyl, Compressor To A/C Harness Note: 6 Cylinder Items Are Not Returnable.	\$63.00	M
39790	1975	AIR CONDITIONING EXTENSION HARNESS Suburban, With Overhead A/C, Blower Switch Harness To Blower Motor	\$42.00	M
39817	1976	AIR CONDITIONING EXTENSION HARNESS All 2 Wheel Drive, & 1/2, 3/4-Ton 4 Wheel Drive, Compressor To A/C Harness	\$35.00	M
39790	1976	AIR CONDITIONING EXTENSION HARNESS Suburban, With Overhead A/C, Blower Switch Harness To Blower Motor	\$42.00	M
39652	1977	AIR CONDITIONING EXTENSION HARNESS All 2 Wheel Drive, & 1/2, 3/4-Ton 4 Wheel Drive, With 350 & 400 V/8, Compressor To A/C Harness	\$83.00	M
39817	1977	AIR CONDITIONING EXTENSION HARNESS All 2 Wheel Drive, & 1/2, 3/4-Ton 4 Wheel Drive, With 454 V/8, Compressor To A/C Harness	\$35.00	M
39790	1977	AIR CONDITIONING EXTENSION HARNESS Suburban, With Overhead A/C, Blower Switch Harness To Blower Motor	\$42.00	M
39652	1978	AIR CONDITIONING EXTENSION HARNESS All 2 Wheel Drive, & 1/2, 3/4-Ton 4 Wheel Drive, With 350 & 400 V/8, Compressor To A/C Harness	\$83.00	M
39817	1978	AIR CONDITIONING EXTENSION HARNESS All 2 Wheel Drive, & 1/2, 3/4-Ton 4 Wheel Drive, With 454 V/8, Compressor To A/C Harness	\$35.00	M
39790	1978	AIR CONDITIONING EXTENSION HARNESS Suburban, With Overhead A/C, Blower Switch Harness To Blower Motor	\$42.00	M
39876	1978	AIR CONDITIONING EXTENSION HARNESS 1/2 Ton Models, With 250 6 Cyl. Compressor To A/C Harness	\$63.00	M
39879	1978	AIR CONDITIONING EXTENSION HARNESS 2 Wheel Drives, With Diesel, Compressor To A/C Harness	\$42.00	M
39901	1979	AIR CONDITIONING EXTENSION HARNESS All 2 Wheel Drive, & 1/2, 3/4-Ton 4 Wheel Drive, With 350 & 400 V/8, Compressor To A/C Harness	\$50.00	M
39900	1979	AIR CONDITIONING EXTENSION HARNESS 2 Wheel Drive 1-Ton, With 454 V/8, Compressor To A/C Harness	\$42.00	M
39790	1979	AIR CONDITIONING EXTENSION HARNESS Suburban, With Overhead A/C, Blower Switch Harness To Blower Motor	\$42.00	M
39876	1979	AIR CONDITIONING EXTENSION HARNESS 1/2 Ton Models, With 250 6 Cyl. Compressor To A/C Harness	\$63.00	M

Part Number	Year	Description	Price	*Rev.
39879	1979	AIR CONDITIONING EXTENSION HARNESS 2 Wheel Drive 1/2 Ton, With Diesel, Compressor To A/C Harness	\$42.00	M
39902	1979	AIR CONDITIONING EXTENSION HARNESS 2 Wheel Drives, With Diesel, Compressor To Fast Idle Relay	\$63.00	M
39909	1979	AIR CONDITIONING EXTENSION HARNESS 2 Wheel Drive 1/2 & 3/4-Ton, With 454 V/8, Compressor To A/C Harness	\$50.00	M
39790	1980	AIR CONDITIONING EXTENSION HARNESS Suburban, With Overhead A/C, Blower Switch Harness To Blower Motor	\$42.00	M
39876	1980	AIR CONDITIONING EXTENSION HARNESS 1/2 Ton Models, With 250 6 Cyl. Compressor To A/C Harness Note: 6 Cylinder Items Are Not Returnable.	\$63.00	M
39902	1980	AIR CONDITIONING EXTENSION HARNESS 2 Wheel Drive 1/2 Ton, With Diesel, Compressor To Fast Idle Relay	\$63.00	M
39355	1980	AIR CONDITIONING EXTENSION HARNESS With V/8 & Fast Idle Solenoid, Except 454 V/8, Compressor To A/C Harness	\$63.00	M
39933	1980	AIR CONDITIONING EXTENSION HARNESS With V/8, Without Fast Idle Solenoid, Except 454 V/8, Compressor To A/C Harness	\$63.00	M
39930	1980	AIR CONDITIONING EXTENSION HARNESS With 454 V/8, Without Fast Idle Solenoid, Compressor To A/C Harness	\$63.00	M
39931	1980	AIR CONDITIONING EXTENSION HARNESS With 454 V/8 & Fast Idle Solenoid, Compressor To A/C Harness	\$63.00	M
39790	1981	AIR CONDITIONING EXTENSION HARNESS Suburban, With Overhead A/C, Blower Switch Harness To Blower Motor	\$42.00	M
39876	1981	AIR CONDITIONING EXTENSION HARNESS 1/2 Ton Models, With 250 6 Cyl , Compressor To A/C Harness Note: 6 Cylinder Items Are Not Returnable.	\$63.00	M
39902	1981	AIR CONDITIONING EXTENSION HARNESS 2 Wheel Drives, With Diesel, With Federal Emissions, Compressor To Fast Idle Relay	\$63.00	M
39930	1981	AIR CONDITIONING EXTENSION HARNESS With 454 V/8, Without Fast Idle Solenoid, Compressor To A/C Harness	\$63.00	M
39355	1981	AIR CONDITIONING EXTENSION HARNESS Suburban 1/2 Ton, With 3 Spd Auto Trans & Overhead A/C, Compressor To A/C Harness	\$63.00	M
39956	1981	AIR CONDITIONING EXTENSION HARNESS With V/8, Without Fast Idle Solenoid, Except 454 V/8, Compressor To A/C Harness	\$63.00	M
39967	1981	AIR CONDITIONING EXTENSION HARNESS With V/8 & Fast Idle Solenoid, Except 454 V/8, Compressor To A/C Harness	\$63.00	M
39931	1981	AIR CONDITIONING EXTENSION HARNESS With 454 V/8 & Fast Idle Solenoid, Compressor To A/C Harness	\$63.00	M
39978	1981	AIR CONDITIONING EXTENSION HARNESS 2 Wheel Drives, With Diesel, Compressor To A/C Harness	\$63.00	M
39876	1982	AIR CONDITIONING EXTENSION HARNESS 1/2 Ton Models, With 250 6 Cyl. Compressor To A/C Harness Note: 6 Cylinder Items Are Not Returnable.	\$63.00	M
39930	1982	AIR CONDITIONING EXTENSION HARNESS With 454 V/8, Without Fast Idle Solenoid, Compressor To A/C Harness	\$63.00	M
39355	1982	AIR CONDITIONING EXTENSION HARNESS Suburban 1/2 Ton, With 3 Spd Auto Trans & Overhead A/C, Compressor To A/C Harness	\$63.00	M
39956	1982	AIR CONDITIONING EXTENSION HARNESS With V/8, Without Fast Idle Solenoid, Except 454 V/8, Compressor To A/C Harness	\$63.00	M
39995	1982	AIR CONDITIONING EXTENSION HARNESS With Diesel, Compressor To A/C Harness	\$63.00	M
39790	1982	AIR CONDITIONING EXTENSION HARNESS Suburban, With Overhead A/C, Blower Switch Harness To Blower Motor	\$42.00	M
39967	1982	AIR CONDITIONING EXTENSION HARNESS With V/8 & Fast Idle Solenoid, Compressor To A/C Harness	\$63.00	M
AIR CONDITIONING HARNESS				
20820	1962	AIR CONDITIONING HARNESS Includes Heater Wiring	\$153.00	
20820	1963	AIR CONDITIONING HARNESS Includes Heater Wiring	\$153.00	
20815	1964	AIR CONDITIONING HARNESS Includes Heater Wiring	\$153.00	
19965	1965	AIR CONDITIONING HARNESS Includes Heater Wiring	\$153.00	
19965	1966	AIR CONDITIONING HARNESS Includes Heater Wiring	\$153.00	
20825	1967	AIR CONDITIONING HARNESS Includes Heater Wiring	\$153.00	

Part Number	Year	Description	Price	*Rev.
20835	1968	AIR CONDITIONING HARNESS Includes Heater Wiring	\$153.00	
35260	1969	AIR CONDITIONING HARNESS Includes Heater Wiring	\$159.00	
35260	1970	AIR CONDITIONING HARNESS Includes Heater Wiring	\$159.00	
20805	1971	AIR CONDITIONING HARNESS Includes Heater Wiring	\$173.00	
35260	1972	AIR CONDITIONING HARNESS Includes Heater Wiring	\$159.00	
39303	1973	AIR CONDITIONING HARNESS Includes Heater Wiring	\$270.00	M
39727	1973	AIR CONDITIONING HARNESS Suburban, With Overhead A/C, Fuse Panel To Blower Switch	\$133.00	M
39727	1974	AIR CONDITIONING HARNESS Suburban, With Overhead A/C, Fuse Panel To Blower Switch	\$133.00	M
39759	1974	AIR CONDITIONING HARNESS Includes Heater Wiring	\$291.00	M
39727	1975	AIR CONDITIONING HARNESS Suburban, With Overhead A/C, Fuse Panel To Blower Switch	\$133.00	M
39776	1975	AIR CONDITIONING HARNESS Includes Heater Wiring	\$291.00	M
39727	1976	AIR CONDITIONING HARNESS Suburban, With Overhead A/C, Fuse Panel To Blower Switch	\$133.00	M
39827	1976	AIR CONDITIONING HARNESS Includes Heater Wiring	\$291.00	M
39727	1977	AIR CONDITIONING HARNESS Suburban, With Overhead A/C, Fuse Panel To Blower Switch	\$133.00	M
39653	1977	AIR CONDITIONING HARNESS Includes Heater Wiring	\$291.00	M
39727	1978	AIR CONDITIONING HARNESS Suburban, With Overhead A/C, Fuse Panel To Blower Switch	\$133.00	M
39859	1978	AIR CONDITIONING HARNESS Includes Heater Wiring, (1st Design) Note: with a/c temp. control switch mounted on evaporator inlet pipe support bracket.	\$291.00	M
39356	1978	AIR CONDITIONING HARNESS Includes Heater Wiring, (2nd Design) Note: with a/c temp. control switch mounted near top of accumulator bottle.	\$291.00	M
39883	1979	AIR CONDITIONING HARNESS Suburban, With Overhead A/C, Fuse Panel To Blower Switch	\$133.00	M
39356	1979	AIR CONDITIONING HARNESS Includes Heater Wiring	\$291.00	M
39883	1980	AIR CONDITIONING HARNESS Suburban, With Overhead A/C, Fuse Panel To Blower Switch	\$133.00	M
39356	1980	AIR CONDITIONING HARNESS Includes Heater Wiring	\$291.00	M
39936	1981	AIR CONDITIONING HARNESS Suburban, With Overhead A/C, Fuse Panel To Blower Switch	\$133.00	M
39937	1981	AIR CONDITIONING HARNESS Includes Heater Wiring	\$291.00	M
39937	1982	AIR CONDITIONING HARNESS Includes Heater Wiring	\$291.00	M
39997	1982	AIR CONDITIONING HARNESS Suburban, With Overhead A/C, Fuse Panel To Blower Switch	\$133.00	M
ALTERNATOR CONVERSION HARNESS				
30380	1947	ALTERNATOR CONVERSION HARNESS Generator To Internal Regulated Alternator	\$53.00	
30380	1948	ALTERNATOR CONVERSION HARNESS Generator To Internal Regulated Alternator	\$53.00	
30380	1949	ALTERNATOR CONVERSION HARNESS Generator To Internal Regulated Alternator	\$53.00	
30380	1950	ALTERNATOR CONVERSION HARNESS Generator To Internal Regulated Alternator	\$53.00	
30380	1951	ALTERNATOR CONVERSION HARNESS Generator To Internal Regulated Alternator	\$53.00	
30380	1952	ALTERNATOR CONVERSION HARNESS Generator To Internal Regulated Alternator	\$53.00	
30380	1953	ALTERNATOR CONVERSION HARNESS Generator To Internal Regulated Alternator	\$53.00	
30370	1954	ALTERNATOR CONVERSION HARNESS Generator To Internal Regulated Alternator	\$53.00	
30370	1955	ALTERNATOR CONVERSION HARNESS Generator To Internal Regulated Alternator, 1st. Series Note: For Use With Original 6 Volt Electrical System (1st Series).	\$53.00	
30360	1955	ALTERNATOR CONVERSION HARNESS V/8, Generator To Internal Regulated Alternator, 2nd. Series Note: For Use With Original 12 Volt Electrical System (2nd Series).	\$74.00	
30360	1956	ALTERNATOR CONVERSION HARNESS V/8, Generator To Internal Regulated Alternator	\$74.00	
30320	1957	ALTERNATOR CONVERSION HARNESS V/8, Generator To Internal Regulated Alternator	\$74.00	
30320	1958	ALTERNATOR CONVERSION HARNESS V/8, Generator To Internal Regulated Alternator	\$74.00	
30320	1959	ALTERNATOR CONVERSION HARNESS V/8, Generator To Internal Regulated Alternator	\$74.00	

Part Number	Year	Description	Price	*Rev.
31560	1960	ALTERNATOR CONVERSION HARNESS V/8, Generator To Internal Regulated Alternator Note: Due To The Design Of Your Original Dash Harness For Generator Wiring, It Is Not Possible To Make The Generator Light Work When Using Our Alternator Conversion Harness.	\$80.00	
31560	1961	ALTERNATOR CONVERSION HARNESS V/8, Generator To Internal Regulated Alternator Note: Due To The Design Of Your Original Dash Harness For Generator Wiring, It Is Not Possible To Make The Generator Light Work When Using Our Alternator Conversion Harness.	\$80.00	
31560	1962	ALTERNATOR CONVERSION HARNESS V/8, Generator To Internal Regulated Alternator Note: Due To The Design Of Your Original Dash Harness For Generator Wiring, It Is Not Possible To Make The Generator Light Work When Using Our Alternator Conversion Harness.	\$80.00	
ALTERNATOR CONVERSION KIT				
27555	1963	ALTERNATOR CONVERSION KIT External To Internal Regulator Conversion Harness ("SI" Series) Note: For Use With 1972-84 Non-Serpentine Belt ("SI" Series) Internal Regulated Alternators.	\$29.00	
37787	1963	ALTERNATOR CONVERSION KIT External To Internal Regulator Conversion Harness ("CS" Series) Note: For Use With Serpentine Belt ("CS" Series) Internal Regulated Alternators.	\$34.00	
27555	1964	ALTERNATOR CONVERSION KIT External To Internal Regulator Conversion Harness ("SI" Series) Note: For Use With 1972-84 Non-Serpentine Belt ("SI" Series) Internal Regulated Alternators.	\$29.00	
37787	1964	ALTERNATOR CONVERSION KIT External To Internal Regulator Conversion Harness ("CS" Series) Note: For Use With Serpentine Belt ("CS" Series) Internal Regulated Alternators.	\$34.00	
27555	1965	ALTERNATOR CONVERSION KIT External To Internal Regulator Conversion Harness ("SI" Series) Note: For Use With 1972-84 Non-Serpentine Belt ("SI" Series) Internal Regulated Alternators.	\$29.00	
37787	1965	ALTERNATOR CONVERSION KIT External To Internal Regulator Conversion Harness ("CS" Series) Note: For Use With Serpentine Belt ("CS" Series) Internal Regulated Alternators.	\$34.00	
27555	1966	ALTERNATOR CONVERSION KIT External To Internal Regulator Conversion Harness ("SI" Series) Note: For Use With 1972-84 Non-Serpentine Belt ("SI" Series) Internal Regulated Alternators.	\$29.00	
37787	1966	ALTERNATOR CONVERSION KIT External To Internal Regulator Conversion Harness ("CS" Series) Note: For Use With Serpentine Belt ("CS" Series) Internal Regulated Alternators.	\$34.00	
27555	1967	ALTERNATOR CONVERSION KIT External To Internal Regulator Conversion Harness ("SI" Series) Note: For Use With 1972-84 Non-Serpentine Belt ("SI" Series) Internal Regulated Alternators.	\$29.00	
37787	1967	ALTERNATOR CONVERSION KIT External To Internal Regulator Conversion Harness ("CS" Series) Note: For Use With Serpentine Belt ("CS" Series) Internal Regulated Alternators.	\$34.00	
27555	1968	ALTERNATOR CONVERSION KIT External To Internal Regulator Conversion Harness ("SI" Series) Note: For Use With 1972-84 Non-Serpentine Belt ("SI" Series) Internal Regulated Alternators.	\$29.00	
37787	1968	ALTERNATOR CONVERSION KIT External To Internal Regulator Conversion Harness ("CS" Series) Note: For Use With Serpentine Belt ("CS" Series) Internal Regulated Alternators.	\$34.00	
27555	1969	ALTERNATOR CONVERSION KIT External To Internal Regulator Conversion Harness ("SI" Series) Note: For Use With 1972-84 Non-Serpentine Belt ("SI" Series) Internal Regulated Alternators.	\$29.00	
37787	1969	ALTERNATOR CONVERSION KIT External To Internal Regulator Conversion Harness ("CS" Series) Note: For Use With Serpentine Belt ("CS" Series) Internal Regulated Alternators.	\$34.00	
27555	1970	ALTERNATOR CONVERSION KIT External To Internal Regulator Conversion Harness ("SI" Series) Note: For Use With 1972-84 Non-Serpentine Belt ("SI" Series) Internal Regulated Alternators.	\$29.00	
37787	1970	ALTERNATOR CONVERSION KIT External To Internal Regulator Conversion Harness ("CS" Series) Note: For Use With Serpentine Belt ("CS" Series) Internal Regulated Alternators.	\$34.00	
27555	1971	ALTERNATOR CONVERSION KIT External To Internal Regulator Conversion Harness ("SI" Series) Note: For Use With 1972-84 Non-Serpentine Belt ("SI" Series) Internal Regulated Alternators.	\$29.00	
37787	1971	ALTERNATOR CONVERSION KIT External To Internal Regulator Conversion Harness ("CS" Series) Note: For Use With Serpentine Belt ("CS" Series) Internal Regulated Alternators.	\$34.00	
27555	1972	ALTERNATOR CONVERSION KIT External To Internal Regulator Conversion Harness ("SI" Series) Note: For Use With 1972-84 Non-Serpentine Belt ("SI" Series) Internal Regulated Alternators.	\$29.00	
37787	1972	ALTERNATOR CONVERSION KIT External To Internal Regulator Conversion Harness ("CS" Series) Note: For Use With Serpentine Belt ("CS" Series) Internal Regulated Alternators.	\$34.00	

Part Number	Year	Description	Price	*Rev.
37796	1975	ALTERNATOR CONVERSION KIT Internal Regulator "SI" Series Alternator To "CS" Series (Serpentine Belt) Alternator Note: For Use With Serpentine Belt ("CS130" Or "CS144" Type) Internal Regulated Alternators.	\$26.00	M
AMMETER GAUGE				
01500928	1947	AMMETER GAUGE Red Needle	\$74.00	N
01500928	1948	AMMETER GAUGE Red Needle	\$74.00	N
01501198	1949	AMMETER GAUGE White Needle	\$74.00	N
01501198	1950	AMMETER GAUGE White Needle	\$74.00	N
01501198	1951	AMMETER GAUGE White Needle	\$74.00	N
01501198	1952	AMMETER GAUGE White Needle	\$74.00	N
01501198	1953	AMMETER GAUGE White Needle	\$74.00	N
01501471	1954	AMMETER GAUGE	\$74.00	N
01501471	1955	AMMETER GAUGE 1st Series	\$74.00	N
01501740	1955	AMMETER GAUGE Used Only With Electric Type Temperature Gauge	\$85.00	N
01501735	1955	AMMETER GAUGE Used Only With Mechanical Type Temperature Gauge	\$85.00	N
01501740	1956	AMMETER GAUGE Used Only With Electric Type Temperature Gauge	\$85.00	N
01501735	1956	AMMETER GAUGE Used Only With Mechanical Type Temperature Gauge	\$85.00	N
01501740	1957	AMMETER GAUGE Used Only With Electric Type Temperature Gauge	\$85.00	N
01501735	1957	AMMETER GAUGE Used Only With Mechanical Type Temperature Gauge	\$85.00	N
01501740	1958	AMMETER GAUGE Used Only With Electric Type Temperature Gauge	\$85.00	N
01501735	1958	AMMETER GAUGE Used Only With Mechanical Type Temperature Gauge	\$85.00	N
01501740	1959	AMMETER GAUGE Used Only With Electric Type Temperature Gauge	\$85.00	N
01501735	1959	AMMETER GAUGE Used Only With Mechanical Type Temperature Gauge	\$85.00	N
01501949	1960	AMMETER GAUGE	\$74.00	N
01501949	1961	AMMETER GAUGE	\$74.00	N
01501949	1962	AMMETER GAUGE	\$74.00	N
01501949	1963	AMMETER GAUGE	\$74.00	N
01502803	1964	AMMETER GAUGE	\$74.00	N
01502803	1965	AMMETER GAUGE	\$74.00	N
01502803	1966	AMMETER GAUGE	\$74.00	N
01503428	1967	AMMETER GAUGE	\$47.00	N
44220	1967	AMMETER GAUGE With -40 / +40 Numeric Face Plate Note: This Is A Replacement For OEM Gauge 01503428 (With Discharge & Charge Graduations) In Trucks With Factory Gauge Type Clusters.	\$39.00	N
01503428	1968	AMMETER GAUGE	\$47.00	N
44220	1968	AMMETER GAUGE With -40 / +40 Numeric Face Plate Note: This Is A Replacement For OEM Gauge 01503428 (With Discharge & Charge Graduations) In Trucks With Factory Gauge Type Clusters.	\$39.00	N
01503428	1969	AMMETER GAUGE	\$47.00	N
44220	1969	AMMETER GAUGE With -40 / +40 Numeric Face Plate Note: This Is A Replacement For OEM Gauge 01503428 (With Discharge & Charge Graduations) In Trucks With Factory Gauge Type Clusters.	\$39.00	N
01503428	1970	AMMETER GAUGE	\$47.00	N
44220	1970	AMMETER GAUGE With -40 / +40 Numeric Face Plate Note: This Is A Replacement For OEM Gauge 01503428 (With Discharge & Charge Graduations) In Trucks With Factory Gauge Type Clusters.	\$39.00	N
01503428	1971	AMMETER GAUGE	\$47.00	N

Part Number	Year	Description	Price	*Rev.
44220	1971	AMMETER GAUGE With -40 / +40 Numeric Face Plate Note: This Is A Replacement For OEM Gauge 01503428 (With Discharge & Charge Graduations) In Trucks With Factory Gauge Type Clusters.	\$39.00	N
01503428	1972	AMMETER GAUGE	\$47.00	N
44220	1972	AMMETER GAUGE With -40 / +40 Numeric Face Plate Note: This Is A Replacement For OEM Gauge 01503428 (With Discharge & Charge Graduations) In Trucks With Factory Gauge Type Clusters.	\$39.00	N
06474468	1973	AMMETER GAUGE Fire Orange Needle	\$39.00	N
06474468	1974	AMMETER GAUGE Fire Orange Needle	\$39.00	N
06474468	1975	AMMETER GAUGE Fire Orange Needle	\$39.00	N
ASSEMBLY MANUAL				
36385	1947	ASSEMBLY MANUAL Factory Assembly Instruction Guide	\$42.00	
36385	1948	ASSEMBLY MANUAL Factory Assembly Instruction Guide	\$42.00	
36385	1949	ASSEMBLY MANUAL Factory Assembly Instruction Guide	\$42.00	
36385	1950	ASSEMBLY MANUAL Factory Assembly Instruction Guide	\$42.00	
36385	1951	ASSEMBLY MANUAL Factory Assembly Instruction Guide	\$42.00	
36385	1952	ASSEMBLY MANUAL Factory Assembly Instruction Guide	\$42.00	
36385	1953	ASSEMBLY MANUAL Factory Assembly Instruction Guide	\$42.00	
36385	1954	ASSEMBLY MANUAL Factory Assembly Instruction Guide	\$42.00	
41482	1955	ASSEMBLY MANUAL Factory Assembly Instruction Guide Note: This Is A Original Uncut Manual Containing Unedited Data And GM Part Numbers.	\$42.00	
36386	1955	ASSEMBLY MANUAL Factory Assembly Instruction Guide Note: This Manual Is A Edited And Cut Version Without Original GM Part Numbers. If You Have A 1955 Chevy Truck It Is Recommended That You Use The Unedited #41482 Assembly Manual.	\$42.00	
36386	1956	ASSEMBLY MANUAL Factory Assembly Instruction Guide Note: This Manual Is A Edited And Cut Version Without Original GM Part Numbers.	\$42.00	
36386	1957	ASSEMBLY MANUAL Factory Assembly Instruction Guide Note: This Manual Is A Edited And Cut Version Without Original GM Part Numbers.	\$42.00	
36386	1958	ASSEMBLY MANUAL Factory Assembly Instruction Guide Note: This Manual Is A Edited And Cut Version Without Original GM Part Numbers.	\$42.00	
36386	1959	ASSEMBLY MANUAL Factory Assembly Instruction Guide Note: This Manual Is A Edited And Cut Version Without Original GM Part Numbers.	\$42.00	
36387	1960	ASSEMBLY MANUAL Factory Assembly Instruction Guide	\$42.00	
36387	1961	ASSEMBLY MANUAL Factory Assembly Instruction Guide	\$42.00	
36387	1962	ASSEMBLY MANUAL Factory Assembly Instruction Guide	\$42.00	
36387	1963	ASSEMBLY MANUAL Factory Assembly Instruction Guide	\$42.00	
36387	1964	ASSEMBLY MANUAL Factory Assembly Instruction Guide	\$42.00	
36387	1965	ASSEMBLY MANUAL Factory Assembly Instruction Guide	\$42.00	
36387	1966	ASSEMBLY MANUAL Factory Assembly Instruction Guide	\$42.00	
36388	1967	ASSEMBLY MANUAL Factory Assembly Instruction Guide	\$51.00	
36388	1968	ASSEMBLY MANUAL Factory Assembly Instruction Guide	\$51.00	
36388	1969	ASSEMBLY MANUAL Factory Assembly Instruction Guide	\$51.00	
36388	1970	ASSEMBLY MANUAL Factory Assembly Instruction Guide	\$51.00	
36388	1971	ASSEMBLY MANUAL Factory Assembly Instruction Guide	\$51.00	
36388	1972	ASSEMBLY MANUAL Factory Assembly Instruction Guide	\$51.00	
39354	1982	ASSEMBLY MANUAL Factory Assembly Instruction Guide	\$54.00	M

Part Number	Year	Description	Price	*Rev.
AUXILIARY BATTERY GROUND WIRE				
44138	1968	AUXILIARY BATTERY GROUND WIRE All, With Dual Auxiliary Camper Battery Option, Secondary Battery Negative Post To Ground	\$30.00	N
44138	1969	AUXILIARY BATTERY GROUND WIRE All, With Dual Auxiliary Camper Battery Option, Secondary Battery Negative Post To Ground	\$30.00	N
44138	1970	AUXILIARY BATTERY GROUND WIRE All, With Dual Auxiliary Camper Battery Option, Secondary Battery Negative Post To Ground	\$30.00	N
44138	1971	AUXILIARY BATTERY GROUND WIRE All, With Dual Auxiliary Camper Battery Option, Secondary Battery Negative Post To Ground	\$30.00	N
44138	1972	AUXILIARY BATTERY GROUND WIRE All, With Dual Auxiliary Camper Battery Option, Secondary Battery Negative Post To Ground	\$30.00	N
39716	1973	AUXILIARY BATTERY GROUND WIRE All, With Dual Auxiliary Camper Battery Option, Secondary Battery Negative Post To Ground	\$30.00	M
39716	1974	AUXILIARY BATTERY GROUND WIRE All, With Dual Auxiliary Camper Battery Option, Secondary Battery Negative Post To Ground	\$30.00	M
39716	1975	AUXILIARY BATTERY GROUND WIRE All, With Dual Auxiliary Camper Battery Option, Secondary Battery Negative Post To Ground	\$30.00	M
39716	1976	AUXILIARY BATTERY GROUND WIRE All, With Dual Auxiliary Camper Battery Option, Secondary Battery Negative Post To Ground	\$30.00	M
39716	1977	AUXILIARY BATTERY GROUND WIRE All, With Dual Auxiliary Camper Battery Option, Secondary Battery Negative Post To Ground	\$30.00	M
39716	1978	AUXILIARY BATTERY GROUND WIRE All, With Dual Auxiliary Camper Battery Option, Secondary Battery Negative Post To Ground	\$30.00	M
39716	1979	AUXILIARY BATTERY GROUND WIRE All, With Dual Auxiliary Camper Battery Option, Secondary Battery Negative Post To Ground	\$30.00	M
39716	1980	AUXILIARY BATTERY GROUND WIRE All, With Dual Auxiliary Camper Battery Option, Secondary Battery Negative Post To Ground	\$30.00	M
39941	1981	AUXILIARY BATTERY GROUND WIRE All, With Dual Auxiliary Camper Battery Option, Secondary Battery Negative Post To Ground	\$30.00	M
39941	1982	AUXILIARY BATTERY GROUND WIRE All, With Dual Auxiliary Camper Battery Option, Secondary Battery Negative Post To Ground	\$30.00	M
AUXILIARY BATTERY HARNESS				
37450	1968	AUXILIARY BATTERY HARNESS All, With Dual Auxiliary Camper Battery Option, Secondary Battery To Junction Block & Relay	\$67.00	N
37450	1969	AUXILIARY BATTERY HARNESS All, With Dual Auxiliary Camper Battery Option, Secondary Battery To Junction Block & Relay	\$67.00	N
42950	1970	AUXILIARY BATTERY HARNESS All, With Dual Auxiliary Camper Battery Option, Secondary Battery To Junction Block & Relay	\$67.00	N
42950	1971	AUXILIARY BATTERY HARNESS All, With Dual Auxiliary Camper Battery Option, Secondary Battery To Junction Block & Relay	\$67.00	N
42950	1972	AUXILIARY BATTERY HARNESS All, With Dual Auxiliary Camper Battery Option, Secondary Battery To Junction Block & Relay	\$67.00	N
39720	1973	AUXILIARY BATTERY HARNESS All, With Dual Auxiliary Camper Battery Option, Secondary Battery To Junction Block & Relay	\$132.00	M
39720	1974	AUXILIARY BATTERY HARNESS All, With Dual Auxiliary Camper Battery Option, Secondary Battery To Junction Block & Relay	\$132.00	M
39785	1975	AUXILIARY BATTERY HARNESS All, With Dual Auxiliary Camper Battery Option, Secondary Battery To Junction Block & Relay	\$132.00	M
39812	1976	AUXILIARY BATTERY HARNESS All, With Dual Auxiliary Camper Battery Option, Secondary Battery To Junction Block & Relay	\$132.00	M
39812	1977	AUXILIARY BATTERY HARNESS All, With Dual Auxiliary Camper Battery Option, Secondary Battery To Junction Block & Relay	\$132.00	M
39812	1978	AUXILIARY BATTERY HARNESS All, With Dual Auxiliary Camper Battery Option, Secondary Battery To Junction Block & Relay	\$132.00	M

Part Number	Year	Description	Price	*Rev.
39884	1979	AUXILIARY BATTERY HARNESS All, With Dual Auxiliary Camper Battery Option, Secondary Battery To Junction Block & Relay	\$132.00	M
39884	1980	AUXILIARY BATTERY HARNESS All, With Dual Auxiliary Camper Battery Option, Secondary Battery To Junction Block & Relay	\$132.00	M
39942	1981	AUXILIARY BATTERY HARNESS All, With Dual Auxiliary Camper Battery Option, Secondary Battery To Junction Block & Relay	\$132.00	M
39942	1982	AUXILIARY BATTERY HARNESS All, With Dual Auxiliary Camper Battery Option, Secondary Battery To Junction Block & Relay	\$132.00	M
BACKUP LAMP EXTENSION HARNESS				
30645	1962	BACKUP LAMP EXTENSION HARNESS Firewall To Rear Frame Connector	\$27.00	
30645	1963	BACKUP LAMP EXTENSION HARNESS Firewall To Rear Frame Connector	\$27.00	
30645	1964	BACKUP LAMP EXTENSION HARNESS Firewall To Rear Frame Connector	\$27.00	
30645	1965	BACKUP LAMP EXTENSION HARNESS Firewall To Rear Frame Connector	\$27.00	
30645	1966	BACKUP LAMP EXTENSION HARNESS Firewall To Rear Frame Connector	\$27.00	
BACKUP LAMP HARNESS				
19930	1962	BACKUP LAMP HARNESS Rear Frame Connector To Backup Lamps, Except Suburban	\$30.00	
19930	1963	BACKUP LAMP HARNESS Rear Frame Connector To Backup Lamps, Except Suburban	\$30.00	
19930	1964	BACKUP LAMP HARNESS Rear Frame Connector To Backup Lamps, Except Suburban	\$30.00	
19930	1965	BACKUP LAMP HARNESS Rear Frame Connector To Backup Lamps, Except Suburban	\$30.00	
19930	1966	BACKUP LAMP HARNESS Rear Frame Connector To Backup Lamps, Except Suburban	\$30.00	
BACKUP LAMP SWITCH HARNESS				
39770	1974	BACKUP LAMP SWITCH HARNESS With 4 Speed Trans, Backup Lamp Switch To Extension Harness	\$48.00	M
37500	1975	BACKUP LAMP SWITCH HARNESS With 4 Speed Trans, Backup Lamp Switch To Extension Harness	\$48.00	M
37500	1976	BACKUP LAMP SWITCH HARNESS With 4 Speed Trans, Backup Lamp Switch To Extension Harness	\$48.00	M
37500	1977	BACKUP LAMP SWITCH HARNESS With 4 Speed Trans, Backup Lamp Switch To Extension Harness	\$48.00	M
37500	1978	BACKUP LAMP SWITCH HARNESS With 4 Speed Trans, Backup Lamp Switch To Extension Harness	\$48.00	M
37500	1979	BACKUP LAMP SWITCH HARNESS With 4 Speed Trans, Backup Lamp Switch To Extension Harness	\$48.00	M
37500	1980	BACKUP LAMP SWITCH HARNESS With 4 Speed Trans, Backup Lamp Switch To Extension Harness	\$48.00	M
39989	1981	BACKUP LAMP SWITCH HARNESS With 4 Speed Trans, Switch To Extension Harness	\$48.00	M
39989	1982	BACKUP LAMP SWITCH HARNESS With 4 Speed Trans, Except New Process, Switch To Extension Harness	\$48.00	M
37537	1982	BACKUP LAMP SWITCH HARNESS With New Process 4 Speed Trans, Switch To Extension Harness	\$48.00	M
BATTERY CABLE JUNCTION BLOCK				
03882795	1967	BATTERY CABLE JUNCTION BLOCK For Positive Cable Secondary Lead, Also Used With Auxiliary Camper Battery Harness	\$11.00	N
03882795	1968	BATTERY CABLE JUNCTION BLOCK For Positive Cable Secondary Lead, Also Used With Auxiliary Camper Battery Harness	\$11.00	N
03882795	1969	BATTERY CABLE JUNCTION BLOCK For Positive Cable Secondary Lead, Also Used With Auxiliary Camper Battery Harness	\$11.00	N
03882795	1970	BATTERY CABLE JUNCTION BLOCK For Positive Cable Secondary Lead, Also Used With Auxiliary Camper Battery Harness	\$11.00	N
03882795	1971	BATTERY CABLE JUNCTION BLOCK For Positive Cable Secondary Lead, Also Used With Auxiliary Camper Battery Harness	\$11.00	N
03882795	1972	BATTERY CABLE JUNCTION BLOCK For Positive Cable Secondary Lead, Also Used With Auxiliary Camper Battery Harness	\$11.00	N
BATTERY CABLE-NEGATIVE				
03005	1960	BATTERY CABLE, SPRING RING Neg, 6 Cylinder Note: 6 Cylinder Items Are Not Returnable.	\$69.00	
03000	1960	BATTERY CABLE, SPRING RING Neg, V/8	\$69.00	

Part Number	Year	Description	Price	*Rev.
03720	1961	BATTERY CABLE, SPRING RING Neg, All	\$69.00	
04135	1962	BATTERY CABLE, SPRING RING Neg, 6 Cylinder Note: 6 Cylinder Items Are Not Returnable.	\$69.00	
03720	1962	BATTERY CABLE, SPRING RING Neg, V/8	\$69.00	
04135	1963	BATTERY CABLE, SPRING RING Neg, 6 Cylinder, Except Accessory A/C Note: 6 Cylinder Items Are Not Returnable.	\$69.00	
03005	1963	BATTERY CABLE, SPRING RING Neg, 6 Cylinder, With Accessory A/C Note: 6 Cylinder Items Are Not Returnable.	\$69.00	
03720	1963	BATTERY CABLE, SPRING RING Neg, V/8	\$69.00	
05515	1964	BATTERY CABLE, SPRING RING Neg, 6 Cylinder Note: 6 Cylinder Items Are Not Returnable.	\$69.00	
04870	1964	BATTERY CABLE, SPRING RING Neg, V/8	\$69.00	
05515	1965	BATTERY CABLE, SPRING RING Neg, 6 Cylinder Note: 6 Cylinder Items Are Not Returnable.	\$69.00	
04870	1965	BATTERY CABLE, SPRING RING Neg, V/8	\$69.00	
05515	1966	BATTERY CABLE, SPRING RING Neg, 6 Cylinder Note: 6 Cylinder Items Are Not Returnable.	\$69.00	
04870	1966	BATTERY CABLE, SPRING RING Neg, V/8	\$69.00	
BATTERY CABLE-POSITIVE				
30615	1955	BATTERY CABLE, TOP POST Pos, 6 Cylinder Note: 6 Cylinder Items Are Not Returnable.	\$63.00	
29405	1955	BATTERY CABLE, TOP POST Pos, V/8	\$63.00	
30615	1956	BATTERY CABLE, TOP POST Pos, 6 Cylinder Note: 6 Cylinder Items Are Not Returnable.	\$63.00	
29405	1956	BATTERY CABLE, TOP POST Pos, V/8	\$63.00	
30615	1957	BATTERY CABLE, TOP POST Pos, 6 Cylinder Note: 6 Cylinder Items Are Not Returnable.	\$63.00	
29405	1957	BATTERY CABLE, TOP POST Pos, V/8	\$63.00	
30615	1958	BATTERY CABLE, TOP POST Pos, 6 Cylinder Note: 6 Cylinder Items Are Not Returnable.	\$63.00	
29405	1958	BATTERY CABLE, TOP POST Pos, V/8, With Auto Trans	\$63.00	
30610	1958	BATTERY CABLE, TOP POST Pos, V/8, With Manual Trans	\$63.00	
30615	1959	BATTERY CABLE, TOP POST Pos, 6 Cylinder Note: 6 Cylinder Items Are Not Returnable.	\$63.00	
29405	1959	BATTERY CABLE, TOP POST Pos, V/8, With Auto Trans	\$63.00	
30610	1959	BATTERY CABLE, TOP POST Pos, V/8, With Manual Trans	\$63.00	
21290	1960	BATTERY CABLE, SPRING RING Pos, All	\$69.00	
21350	1961	BATTERY CABLE, SPRING RING Pos, All	\$69.00	
21350	1962	BATTERY CABLE, SPRING RING Pos, All	\$69.00	
03930	1963	BATTERY CABLE, SPRING RING Pos, All, With A/C	\$69.00	
21125	1963	BATTERY CABLE, SPRING RING Pos, All, Without A/C	\$69.00	
03930	1964	BATTERY CABLE, SPRING RING Pos, All, With A/C	\$69.00	
21125	1964	BATTERY CABLE, SPRING RING Pos, All, Without A/C	\$69.00	
03930	1965	BATTERY CABLE, SPRING RING Pos, All, With A/C	\$69.00	
21125	1965	BATTERY CABLE, SPRING RING Pos, All, Without A/C	\$69.00	
03930	1966	BATTERY CABLE, SPRING RING Pos, All, With A/C	\$69.00	
21125	1966	BATTERY CABLE, SPRING RING Pos, All, Without A/C	\$69.00	

Part Number	Year	Description	Price	*Rev.
BATTERY GROUND STRAP				
21595	1955	BATTERY GROUND STRAP Neg, 6 Cylinder & V/8 Note: 6 Cylinder Items Are Not Returnable.	\$63.00	
21595	1956	BATTERY GROUND STRAP Neg, 6 Cylinder & V/8 Note: 6 Cylinder Items Are Not Returnable.	\$63.00	
21595	1957	BATTERY GROUND STRAP Neg, 6 Cylinder & V/8 Note: 6 Cylinder Items Are Not Returnable.	\$63.00	
21595	1958	BATTERY GROUND STRAP Neg, 6 Cylinder & V/8 Note: 6 Cylinder Items Are Not Returnable.	\$63.00	
21595	1959	BATTERY GROUND STRAP Neg, 6 Cylinder & V/8 Note: 6 Cylinder Items Are Not Returnable.	\$63.00	
BRAKE WARNING SWITCH JUMPER				
39757	1973	BRAKE WARNING SWITCH JUMPER 2 Wheel Drive, Brake Warning Switch To Front Light Harness	\$34.00	M
39758	1973	BRAKE WARNING SWITCH JUMPER 4 Wheel Drive, Brake Warning Switch To Front Light Harness	\$34.00	M
39757	1974	BRAKE WARNING SWITCH JUMPER 2 Wheel Drive, Brake Warning Switch To Front Light Harness	\$34.00	M
39758	1974	BRAKE WARNING SWITCH JUMPER 4 Wheel Drive, Brake Warning Switch To Front Light Harness	\$34.00	M
39757	1975	BRAKE WARNING SWITCH JUMPER 2 Wheel Drive, Brake Warning Switch To Front Light Harness	\$34.00	M
39758	1975	BRAKE WARNING SWITCH JUMPER 4 Wheel Drive, Brake Warning Switch To Front Light Harness	\$34.00	M
39757	1976	BRAKE WARNING SWITCH JUMPER 2 Wheel Drive, Brake Warning Switch To Front Light Harness	\$34.00	M
39758	1976	BRAKE WARNING SWITCH JUMPER 4 Wheel Drive, Brake Warning Switch To Front Light Harness	\$34.00	M
39757	1977	BRAKE WARNING SWITCH JUMPER 2 Wheel Drive, Brake Warning Switch To Front Light Harness	\$34.00	M
39758	1977	BRAKE WARNING SWITCH JUMPER 4 Wheel Drive, Brake Warning Switch To Front Light Harness	\$34.00	M
39862	1978	BRAKE WARNING SWITCH JUMPER 2 Wheel Drive, Brake Warning Switch To Front Light Harness	\$41.00	M
39863	1978	BRAKE WARNING SWITCH JUMPER 4 Wheel Drive, Brake Warning Switch To Front Light Harness	\$41.00	M
39862	1979	BRAKE WARNING SWITCH JUMPER 2 Wheel Drive, Brake Warning Switch To Front Light Harness	\$41.00	M
39863	1979	BRAKE WARNING SWITCH JUMPER 4 Wheel Drive, Brake Warning Switch To Front Light Harness	\$41.00	M
39862	1980	BRAKE WARNING SWITCH JUMPER 2 Wheel Drive, Brake Warning Switch To Front Light Harness	\$41.00	M
39863	1980	BRAKE WARNING SWITCH JUMPER 4 Wheel Drive, Brake Warning Switch To Front Light Harness	\$41.00	M
39862	1981	BRAKE WARNING SWITCH JUMPER 2 Wheel Drive, Brake Warning Switch To Front Light Harness	\$41.00	M
39863	1981	BRAKE WARNING SWITCH JUMPER 4 Wheel Drive, Brake Warning Switch To Front Light Harness	\$41.00	M
39862	1982	BRAKE WARNING SWITCH JUMPER 2 Wheel Drive, Brake Warning Switch To Front Light Harness	\$41.00	M
39863	1982	BRAKE WARNING SWITCH JUMPER 4 Wheel Drive, Brake Warning Switch To Front Light Harness	\$41.00	M
BREAKERLESS SE SINGLE WIRE ELECTRONIC IGNITION				
38131	1957	BREAKERLESS SE SINGLE WIRE ELECTRONIC IGNITION KIT For 1957-74 Breaker Point Distributors With Windowed Type Distributor Cap	\$179.00	
38131	1958	BREAKERLESS SE SINGLE WIRE ELECTRONIC IGNITION KIT For 1957-74 Breaker Point Distributors With Windowed Type Distributor Cap	\$179.00	
38131	1959	BREAKERLESS SE SINGLE WIRE ELECTRONIC IGNITION KIT For 1957-74 Breaker Point Distributors With Windowed Type Distributor Cap	\$179.00	
38131	1960	BREAKERLESS SE SINGLE WIRE ELECTRONIC IGNITION KIT For 1957-74 Breaker Point Distributors With Windowed Type Distributor Cap	\$179.00	
38131	1961	BREAKERLESS SE SINGLE WIRE ELECTRONIC IGNITION KIT For 1957-74 Breaker Point Distributors With Windowed Type Distributor Cap	\$179.00	
38131	1962	BREAKERLESS SE SINGLE WIRE ELECTRONIC IGNITION KIT For 1957-74 Breaker Point Distributors With Windowed Type Distributor Cap	\$179.00	
38131	1963	BREAKERLESS SE SINGLE WIRE ELECTRONIC IGNITION KIT For 1957-74 Breaker Point Distributors With Windowed Type Distributor Cap	\$179.00	
38131	1964	BREAKERLESS SE SINGLE WIRE ELECTRONIC IGNITION KIT For 1957-74 Breaker Point Distributors With Windowed Type Distributor Cap	\$179.00	

Part Number	Year	Description	Price	*Rev.
38131	1965	BREAKERLESS SE SINGLE WIRE ELECTRONIC IGNITION KIT For 1957-74 Breaker Point Distributors With Windowed Type Distributor Cap	\$179.00	
38131	1966	BREAKERLESS SE SINGLE WIRE ELECTRONIC IGNITION KIT For 1957-74 Breaker Point Distributors With Windowed Type Distributor Cap	\$179.00	
38131	1967	BREAKERLESS SE SINGLE WIRE ELECTRONIC IGNITION KIT For 1957-74 Breaker Point Distributors With Windowed Type Distributor Cap	\$179.00	
38131	1968	BREAKERLESS SE SINGLE WIRE ELECTRONIC IGNITION KIT For 1957-74 Breaker Point Distributors With Windowed Type Distributor Cap	\$179.00	
38131	1969	BREAKERLESS SE SINGLE WIRE ELECTRONIC IGNITION KIT For 1957-74 Breaker Point Distributors With Windowed Type Distributor Cap	\$179.00	
38131	1970	BREAKERLESS SE SINGLE WIRE ELECTRONIC IGNITION KIT For 1957-74 Breaker Point Distributors With Windowed Type Distributor Cap	\$179.00	
38131	1971	BREAKERLESS SE SINGLE WIRE ELECTRONIC IGNITION KIT For 1957-74 Breaker Point Distributors With Windowed Type Distributor Cap	\$179.00	
38131	1972	BREAKERLESS SE SINGLE WIRE ELECTRONIC IGNITION KIT For 1957-74 Breaker Point Distributors With Windowed Type Distributor Cap	\$179.00	
38131	1973	BREAKERLESS SE SINGLE WIRE ELECTRONIC IGNITION KIT For 1957-74 Breaker Point Distributors With Windowed Type Distributor Cap	\$179.00	M
38131	1974	BREAKERLESS SE SINGLE WIRE ELECTRONIC IGNITION KIT For 1957-74 Breaker Point Distributors With Windowed Type Distributor Cap	\$179.00	M
CAMPER HARNESS				
40043	1976	CAMPER HARNESS Blazer Chinook, Rear Lamp Harness On Blazer, To Wiring Harness On Camper	\$120.00	M
40043	1977	CAMPER HARNESS Blazer Chinook, Rear Lamp Harness On Blazer, To Wiring Harness On Camper	\$120.00	M
CAMPER POWER FEED WIRE				
39788	1975	CAMPER POWER FEED WIRE Battery Junction Block To Wiring Harness On Camper	\$34.00	M
39811	1976	CAMPER POWER FEED WIRE Battery Junction Block To Wiring Harness On Camper	\$34.00	M
39811	1977	CAMPER POWER FEED WIRE Battery Junction Block To Wiring Harness On Camper	\$34.00	M
39811	1978	CAMPER POWER FEED WIRE Battery Junction Block To Wiring Harness On Camper	\$34.00	M
39811	1979	CAMPER POWER FEED WIRE Battery Junction Block To Wiring Harness On Camper	\$34.00	M
39919	1980	CAMPER POWER FEED WIRE Battery Junction Block To Wiring Harness On Camper	\$34.00	M
39919	1981	CAMPER POWER FEED WIRE Battery Junction Block To Wiring Harness On Camper	\$34.00	M
39919	1982	CAMPER POWER FEED WIRE Battery Junction Block To Wiring Harness On Camper	\$34.00	M
CAMPER REAR LAMP HARNESS				
39717	1973	CAMPER REAR LAMP HARNESS All With Camper Option, Rear Lamp Harness On Truck, To Tail Lamp Harness On Camper Note: this harness is universal, it can be used with all types of campers.	\$101.00	M
39717	1974	CAMPER REAR LAMP HARNESS All With Camper Option, Rear Lamp Harness On Truck, To Tail Lamp Harness On Camper Note: this harness is universal, it can be used with all types of campers.	\$101.00	M
39784	1975	CAMPER REAR LAMP HARNESS All With Camper Option, Rear Lamp Harness On Truck, To Tail Lamp Harness On Camper Note: this harness is universal, it can be used with all types of campers.	\$101.00	M
39784	1976	CAMPER REAR LAMP HARNESS All With Camper Option, Rear Lamp Harness On Truck, To Tail Lamp Harness On Camper Note: this harness is universal, it can be used with all types of campers.	\$101.00	M
39784	1977	CAMPER REAR LAMP HARNESS All With Camper Option, Rear Lamp Harness On Truck, To Tail Lamp Harness On Camper Note: this harness is universal, it can be used with all types of campers.	\$101.00	M
39784	1978	CAMPER REAR LAMP HARNESS All With Camper Option, Rear Lamp Harness On Truck, To Tail Lamp Harness On Camper Note: this harness is universal, it can be used with all types of campers.	\$101.00	M

Part Number	Year	Description	Price	*Rev.
39784	1979	CAMPER REAR LAMP HARNESS All With Camper Option, Rear Lamp Harness On Truck, To Tail Lamp Harness On Camper Note: this harness is universal, it can be used with all types of campers.	\$101.00	M
39784	1980	CAMPER REAR LAMP HARNESS All With Camper Option, Rear Lamp Harness On Truck, To Tail Lamp Harness On Camper Note: this harness is universal, it can be used with all types of campers.	\$101.00	M
39784	1981	CAMPER REAR LAMP HARNESS All With Camper Option, Rear Lamp Harness On Truck, To Tail Lamp Harness On Camper Note: this harness is universal, it can be used with all types of campers.	\$101.00	M
39784	1982	CAMPER REAR LAMP HARNESS All With Camper Option, Rear Lamp Harness On Truck, To Tail Lamp Harness On Camper Note: this harness is universal, it can be used with all types of campers.	\$101.00	M
CARGO LAMP HARNESS				
30850	1969	CARGO LAMP HARNESS External, Above Cab Rear Window	\$48.00	
30850	1970	CARGO LAMP HARNESS External, Above Cab Rear Window	\$48.00	
30850	1971	CARGO LAMP HARNESS External, Above Cab Rear Window	\$48.00	
30850	1972	CARGO LAMP HARNESS External, Above Cab Rear Window	\$48.00	
39715	1973	CARGO LAMP HARNESS 2 Door Trucks, With Cargo Lamp Option	\$92.00	M
39733	1973	CARGO LAMP HARNESS 4 Door Trucks, With Cargo Lamp Option	\$92.00	M
39715	1974	CARGO LAMP HARNESS 2 Door Trucks, With Cargo Lamp Option	\$92.00	M
39733	1974	CARGO LAMP HARNESS 4 Door Trucks, With Cargo Lamp Option	\$92.00	M
39715	1975	CARGO LAMP HARNESS 2 Door Trucks, With Cargo Lamp Option	\$92.00	M
39733	1975	CARGO LAMP HARNESS 4 Door Trucks, With Cargo Lamp Option	\$92.00	M
39715	1976	CARGO LAMP HARNESS 2 Door Trucks, With Cargo Lamp Option	\$92.00	M
39804	1976	CARGO LAMP HARNESS 4 Door Trucks, With Cargo Lamp Option	\$92.00	M
39804	1977	CARGO LAMP HARNESS 4 Door Trucks, With Cargo Lamp Option	\$92.00	M
39850	1977	CARGO LAMP HARNESS 2 Door Trucks, With Cargo Lamp Option	\$92.00	M
39804	1978	CARGO LAMP HARNESS 4 Door Trucks, With Cargo Lamp Option	\$92.00	M
39850	1978	CARGO LAMP HARNESS 2 Door Trucks, With Cargo Lamp Option	\$92.00	M
39804	1979	CARGO LAMP HARNESS 4 Door Trucks, With Cargo Lamp Option	\$92.00	M
39850	1979	CARGO LAMP HARNESS 2 Door Trucks, With Cargo Lamp Option	\$92.00	M
39804	1980	CARGO LAMP HARNESS 4 Door Trucks, With Cargo Lamp Option	\$92.00	M
39850	1980	CARGO LAMP HARNESS 2 Door Trucks, With Cargo Lamp Option	\$92.00	M
39804	1981	CARGO LAMP HARNESS 4 Door Trucks, With Cargo Lamp Option	\$92.00	M
39850	1981	CARGO LAMP HARNESS 2 Door Trucks, With Cargo Lamp Option	\$92.00	M
39804	1982	CARGO LAMP HARNESS 4 Door Trucks, With Cargo Lamp Option	\$92.00	M
39850	1982	CARGO LAMP HARNESS 2 Door Trucks, With Cargo Lamp Option	\$92.00	M
CARGO LAMP SWITCH				
03959232	1969	CARGO LAMP SWITCH	\$19.50	N
03959232	1970	CARGO LAMP SWITCH	\$19.50	N
03959232	1971	CARGO LAMP SWITCH	\$19.50	N
03959232	1972	CARGO LAMP SWITCH	\$19.50	N
00329821	1973	CARGO LAMP SWITCH	\$27.00	N
00329821	1974	CARGO LAMP SWITCH	\$27.00	N
00339880	1975	CARGO LAMP SWITCH	\$21.00	N
00339880	1976	CARGO LAMP SWITCH	\$21.00	N
00339880	1977	CARGO LAMP SWITCH	\$21.00	N
00339880	1978	CARGO LAMP SWITCH	\$21.00	N

Part Number	Year	Description	Price	*Rev.
00339880	1979	CARGO LAMP SWITCH	\$21.00	N
00339880	1980	CARGO LAMP SWITCH	\$21.00	N
00339880	1981	CARGO LAMP SWITCH	\$21.00	N
00339880	1982	CARGO LAMP SWITCH	\$21.00	N
00339880	1983	CARGO LAMP SWITCH	\$21.00	N
00339880	1984	CARGO LAMP SWITCH	\$21.00	N
00339880	1985	CARGO LAMP SWITCH	\$21.00	N
00339880	1986	CARGO LAMP SWITCH	\$21.00	N
00339880	1987	CARGO LAMP SWITCH RV Body Style	\$21.00	N
CIGARETTE LIGHTER WIRE				
19935	1960	CIGARETTE LIGHTER WIRE	\$14.00	
19935	1961	CIGARETTE LIGHTER WIRE	\$14.00	
19935	1962	CIGARETTE LIGHTER WIRE	\$14.00	
19935	1963	CIGARETTE LIGHTER WIRE	\$14.00	
19935	1964	CIGARETTE LIGHTER WIRE	\$14.00	
19935	1965	CIGARETTE LIGHTER WIRE	\$14.00	
19935	1966	CIGARETTE LIGHTER WIRE	\$14.00	
CIRCUIT BREAKER				
04850166	1973	CIRCUIT BREAKER, 30 AMP Power Tailgate Window, Blazer, Jimmy & Suburban	\$14.00	M
04850166	1974	CIRCUIT BREAKER, 30 AMP Power Tailgate Window, Blazer, Jimmy & Suburban	\$14.00	M
04850166	1975	CIRCUIT BREAKER, 30 AMP Power Tailgate Window, Blazer, Jimmy & Suburban	\$14.00	M
04850166	1976	CIRCUIT BREAKER, 30 AMP Power Tailgate Window, Blazer, Jimmy & Suburban	\$14.00	M
04850166	1977	CIRCUIT BREAKER, 30 AMP Power Tailgate Window, Blazer, Jimmy & Suburban	\$14.00	M
04850166	1978	CIRCUIT BREAKER, 30 AMP Power Tailgate Window, Blazer, Jimmy & Suburban	\$14.00	M
CLASSIC AUTO FUSE SERIES-11-WAY CONNECTOR KIT				
41355	1967	CLASSIC AUTO FUSE SERIES-11-WAY CONNECTOR KIT Includes Male & Female Connectors And Terminals Note: Used With 1967-78 Chevy Truck Classic Auto Fuse Series ATO Fuse Type Dash Harnesses.	\$26.00	
41355	1968	CLASSIC AUTO FUSE SERIES-11-WAY CONNECTOR KIT Includes Male & Female Connectors And Terminals Note: Used With 1967-78 Chevy Truck Classic Auto Fuse Series ATO Fuse Type Dash Harnesses.	\$26.00	
41355	1969	CLASSIC AUTO FUSE SERIES-11-WAY CONNECTOR KIT Includes Male & Female Connectors And Terminals Note: Used With 1967-78 Chevy Truck Classic Auto Fuse Series ATO Fuse Type Dash Harnesses.	\$26.00	
41355	1970	CLASSIC AUTO FUSE SERIES-11-WAY CONNECTOR KIT Includes Male & Female Connectors And Terminals Note: Used With 1967-78 Chevy Truck Classic Auto Fuse Series ATO Fuse Type Dash Harnesses.	\$26.00	
41355	1971	CLASSIC AUTO FUSE SERIES-11-WAY CONNECTOR KIT Includes Male & Female Connectors And Terminals Note: Used With 1967-78 Chevy Truck Classic Auto Fuse Series ATO Fuse Type Dash Harnesses.	\$26.00	
41355	1972	CLASSIC AUTO FUSE SERIES-11-WAY CONNECTOR KIT Includes Male & Female Connectors And Terminals Note: Used With 1967-78 Chevy Truck Classic Auto Fuse Series ATO Fuse Type Dash Harnesses.	\$26.00	
41355	1973	CLASSIC AUTO FUSE SERIES-11-WAY CONNECTOR KIT Includes Male & Female Connectors And Terminals Note: Used With 1967-78 Chevy Truck Classic Auto Fuse Series ATO Fuse Type Dash Harnesses.	\$26.00	M
41355	1974	CLASSIC AUTO FUSE SERIES-11-WAY CONNECTOR KIT Includes Male & Female Connectors And Terminals Note: Used With 1967-78 Chevy Truck Classic Auto Fuse Series ATO Fuse Type Dash Harnesses.	\$26.00	M
41355	1975	CLASSIC AUTO FUSE SERIES-11-WAY CONNECTOR KIT Includes Male & Female Connectors And Terminals Note: Used With 1967-78 Chevy Truck Classic Auto Fuse Series ATO Fuse Type Dash Harnesses.	\$26.00	M
41355	1976	CLASSIC AUTO FUSE SERIES-11-WAY CONNECTOR KIT Includes Male & Female Connectors And Terminals Note: Used With 1967-78 Chevy Truck Classic Auto Fuse Series ATO Fuse Type Dash Harnesses.	\$26.00	M
41355	1977	CLASSIC AUTO FUSE SERIES-11-WAY CONNECTOR KIT Includes Male & Female Connectors And Terminals Note: Used With 1967-78 Chevy Truck Classic Auto Fuse Series ATO Fuse Type Dash Harnesses.	\$26.00	M

Part Number	Year	Description	Price	*Rev.
41355	1978	CLASSIC AUTO FUSE SERIES-11-WAY CONNECTOR KIT Includes Male & Female Connectors And Terminals Note: Used With 1967-78 Chevy Truck Classic Auto Fuse Series ATO Fuse Type Dash Harnesses.	\$26.00	M
CLASSIC AUTO FUSE SERIES-6-WAY ACCESSORY KIT				
41359	1967	CLASSIC AUTO FUSE SERIES-6-WAY ACCESSORY FUSEBLOCK KIT Includes 6-Way Accessory Fuseblock, & Terminal Bus Bars Note: Used With 1967-78 Chevy Truck Classic Auto Fuse Series ATO Fuse Type Dash Harnesses.	\$21.00	
41359	1968	CLASSIC AUTO FUSE SERIES-6-WAY ACCESSORY FUSEBLOCK KIT Includes 6-Way Accessory Fuseblock, & Terminal Bus Bars Note: Used With 1967-78 Chevy Truck Classic Auto Fuse Series ATO Fuse Type Dash Harnesses.	\$21.00	
41359	1969	CLASSIC AUTO FUSE SERIES-6-WAY ACCESSORY FUSEBLOCK KIT Includes 6-Way Accessory Fuseblock, & Terminal Bus Bars Note: Used With 1967-78 Chevy Truck Classic Auto Fuse Series ATO Fuse Type Dash Harnesses.	\$21.00	
41359	1970	CLASSIC AUTO FUSE SERIES-6-WAY ACCESSORY FUSEBLOCK KIT Includes 6-Way Accessory Fuseblock, & Terminal Bus Bars Note: Used With 1967-78 Chevy Truck Classic Auto Fuse Series ATO Fuse Type Dash Harnesses.	\$21.00	
41359	1971	CLASSIC AUTO FUSE SERIES-6-WAY ACCESSORY FUSEBLOCK KIT Includes 6-Way Accessory Fuseblock, & Terminal Bus Bars Note: Used With 1967-78 Chevy Truck Classic Auto Fuse Series ATO Fuse Type Dash Harnesses.	\$21.00	
41359	1972	CLASSIC AUTO FUSE SERIES-6-WAY ACCESSORY FUSEBLOCK KIT Includes 6-Way Accessory Fuseblock, & Terminal Bus Bars Note: Used With 1967-78 Chevy Truck Classic Auto Fuse Series ATO Fuse Type Dash Harnesses.	\$21.00	
41359	1973	CLASSIC AUTO FUSE SERIES-6-WAY ACCESSORY FUSEBLOCK KIT Includes 6-Way Accessory Fuseblock, & Terminal Bus Bars Note: Used With 1967-78 Chevy Truck Classic Auto Fuse Series ATO Fuse Type Dash Harnesses.	\$21.00	M
41359	1974	CLASSIC AUTO FUSE SERIES-6-WAY ACCESSORY FUSEBLOCK KIT Includes 6-Way Accessory Fuseblock, & Terminal Bus Bars Note: Used With 1967-78 Chevy Truck Classic Auto Fuse Series ATO Fuse Type Dash Harnesses.	\$21.00	M
41359	1975	CLASSIC AUTO FUSE SERIES-6-WAY ACCESSORY FUSEBLOCK KIT Includes 6-Way Accessory Fuseblock, & Terminal Bus Bars Note: Used With 1967-78 Chevy Truck Classic Auto Fuse Series ATO Fuse Type Dash Harnesses.	\$21.00	M
41359	1976	CLASSIC AUTO FUSE SERIES-6-WAY ACCESSORY FUSEBLOCK KIT Includes 6-Way Accessory Fuseblock, & Terminal Bus Bars Note: Used With 1967-78 Chevy Truck Classic Auto Fuse Series ATO Fuse Type Dash Harnesses.	\$21.00	M
41359	1977	CLASSIC AUTO FUSE SERIES-6-WAY ACCESSORY FUSEBLOCK KIT Includes 6-Way Accessory Fuseblock, & Terminal Bus Bars Note: Used With 1967-78 Chevy Truck Classic Auto Fuse Series ATO Fuse Type Dash Harnesses.	\$21.00	M
41359	1978	CLASSIC AUTO FUSE SERIES-6-WAY ACCESSORY FUSEBLOCK KIT Includes 6-Way Accessory Fuseblock, & Terminal Bus Bars Note: Used With 1967-78 Chevy Truck Classic Auto Fuse Series ATO Fuse Type Dash Harnesses.	\$21.00	M
CLASSIC AUTO FUSE SERIES-FUSE AND FLASHER KIT				
40355	1967	CLASSIC AUTO FUSE SERIES-FUSE AND FLASHER KIT Includes Flashers, Fuses & Circuit Breakers, Also Includes 1 Each Spare Fuse Note: Used With 1967-72 Chevy Truck Classic Auto Fuse Series ATO Fuse Type Dash Harnesses.	\$40.00	
40355	1968	CLASSIC AUTO FUSE SERIES-FUSE AND FLASHER KIT Includes Flashers, Fuses & Circuit Breakers, Also Includes 1 Each Spare Fuse Note: Used With 1967-72 Chevy Truck Classic Auto Fuse Series ATO Fuse Type Dash Harnesses.	\$40.00	
40355	1969	CLASSIC AUTO FUSE SERIES-FUSE AND FLASHER KIT Includes Flashers, Fuses & Circuit Breakers, Also Includes 1 Each Spare Fuse Note: Used With 1967-72 Chevy Truck Classic Auto Fuse Series ATO Fuse Type Dash Harnesses.	\$40.00	
40355	1970	CLASSIC AUTO FUSE SERIES-FUSE AND FLASHER KIT Includes Flashers, Fuses & Circuit Breakers, Also Includes 1 Each Spare Fuse Note: Used With 1967-72 Chevy Truck Classic Auto Fuse Series ATO Fuse Type Dash Harnesses.	\$40.00	

Part Number	Year	Description	Price	*Rev.
40355	1971	CLASSIC AUTO FUSE SERIES-FUSE AND FLASHER KIT Includes Flashers, Fuses & Circuit Breakers, Also Includes 1 Each Spare Fuse Note: Used With 1967-72 Chevy Truck Classic Auto Fuse Series ATO Fuse Type Dash Harnesses.	\$40.00	
40355	1972	CLASSIC AUTO FUSE SERIES-FUSE AND FLASHER KIT Includes Flashers, Fuses & Circuit Breakers, Also Includes 1 Each Spare Fuse Note: Used With 1967-72 Chevy Truck Classic Auto Fuse Series ATO Fuse Type Dash Harnesses.	\$40.00	
40356	1973	CLASSIC AUTO FUSE SERIES-FUSE AND FLASHER KIT Includes Flashers, Fuses & Circuit Breakers, Also Includes 1 Each Spare Fuse Note: Used With 1973-74 Chevy Truck Classic Auto Fuse Series ATO Fuse Type Dash Harnesses.	\$40.00	M
40356	1974	CLASSIC AUTO FUSE SERIES-FUSE AND FLASHER KIT Includes Flashers, Fuses & Circuit Breakers, Also Includes 1 Each Spare Fuse Note: Used With 1973-74 Chevy Truck Classic Auto Fuse Series ATO Fuse Type Dash Harnesses.	\$40.00	M
40357	1975	CLASSIC AUTO FUSE SERIES-FUSE AND FLASHER KIT Includes Flashers, Fuses & Circuit Breakers, Also Includes 1 Each Spare Fuse Note: Used With 1975-78 Chevy Truck Classic Auto Fuse Series ATO Fuse Type Dash Harnesses.	\$40.00	M
40357	1976	CLASSIC AUTO FUSE SERIES-FUSE AND FLASHER KIT Includes Flashers, Fuses & Circuit Breakers, Also Includes 1 Each Spare Fuse Note: Used With 1975-78 Chevy Truck Classic Auto Fuse Series ATO Fuse Type Dash Harnesses.	\$40.00	M
40357	1977	CLASSIC AUTO FUSE SERIES-FUSE AND FLASHER KIT Includes Flashers, Fuses & Circuit Breakers, Also Includes 1 Each Spare Fuse Note: Used With 1975-78 Chevy Truck Classic Auto Fuse Series ATO Fuse Type Dash Harnesses.	\$40.00	M
40357	1978	CLASSIC AUTO FUSE SERIES-FUSE AND FLASHER KIT Includes Flashers, Fuses & Circuit Breakers, Also Includes 1 Each Spare Fuse Note: Used With 1975-78 Chevy Truck Classic Auto Fuse Series ATO Fuse Type Dash Harnesses.	\$40.00	M
CLASSIC AUTO FUSE SERIES-FUSEBLOCK CONN KIT				
41358	1967	CLASSIC AUTO FUSE SERIES-FRONT OF FUSEBLOCK ACCESSORY CONNECTOR KIT Includes Front Of Fuseblock Accessory Connectors & Terminals Note: Used With 1967-78 Chevy Truck Classic Auto Fuse Series ATO Fuse Type Dash Harnesses.	\$33.00	
41358	1968	CLASSIC AUTO FUSE SERIES-FRONT OF FUSEBLOCK ACCESSORY CONNECTOR KIT Includes Front Of Fuseblock Accessory Connectors & Terminals Note: Used With 1967-78 Chevy Truck Classic Auto Fuse Series ATO Fuse Type Dash Harnesses.	\$33.00	
41358	1969	CLASSIC AUTO FUSE SERIES-FRONT OF FUSEBLOCK ACCESSORY CONNECTOR KIT Includes Front Of Fuseblock Accessory Connectors & Terminals Note: Used With 1967-78 Chevy Truck Classic Auto Fuse Series ATO Fuse Type Dash Harnesses.	\$33.00	
41358	1970	CLASSIC AUTO FUSE SERIES-FRONT OF FUSEBLOCK ACCESSORY CONNECTOR KIT Includes Front Of Fuseblock Accessory Connectors & Terminals Note: Used With 1967-78 Chevy Truck Classic Auto Fuse Series ATO Fuse Type Dash Harnesses.	\$33.00	
41358	1971	CLASSIC AUTO FUSE SERIES-FRONT OF FUSEBLOCK ACCESSORY CONNECTOR KIT Includes Front Of Fuseblock Accessory Connectors & Terminals Note: Used With 1967-78 Chevy Truck Classic Auto Fuse Series ATO Fuse Type Dash Harnesses.	\$33.00	
41358	1972	CLASSIC AUTO FUSE SERIES-FRONT OF FUSEBLOCK ACCESSORY CONNECTOR KIT Includes Front Of Fuseblock Accessory Connectors & Terminals Note: Used With 1967-78 Chevy Truck Classic Auto Fuse Series ATO Fuse Type Dash Harnesses.	\$33.00	
41358	1973	CLASSIC AUTO FUSE SERIES-FRONT OF FUSEBLOCK ACCESSORY CONNECTOR KIT Includes Front Of Fuseblock Accessory Connectors & Terminals Note: Used With 1967-78 Chevy Truck Classic Auto Fuse Series ATO Fuse Type Dash Harnesses.	\$33.00	M
41358	1974	CLASSIC AUTO FUSE SERIES-FRONT OF FUSEBLOCK ACCESSORY CONNECTOR KIT Includes Front Of Fuseblock Accessory Connectors & Terminals Note: Used With 1967-78 Chevy Truck Classic Auto Fuse Series ATO Fuse Type Dash Harnesses.	\$33.00	M
41358	1975	CLASSIC AUTO FUSE SERIES-FRONT OF FUSEBLOCK ACCESSORY CONNECTOR KIT Includes Front Of Fuseblock Accessory Connectors & Terminals Note: Used With 1967-78 Chevy Truck Classic Auto Fuse Series ATO Fuse Type Dash Harnesses.	\$33.00	M

Part Number	Year	Description	Price	*Rev.
41358	1976	CLASSIC AUTO FUSE SERIES-FRONT OF FUSEBLOCK ACCESSORY CONNECTOR KIT Includes Front Of Fuseblock Accessory Connectors & Terminals Note: Used With 1967-78 Chevy Truck Classic Auto Fuse Series ATO Fuse Type Dash Harnesses.	\$33.00	M
41358	1977	CLASSIC AUTO FUSE SERIES-FRONT OF FUSEBLOCK ACCESSORY CONNECTOR KIT Includes Front Of Fuseblock Accessory Connectors & Terminals Note: Used With 1967-78 Chevy Truck Classic Auto Fuse Series ATO Fuse Type Dash Harnesses.	\$33.00	M
41358	1978	CLASSIC AUTO FUSE SERIES-FRONT OF FUSEBLOCK ACCESSORY CONNECTOR KIT Includes Front Of Fuseblock Accessory Connectors & Terminals Note: Used With 1967-78 Chevy Truck Classic Auto Fuse Series ATO Fuse Type Dash Harnesses.	\$33.00	M
CLASSIC AUTO FUSE SERIES-RELAY AND CONNECTOR KIT				
41356	1967	CLASSIC AUTO FUSE SERIES-RELAY AND CONNECTOR KIT Includes Relay, 5-Way Relay Connector, Terminals & Secondary Lock Note: Used With 1967-78 Chevy Truck Classic Auto Fuse Series ATO Fuse Type Dash Harnesses.	\$24.00	
41356	1968	CLASSIC AUTO FUSE SERIES-RELAY AND CONNECTOR KIT Includes Relay, 5-Way Relay Connector, Terminals & Secondary Lock Note: Used With 1967-78 Chevy Truck Classic Auto Fuse Series ATO Fuse Type Dash Harnesses.	\$24.00	
41356	1969	CLASSIC AUTO FUSE SERIES-RELAY AND CONNECTOR KIT Includes Relay, 5-Way Relay Connector, Terminals & Secondary Lock Note: Used With 1967-78 Chevy Truck Classic Auto Fuse Series ATO Fuse Type Dash Harnesses.	\$24.00	
41356	1970	CLASSIC AUTO FUSE SERIES-RELAY AND CONNECTOR KIT Includes Relay, 5-Way Relay Connector, Terminals & Secondary Lock Note: Used With 1967-78 Chevy Truck Classic Auto Fuse Series ATO Fuse Type Dash Harnesses.	\$24.00	
41356	1971	CLASSIC AUTO FUSE SERIES-RELAY AND CONNECTOR KIT Includes Relay, 5-Way Relay Connector, Terminals & Secondary Lock Note: Used With 1967-78 Chevy Truck Classic Auto Fuse Series ATO Fuse Type Dash Harnesses.	\$24.00	
41356	1972	CLASSIC AUTO FUSE SERIES-RELAY AND CONNECTOR KIT Includes Relay, 5-Way Relay Connector, Terminals & Secondary Lock Note: Used With 1967-78 Chevy Truck Classic Auto Fuse Series ATO Fuse Type Dash Harnesses.	\$24.00	
41356	1973	CLASSIC AUTO FUSE SERIES-RELAY AND CONNECTOR KIT Includes Relay, 5-Way Relay Connector, Terminals & Secondary Lock Note: Used With 1967-78 Chevy Truck Classic Auto Fuse Series ATO Fuse Type Dash Harnesses.	\$24.00	M
41356	1974	CLASSIC AUTO FUSE SERIES-RELAY AND CONNECTOR KIT Includes Relay, 5-Way Relay Connector, Terminals & Secondary Lock Note: Used With 1967-78 Chevy Truck Classic Auto Fuse Series ATO Fuse Type Dash Harnesses.	\$24.00	M
41356	1975	CLASSIC AUTO FUSE SERIES-RELAY AND CONNECTOR KIT Includes Relay, 5-Way Relay Connector, Terminals & Secondary Lock Note: Used With 1967-78 Chevy Truck Classic Auto Fuse Series ATO Fuse Type Dash Harnesses.	\$24.00	M
41356	1976	CLASSIC AUTO FUSE SERIES-RELAY AND CONNECTOR KIT Includes Relay, 5-Way Relay Connector, Terminals & Secondary Lock Note: Used With 1967-78 Chevy Truck Classic Auto Fuse Series ATO Fuse Type Dash Harnesses.	\$24.00	M
41356	1977	CLASSIC AUTO FUSE SERIES-RELAY AND CONNECTOR KIT Includes Relay, 5-Way Relay Connector, Terminals & Secondary Lock Note: Used With 1967-78 Chevy Truck Classic Auto Fuse Series ATO Fuse Type Dash Harnesses.	\$24.00	M
41356	1978	CLASSIC AUTO FUSE SERIES-RELAY AND CONNECTOR KIT Includes Relay, 5-Way Relay Connector, Terminals & Secondary Lock Note: Used With 1967-78 Chevy Truck Classic Auto Fuse Series ATO Fuse Type Dash Harnesses.	\$24.00	M
CLOCK				
06499466	1973	CLOCK Dash Mounted	\$100.00	N
06499466	1974	CLOCK Dash Mounted	\$100.00	N
06499466	1975	CLOCK Dash Mounted	\$100.00	N
06499466	1976	CLOCK Dash Mounted	\$100.00	N
06499466	1977	CLOCK Dash Mounted	\$100.00	N
06499466	1978	CLOCK Dash Mounted	\$100.00	N

Part Number	Year	Description	Price	*Rev.
06499466	1979	CLOCK Dash Mounted	\$100.00	N
25080399	1981	CLOCK Dash Mounted	\$112.00	N
25080399	1982	CLOCK Dash Mounted	\$112.00	N
25080399	1983	CLOCK Dash Mounted	\$112.00	N
25080399	1984	CLOCK Dash Mounted	\$112.00	N
25080399	1985	CLOCK Dash Mounted	\$112.00	N
25080399	1986	CLOCK Dash Mounted	\$112.00	N
25080399	1987	CLOCK Dash Mounted	\$112.00	N
25080399	1988	CLOCK Dash Mounted	\$112.00	N
CLOCK WIRE				
39724	1973	CLOCK WIRE Fuse Panel To Optional In Dash Clock	\$30.00	M
39724	1974	CLOCK WIRE Fuse Panel To Optional In Dash Clock	\$30.00	M
39724	1975	CLOCK WIRE Fuse Panel To Optional In Dash Clock	\$30.00	M
39724	1976	CLOCK WIRE Fuse Panel To Optional In Dash Clock	\$30.00	M
39724	1977	CLOCK WIRE Fuse Panel To Optional In Dash Clock	\$30.00	M
39856	1978	CLOCK WIRE Fuse Panel To Optional In Dash Clock	\$30.00	M
39882	1979	CLOCK WIRE Fuse Panel To Optional In Dash Clock	\$30.00	M
39882	1980	CLOCK WIRE Fuse Panel To Optional In Dash Clock	\$30.00	M
39882	1981	CLOCK WIRE Fuse Panel To Optional In Dash Clock	\$30.00	M
39882	1982	CLOCK WIRE Fuse Panel To Optional In Dash Clock	\$30.00	M
COMPLETE WIRING SET				
30905	1947	COMPLETE WIRING SET See Note Note: Includes Additional Wiring For Directional Lamps & Options. Set Includes Dash, Engine, Forward Lamp, Gas Tank Sender, Headlight Bucket, Rear Lamp Extension & Turn Signal Harnesses. Comes Complete With A Wiring Schematic.	\$357.00	
30905	1948	COMPLETE WIRING SET See Note Note: Includes Additional Wiring For Directional Lamps & Options. Set Includes Dash, Engine, Forward Lamp, Gas Tank Sender, Headlight Bucket, Rear Lamp Extension & Turn Signal Harnesses. Comes Complete With A Wiring Schematic.	\$357.00	
30905	1949	COMPLETE WIRING SET See Note Note: Includes Additional Wiring For Directional Lamps & Options. Set Includes Dash, Engine, Forward Lamp, Gas Tank Sender, Headlight Bucket, Rear Lamp Extension & Turn Signal Harnesses. Comes Complete With A Wiring Schematic.	\$357.00	
05053	1950	COMPLETE WIRING SET See Note Note: Includes Additional Wiring For Directional Lamps & Options. Set Includes Dash, Engine, Forward Lamp, Gas Tank Sender, Headlight Bucket, Rear Lamp Extension & Turn Signal Harnesses. Comes Complete With A Wiring Schematic.	\$317.00	
05053	1951	COMPLETE WIRING SET See Note Note: Includes Additional Wiring For Directional Lamps & Options. Set Includes Dash, Engine, Forward Lamp, Gas Tank Sender, Headlight Bucket, Rear Lamp Extension & Turn Signal Harnesses. Comes Complete With A Wiring Schematic.	\$317.00	
05053	1952	COMPLETE WIRING SET See Note Note: Includes Additional Wiring For Directional Lamps & Options. Set Includes Dash, Engine, Forward Lamp, Gas Tank Sender, Headlight Bucket, Rear Lamp Extension & Turn Signal Harnesses. Comes Complete With A Wiring Schematic.	\$317.00	
05053	1953	COMPLETE WIRING SET See Note Note: Includes Additional Wiring For Directional Lamps & Options. Set Includes Dash, Engine, Forward Lamp, Gas Tank Sender, Headlight Bucket, Rear Lamp Extension & Turn Signal Harnesses. Comes Complete With A Wiring Schematic.	\$317.00	
30910	1954	COMPLETE WIRING SET See Note Note: Includes Additional Wiring For Directional Lamps & Options. Set Includes Dash, Engine, Forward Lamp, Gas Tank Sender, Headlight Bucket, Rear Lamp Extension & Turn Signal Harnesses. Comes Complete With A Wiring Schematic.	\$357.00	
30910	1955	COMPLETE WIRING SET Original 6 Volt System (1 St. Design), See Note Note: Includes Additional Wiring For Directional Lamps & Options. Set Includes Dash, Engine, Forward Lamp, Gas Tank Sender, Headlight Bucket, Rear Lamp Extension & Turn Signal Harnesses. Comes Complete With A Wiring Schematic.	\$357.00	
18935	1955	COMPLETE WIRING SET 6 Cylinder, Original 12 Volt System (2nd Design), See Note Note: 6 Cylinder Items Are Not Returnable.	\$411.00	

Part Number	Year	Description	Price	*Rev.
18940	1955	COMPLETE WIRING SET V/8, Original 12 Volt System, See Note Note: Includes Additional Wiring For Directional Lamps & Options. Set Includes Dash, Engine, Forward Lamp, Gas Tank Sender, Headlight Bucket, Rear Lamp Extension & Turn Signal Harnesses. Comes Complete With A Wiring Schematic.	\$411.00	
30250	1955	COMPLETE WIRING SET V/8, With Internal Regulator Alternator & H.E.I., 12 Volt, See Note Note: Includes Additional Wiring For Directional Lamps & Options. Set Includes Dash, Engine, Forward Lamp, Gas Tank Sender, Headlight Bucket, Rear Lamp Extension & Turn Signal Harnesses. Comes Complete With A Wiring Schematic.	\$424.00	
18935	1956	COMPLETE WIRING SET 6 Cylinder, See Note Note: 6 Cylinder Items Are Not Returnable.	\$411.00	
18940	1956	COMPLETE WIRING SET V/8, See Note Note: Includes Additional Wiring For Directional Lamps & Options. Set Includes Dash, Engine, Forward Lamp, Gas Tank Sender, Headlight Bucket, Rear Lamp Extension & Turn Signal Harnesses. Comes Complete With A Wiring Schematic.	\$411.00	
30250	1956	COMPLETE WIRING SET V/8, With Internal Regulator Alternator & H.E.I., See Note Note: Includes Additional Wiring For Directional Lamps & Options. Set Includes Dash, Engine, Forward Lamp, Gas Tank Sender, Headlight Bucket, Rear Lamp Extension & Turn Signal Harnesses. Comes Complete With A Wiring Schematic.	\$424.00	
26695	1957	COMPLETE WIRING SET 6 Cylinder, See Note Note: 6 Cylinder Items Are Not Returnable.	\$424.00	
18950	1957	COMPLETE WIRING SET V/8, See Note Note: Includes Wiring For Directional Lamps & Options, as well as Dash, Engine, Forward Lamp, Gas Tank Sender, Headlight Bucket, Rear Lamp Ext. & Turn Signal Harnesses. Includes A Wiring Schematic. You May Need Ignition Switch Adapter Part #37444.	\$424.00	
30255	1957	COMPLETE WIRING SET V/8, With Internal Regulator Alternator & H.E.I., See Note Note: Includes Wiring For Directional Lamps & Options, as well as Dash, Engine, Forward Lamp, Gas Tank Sender, Headlight Bucket, Rear Lamp Ext. & Turn Signal Harnesses. Includes A Wiring Schematic. You May Need Ignition Switch Adapter Part #37444.	\$424.00	
18955	1958	COMPLETE WIRING SET 6 Cylinder, Auto Trans, See Note Note: 6 Cylinder Items Are Not Returnable.	\$424.00	C
43931	1958	COMPLETE WIRING SET 6 Cylinder, Manual Trans, See Note Note: 6 Cylinder Items Are Not Returnable.	\$424.00	N
18960	1958	COMPLETE WIRING SET V/8, See Note Note: Includes Wiring For Directional Lamps & Options, as well as Dash, Engine, Forward Lamp, Gas Tank Sender, Headlight Bucket, Rear Lamp Ext. & Turn Signal Harnesses. Includes A Wiring Schematic. You May Need Ignition Switch Adapter Part #37444.	\$424.00	
30260	1958	COMPLETE WIRING SET V/8, With Internal Regulator Alternator & H.E.I., See Note Note: Includes Wiring For Directional Lamps & Options, as well as Dash, Engine, Forward Lamp, Gas Tank Sender, Headlight Bucket, Rear Lamp Ext. & Turn Signal Harnesses. Includes A Wiring Schematic. You May Need Ignition Switch Adapter Part #37444.	\$424.00	
18955	1959	COMPLETE WIRING SET 6 Cylinder, Auto Trans, See Note Note: 6 Cylinder Items Are Not Returnable.	\$424.00	C
43931	1959	COMPLETE WIRING SET 6 Cylinder, Manual Trans, See Note Note: 6 Cylinder Items Are Not Returnable.	\$424.00	N
18960	1959	COMPLETE WIRING SET V/8, See Note Note: Includes Wiring For Directional Lamps & Options, as well as Dash, Engine, Forward Lamp, Gas Tank Sender, Headlight Bucket, Rear Lamp Ext. & Turn Signal Harnesses. Includes A Wiring Schematic. You May Need Ignition Switch Adapter Part #37444.	\$424.00	
30260	1959	COMPLETE WIRING SET V/8, With Internal Regulator Alternator & H.E.I., See Note Note: Includes Wiring For Directional Lamps & Options, as well as Dash, Engine, Forward Lamp, Gas Tank Sender, Headlight Bucket, Rear Lamp Ext. & Turn Signal Harnesses. Includes A Wiring Schematic. You May Need Ignition Switch Adapter Part #37444.	\$424.00	
COURTESY AND DOME LAMP EXTENSION HARNESS				
31680	1967	COURTESY AND DOME LAMP EXTENSION HARNESS Activates Under Dash Courtesy Lamps And/Or Dome Lamps	\$22.00	
31680	1968	COURTESY AND DOME LAMP EXTENSION HARNESS Activates Under Dash Courtesy Lamps And/Or Dome Lamps	\$22.00	
31680	1969	COURTESY AND DOME LAMP EXTENSION HARNESS Activates Under Dash Courtesy Lamps And/Or Dome Lamps	\$22.00	

Part Number	Year	Description	Price	*Rev.
31680	1970	COURTESY AND DOME LAMP EXTENSION HARNESS Activates Under Dash Courtesy Lamps And/Or Dome Lamps	\$22.00	
31680	1971	COURTESY AND DOME LAMP EXTENSION HARNESS Activates Under Dash Courtesy Lamps And/Or Dome Lamps	\$22.00	
31680	1972	COURTESY AND DOME LAMP EXTENSION HARNESS Activates Under Dash Courtesy Lamps And/Or Dome Lamps	\$22.00	
COURTESY LAMP HARNESS				
31685	1967	COURTESY LAMP HARNESS Under Dash	\$46.00	
31685	1968	COURTESY LAMP HARNESS Under Dash	\$46.00	
31685	1969	COURTESY LAMP HARNESS Under Dash	\$46.00	
31685	1970	COURTESY LAMP HARNESS Under Dash	\$46.00	
31685	1971	COURTESY LAMP HARNESS Under Dash	\$46.00	
31685	1972	COURTESY LAMP HARNESS Under Dash	\$46.00	
CRUISE CONTROL CLUTCH SWITCH JUMPER WIRE				
39996	1982	CRUISE CONTROL CLUTCH SWITCH JUMPER WIRE With Manual Trans, Without Clutch Switch	\$30.00	M
CRUISE CONTROL HARNESS				
35255	1969	CRUISE CONTROL HARNESS	\$105.00	
35255	1970	CRUISE CONTROL HARNESS	\$105.00	
DASH HARNESS				
02465	1955	DASH HARNESS With Generator	\$193.00	
02465	1956	DASH HARNESS With Generator	\$193.00	
02750	1957	DASH HARNESS With Generator	\$193.00	
02750	1958	DASH HARNESS With Generator	\$193.00	
02750	1959	DASH HARNESS With Generator	\$193.00	
03130	1960	DASH HARNESS Without Gauges	\$450.00	
38028	1960	DASH HARNESS With Gauges	\$396.00	
02995	1960	DASH INSTRUMENT CLUSTER HARNESS With Ammeter Gauge	\$113.00	
02940	1960	DASH INSTRUMENT CLUSTER HARNESS With Generator Light	\$113.00	
03625	1961	DASH HARNESS All	\$383.00	
02995	1961	DASH INSTRUMENT CLUSTER HARNESS With Ammeter Gauge	\$113.00	
02940	1961	DASH INSTRUMENT CLUSTER HARNESS With Generator Light	\$113.00	
03985	1962	DASH HARNESS All	\$396.00	
30800	1962	DASH INSTRUMENT CLUSTER HARNESS With Gauges	\$113.00	
04100	1962	DASH INSTRUMENT CLUSTER HARNESS With Gauges & Overspeed Warning Light	\$132.00	
03660	1962	DASH INSTRUMENT CLUSTER HARNESS Without Gauges	\$113.00	
04420	1963	DASH HARNESS With Gauges	\$370.00	
30800	1963	DASH INSTRUMENT CLUSTER HARNESS With Gauges	\$113.00	
04100	1963	DASH INSTRUMENT CLUSTER HARNESS With Gauges & Overspeed Warning Light	\$132.00	
22525	1963	DASH HARNESS Without Gauges	\$383.00	
03660	1963	DASH INSTRUMENT CLUSTER HARNESS Without Gauges	\$113.00	
18965	1964	DASH HARNESS With Gauges	\$370.00	
04685	1964	DASH INSTRUMENT CLUSTER HARNESS With Gauges	\$105.00	
04690	1964	DASH INSTRUMENT CLUSTER HARNESS With Gauges & Overspeed Warning Light	\$113.00	
04700	1964	DASH HARNESS Without Gauges	\$383.00	
04680	1964	DASH INSTRUMENT CLUSTER HARNESS Without Gauges	\$113.00	
18965	1965	DASH HARNESS With Gauges	\$370.00	
04685	1965	DASH INSTRUMENT CLUSTER HARNESS With Gauges	\$105.00	
04690	1965	DASH INSTRUMENT CLUSTER HARNESS With Gauges & Overspeed Warning Light	\$113.00	
04700	1965	DASH HARNESS Without Gauges	\$383.00	

Part Number	Year	Description	Price	*Rev.
04680	1965	DASH INSTRUMENT CLUSTER HARNESS Without Gauges	\$113.00	
22570	1966	DASH HARNESS With Gauges	\$383.00	
04685	1966	DASH INSTRUMENT CLUSTER HARNESS With Gauges	\$105.00	
04690	1966	DASH INSTRUMENT CLUSTER HARNESS With Gauges & Overspeed Warning Light	\$113.00	
22560	1966	DASH HARNESS Without Gauges	\$370.00	
04680	1966	DASH INSTRUMENT CLUSTER HARNESS Without Gauges	\$113.00	
33915	1967	DASH HARNESS Pickup, With Gauges	\$488.00	
40358	1967	DASH HARNESS-CLASSIC AUTO FUSE SERIES Pickup, With Gauges Note: With Updated Modern ATO Series Fuseblock. Use Fuse & Flasher Kit # 40355. Also See Optional Classic Auto Fuse Accessory Kits.	\$538.00	
33920	1967	DASH HARNESS Pickup, Without Gauges	\$501.00	
40359	1967	DASH HARNESS-CLASSIC AUTO FUSE SERIES Pickup, Without Gauges Note: With Updated Modern ATO Series Fuseblock. Use Fuse & Flasher Kit # 40355. Also See Optional Classic Auto Fuse Accessory Kits.	\$538.00	
33905	1967	DASH HARNESS Panel & Suburban, With Gauges	\$545.00	
40360	1967	DASH HARNESS-CLASSIC AUTO FUSE SERIES Panel & Suburban, With Gauges Note: With Updated Modern ATO Series Fuseblock. Use Fuse & Flasher Kit # 40355. Also See Optional Classic Auto Fuse Accessory Kits.	\$570.00	
33910	1967	DASH HARNESS Panel & Suburban, Without Gauges	\$570.00	
40361	1967	DASH HARNESS-CLASSIC AUTO FUSE SERIES Panel & Suburban, Without Gauges Note: With Updated Modern ATO Series Fuseblock. Use Fuse & Flasher Kit # 40355. Also See Optional Classic Auto Fuse Accessory Kits.	\$596.00	
33915	1968	DASH HARNESS Pickup, With Gauges	\$488.00	
40358	1968	DASH HARNESS-CLASSIC AUTO FUSE SERIES Pickup, With Gauges Note: With Updated Modern ATO Series Fuseblock. Use Fuse & Flasher Kit # 40355. Also See Optional Classic Auto Fuse Accessory Kits.	\$538.00	
33920	1968	DASH HARNESS Pickup, Without Gauges	\$501.00	
40359	1968	DASH HARNESS-CLASSIC AUTO FUSE SERIES Pickup, Without Gauges Note: With Updated Modern ATO Series Fuseblock. Use Fuse & Flasher Kit # 40355. Also See Optional Classic Auto Fuse Accessory Kits.	\$538.00	
33905	1968	DASH HARNESS Panel & Suburban, With Gauges	\$545.00	
40360	1968	DASH HARNESS-CLASSIC AUTO FUSE SERIES Panel & Suburban, With Gauges Note: With Updated Modern ATO Series Fuseblock. Use Fuse & Flasher Kit # 40355. Also See Optional Classic Auto Fuse Accessory Kits.	\$570.00	
33910	1968	DASH HARNESS Panel & Suburban, Without Gauges	\$570.00	
40361	1968	DASH HARNESS-CLASSIC AUTO FUSE SERIES Panel & Suburban, Without Gauges Note: With Updated Modern ATO Series Fuseblock. Use Fuse & Flasher Kit # 40355. Also See Optional Classic Auto Fuse Accessory Kits.	\$596.00	
30100	1969	DASH HARNESS Pickup & Blazer, With Gauges	\$476.00	
40366	1969	DASH HARNESS-CLASSIC AUTO FUSE SERIES Pickup & Blazer, With Gauges Note: With Updated Modern ATO Series Fuseblock. Use Fuse & Flasher Kit # 40355. Also See Optional Classic Auto Fuse Accessory Kits.	\$526.00	
30105	1969	DASH HARNESS Pickup & Blazer, Without Gauges	\$476.00	
40367	1969	DASH HARNESS-CLASSIC AUTO FUSE SERIES Pickup & Blazer, Without Gauges Note: With Updated Modern ATO Series Fuseblock. Use Fuse & Flasher Kit # 40355. Also See Optional Classic Auto Fuse Accessory Kits.	\$526.00	
30090	1969	DASH HARNESS Panel & Suburban, With Gauges	\$545.00	
40368	1969	DASH HARNESS-CLASSIC AUTO FUSE SERIES Panel & Suburban, With Gauges Note: With Updated Modern ATO Series Fuseblock. Use Fuse & Flasher Kit # 40355. Also See Optional Classic Auto Fuse Accessory Kits.	\$570.00	
30095	1969	DASH HARNESS Panel & Suburban, Without Gauges	\$570.00	

Part Number	Year	Description	Price	*Rev.
40369	1969	DASH HARNESS-CLASSIC AUTO FUSE SERIES Panel & Suburban, Without Gauges Note: With Updated Modern ATO Series Fuseblock. Use Fuse & Flasher Kit # 40355. Also See Optional Classic Auto Fuse Accessory Kits.	\$596.00	
30100	1970	DASH HARNESS With Gauges	\$476.00	
40366	1970	DASH HARNESS-CLASSIC AUTO FUSE SERIES With Gauges Note: With Updated Modern ATO Series Fuseblock. Use Fuse & Flasher Kit # 40355. Also See Optional Classic Auto Fuse Accessory Kits.	\$526.00	
30105	1970	DASH HARNESS Without Gauges	\$476.00	
40367	1970	DASH HARNESS-CLASSIC AUTO FUSE SERIES Without Gauges Note: With Updated Modern ATO Series Fuseblock. Use Fuse & Flasher Kit # 40355. Also See Optional Classic Auto Fuse Accessory Kits.	\$526.00	
30100	1971	DASH HARNESS With Gauges	\$476.00	
40366	1971	DASH HARNESS-CLASSIC AUTO FUSE SERIES With Gauges Note: With Updated Modern ATO Series Fuseblock. Use Fuse & Flasher Kit # 40355. Also See Optional Classic Auto Fuse Accessory Kits.	\$526.00	
30105	1971	DASH HARNESS Without Gauges	\$476.00	
40367	1971	DASH HARNESS-CLASSIC AUTO FUSE SERIES Without Gauges Note: With Updated Modern ATO Series Fuseblock. Use Fuse & Flasher Kit # 40355. Also See Optional Classic Auto Fuse Accessory Kits.	\$526.00	
30100	1972	DASH HARNESS With Gauges	\$476.00	
40366	1972	DASH HARNESS-CLASSIC AUTO FUSE SERIES With Gauges Note: With Updated Modern ATO Series Fuseblock. Use Fuse & Flasher Kit # 40355. Also See Optional Classic Auto Fuse Accessory Kits.	\$526.00	
30105	1972	DASH HARNESS Without Gauges	\$476.00	
40367	1972	DASH HARNESS-CLASSIC AUTO FUSE SERIES Without Gauges Note: With Updated Modern ATO Series Fuseblock. Use Fuse & Flasher Kit # 40355. Also See Optional Classic Auto Fuse Accessory Kits.	\$526.00	
37491	1973	DASH HARNESS With Warning Lights	\$735.00	M
40376	1973	DASH HARNESS-CLASSIC AUTO FUSE SERIES With Warning Lights Note: With Updated Modern ATO Series Fuseblock. Use Fuse & Flasher Kit # 40356. Also See Optional Classic Auto Fuse Accessory Kits.	\$758.00	M
35927	1973	DASH HARNESS With Gauges	\$735.00	M
40377	1973	DASH HARNESS-CLASSIC AUTO FUSE SERIES With Gauges Note: With Updated Modern ATO Series Fuseblock. Use Fuse & Flasher Kit # 40356. Also See Optional Classic Auto Fuse Accessory Kits.	\$758.00	M
37509	1974	DASH HARNESS With Warning Lights	\$748.00	M
40378	1974	DASH HARNESS-CLASSIC AUTO FUSE SERIES With Warning Lights Note: With Updated Modern ATO Series Fuseblock. Use Fuse & Flasher Kit # 40356. Also See Optional Classic Auto Fuse Accessory Kits.	\$758.00	M
37510	1974	DASH HARNESS With Gauges	\$735.00	M
40379	1974	DASH HARNESS-CLASSIC AUTO FUSE SERIES With Gauges Note: With Updated Modern ATO Series Fuseblock. Use Fuse & Flasher Kit # 40356. Also See Optional Classic Auto Fuse Accessory Kits.	\$758.00	M
37511	1975	DASH HARNESS With Warning Lights	\$735.00	M
40380	1975	DASH HARNESS-CLASSIC AUTO FUSE SERIES With Warning Lights Note: With Updated Modern ATO Series Fuseblock. Use Fuse & Flasher Kit # 40357. Also See Optional Classic Auto Fuse Accessory Kits.	\$758.00	M
37512	1975	DASH HARNESS With Gauges	\$735.00	M
40381	1975	DASH HARNESS-CLASSIC AUTO FUSE SERIES With Gauges Note: With Updated Modern ATO Series Fuseblock. Use Fuse & Flasher Kit # 40357. Also See Optional Classic Auto Fuse Accessory Kits.	\$758.00	M

Part Number	Year	Description	Price	*Rev.
35933	1976	DASH HARNESS With Warning Lights	\$735.00	M
40382	1976	DASH HARNESS-CLASSIC AUTO FUSE SERIES With Warning Lights Note: With Updated Modern ATO Series Fuseblock. Use Fuse & Flasher Kit # 40357. Also See Optional Classic Auto Fuse Accessory Kits.	\$758.00	M
35934	1976	DASH HARNESS With Gauges	\$735.00	M
40383	1976	DASH HARNESS-CLASSIC AUTO FUSE SERIES With Gauges Note: With Updated Modern ATO Series Fuseblock. Use Fuse & Flasher Kit # 40357. Also See Optional Classic Auto Fuse Accessory Kits.	\$758.00	M
37514	1977	DASH HARNESS With Warning Lights	\$735.00	M
40384	1977	DASH HARNESS-CLASSIC AUTO FUSE SERIES With Warning Lights Note: With Updated Modern ATO Series Fuseblock. Use Fuse & Flasher Kit # 40357. Also See Optional Classic Auto Fuse Accessory Kits.	\$758.00	M
37515	1977	DASH HARNESS With Gauges	\$748.00	M
40385	1977	DASH HARNESS-CLASSIC AUTO FUSE SERIES With Gauges Note: With Updated Modern ATO Series Fuseblock. Use Fuse & Flasher Kit # 40357. Also See Optional Classic Auto Fuse Accessory Kits.	\$758.00	M
40054	1977	DASH HARNESS With Diesel	\$748.00	M
40386	1977	DASH HARNESS-CLASSIC AUTO FUSE SERIES With Diesel Note: With Updated Modern ATO Series Fuseblock. Use Fuse & Flasher Kit # 40357. Also See Optional Classic Auto Fuse Accessory Kits.	\$758.00	M
38138	1978	DASH HARNESS With Warning Lights	\$768.00	M
40387	1978	DASH HARNESS-CLASSIC AUTO FUSE SERIES With Warning Lights Note: With Updated Modern ATO Series Fuseblock. Use Fuse & Flasher Kit # 40357. Also See Optional Classic Auto Fuse Accessory Kits.	\$758.00	M
37517	1978	DASH HARNESS With Gauges	\$735.00	M
40388	1978	DASH HARNESS-CLASSIC AUTO FUSE SERIES With Gauges Note: With Updated Modern ATO Series Fuseblock. Use Fuse & Flasher Kit # 40357. Also See Optional Classic Auto Fuse Accessory Kits.	\$758.00	M
38139	1978	DASH HARNESS With Diesel	\$768.00	M
40389	1978	DASH HARNESS-CLASSIC AUTO FUSE SERIES With Diesel Note: With Updated Modern ATO Series Fuseblock. Use Fuse & Flasher Kit # 40357. Also See Optional Classic Auto Fuse Accessory Kits.	\$758.00	M
38142	1979	DASH HARNESS With Warning Lights	\$787.00	M
38152	1979	DASH HARNESS 6 Cylinder, With Gauges Note: 6 Cylinder Items Are Not Returnable.	\$787.00	M
38143	1979	DASH HARNESS V/8, With Gauges	\$735.00	M
38142	1980	DASH HARNESS With Warning Lights	\$787.00	M
38152	1980	DASH HARNESS 6 Cylinder, With Gauges Note: 6 Cylinder Items Are Not Returnable.	\$787.00	M
38143	1980	DASH HARNESS V/8, With Gauges	\$735.00	M
38146	1981	DASH HARNESS With Warning Lights	\$748.00	M
38147	1981	DASH HARNESS 6 Cylinder, With Gauges Note: 6 Cylinder Items Are Not Returnable.	\$787.00	M
38148	1981	DASH HARNESS V/8, With Gauges	\$735.00	M
38146	1982	DASH HARNESS With Warning Lights	\$748.00	M
38147	1982	DASH HARNESS 6 Cylinder, With Gauges Note: 6 Cylinder Items Are Not Returnable.	\$787.00	M
38148	1982	DASH HARNESS V/8, With Gauges	\$735.00	M

Part Number	Year	Description	Price	*Rev.
DISTRIBUTOR WIRE				
36057	1957	DISTRIBUTOR WIRE Distributor Points To Coil Negative Terminal, V/8 Note: Fits All GM V/8 Points Type Distributors From Approx. 1957 To 1974.	\$18.00	C
36057	1958	DISTRIBUTOR WIRE Distributor Points To Coil Negative Terminal, V/8 Note: Fits All GM V/8 Points Type Distributors From Approx. 1957 To 1974.	\$18.00	C
36057	1959	DISTRIBUTOR WIRE Distributor Points To Coil Negative Terminal, V/8 Note: Fits All GM V/8 Points Type Distributors From Approx. 1957 To 1974.	\$18.00	C
36057	1960	DISTRIBUTOR WIRE Distributor Points To Coil Negative Terminal, V/8 Note: Fits All GM V/8 Points Type Distributors From Approx. 1957 To 1974.	\$18.00	C
36057	1961	DISTRIBUTOR WIRE Distributor Points To Coil Negative Terminal, V/8 Note: Fits All GM V/8 Points Type Distributors From Approx. 1957 To 1974.	\$18.00	C
36057	1962	DISTRIBUTOR WIRE Distributor Points To Coil Negative Terminal, V/8 Note: Fits All GM V/8 Points Type Distributors From Approx. 1957 To 1974.	\$18.00	C
36057	1963	DISTRIBUTOR WIRE Distributor Points To Coil Negative Terminal, V/8 Note: Fits All GM V/8 Points Type Distributors From Approx. 1957 To 1974.	\$18.00	C
36057	1964	DISTRIBUTOR WIRE Distributor Points To Coil Negative Terminal, V/8 Note: Fits All GM V/8 Points Type Distributors From Approx. 1957 To 1974.	\$18.00	C
36057	1965	DISTRIBUTOR WIRE Distributor Points To Coil Negative Terminal, V/8 Note: Fits All GM V/8 Points Type Distributors From Approx. 1957 To 1974.	\$18.00	C
36057	1966	DISTRIBUTOR WIRE Distributor Points To Coil Negative Terminal, V/8 Note: Fits All GM V/8 Points Type Distributors From Approx. 1957 To 1974.	\$18.00	C
36057	1967	DISTRIBUTOR WIRE Distributor Points To Coil Negative Terminal, V/8 Note: Fits All GM V/8 Points Type Distributors From Approx. 1957 To 1974.	\$18.00	C
36057	1968	DISTRIBUTOR WIRE Distributor Points To Coil Negative Terminal, V/8 Note: Fits All GM V/8 Points Type Distributors From Approx. 1957 To 1974.	\$18.00	C
36057	1969	DISTRIBUTOR WIRE Distributor Points To Coil Negative Terminal, V/8 Note: Fits All GM V/8 Points Type Distributors From Approx. 1957 To 1974.	\$18.00	C
36057	1970	DISTRIBUTOR WIRE Distributor Points To Coil Negative Terminal, V/8 Note: Fits All GM V/8 Points Type Distributors From Approx. 1957 To 1974.	\$18.00	C
36057	1971	DISTRIBUTOR WIRE Distributor Points To Coil Negative Terminal, V/8 Note: Fits All GM V/8 Points Type Distributors From Approx. 1957 To 1974.	\$18.00	C
36057	1972	DISTRIBUTOR WIRE Distributor Points To Coil Negative Terminal, V/8 Note: Fits All GM V/8 Points Type Distributors From Approx. 1957 To 1974.	\$18.00	C
36057	1973	DISTRIBUTOR WIRE Distributor Points To Coil Negative Terminal, V/8 Note: Fits All GM V/8 Points Type Distributors From Approx. 1957 To 1974.	\$18.00	C
36057	1974	DISTRIBUTOR WIRE Distributor Points To Coil Negative Terminal, V/8 Note: Fits All GM V/8 Points Type Distributors From Approx. 1957 To 1974.	\$18.00	C
DOME LAMP EXTENSION HARNESS				
39714	1973	DOME LAMP EXTENSION HARNESS All Trucks, Except Blazer & Jimmy, Front Door Jamb Switch To Cargo Lamp Or Roof Dome Lamp Harness	\$106.00	M
39738	1973	DOME LAMP EXTENSION HARNESS Blazer & Jimmy, Front Door Jamb Switch To Roof Dome Lamp Harness	\$106.00	M
39714	1974	DOME LAMP EXTENSION HARNESS All Trucks, Except Blazer & Jimmy, Front Door Jamb Switch To Cargo Lamp Or Roof Dome Lamp Harness	\$106.00	M
39738	1974	DOME LAMP EXTENSION HARNESS Blazer & Jimmy, Front Door Jamb Switch To Roof Dome Lamp Harness	\$106.00	M
39714	1975	DOME LAMP EXTENSION HARNESS All Trucks, Except Blazer & Jimmy, Front Door Jamb Switch To Cargo Lamp Or Dome Lamp Harness	\$106.00	M
39738	1975	DOME LAMP EXTENSION HARNESS Blazer & Jimmy, Front Door Jamb Switch To Dome Lamp Harness	\$106.00	M

Part Number	Year	Description	Price	*Rev.
39714	1976	DOMELAMP EXTENSION HARNESS All, Front Door Jamb Switch To Cargo Lamp Or Dome Lamp Harness	\$106.00	M
39714	1977	DOMELAMP EXTENSION HARNESS All, Front Door Jamb Switch To Cargo Lamp Or Dome Lamp Harness	\$106.00	M
39714	1978	DOMELAMP EXTENSION HARNESS All, Front Door Jamb Switch To Cargo Lamp Or Dome Lamp Harness	\$106.00	M
39346	1979	DOMELAMP EXTENSION HARNESS All, Front Door Jamb Switch To Cargo Lamp Or Dome Lamp Harness	\$106.00	M
39346	1980	DOMELAMP EXTENSION HARNESS All, Front Door Jamb Switch To Cargo Lamp Or Dome Lamp Harness	\$106.00	M
39346	1981	DOMELAMP EXTENSION HARNESS All, Front Door Jamb Switch To Cargo Lamp Or Dome Lamp Harness	\$106.00	M
39346	1982	DOMELAMP EXTENSION HARNESS All, Front Door Jamb Switch To Cargo Lamp Or Dome Lamp Harness	\$106.00	M
39346	1982	DOMELAMP EXTENSION HARNESS All, Front Door Jamb Switch To Cargo Lamp Or Dome Lamp Harness	\$106.00	M
DOMELAMP HARNESS				
34890	1955	DOMELAMP HARNESS Overhead	\$26.00	
34890	1956	DOMELAMP HARNESS Overhead	\$26.00	
34890	1957	DOMELAMP HARNESS Overhead	\$26.00	
34890	1958	DOMELAMP HARNESS Overhead	\$26.00	
34890	1959	DOMELAMP HARNESS Overhead	\$26.00	
30620	1960	DOMELAMP HARNESS Overhead	\$26.00	
30620	1961	DOMELAMP HARNESS Overhead	\$26.00	
30620	1962	DOMELAMP HARNESS Overhead	\$26.00	
30620	1963	DOMELAMP HARNESS Overhead	\$26.00	
30620	1964	DOMELAMP HARNESS Overhead	\$26.00	
30620	1965	DOMELAMP HARNESS Overhead	\$26.00	
30620	1966	DOMELAMP HARNESS Overhead	\$26.00	
32750	1967	DOMELAMP HARNESS Overhead, Also See Courtesy & Dome Lamp Extension	\$26.00	
32750	1968	DOMELAMP HARNESS Overhead, Also See Courtesy & Dome Lamp Extension	\$26.00	
32750	1969	DOMELAMP HARNESS Overhead, Also See Courtesy & Dome Lamp Extension	\$26.00	
32750	1970	DOMELAMP HARNESS Overhead, Also See Courtesy & Dome Lamp Extension	\$26.00	
32750	1971	DOMELAMP HARNESS Overhead, Also See Courtesy & Dome Lamp Extension	\$26.00	
32750	1972	DOMELAMP HARNESS Overhead, Also See Courtesy & Dome Lamp Extension	\$26.00	
39347	1973	DOMELAMP HARNESS All 2 Door Trucks, Except Blazer & Jimmy, Roof Dome Lamp To Extension Harness	\$41.00	M
39737	1973	DOMELAMP HARNESS Blazer & Jimmy, Roof Dome Lamp To Extension Harness	\$48.00	M
39732	1973	DOMELAMP HARNESS 4 Door Trucks, Roof Dome Lamp To Extension Harness	\$48.00	M
39748	1973	DOMELAMP HARNESS Suburban, Front & Rear Roof Dome Lamps, Includes Extension Harness	\$60.00	M
39347	1974	DOMELAMP HARNESS All 2 Door Trucks, Except Blazer & Jimmy, Roof Dome Lamp To Extension Harness	\$41.00	M
39737	1974	DOMELAMP HARNESS Blazer & Jimmy, Roof Dome Lamp To Extension Harness	\$48.00	M
39732	1974	DOMELAMP HARNESS 4 Door Trucks, Roof Dome Lamp To Extension Harness	\$48.00	M
39760	1974	DOMELAMP HARNESS Suburban, Front & Rear Roof Dome Lamp, Without Overhead A/C	\$60.00	M
39761	1974	DOMELAMP HARNESS Suburban, Front & Rear Roof Dome Lamp, With Overhead A/C	\$60.00	M
39347	1975	DOMELAMP HARNESS All 2 Door Trucks, Except Blazer & Jimmy, Roof Dome Lamp To Extension Harness	\$41.00	M
39737	1975	DOMELAMP HARNESS Blazer & Jimmy, Dome Lamp To Extension Harness	\$48.00	M

Part Number	Year	Description	Price	*Rev.
39775	1975	DOME LAMP HARNESS 4 Door Trucks, Roof Dome Lamp To Extension Harness	\$48.00	M
39760	1975	DOME LAMP HARNESS Suburban, Front & Rear Roof Dome Lamp, Without Overhead A/C	\$60.00	M
39761	1975	DOME LAMP HARNESS Suburban, Front & Rear Roof Dome Lamp, With Overhead A/C	\$60.00	M
39347	1976	DOME LAMP HARNESS All 2 Door Trucks, Except Blazer & Jimmy, Roof Dome Lamp To Extension Harness	\$41.00	M
39805	1976	DOME LAMP HARNESS All Trucks, Except Blazer & Jimmy, Dome & Cargo Lamp Jumper, Extension Harness To Dome/Cargo Lamp	\$41.00	M
39799	1976	DOME LAMP HARNESS Blazer & Jimmy, Extension Harness To Dome Lamp On Removable Top	\$41.00	M
39831	1976	DOME LAMP HARNESS Blazer & Jimmy, Cab Mounted Roof Dome Lamp To Extension Harness	\$53.00	M
39760	1976	DOME LAMP HARNESS Suburban, Front & Rear Roof Dome Lamp, Without Overhead A/C	\$60.00	M
39761	1976	DOME LAMP HARNESS Suburban, Front & Rear Roof Dome Lamp, With Overhead A/C	\$60.00	M
39775	1976	DOME LAMP HARNESS 4 Door Trucks, Roof Dome Lamp To Extension Harness	\$48.00	M
39347	1977	DOME LAMP HARNESS All 2 Door Trucks, Except Blazer & Jimmy, Roof Dome Lamp To Extension Harness	\$41.00	M
39760	1977	DOME LAMP HARNESS Suburban, Front & Rear Roof Dome Lamp, Without Overhead A/C	\$60.00	M
39761	1977	DOME LAMP HARNESS Suburban, Front & Rear Roof Dome Lamp, With Overhead A/C	\$60.00	M
39775	1977	DOME LAMP HARNESS 4 Door Trucks, Roof Dome Lamp To Extension Harness	\$48.00	M
39799	1977	DOME LAMP HARNESS Blazer & Jimmy, Extension Harness To Dome Lamp On Removable Top	\$41.00	M
39805	1977	DOME LAMP HARNESS All Trucks, Except Blazer & Jimmy, Dome & Cargo Lamp Jumper, Extension Harness To Dome/Cargo Lamp	\$41.00	M
39831	1977	DOME LAMP HARNESS Blazer & Jimmy, Cab Mounted Roof Dome Lamp To Extension Harness	\$53.00	M
39347	1978	DOME LAMP HARNESS All 2 Door Trucks, Except Blazer & Jimmy, Roof Dome Lamp To Extension Harness	\$41.00	M
39760	1978	DOME LAMP HARNESS Suburban, Front & Rear Roof Dome Lamp, Without Overhead A/C	\$60.00	M
39805	1978	DOME LAMP HARNESS All Trucks, Except Blazer & Jimmy, Dome & Cargo Lamp Jumper, Extension Harness To Dome/Cargo Lamp	\$41.00	M
39799	1978	DOME LAMP HARNESS Blazer & Jimmy, Extension Harness To Dome Lamp On Removable Top	\$41.00	M
39831	1978	DOME LAMP HARNESS Blazer & Jimmy, Cab Mounted Roof Dome Lamp To Extension Harness	\$53.00	M
39761	1978	DOME LAMP HARNESS Suburban, Front & Rear Roof Dome Lamp, With Overhead A/C	\$60.00	M
39775	1978	DOME LAMP HARNESS 4 Door Trucks, Roof Dome Lamp To Extension Harness	\$48.00	M
39347	1979	DOME LAMP HARNESS All 2 Door Trucks, Except Blazer & Jimmy, Roof Dome Lamp To Extension Harness	\$41.00	M
39805	1979	DOME LAMP HARNESS All Trucks, Except Blazer & Jimmy, Dome & Cargo Lamp Jumper, Extension Harness To Dome/Cargo Lamp	\$41.00	M
39799	1979	DOME LAMP HARNESS Blazer & Jimmy, Extension Harness To Dome Lamp On Removable Top	\$41.00	M
39831	1979	DOME LAMP HARNESS Blazer & Jimmy, Cab Mounted Roof Dome Lamp To Extension Harness	\$53.00	M
39760	1979	DOME LAMP HARNESS Suburban, Front & Rear Roof Dome Lamp, Without Overhead A/C	\$60.00	M
39761	1979	DOME LAMP HARNESS Suburban, Front & Rear Roof Dome Lamp, With Overhead A/C	\$60.00	M
39775	1979	DOME LAMP HARNESS 4 Door Trucks, Roof Dome Lamp To Extension Harness	\$48.00	M
39347	1980	DOME LAMP HARNESS All 2 Door Trucks, Except Blazer & Jimmy, Roof Dome Lamp To Extension Harness	\$41.00	M
39799	1980	DOME LAMP HARNESS Blazer & Jimmy, Extension Harness To Dome Lamp On Removable Top	\$41.00	M
39831	1980	DOME LAMP HARNESS Blazer & Jimmy, Cab Mounted Roof Dome Lamp To Extension Harness	\$53.00	M

Part Number	Year	Description	Price	*Rev.
39760	1980	DOME LAMP HARNESS Suburban, Front & Rear Roof Dome Lamp, Without Overhead A/C	\$60.00	M
39775	1980	DOME LAMP HARNESS 4 Door Trucks, Roof Dome Lamp To Extension Harness	\$48.00	M
39761	1980	DOME LAMP HARNESS Suburban, Front & Rear Roof Dome Lamp, With Overhead A/C	\$60.00	M
39347	1981	DOME LAMP HARNESS All 2 Door Trucks, Except Blazer & Jimmy, Roof Dome Lamp To Extension Harness	\$41.00	M
39799	1981	DOME LAMP HARNESS Blazer & Jimmy, Extension Harness To Dome Lamp On Removable Top	\$41.00	M
39831	1981	DOME LAMP HARNESS Blazer & Jimmy, Cab Mounted Roof Dome Lamp To Extension Harness	\$53.00	M
39760	1981	DOME LAMP HARNESS Suburban, Front & Rear Roof Dome Lamp, Without Overhead A/C	\$60.00	M
39775	1981	DOME LAMP HARNESS 4 Door Trucks, Roof Dome Lamp To Extension Harness	\$48.00	M
39761	1981	DOME LAMP HARNESS Suburban, Front & Rear Roof Dome Lamp, With Overhead A/C	\$60.00	M
39347	1982	DOME LAMP HARNESS All 2 Door Trucks, Except Blazer & Jimmy, Roof Dome Lamp To Extension Harness	\$41.00	M
39831	1982	DOME LAMP HARNESS Blazer & Jimmy, Cab Mounted Roof Dome Lamp To Extension Harness	\$53.00	M
39761	1982	DOME LAMP HARNESS Suburban, Front & Rear Roof Dome Lamp, With Overhead A/C	\$60.00	M
39760	1982	DOME LAMP HARNESS Suburban, Front & Rear Roof Dome Lamp, Without Overhead A/C	\$60.00	M
39775	1982	DOME LAMP HARNESS 4 Door Trucks, Roof Dome Lamp To Extension Harness	\$48.00	M
41592	1984	DOME LAMP HARNESS	\$53.00	M
41592	1985	DOME LAMP HARNESS	\$53.00	M
41592	1986	DOME LAMP HARNESS	\$53.00	M
41592	1987	DOME LAMP HARNESS	\$53.00	M
41592	1988	DOME LAMP HARNESS	\$53.00	M
41592	1989	DOME LAMP HARNESS	\$53.00	M
41592	1990	DOME LAMP HARNESS	\$53.00	M
41592	1991	DOME LAMP HARNESS	\$53.00	M
DOME LIGHT LENS				
02973210	1960	DOME LIGHT LENS Note: Manufactured Using Original GM Tooling.	\$4.00	
02973210	1961	DOME LIGHT LENS Note: Manufactured Using Original GM Tooling.	\$4.00	
02973210	1962	DOME LIGHT LENS Note: Manufactured Using Original GM Tooling.	\$4.00	
02973210	1963	DOME LIGHT LENS Note: Manufactured Using Original GM Tooling.	\$4.00	
02973210	1964	DOME LIGHT LENS Note: Manufactured Using Original GM Tooling.	\$4.00	
02973210	1965	DOME LIGHT LENS Note: Manufactured Using Original GM Tooling.	\$4.00	
02973210	1966	DOME LIGHT LENS Note: Manufactured Using Original GM Tooling.	\$4.00	
02973210	1967	DOME LIGHT LENS Note: Manufactured Using Original GM Tooling.	\$4.00	
02973210	1968	DOME LIGHT LENS Note: Manufactured Using Original GM Tooling.	\$4.00	
02973210	1969	DOME LIGHT LENS Note: Manufactured Using Original GM Tooling.	\$4.00	

Part Number	Year	Description	Price	*Rev.
02973210	1970	DOME LIGHT LENS Note: Manufactured Using Original GM Tooling.	\$4.00	
02973210	1971	DOME LIGHT LENS Note: Manufactured Using Original GM Tooling.	\$4.00	
02973210	1972	DOME LIGHT LENS Note: Manufactured Using Original GM Tooling.	\$4.00	
ELECTRONIC SPARK CONTROL EXTENSION HARNESS				
37535	1981	ELECTRONIC SPARK CONTROL EXTENSION HARNESS 1/2 & 3/4-Ton, With 305 V/8, Distributor To Electronic Spark Control Harness	\$67.00	M
37535	1982	ELECTRONIC SPARK CONTROL EXTENSION HARNESS 1/2 & 3/4-Ton, With 305 V/8, Engine Code H, & 700R4, Or TH350 Trans, Distributor To Electronic Spark Control Harness	\$67.00	M
ENGINE HARNESS				
06400	1955	ENGINE HARNESS 6 Cylinder, Auto Trans (12 Volt) Note: 6 Cylinder Items Are Not Returnable.	\$110.00	
06395	1955	ENGINE HARNESS 6 Cylinder, Manual Trans (12 Volt) Note: 6 Cylinder Items Are Not Returnable.	\$96.00	
02285	1955	ENGINE HARNESS V/8, Auto Trans	\$105.00	
30290	1955	ENGINE HARNESS V/8, Auto Trans, With H.E.I.	\$119.00	
02385	1955	ENGINE HARNESS V/8, Manual Trans	\$92.00	
30295	1955	ENGINE HARNESS V/8, Manual Trans, With H.E.I.	\$119.00	
02395	1956	ENGINE HARNESS 6 Cylinder, Auto Trans Note: 6 Cylinder Items Are Not Returnable.	\$124.00	
02390	1956	ENGINE HARNESS 6 Cylinder, Manual Trans Note: 6 Cylinder Items Are Not Returnable.	\$110.00	
02405	1956	ENGINE HARNESS V/8, Auto Trans	\$105.00	
30290	1956	ENGINE HARNESS V/8, Auto Trans, With H.E.I.	\$119.00	
02425	1956	ENGINE HARNESS V/8, Manual Trans	\$105.00	
30295	1956	ENGINE HARNESS V/8, Manual Trans, With H.E.I.	\$119.00	
02570	1957	ENGINE HARNESS 6 Cylinder, Auto Trans, Also See Ignition Switch Adapter Note: 6 Cylinder Items Are Not Returnable.	\$124.00	
02550	1957	ENGINE HARNESS 6 Cylinder, Manual Trans, Also See Ignition Switch Adapter Note: 6 Cylinder Items Are Not Returnable.	\$110.00	
02560	1957	ENGINE HARNESS V/8, Auto Trans, Also See Ignition Switch Adapter Note: The Ignition Switch Adapter #37444 Allows 1957-59 Chevy Truck Engine Harnesses To Be Connected To The Reproduction Ignition Switch Available For 1955-56 Chevy Trucks And Cars.	\$119.00	
30310	1957	ENGINE HARNESS V/8, Auto Trans, With H.E.I., Also See Ignition Switch Adapter Note: The Ignition Switch Adapter #37444 Allows 1957-59 Chevy Truck Engine Harnesses To Be Connected To The Reproduction Ignition Switch Available For 1955-56 Chevy Trucks And Cars.	\$119.00	
02565	1957	ENGINE HARNESS V/8, Manual Trans, Also See Ignition Switch Adapter Note: The Ignition Switch Adapter #37444 Allows 1957-59 Chevy Truck Engine Harnesses To Be Connected To The Reproduction Ignition Switch Available For 1955-56 Chevy Trucks And Cars.	\$119.00	
30315	1957	ENGINE HARNESS V/8, Manual Trans, With H.E.I., Also See Ignition Switch Adapter Note: The Ignition Switch Adapter #37444 Allows 1957-59 Chevy Truck Engine Harnesses To Be Connected To The Reproduction Ignition Switch Available For 1955-56 Chevy Trucks And Cars.	\$119.00	
02910	1958	ENGINE HARNESS 6 Cylinder, Auto Trans, Also See Ignition Switch Adapter Note: 6 Cylinder Items Are Not Returnable.	\$124.00	
02905	1958	ENGINE HARNESS 6 Cylinder, Manual Trans, Also See Ignition Switch Adapter Note: 6 Cylinder Items Are Not Returnable.	\$110.00	

Part Number	Year	Description	Price	*Rev.
02735	1958	ENGINE HARNESS V/8, Auto Trans, Also See Ignition Switch Adapter Note: The Ignition Switch Adapter #37444 Allows 1957-59 Chevy Truck Engine Harnesses To Be Connected To The Reproduction Ignition Switch Available For 1955-56 Chevy Trucks And Cars.	\$119.00	
30310	1958	ENGINE HARNESS V/8, Auto Trans, With H.E.I., Also See Ignition Switch Adapter Note: The Ignition Switch Adapter #37444 Allows 1957-59 Chevy Truck Engine Harnesses To Be Connected To The Reproduction Ignition Switch Available For 1955-56 Chevy Trucks And Cars.	\$119.00	
30810	1958	ENGINE HARNESS V/8, Manual Trans, Also See Ignition Switch Adapter Note: The Ignition Switch Adapter #37444 Allows 1957-59 Chevy Truck Engine Harnesses To Be Connected To The Reproduction Ignition Switch Available For 1955-56 Chevy Trucks And Cars.	\$119.00	
02790	1958	ENGINE HARNESS V/8, Manual Trans, With Overspeed Governor Lt, Also See Ignition Switch Adapter Note: The Ignition Switch Adapter #37444 Allows 1957-59 Chevy Truck Engine Harnesses To Be Connected To The Reproduction Ignition Switch Available For 1955-56 Chevy Trucks And Cars.	\$172.00	
30315	1958	ENGINE HARNESS V/8, Manual Trans, With H.E.I., Also See Ignition Switch Adapter Note: The Ignition Switch Adapter #37444 Allows 1957-59 Chevy Truck Engine Harnesses To Be Connected To The Reproduction Ignition Switch Available For 1955-56 Chevy Trucks And Cars.	\$119.00	
02910	1959	ENGINE HARNESS 6 Cylinder, Auto Trans, Also See Ignition Switch Adapter Note: 6 Cylinder Items Are Not Returnable.	\$124.00	
02905	1959	ENGINE HARNESS 6 Cylinder, Manual Trans, Also See Ignition Switch Adapter Note: 6 Cylinder Items Are Not Returnable.	\$110.00	
02735	1959	ENGINE HARNESS V/8, Auto Trans, Also See Ignition Switch Adapter Note: The Ignition Switch Adapter #37444 Allows 1957-59 Chevy Truck Engine Harnesses To Be Connected To The Reproduction Ignition Switch Available For 1955-56 Chevy Trucks And Cars.	\$119.00	
30310	1959	ENGINE HARNESS V/8, Auto Trans, With H.E.I., Also See Ignition Switch Adapter Note: The Ignition Switch Adapter #37444 Allows 1957-59 Chevy Truck Engine Harnesses To Be Connected To The Reproduction Ignition Switch Available For 1955-56 Chevy Trucks And Cars.	\$119.00	
30810	1959	ENGINE HARNESS V/8, Manual Trans, Also See Ignition Switch Adapter Note: The Ignition Switch Adapter #37444 Allows 1957-59 Chevy Truck Engine Harnesses To Be Connected To The Reproduction Ignition Switch Available For 1955-56 Chevy Trucks And Cars.	\$119.00	
02790	1959	ENGINE HARNESS V/8, Manual Trans, With Overspeed Governor Lt, Also See Ignition Switch Adapter Note: The Ignition Switch Adapter #37444 Allows 1957-59 Chevy Truck Engine Harnesses To Be Connected To The Reproduction Ignition Switch Available For 1955-56 Chevy Trucks And Cars.	\$172.00	
30315	1959	ENGINE HARNESS V/8, Manual Trans, With H.E.I., Also See Ignition Switch Adapter Note: The Ignition Switch Adapter #37444 Allows 1957-59 Chevy Truck Engine Harnesses To Be Connected To The Reproduction Ignition Switch Available For 1955-56 Chevy Trucks And Cars.	\$119.00	
38030	1960	ENGINE HARNESS 6 Cylinder, Without Gauges Note: 6 Cylinder Items Are Not Returnable.	\$119.00	
38038	1960	ENGINE HARNESS 6 Cylinder, With Gauges Note: 6 Cylinder Items Are Not Returnable.	\$119.00	
38037	1960	ENGINE HARNESS V/8, Without Gauges	\$119.00	
39122	1960	ENGINE HARNESS-HEI V/8, Without Gauges Note: This Harness Is Modified For Use With An HEI Distributor.	\$134.00	
38031	1960	ENGINE HARNESS V/8, With Gauges	\$119.00	
38032	1960	ENGINE HARNESS V/8, 348 C.I., With Gauges	\$119.00	
03085	1961	ENGINE HARNESS 6 Cylinder Note: 6 Cylinder Items Are Not Returnable.	\$132.00	
03050	1961	ENGINE HARNESS V/8	\$132.00	
39061	1961	ENGINE HARNESS-HEI V/8 Note: This Harness Is Modified For Use With An HEI Distributor.	\$147.00	
04050	1962	ENGINE HARNESS 6 Cylinder, With Gauges Note: 6 Cylinder Items Are Not Returnable.	\$119.00	

Part Number	Year	Description	Price	*Rev.
04045	1962	ENGINE HARNESS 6 Cylinder, Without Gauges Note: 6 Cylinder Items Are Not Returnable.	\$119.00	
38075	1962	ENGINE HARNESS V/8, With Gauges	\$119.00	
39202	1962	ENGINE HARNESS-HEI V/8, With Gauges Note: This Harness Is Modified For Use With An HEI Distributor.	\$145.00	
03655	1962	ENGINE HARNESS V/8, Without Gauges	\$105.00	
39201	1962	ENGINE HARNESS-HEI V/8, Without Gauges Note: This Harness Is Modified For Use With An HEI Distributor.	\$120.00	
04110	1963	ENGINE HARNESS 6 Cylinder, With Gauges Note: 6 Cylinder Items Are Not Returnable.	\$105.00	
20650	1963	ENGINE HARNESS 6 Cylinder, Without Gauges Note: 6 Cylinder Items Are Not Returnable.	\$105.00	
04305	1963	ENGINE HARNESS V/8, With Gauges	\$119.00	
39081	1963	ENGINE HARNESS-HEI V/8, With Gauges Note: This Harness Is Modified For Use With An HEI Distributor.	\$147.00	
04710	1963	ENGINE HARNESS V/8, Without Gauges	\$105.00	
38967	1963	ENGINE HARNESS-HEI V/8, Without Gauges Note: This Harness Is Modified For Use With An HEI Distributor.	\$120.00	
04110	1964	ENGINE HARNESS 6 Cylinder, With Gauges Note: 6 Cylinder Items Are Not Returnable.	\$105.00	
20650	1964	ENGINE HARNESS 6 Cylinder, Without Gauges Note: 6 Cylinder Items Are Not Returnable.	\$105.00	
30830	1964	ENGINE HARNESS V/8, With Gauges	\$105.00	
38969	1964	ENGINE HARNESS-HEI V/8, With Gauges Note: This Harness Is Modified For Use With An HEI Distributor.	\$120.00	
05160	1964	ENGINE HARNESS V/8, With Gauges & Overspeed Warning	\$132.00	
04710	1964	ENGINE HARNESS V/8, Without Gauges	\$105.00	
38967	1964	ENGINE HARNESS-HEI V/8, Without Gauges Note: This Harness Is Modified For Use With An HEI Distributor.	\$120.00	
04110	1965	ENGINE HARNESS 6 Cylinder, With Gauges Note: 6 Cylinder Items Are Not Returnable.	\$105.00	
20650	1965	ENGINE HARNESS 6 Cylinder, Without Gauges Note: 6 Cylinder Items Are Not Returnable.	\$105.00	
30830	1965	ENGINE HARNESS V/8, With Gauges	\$105.00	
38969	1965	ENGINE HARNESS-HEI V/8, With Gauges Note: This Harness Is Modified For Use With An HEI Distributor.	\$120.00	
05160	1965	ENGINE HARNESS V/8, With Gauges & Overspeed Warning	\$132.00	
04710	1965	ENGINE HARNESS V/8, Without Gauges	\$105.00	
38967	1965	ENGINE HARNESS-HEI V/8, Without Gauges Note: This Harness Is Modified For Use With An HEI Distributor.	\$120.00	
04110	1966	ENGINE HARNESS 6 Cylinder, With Gauges Note: 6 Cylinder Items Are Not Returnable.	\$105.00	
20650	1966	ENGINE HARNESS 6 Cylinder, Without Gauges Note: 6 Cylinder Items Are Not Returnable.	\$105.00	
30830	1966	ENGINE HARNESS V/8, With Gauges	\$105.00	
38969	1966	ENGINE HARNESS-HEI V/8, With Gauges Note: This Harness Is Modified For Use With An HEI Distributor.	\$120.00	
05160	1966	ENGINE HARNESS V/8, With Gauges & Overspeed Warning	\$132.00	
04710	1966	ENGINE HARNESS V/8, Without Gauges	\$105.00	

Part Number	Year	Description	Price	*Rev.
38967	1966	ENGINE HARNESS-HEI V/8, Without Gauges Note: This Harness Is Modified For Use With An HEI Distributor.	\$120.00	
23420	1967	ENGINE HARNESS 6 Cylinder, Auto Trans Note: 6 Cylinder Items Are Not Returnable.	\$184.00	
21980	1967	ENGINE HARNESS 6 Cylinder, Manual Trans Note: 6 Cylinder Items Are Not Returnable.	\$145.00	
23425	1967	ENGINE HARNESS V/8, Auto Trans	\$145.00	
39007	1967	ENGINE HARNESS-HEI V/8, Auto Trans Note: This Harness Is Modified For Use With An HEI Distributor.	\$160.00	
21245	1967	ENGINE HARNESS V/8, Manual Trans	\$158.00	
39153	1967	ENGINE HARNESS-HEI V/8, Manual Trans Note: This Harness Is Modified For Use With An HEI Distributor.	\$173.00	
20665	1968	ENGINE HARNESS 6 Cylinder, Auto Trans Note: 6 Cylinder Items Are Not Returnable.	\$172.00	
23430	1968	ENGINE HARNESS 6 Cylinder, Manual Trans Note: 6 Cylinder Items Are Not Returnable.	\$172.00	
06420	1968	ENGINE HARNESS V/8, Auto Trans	\$158.00	
38943	1968	ENGINE HARNESS-HEI V/8, Auto Trans Note: This Harness Is Modified For Use With An HEI Distributor.	\$173.00	
21985	1968	ENGINE HARNESS V/8, Manual Trans	\$158.00	
38971	1968	ENGINE HARNESS-HEI V/8, Manual Trans Note: This Harness Is Modified For Use With An HEI Distributor.	\$173.00	
20655	1968	ENGINE HARNESS V/8, 396 C.I., Auto Trans	\$172.00	
39026	1968	ENGINE HARNESS-HEI V/8, 396 C.I., Auto Trans Note: This Harness Is Modified For Use With An HEI Distributor.	\$187.00	
20660	1968	ENGINE HARNESS V/8, 396 C.I., Manual Trans	\$184.00	
39205	1968	ENGINE HARNESS-HEI V/8, 396 C.I., Manual Trans Note: This Harness Is Modified For Use With An HEI Distributor.	\$199.00	
20665	1969	ENGINE HARNESS 6 Cylinder, Auto Trans Note: 6 Cylinder Items Are Not Returnable.	\$172.00	
23430	1969	ENGINE HARNESS 6 Cylinder, Manual Trans Note: 6 Cylinder Items Are Not Returnable.	\$172.00	
06420	1969	ENGINE HARNESS V/8, Auto Trans	\$158.00	
38943	1969	ENGINE HARNESS-HEI V/8, Auto Trans Note: This Harness Is Modified For Use With An HEI Distributor.	\$173.00	
21985	1969	ENGINE HARNESS V/8, Manual Trans	\$158.00	
38971	1969	ENGINE HARNESS-HEI V/8, Manual Trans Note: This Harness Is Modified For Use With An HEI Distributor.	\$173.00	
20655	1969	ENGINE HARNESS V/8, 396 C.I., Auto Trans	\$172.00	
39026	1969	ENGINE HARNESS-HEI V/8, 396 C.I., Auto Trans Note: This Harness Is Modified For Use With An HEI Distributor.	\$187.00	
20660	1969	ENGINE HARNESS V/8, 396 C.I., Manual Trans	\$184.00	
39205	1969	ENGINE HARNESS-HEI V/8, 396 C.I., Manual Trans Note: This Harness Is Modified For Use With An HEI Distributor.	\$199.00	
23435	1970	ENGINE HARNESS 6 Cylinder, Auto Trans Note: 6 Cylinder Items Are Not Returnable.	\$172.00	
20850	1970	ENGINE HARNESS 6 Cylinder, Manual Trans Note: 6 Cylinder Items Are Not Returnable.	\$172.00	
31520	1970	ENGINE HARNESS V/8, Auto Trans	\$158.00	

Part Number	Year	Description	Price	*Rev.
38922	1970	ENGINE HARNESS-HEI V/8, Auto Trans Note: This Harness Is Modified For Use With An HEI Distributor.	\$173.00	
20795	1970	ENGINE HARNESS V/8, Manual Trans	\$158.00	
38950	1970	ENGINE HARNESS-HEI V/8, Manual Trans Note: This Harness Is Modified For Use With An HEI Distributor.	\$173.00	
23230	1970	ENGINE HARNESS V/8, 396 C.I., Auto Trans	\$172.00	
38954	1970	ENGINE HARNESS-HEI V/8, 396 C.I., Auto Trans Note: This Harness Is Modified For Use With An HEI Distributor.	\$187.00	
21945	1970	ENGINE HARNESS V/8, 396 C.I., Manual Trans	\$184.00	
39062	1970	ENGINE HARNESS-HEI V/8, 396 C.I., Manual Trans Note: This Harness Is Modified For Use With An HEI Distributor.	\$199.00	
23435	1971	ENGINE HARNESS 6 Cylinder, Auto Trans Note: 6 Cylinder Items Are Not Returnable.	\$172.00	
20850	1971	ENGINE HARNESS 6 Cylinder, Manual Trans Note: 6 Cylinder Items Are Not Returnable.	\$172.00	
31520	1971	ENGINE HARNESS V/8, Auto Trans	\$158.00	
38922	1971	ENGINE HARNESS-HEI V/8, Auto Trans Note: This Harness Is Modified For Use With An HEI Distributor.	\$173.00	
20795	1971	ENGINE HARNESS V/8, Manual Trans	\$158.00	
38950	1971	ENGINE HARNESS-HEI V/8, Manual Trans Note: This Harness Is Modified For Use With An HEI Distributor.	\$173.00	
23230	1971	ENGINE HARNESS V/8, 396 C.I., Auto Trans	\$172.00	
38954	1971	ENGINE HARNESS-HEI V/8, 396 C.I., Auto Trans Note: This Harness Is Modified For Use With An HEI Distributor.	\$187.00	
21945	1971	ENGINE HARNESS V/8, 396 C.I., Manual Trans	\$184.00	
39062	1971	ENGINE HARNESS-HEI V/8, 396 C.I., Manual Trans Note: This Harness Is Modified For Use With An HEI Distributor.	\$199.00	
23435	1972	ENGINE HARNESS 6 Cylinder, Auto Trans Note: 6 Cylinder Items Are Not Returnable.	\$172.00	
20850	1972	ENGINE HARNESS 6 Cylinder, Manual Trans Note: 6 Cylinder Items Are Not Returnable.	\$172.00	
31520	1972	ENGINE HARNESS V/8, Auto Trans	\$158.00	
38922	1972	ENGINE HARNESS-HEI V/8, Auto Trans Note: This Harness Is Modified For Use With An HEI Distributor.	\$173.00	
20795	1972	ENGINE HARNESS V/8, Manual Trans	\$158.00	
38950	1972	ENGINE HARNESS-HEI V/8, Manual Trans Note: This Harness Is Modified For Use With An HEI Distributor.	\$173.00	
23230	1972	ENGINE HARNESS V/8, 396 C.I., Auto Trans	\$172.00	
38954	1972	ENGINE HARNESS-HEI V/8, 396 C.I., Auto Trans Note: This Harness Is Modified For Use With An HEI Distributor.	\$187.00	
21945	1972	ENGINE HARNESS V/8, 396 C.I., Manual Trans	\$184.00	
39062	1972	ENGINE HARNESS-HEI V/8, 396 C.I., Manual Trans Note: This Harness Is Modified For Use With An HEI Distributor.	\$199.00	
35928	1973	ENGINE HARNESS 6 Cylinder, All Note: 6 Cylinder Items Are Not Returnable.	\$318.00	M
37458	1973	ENGINE HARNESS V/8, 307, 350 C.I., Auto Trans, Without Gauges	\$305.00	M
40136	1973	ENGINE HARNESS-HEI V/8, 307, 350 C.I., Auto Trans, Without Gauges Note: This Harness Is Modified For Use With An HEI Distributor.	\$322.00	M
37459	1973	ENGINE HARNESS V/8, 307, 350 C.I., Auto Trans, With Gauges	\$305.00	M

Part Number	Year	Description	Price	*Rev.
39158	1973	ENGINE HARNESS-HEI V/8, 307, 350 C.I., Auto Trans, With Gauges Note: This Harness Is Modified For Use With An HEI Distributor.	\$322.00	M
37456	1973	ENGINE HARNESS V/8, 307, 350 C.I., Manual Trans, Without Gauges	\$305.00	M
40134	1973	ENGINE HARNESS-HEI V/8, 307, 350 C.I., Manual Trans, Without Gauges Note: This Harness Is Modified For Use With An HEI Distributor.	\$322.00	M
37457	1973	ENGINE HARNESS V/8, 307, 350 C.I., Manual Trans, With Gauges	\$305.00	M
40135	1973	ENGINE HARNESS-HEI V/8, 307, 350 C.I., Manual Trans, With Gauges Note: This Harness Is Modified For Use With An HEI Distributor.	\$322.00	M
37462	1973	ENGINE HARNESS V/8, 454 C.I., Auto Trans, Without Gauges	\$305.00	M
40139	1973	ENGINE HARNESS-HEI V/8, 454 C.I., Auto Trans, Without Gauges Note: This Harness Is Modified For Use With An HEI Distributor.	\$322.00	M
37463	1973	ENGINE HARNESS V/8, 454 C.I., Auto Trans, With Gauges	\$305.00	M
39209	1973	ENGINE HARNESS-HEI V/8, 454 C.I., Auto Trans, With Gauges Note: This Harness Is Modified For Use With An HEI Distributor.	\$322.00	M
37460	1973	ENGINE HARNESS V/8, 454 C.I., Manual Trans, Without Gauges	\$305.00	M
40137	1973	ENGINE HARNESS-HEI V/8, 454 C.I., Manual Trans, Without Gauges Note: This Harness Is Modified For Use With An HEI Distributor.	\$322.00	M
37461	1973	ENGINE HARNESS V/8, 454 C.I., Manual Trans, With Gauges	\$305.00	M
40138	1973	ENGINE HARNESS-HEI V/8, 454 C.I., Manual Trans, With Gauges Note: This Harness Is Modified For Use With An HEI Distributor.	\$322.00	M
35977	1974	ENGINE HARNESS 6 Cylinder, All Note: 6 Cylinder Items Are Not Returnable.	\$359.00	M
37481	1974	ENGINE HARNESS V/8, 350 C.I., Auto Trans, Without Gauges	\$344.00	M
40140	1974	ENGINE HARNESS-HEI V/8, 350 C.I., Auto Trans, Without Gauges Note: This Harness Is Modified For Use With An HEI Distributor.	\$344.00	M
37482	1974	ENGINE HARNESS V/8, 350 C.I., Auto Trans, With Gauges	\$344.00	M
39210	1974	ENGINE HARNESS-HEI V/8, 350 C.I., Auto Trans, With Gauges Note: This Harness Is Modified For Use With An HEI Distributor.	\$344.00	M
38871	1974	ENGINE HARNESS V/8, 350 C.I., Manual Trans, Without Gauges	\$344.00	M
40144	1974	ENGINE HARNESS-HEI V/8, 350 C.I., Manual Trans, Without Gauges Note: This Harness Is Modified For Use With An HEI Distributor.	\$344.00	M
37480	1974	ENGINE HARNESS V/8, 350 C.I., Manual Trans, With Gauges	\$344.00	M
40143	1974	ENGINE HARNESS-HEI V/8, 350 C.I., Manual Trans, With Gauges Note: This Harness Is Modified For Use With An HEI Distributor.	\$344.00	M
37484	1974	ENGINE HARNESS V/8, 454 C.I., Without Gauges	\$344.00	M
40141	1974	ENGINE HARNESS-HEI V/8, 454 C.I., Without Gauges Note: This Harness Is Modified For Use With An HEI Distributor.	\$344.00	M
37485	1974	ENGINE HARNESS V/8, 454 C.I., With Gauges	\$344.00	M
40142	1974	ENGINE HARNESS-HEI V/8, 454 C.I., With Gauges Note: This Harness Is Modified For Use With An HEI Distributor.	\$344.00	M
35935	1975	ENGINE HARNESS 6 Cylinder, All Note: 6 Cylinder Items Are Not Returnable.	\$374.00	M
37496	1975	ENGINE HARNESS V/8, 350, 400 C.I., Without Gauges	\$344.00	M
37497	1975	ENGINE HARNESS V/8, 350, 400 C.I., With Gauges	\$344.00	M
37498	1975	ENGINE HARNESS V/8, 454 C.I., Without Gauges & California Emission System	\$344.00	M
38872	1975	ENGINE HARNESS V/8, 454 C.I., With Gauges, Without California Emission System	\$344.00	M
37502	1975	ENGINE HARNESS V/8, 454 C.I., 1/2 Ton, Without Gauges, With California Emission System	\$344.00	M

Part Number	Year	Description	Price	*Rev.
37503	1975	ENGINE HARNESS V/8, 454 C.I., 1/2 Ton, With Gauges & California Emission System	\$344.00	M
37506	1975	ENGINE HARNESS V/8, 454 C.I., 3/4 & 1-Ton, Without Gauges, With California Emission System	\$344.00	M
37507	1975	ENGINE HARNESS V/8, 454 C.I., 3/4 & 1-Ton, With Gauges & California Emission System	\$344.00	M
35954	1976	ENGINE HARNESS 6 Cylinder, 250 C.I. Note: 6 Cylinder Items Are Not Returnable.	\$374.00	M
35932	1976	ENGINE HARNESS 6 Cylinder, 292 C.I. Note: 6 Cylinder Items Are Not Returnable.	\$359.00	M
38135	1976	ENGINE HARNESS V/8, 350, 400 C.I.	\$318.00	M
35967	1976	ENGINE HARNESS V/8, 454 C.I., With Heavy Duty Chassis	\$344.00	M
35968	1976	ENGINE HARNESS V/8, 454 C.I., Without Heavy Duty Chassis	\$358.00	M
35969	1977	ENGINE HARNESS 6 Cylinder, 250 C.I. Note: 6 Cylinder Items Are Not Returnable.	\$374.00	M
37516	1977	ENGINE HARNESS 6 Cylinder, 292 C.I. Note: 6 Cylinder Items Are Not Returnable.	\$374.00	M
38136	1977	ENGINE HARNESS V/8, 305, 350, 400 C.I.	\$318.00	M
35970	1977	ENGINE HARNESS V/8, 454 C.I., Except Heavy Duty Chassis	\$358.00	M
35972	1977	ENGINE HARNESS V/8, 454 C.I., With Heavy Duty Chassis	\$318.00	M
35975	1978	ENGINE HARNESS 6 Cylinder, 250 C.I., Without California Emissions, & All 292 C.I. Note: 6 Cylinder Items Are Not Returnable.	\$374.00	M
35911	1978	ENGINE HARNESS 6 Cylinder, 250 C.I., With California Emissions Note: 6 Cylinder Items Are Not Returnable.	\$374.00	M
38140	1978	ENGINE HARNESS V/8, 305, 350, 400 C.I.	\$332.00	M
35973	1978	ENGINE HARNESS V/8, 454 C.I.	\$332.00	M
37520	1979	ENGINE HARNESS 6 Cylinder, 250 C.I. Note: 6 Cylinder Items Are Not Returnable.	\$387.00	M
37522	1979	ENGINE HARNESS 6 Cylinder, 292 C.I. Note: 6 Cylinder Items Are Not Returnable.	\$387.00	M
22630	1979	ENGINE HARNESS V/8, 454 C.I.	\$332.00	M
38144	1979	ENGINE HARNESS V/8, 305, 350, 400 C.I.	\$332.00	M
37520	1980	ENGINE HARNESS 6 Cylinder, 250 C.I. Note: 6 Cylinder Items Are Not Returnable.	\$387.00	M
37522	1980	ENGINE HARNESS 6 Cylinder, 292 C.I. Note: 6 Cylinder Items Are Not Returnable.	\$387.00	M
38144	1980	ENGINE HARNESS V/8, 305, 350, 400 C.I.	\$332.00	M
22630	1980	ENGINE HARNESS V/8, 454 C.I.	\$332.00	M
37528	1981	ENGINE HARNESS 6 Cylinder, 250 C.I. Note: 6 Cylinder Items Are Not Returnable.	\$387.00	M
37531	1981	ENGINE HARNESS 6 Cylinder, 292 C.I. Note: 6 Cylinder Items Are Not Returnable.	\$401.00	M
37530	1981	ENGINE HARNESS V/8, 305, 350 C.I.	\$332.00	M
37529	1981	ENGINE HARNESS V/8, 454 C.I.	\$344.00	M
37528	1982	ENGINE HARNESS 6 Cylinder, 250 C.I., With California Emissions Note: 6 Cylinder Items Are Not Returnable.	\$387.00	M
37531	1982	ENGINE HARNESS 6 Cylinder, 292 C.I. Note: 6 Cylinder Items Are Not Returnable.	\$401.00	M

Part Number	Year	Description	Price	*Rev.
37539	1982	ENGINE HARNESS 6 Cylinder, 250 C.I., Without California Emissions Note: 6 Cylinder Items Are Not Returnable.	\$401.00	M
37530	1982	ENGINE HARNESS V/8, 305, 350 C.I., With Electric Choke	\$332.00	M
38149	1982	ENGINE HARNESS V/8, 305, 350 C.I., Without Electric Choke	\$332.00	M
37529	1982	ENGINE HARNESS V/8, 454 C.I.	\$344.00	M
38883	1982	ENGINE HARNESS EXTENSION Diesel, Glow Plug Relay To Engine Harness	\$133.00	M
ENGINE INDICATOR LAMP HARNESS				
37538	1982	ENGINE INDICATOR LAMP HARNESS Diesel, Fuse Block To Dash Indicator Warning Lamps	\$147.00	M
FORWARD LAMP HARNESS				
06350	1955	FORWARD LAMP HARNESS 6 Cylinder, With Stock Generator, (12 Volt) Note: 6 Cylinder Items Are Not Returnable.	\$119.00	
02415	1955	FORWARD LAMP HARNESS V/8, With Stock Generator, (12 Volt)	\$119.00	
35035	1955	FORWARD LAMP HARNESS V/8, With Stock Generator, (12 Volt) & Directional Leads	\$132.00	
02400	1956	FORWARD LAMP HARNESS 6 Cylinder, With Stock Generator Note: 6 Cylinder Items Are Not Returnable.	\$132.00	
35045	1956	FORWARD LAMP HARNESS 6 Cylinder, With Stock Generator & Directional Leads Note: 6 Cylinder Items Are Not Returnable.	\$132.00	
02415	1956	FORWARD LAMP HARNESS V/8, With Stock Generator	\$119.00	
35030	1956	FORWARD LAMP HARNESS V/8, With Stock Generator & Directional Leads	\$132.00	
02555	1957	FORWARD LAMP HARNESS With Stock Generator	\$119.00	
35040	1957	FORWARD LAMP HARNESS With Stock Generator & Directional Leads	\$119.00	
30860	1957	FORWARD LAMP HARNESS With Stock Heavy Duty Generator	\$132.00	
02715	1958	FORWARD LAMP HARNESS With Stock Generator	\$119.00	
35055	1958	FORWARD LAMP HARNESS With Stock Generator & Directional Leads	\$119.00	
30805	1958	FORWARD LAMP HARNESS With Stock Heavy Duty Generator	\$132.00	
02715	1959	FORWARD LAMP HARNESS With Stock Generator	\$119.00	
35055	1959	FORWARD LAMP HARNESS With Stock Generator & Directional Leads	\$119.00	
02960	1960	FORWARD LAMP AND GENERATOR HARNESS Without Gauges Note: Requires Part #03065 To Complete Voltage Regulator Wiring.	\$140.00	
02990	1960	FORWARD LAMP AND GENERATOR HARNESS With Gauges Note: Requires Part #03065 To Complete Voltage Regulator Wiring.	\$153.00	
03065	1960	FORWARD LAMP EXTENSION HARNESS Generator To Voltage Regulator Note: Not Needed If Using Alternator Conversion Harness.	\$49.00	
03590	1961	FORWARD LAMP AND GENERATOR HARNESS	\$147.00	
03590	1962	FORWARD LAMP AND GENERATOR HARNESS	\$147.00	
04025	1962	FORWARD LAMP AND ALTERNATOR HARNESS With Original Type (1962 Only) Voltage Regulator	\$147.00	
04715	1963	FORWARD LAMP HARNESS With Gauges	\$140.00	
39020	1963	FORWARD LAMP HARNESS-INT REG ALT DRIVER SIDE With Gauges Note: Modified For Driver Side Mounted 1972-84 Non-Serpentine Belt ("SI" Series) Internal Regulated Alternators.	\$165.00	
39102	1963	FORWARD LAMP HARNESS-INT REG ALT PASSENGER SIDE With Gauges Note: Modified For Passenger Side Mounted 1972-84 Non-Serpentine Belt ("SI" Series) Internal Regulated Alternators.	\$175.00	
04125	1963	FORWARD LAMP HARNESS Without Gauges	\$140.00	
39025	1963	FORWARD LAMP HARNESS-INT REG ALT DRIVER SIDE Without Gauges Note: Modified For Driver Side Mounted 1972-84 Non-Serpentine Belt ("SI" Series) Internal Regulated Alternators.	\$165.00	
39284	1963	FORWARD LAMP HARNESS-INT REG ALT PASSENGER SIDE Without Gauges Note: Modified For Passenger Side Mounted 1972-84 Non-Serpentine Belt ("SI" Series) Internal Regulated Alternators.	\$175.00	
04715	1964	FORWARD LAMP HARNESS With Gauges	\$140.00	

Part Number	Year	Description	Price	*Rev.
39020	1964	FORWARD LAMP HARNESS-INT REG ALT DRIVER SIDE With Gauges Note: Modified For Driver Side Mounted 1972-84 Non-Serpentine Belt ("SI" Series) Internal Regulated Alternators.	\$165.00	
39102	1964	FORWARD LAMP HARNESS-INT REG ALT PASSENGER SIDE With Gauges Note: Modified For Passenger Side Mounted 1972-84 Non-Serpentine Belt ("SI" Series) Internal Regulated Alternators.	\$175.00	
04125	1964	FORWARD LAMP HARNESS Without Gauges	\$140.00	
39025	1964	FORWARD LAMP HARNESS-INT REG ALT DRIVER SIDE Without Gauges Note: Modified For Driver Side Mounted 1972-84 Non-Serpentine Belt ("SI" Series) Internal Regulated Alternators.	\$165.00	
39284	1964	FORWARD LAMP HARNESS-INT REG ALT PASSENGER SIDE Without Gauges Note: Modified For Passenger Side Mounted 1972-84 Non-Serpentine Belt ("SI" Series) Internal Regulated Alternators.	\$175.00	
04715	1965	FORWARD LAMP HARNESS With Gauges	\$140.00	
39020	1965	FORWARD LAMP HARNESS-INT REG ALT DRIVER SIDE With Gauges Note: Modified For Driver Side Mounted 1972-84 Non-Serpentine Belt ("SI" Series) Internal Regulated Alternators.	\$165.00	
39102	1965	FORWARD LAMP HARNESS-INT REG ALT PASSENGER SIDE With Gauges Note: Modified For Passenger Side Mounted 1972-84 Non-Serpentine Belt ("SI" Series) Internal Regulated Alternators.	\$175.00	
04125	1965	FORWARD LAMP HARNESS Without Gauges	\$140.00	
39025	1965	FORWARD LAMP HARNESS-INT REG ALT DRIVER SIDE Without Gauges Note: Modified For Driver Side Mounted 1972-84 Non-Serpentine Belt ("SI" Series) Internal Regulated Alternators.	\$165.00	
39284	1965	FORWARD LAMP HARNESS-INT REG ALT PASSENGER SIDE Without Gauges Note: Modified For Passenger Side Mounted 1972-84 Non-Serpentine Belt ("SI" Series) Internal Regulated Alternators.	\$175.00	
04715	1966	FORWARD LAMP HARNESS With Gauges	\$140.00	
39020	1966	FORWARD LAMP HARNESS-INT REG ALT DRIVER SIDE With Gauges Note: Modified For Driver Side Mounted 1972-84 Non-Serpentine Belt ("SI" Series) Internal Regulated Alternators.	\$165.00	
39102	1966	FORWARD LAMP HARNESS-INT REG ALT PASSENGER SIDE With Gauges Note: Modified For Passenger Side Mounted 1972-84 Non-Serpentine Belt ("SI" Series) Internal Regulated Alternators.	\$175.00	
04125	1966	FORWARD LAMP HARNESS Without Gauges	\$140.00	
39025	1966	FORWARD LAMP HARNESS-INT REG ALT DRIVER SIDE Without Gauges Note: Modified For Driver Side Mounted 1972-84 Non-Serpentine Belt ("SI" Series) Internal Regulated Alternators.	\$165.00	
39284	1966	FORWARD LAMP HARNESS-INT REG ALT PASSENGER SIDE Without Gauges Note: Modified For Passenger Side Mounted 1972-84 Non-Serpentine Belt ("SI" Series) Internal Regulated Alternators.	\$175.00	
21250	1967	FORWARD LAMP HARNESS With Gauges	\$264.00	
39045	1967	FORWARD LAMP HARNESS-INT REG ALT DRIVER SIDE With Gauges Note: Modified For Driver Side Mounted 1972-84 Non-Serpentine Belt ("SI" Series) Internal Regulated Alternators.	\$289.00	
39203	1967	FORWARD LAMP HARNESS-INT REG ALT PASSENGER SIDE With Gauges Note: Modified For Passenger Side Mounted 1972-84 Non-Serpentine Belt ("SI" Series) Internal Regulated Alternators.	\$299.00	
23440	1967	FORWARD LAMP HARNESS Without Gauges	\$264.00	
39124	1967	FORWARD LAMP HARNESS-INT REG ALT DRIVER SIDE Without Gauges Note: Modified For Driver Side Mounted 1972-84 Non-Serpentine Belt ("SI" Series) Internal Regulated Alternators.	\$289.00	
39285	1967	FORWARD LAMP HARNESS-INT REG ALT PASSENGER SIDE Without Gauges Note: Modified For Passenger Side Mounted 1972-84 Non-Serpentine Belt ("SI" Series) Internal Regulated Alternators.	\$299.00	
22500	1968	FORWARD LAMP HARNESS With Gauges, Without Side Marker Lights	\$264.00	
39125	1968	FORWARD LAMP HARNESS-INT REG ALT DRIVER SIDE With Gauges, Without Side Marker Lights Note: Modified For Driver Side Mounted 1972-84 Non-Serpentine Belt ("SI" Series) Internal Regulated Alternators.	\$289.00	
39204	1968	FORWARD LAMP HARNESS-INT REG ALT PASSENGER SIDE With Gauges, Without Side Marker Lights Note: Modified For Passenger Side Mounted 1972-84 Non-Serpentine Belt ("SI" Series) Internal Regulated Alternators.	\$299.00	
22490	1968	FORWARD LAMP HARNESS Without Gauges, Without Side Marker Lights	\$264.00	
39154	1968	FORWARD LAMP HARNESS-INT REG ALT DRIVER SIDE Without Gauges, Without Side Marker Lights Note: Modified For Driver Side Mounted 1972-84 Non-Serpentine Belt ("SI" Series) Internal Regulated Alternators.	\$289.00	
39286	1968	FORWARD LAMP HARNESS-INT REG ALT PASSENGER SIDE Without Gauges, Without Side Marker Lights Note: Modified For Passenger Side Mounted 1972-84 Non-Serpentine Belt ("SI" Series) Internal Regulated Alternators.	\$299.00	

Part Number	Year	Description	Price	*Rev.
22220	1969	FORWARD LAMP HARNESS With Gauges, With Side Marker Lights	\$264.00	
38929	1969	FORWARD LAMP HARNESS-INT REG ALT DRIVER SIDE With Gauges, With Side Marker Lights Note: Modified For Driver Side Mounted 1972-84 Non-Serpentine Belt ("SI" Series) Internal Regulated Alternators.	\$289.00	
39155	1969	FORWARD LAMP HARNESS-INT REG ALT PASSENGER SIDE With Gauges, With Side Marker Lights Note: Modified For Passenger Side Mounted 1972-84 Non-Serpentine Belt ("SI" Series) Internal Regulated Alternators.	\$299.00	
22500	1969	FORWARD LAMP HARNESS With Gauges, Without Side Marker Lights	\$264.00	
39125	1969	FORWARD LAMP HARNESS-INT REG ALT DRIVER SIDE With Gauges, Without Side Marker Lights Note: Modified For Driver Side Mounted 1972-84 Non-Serpentine Belt ("SI" Series) Internal Regulated Alternators.	\$289.00	
39204	1969	FORWARD LAMP HARNESS-INT REG ALT PASSENGER SIDE With Gauges, Without Side Marker Lights Note: Modified For Passenger Side Mounted 1972-84 Non-Serpentine Belt ("SI" Series) Internal Regulated Alternators.	\$299.00	
23445	1969	FORWARD LAMP HARNESS Without Gauges, With Side Marker Lights	\$264.00	
39021	1969	FORWARD LAMP HARNESS-INT REG ALT DRIVER SIDE Without Gauges, With Side Marker Lights Note: Modified For Driver Side Mounted 1972-84 Non-Serpentine Belt ("SI" Series) Internal Regulated Alternators.	\$289.00	
39207	1969	FORWARD LAMP HARNESS-INT REG ALT PASSENGER SIDE Without Gauges, With Side Marker Lights Note: Modified For Passenger Side Mounted 1972-84 Non-Serpentine Belt ("SI" Series) Internal Regulated Alternators.	\$299.00	
37665	1969	FORWARD LAMP HARNESS Without Gauges, Without Side Marker Lights	\$304.00	
22220	1970	FORWARD LAMP HARNESS With Gauges	\$264.00	
38929	1970	FORWARD LAMP HARNESS-INT REG ALT DRIVER SIDE With Gauges Note: Modified For Driver Side Mounted 1972-84 Non-Serpentine Belt ("SI" Series) Internal Regulated Alternators.	\$289.00	
39155	1970	FORWARD LAMP HARNESS-INT REG ALT PASSENGER SIDE With Gauges Note: Modified For Passenger Side Mounted 1972-84 Non-Serpentine Belt ("SI" Series) Internal Regulated Alternators.	\$299.00	
23445	1970	FORWARD LAMP HARNESS Without Gauges	\$264.00	
39021	1970	FORWARD LAMP HARNESS-INT REG ALT DRIVER SIDE Without Gauges Note: Modified For Driver Side Mounted 1972-84 Non-Serpentine Belt ("SI" Series) Internal Regulated Alternators.	\$289.00	
39207	1970	FORWARD LAMP HARNESS-INT REG ALT PASSENGER SIDE Without Gauges Note: Modified For Passenger Side Mounted 1972-84 Non-Serpentine Belt ("SI" Series) Internal Regulated Alternators.	\$299.00	
22220	1971	FORWARD LAMP HARNESS With Gauges	\$264.00	
38929	1971	FORWARD LAMP HARNESS-INT REG ALT DRIVER SIDE With Gauges Note: Modified For Driver Side Mounted 1972-84 Non-Serpentine Belt ("SI" Series) Internal Regulated Alternators.	\$289.00	
39155	1971	FORWARD LAMP HARNESS-INT REG ALT PASSENGER SIDE With Gauges Note: Modified For Passenger Side Mounted 1972-84 Non-Serpentine Belt ("SI" Series) Internal Regulated Alternators.	\$299.00	
23445	1971	FORWARD LAMP HARNESS Without Gauges	\$264.00	
39021	1971	FORWARD LAMP HARNESS-INT REG ALT DRIVER SIDE Without Gauges Note: Modified For Driver Side Mounted 1972-84 Non-Serpentine Belt ("SI" Series) Internal Regulated Alternators.	\$289.00	
39207	1971	FORWARD LAMP HARNESS-INT REG ALT PASSENGER SIDE Without Gauges Note: Modified For Passenger Side Mounted 1972-84 Non-Serpentine Belt ("SI" Series) Internal Regulated Alternators.	\$299.00	
22220	1972	FORWARD LAMP HARNESS With Gauges	\$264.00	
38929	1972	FORWARD LAMP HARNESS-INT REG ALT DRIVER SIDE With Gauges Note: Modified For Driver Side Mounted 1972-84 Non-Serpentine Belt ("SI" Series) Internal Regulated Alternators.	\$289.00	
39155	1972	FORWARD LAMP HARNESS-INT REG ALT PASSENGER SIDE With Gauges Note: Modified For Passenger Side Mounted 1972-84 Non-Serpentine Belt ("SI" Series) Internal Regulated Alternators.	\$299.00	
23445	1972	FORWARD LAMP HARNESS Without Gauges	\$264.00	
39021	1972	FORWARD LAMP HARNESS-INT REG ALT DRIVER SIDE Without Gauges Note: Modified For Driver Side Mounted 1972-84 Non-Serpentine Belt ("SI" Series) Internal Regulated Alternators.	\$289.00	
39207	1972	FORWARD LAMP HARNESS-INT REG ALT PASSENGER SIDE Without Gauges Note: Modified For Passenger Side Mounted 1972-84 Non-Serpentine Belt ("SI" Series) Internal Regulated Alternators.	\$299.00	
35925	1973	FORWARD LAMP HARNESS	\$304.00	M
35925	1974	FORWARD LAMP HARNESS	\$304.00	M
35971	1975	FORWARD LAMP HARNESS	\$290.00	M

Part Number	Year	Description	Price	*Rev.
35971	1976	FORWARD LAMP HARNESS	\$290.00	M
35971	1977	FORWARD LAMP HARNESS	\$290.00	M
35971	1978	FORWARD LAMP HARNESS	\$290.00	M
35971	1979	FORWARD LAMP HARNESS	\$290.00	M
37524	1980	FORWARD LAMP HARNESS With Rectangular Headlights	\$304.00	M
35971	1980	FORWARD LAMP HARNESS With Round Headlights	\$290.00	M
37526	1981	FORWARD LAMP HARNESS With Single Headlights	\$330.00	M
37527	1981	FORWARD LAMP HARNESS With Dual Headlights	\$317.00	M
38150	1982	FORWARD LAMP HARNESS With Single Headlights	\$317.00	M
38151	1982	FORWARD LAMP HARNESS With Dual Headlights	\$317.00	M
FOUR WHEEL DRIVE INDICATOR LAMP EXT HARNESS				
39842	1977	FOUR WHEEL DRIVE INDICATOR LAMP EXTENSION HARNESS With Auto Trans, Transfer Case Switch To Indicator Lamp Harness	\$53.00	M
39842	1978	FOUR WHEEL DRIVE INDICATOR LAMP EXTENSION HARNESS With Auto Trans, Transfer Case Switch To Indicator Lamp Harness	\$53.00	M
39842	1979	FOUR WHEEL DRIVE INDICATOR LAMP EXTENSION HARNESS With Auto Trans, Transfer Case Switch To Indicator Lamp Harness	\$53.00	M
FRONT CORNER MARKER LAMP HARNESS				
39746	1973	FRONT CORNER MARKER LAMP HARNESS Stakebed & Flatbed	\$60.00	M
39746	1974	FRONT CORNER MARKER LAMP HARNESS Stakebed & Flatbed	\$60.00	M
39746	1975	FRONT CORNER MARKER LAMP HARNESS Stakebed & Flatbed	\$60.00	M
39746	1976	FRONT CORNER MARKER LAMP HARNESS 1-Ton, Stakebed & Flatbed, With 135.5 In. Wheel Base	\$60.00	M
39746	1977	FRONT CORNER MARKER LAMP HARNESS 1-Ton, Stakebed & Flatbed, With 135.5 In. Wheel Base	\$60.00	M
39746	1978	FRONT CORNER MARKER LAMP HARNESS 1-Ton, Stakebed & Flatbed, With 135.5 In. Wheel Base	\$60.00	M
39746	1979	FRONT CORNER MARKER LAMP HARNESS 1-Ton, Stakebed & Flatbed, With 135.5 In. Wheel Base	\$60.00	M
39746	1980	FRONT CORNER MARKER LAMP HARNESS 1-Ton, Stakebed & Flatbed, With 135.5 In. Wheel Base	\$60.00	M
39746	1981	FRONT CORNER MARKER LAMP HARNESS 1-Ton, Stakebed & Flatbed, With 135.5 In. Wheel Base	\$60.00	M
39746	1982	FRONT CORNER MARKER LAMP HARNESS 1-Ton, Stakebed & Flatbed, With 135.5 In. Wheel Base	\$60.00	M
FUEL GAUGE				
44222	1947	FUEL GAUGE 12 Volt, Red Needle Note: GM Did Not Sell This Gauge Originally, This Gauge Is For Vehicles Converted Over To 12 Volts, But Still Maintains The Original Appearance.	\$74.00	N
01516973	1947	FUEL GAUGE 6 Volt, Red Needle	\$74.00	N
44222	1948	FUEL GAUGE 12 Volt, Red Needle Note: GM Did Not Sell This Gauge Originally, This Gauge Is For Vehicles Converted Over To 12 Volts, But Still Maintains The Original Appearance.	\$74.00	N
01516973	1948	FUEL GAUGE 6 Volt, Red Needle	\$74.00	N
44229	1949	FUEL GAUGE 12 Volt, White Needle Note: GM Did Not Sell This Gauge Originally, This Gauge Is For Vehicles Converted Over To 12 Volts, But Still Maintains The Original Appearance.	\$74.00	N
01517169	1949	FUEL GAUGE 6 Volt, White Needle	\$74.00	N
44229	1950	FUEL GAUGE 12 Volt, White Needle Note: GM Did Not Sell This Gauge Originally, This Gauge Is For Vehicles Converted Over To 12 Volts, But Still Maintains The Original Appearance.	\$74.00	N
01517169	1950	FUEL GAUGE 6 Volt, White Needle	\$74.00	N
44229	1951	FUEL GAUGE 12 Volt, White Needle Note: GM Did Not Sell This Gauge Originally, This Gauge Is For Vehicles Converted Over To 12 Volts, But Still Maintains The Original Appearance.	\$74.00	N
01517169	1951	FUEL GAUGE 6 Volt, White Needle	\$74.00	N

Part Number	Year	Description	Price	*Rev.
44229	1952	FUEL GAUGE 12 Volt, White Needle Note: GM Did Not Sell This Gauge Originally, This Gauge Is For Vehicles Converted Over To 12 Volts, But Still Maintains The Original Appearance.	\$74.00	N
01517169	1952	FUEL GAUGE 6 Volt, White Needle	\$74.00	N
44229	1953	FUEL GAUGE 12 Volt, White Needle Note: GM Did Not Sell This Gauge Originally, This Gauge Is For Vehicles Converted Over To 12 Volts, But Still Maintains The Original Appearance.	\$74.00	N
01517169	1953	FUEL GAUGE 6 Volt, White Needle	\$74.00	N
01517880	1954	FUEL GAUGE 6 Volt	\$74.00	N
44236	1955	FUEL GAUGE 12 Volt	\$74.00	N
44236	1955	FUEL GAUGE 1st Series, 12 Volt	\$74.00	N
01517880	1955	FUEL GAUGE 1st Series, 6 Volt	\$74.00	N
01518462	1955	FUEL GAUGE	\$85.00	N
01518462	1956	FUEL GAUGE	\$85.00	N
01518462	1957	FUEL GAUGE	\$85.00	N
01518462	1958	FUEL GAUGE	\$85.00	N
01518462	1959	FUEL GAUGE	\$85.00	N
05644548	1960	FUEL GAUGE	\$74.00	N
05644548	1961	FUEL GAUGE	\$74.00	N
05644548	1962	FUEL GAUGE	\$74.00	N
05644548	1963	FUEL GAUGE	\$74.00	N
05644735	1964	FUEL GAUGE With Gauges	\$74.00	N
05644488	1964	FUEL GAUGE With Warning Lights	\$74.00	N
05644735	1965	FUEL GAUGE With Gauges	\$74.00	N
05644488	1965	FUEL GAUGE With Warning Lights	\$74.00	N
05644735	1966	FUEL GAUGE With Gauges	\$74.00	N
05644488	1966	FUEL GAUGE With Warning Lights	\$74.00	N
06457910	1967	FUEL GAUGE	\$47.00	N
06457910	1968	FUEL GAUGE	\$47.00	N
06457910	1969	FUEL GAUGE	\$47.00	N
06457910	1970	FUEL GAUGE	\$47.00	N
06457910	1971	FUEL GAUGE	\$47.00	N
06457910	1972	FUEL GAUGE	\$47.00	N
06431698	1973	FUEL GAUGE Fire Orange Needle, With Tachometer	\$54.00	N
06431731	1973	FUEL GAUGE Fire Orange Needle, Without Tachometer	\$54.00	N
06431698	1974	FUEL GAUGE Fire Orange Needle, With Tachometer	\$54.00	N
06431731	1974	FUEL GAUGE Fire Orange Needle, Without Tachometer	\$54.00	N
06432019	1975	FUEL GAUGE Fire Orange Needle, Unleaded Fuel Only, With Tachometer	\$54.00	N
06431698	1975	FUEL GAUGE Fire Orange Needle, With Tachometer	\$54.00	N
06431731	1975	FUEL GAUGE Fire Orange Needle, Without Tachometer	\$54.00	N
06432326	1976	FUEL GAUGE Fire Orange Needle, Unleaded Fuel Only, Without Tachometer	\$54.00	N
06432019	1976	FUEL GAUGE Fire Orange Needle, Unleaded Fuel Only, With Tachometer	\$54.00	N
06431698	1976	FUEL GAUGE Fire Orange Needle, With Tachometer	\$54.00	N
06432170	1976	FUEL GAUGE Fire Orange Needle, Without Tachometer	\$54.00	N
06432326	1977	FUEL GAUGE Fire Orange Needle, Unleaded Fuel Only, Without Tachometer	\$54.00	N
06432019	1977	FUEL GAUGE Fire Orange Needle, Unleaded Fuel Only, With Tachometer	\$54.00	N
06431698	1977	FUEL GAUGE Fire Orange Needle, With Tachometer	\$54.00	N

Part Number	Year	Description	Price	*Rev.
06432170	1977	FUEL GAUGE Fire Orange Needle, Without Tachometer	\$54.00	N
06432326	1978	FUEL GAUGE Fire Orange Needle, Unleaded Fuel Only, Without Tachometer	\$54.00	N
06432019	1978	FUEL GAUGE Fire Orange Needle, Unleaded Fuel Only, With Tachometer	\$54.00	N
06431698	1978	FUEL GAUGE Fire Orange Needle, With Tachometer	\$54.00	N
06432170	1978	FUEL GAUGE Fire Orange Needle, Without Tachometer	\$54.00	N
06432326	1979	FUEL GAUGE 1st Design, Fire Orange Needle, Unleaded Fuel Only, Without Tachometer	\$54.00	N
06432019	1979	FUEL GAUGE 1st Design, Fire Orange Needle, Unleaded Fuel Only, With Tachometer	\$54.00	N
06431698	1979	FUEL GAUGE 1st Design, Fire Orange Needle, With Tachometer	\$54.00	N
06432170	1979	FUEL GAUGE 1st Design, Fire Orange Needle, Without Tachometer	\$54.00	N
06433358	1979	FUEL GAUGE 2nd Design, Light Orange Needle, Unleaded Fuel Only, Without Tachometer	\$54.00	N
06432844	1979	FUEL GAUGE 2nd Design, Light Orange Needle, With Tachometer	\$54.00	N
06433358	1980	FUEL GAUGE Light Orange Needle, Unleaded Fuel Only, Without Tachometer	\$54.00	N
06432844	1980	FUEL GAUGE Light Orange Needle, With Tachometer	\$54.00	N
06433358	1981	FUEL GAUGE Light Orange Needle, Unleaded Fuel Only, Without Tachometer	\$54.00	N
06432844	1981	FUEL GAUGE Light Orange Needle, With Tachometer	\$54.00	N
06433358	1982	FUEL GAUGE Light Orange Needle, Unleaded Fuel Only, Without Tachometer	\$54.00	N
06432844	1982	FUEL GAUGE Light Orange Needle, With Tachometer	\$54.00	N
06433358	1983	FUEL GAUGE Light Orange Needle, Unleaded Fuel Only, Without Tachometer	\$54.00	N
06432844	1983	FUEL GAUGE Light Orange Needle, With Tachometer	\$54.00	N
06433358	1984	FUEL GAUGE Light Orange Needle, Unleaded Fuel Only, Without Tachometer	\$54.00	N
06432844	1984	FUEL GAUGE Light Orange Needle, With Tachometer	\$54.00	N
06433358	1985	FUEL GAUGE Light Orange Needle, Unleaded Fuel Only, Without Tachometer	\$54.00	N
06432844	1985	FUEL GAUGE Light Orange Needle, With Tachometer	\$54.00	N
06433358	1986	FUEL GAUGE Light Orange Needle, Unleaded Fuel Only, Without Tachometer	\$54.00	N
06432844	1986	FUEL GAUGE Light Orange Needle, With Tachometer	\$54.00	N
06433358	1987	FUEL GAUGE Light Orange Needle, Unleaded Fuel Only, Without Tachometer	\$54.00	N
06432844	1987	FUEL GAUGE Light Orange Needle, With Tachometer	\$54.00	N
FUEL TANK SELECTOR SWITCH HARNESS				
39756	1973	FUEL TANK SELECTOR SWITCH HARNESS All, Except Fleetside Bed, Dash Switch To Firewall,	\$80.00	M
39756	1974	FUEL TANK SELECTOR SWITCH HARNESS All, With Fleetside Bed, Dash Switch To Firewall,	\$80.00	M
39756	1975	FUEL TANK SELECTOR SWITCH HARNESS All, With Fleetside Bed, Dash Switch To Firewall	\$80.00	M
39357	1980	FUEL TANK SELECTOR SWITCH HARNESS All, Dash Switch To Firewall	\$80.00	M
40019	1982	FUEL TANK SELECTOR SWITCH HARNESS All, Dash Switch To Firewall, (2nd Design), Firewall Connector Has 2 Wires In A -"T" -Shaped Pattern	\$80.00	M
FUEL TANK SENDER WIRE				
23045	1955	FUEL TANK SENDER WIRE	\$17.00	
23045	1955	FUEL TANK SENDER WIRE	\$17.00	
23045	1956	FUEL TANK SENDER WIRE	\$17.00	
22510	1957	FUEL TANK SENDER WIRE	\$17.00	
22510	1958	FUEL TANK SENDER WIRE	\$17.00	
22510	1959	FUEL TANK SENDER WIRE	\$17.00	
38069	1960	FUEL TANK SENDER WIRE	\$17.00	
38069	1961	FUEL TANK SENDER WIRE	\$17.00	
43980	1962	FUEL TANK SENDER WIRE	\$22.00	
43980	1963	FUEL TANK SENDER WIRE	\$22.00	

Part Number	Year	Description	Price	*Rev.
19960	1964	FUEL TANK SENDER WIRE	\$22.00	
19960	1965	FUEL TANK SENDER WIRE	\$22.00	
19960	1966	FUEL TANK SENDER WIRE	\$22.00	
23570	1967	FUEL TANK SENDER WIRE Except Panel & Suburban	\$22.00	
36249	1967	FUEL TANK SENDER EXTENSION, PANEL AND SUBURBAN Sender To #36237 Rear License Plate & Fuel Tank Harness	\$17.00	
23570	1968	FUEL TANK SENDER WIRE Except Panel & Suburban	\$22.00	
36249	1968	FUEL TANK SENDER EXTENSION, PANEL AND SUBURBAN Sender To #36237 Rear License Plate & Fuel Tank Harness	\$17.00	
37652	1969	FUEL TANK SENDER WIRE Blazer	\$27.00	
23570	1969	FUEL TANK SENDER WIRE Except Panel & Suburban	\$22.00	
36249	1969	FUEL TANK SENDER EXTENSION, PANEL AND SUBURBAN Sender To #36237 Rear License Plate & Fuel Tank Harness	\$17.00	
37652	1970	FUEL TANK SENDER WIRE Blazer	\$27.00	
23570	1970	FUEL TANK SENDER WIRE Except Panel & Suburban	\$22.00	
36249	1970	FUEL TANK SENDER EXTENSION, PANEL AND SUBURBAN Sender To #36237 Rear License Plate & Fuel Tank Harness	\$17.00	
37652	1971	FUEL TANK SENDER WIRE Blazer	\$27.00	
23570	1971	FUEL TANK SENDER WIRE Except Panel & Suburban	\$22.00	
36249	1971	FUEL TANK SENDER EXTENSION, PANEL AND SUBURBAN Sender To #36237 Rear License Plate & Fuel Tank Harness	\$17.00	
37652	1972	FUEL TANK SENDER WIRE Blazer	\$27.00	
23570	1972	FUEL TANK SENDER WIRE Except Panel & Suburban	\$22.00	
36249	1972	FUEL TANK SENDER EXTENSION, PANEL AND SUBURBAN Sender To #36237 Rear License Plate & Fuel Tank Harness	\$17.00	
39739	1973	FUEL TANK SENDER EXTENSION WIRE Blazer	\$35.00	N
39739	1974	FUEL TANK SENDER EXTENSION WIRE Blazer	\$35.00	N
39739	1975	FUEL TANK SENDER EXTENSION WIRE Blazer	\$35.00	N
39739	1976	FUEL TANK SENDER EXTENSION WIRE Blazer	\$35.00	N
39739	1977	FUEL TANK SENDER EXTENSION WIRE Blazer	\$35.00	N
39739	1978	FUEL TANK SENDER EXTENSION WIRE Blazer	\$35.00	N
39739	1979	FUEL TANK SENDER EXTENSION WIRE Blazer	\$35.00	N
39739	1980	FUEL TANK SENDER EXTENSION WIRE Blazer	\$35.00	N
FUEL TANK SENDING UNIT				
01517500	1947	FUEL TANK SENDING UNIT Original Style, No Fuel Pick-Up Tube Note: Includes Gaskets, No Filter Sock Included As It Is Separate.	\$39.00	N
06428049	1947	FUEL TANK SENDING UNIT Replacement, With Fuel Pick-Up Tube, Includes Gaskets & Filter Sock Note: In 1947 To 1953 The Pick-Up Tube Was A Separate Item, See 01517500. On 1954 To 1959 This Is A Stock Unit But Can Also Replace 1947 To 1953.	\$39.00	N
01517500	1948	FUEL TANK SENDING UNIT Original Style, No Fuel Pick-Up Tube Note: Includes Gaskets, No Filter Sock Included As It Is Separate.	\$39.00	N
06428049	1948	FUEL TANK SENDING UNIT Replacement, With Fuel Pick-Up Tube, Includes Gaskets & Filter Sock Note: In 1947 To 1953 The Pick-Up Tube Was A Separate Item, See 01517500. On 1954 To 1959 This Is A Stock Unit But Can Also Replace 1947 To 1953.	\$39.00	N
01517500	1949	FUEL TANK SENDING UNIT Original Style, No Fuel Pick-Up Tube Note: Includes Gaskets, No Filter Sock Included As It Is Separate.	\$39.00	N
06428049	1949	FUEL TANK SENDING UNIT Replacement, With Fuel Pick-Up Tube, Includes Gaskets & Filter Sock Note: In 1947 To 1953 The Pick-Up Tube Was A Separate Item, See 01517500. On 1954 To 1959 This Is A Stock Unit But Can Also Replace 1947 To 1953.	\$39.00	N
01517500	1950	FUEL TANK SENDING UNIT Original Style, No Fuel Pick-Up Tube Note: Includes Gaskets, No Filter Sock Included As It Is Separate.	\$39.00	N

Part Number	Year	Description	Price	*Rev.
06428049	1950	FUEL TANK SENDING UNIT Replacement, With Fuel Pick-Up Tube, Includes Gaskets & Filter Sock Note: In 1947 To 1953 The Pick-Up Tube Was A Separate Item, See 01517500. On 1954 To 1959 This Is A Stock Unit But Can Also Replace 1947 To 1953.	\$39.00	N
01517500	1951	FUEL TANK SENDING UNIT Original Style, No Fuel Pick-Up Tube Note: Includes Gaskets, No Filter Sock Included As It Is Separate.	\$39.00	N
06428049	1951	FUEL TANK SENDING UNIT Replacement, With Fuel Pick-Up Tube, Includes Gaskets & Filter Sock Note: In 1947 To 1953 The Pick-Up Tube Was A Separate Item, See 01517500. On 1954 To 1959 This Is A Stock Unit But Can Also Replace 1947 To 1953.	\$39.00	N
01517500	1952	FUEL TANK SENDING UNIT Original Style, No Fuel Pick-Up Tube Note: Includes Gaskets, No Filter Sock Included As It Is Separate.	\$39.00	N
06428049	1952	FUEL TANK SENDING UNIT Replacement, With Fuel Pick-Up Tube, Includes Gaskets & Filter Sock Note: In 1947 To 1953 The Pick-Up Tube Was A Separate Item, See 01517500. On 1954 To 1959 This Is A Stock Unit But Can Also Replace 1947 To 1953.	\$39.00	N
01517500	1953	FUEL TANK SENDING UNIT Original Style, No Fuel Pick-Up Tube Note: Includes Gaskets, No Filter Sock Included As It Is Separate.	\$39.00	N
06428049	1953	FUEL TANK SENDING UNIT Replacement, With Fuel Pick-Up Tube, Includes Gaskets & Filter Sock Note: In 1947 To 1953 The Pick-Up Tube Was A Separate Item, See 01517500. On 1954 To 1959 This Is A Stock Unit But Can Also Replace 1947 To 1953.	\$39.00	N
06428049	1954	FUEL TANK SENDING UNIT Includes Gaskets & Filter Sock	\$39.00	N
06428049	1955	FUEL TANK SENDING UNIT Includes Gaskets & Filter Sock	\$39.00	N
06428049	1956	FUEL TANK SENDING UNIT Includes Gaskets & Filter Sock	\$39.00	N
06428049	1957	FUEL TANK SENDING UNIT Includes Gaskets & Filter Sock	\$39.00	N
06428049	1958	FUEL TANK SENDING UNIT Includes Gaskets & Filter Sock	\$39.00	N
06428049	1959	FUEL TANK SENDING UNIT Includes Gaskets & Filter Sock	\$39.00	N
06428058	1960	FUEL TANK SENDING UNIT Includes Gaskets & Filter Sock	\$39.00	N
06428058	1961	FUEL TANK SENDING UNIT Includes Gaskets & Filter Sock	\$39.00	N
06428058	1962	FUEL TANK SENDING UNIT Includes Gaskets & Filter Sock	\$39.00	N
06428058	1963	FUEL TANK SENDING UNIT Includes Gaskets & Filter Sock	\$39.00	N
06428058	1964	FUEL TANK SENDING UNIT Includes Gaskets & Filter Sock	\$39.00	N
06428058	1965	FUEL TANK SENDING UNIT Includes Gaskets & Filter Sock	\$39.00	N
06428058	1966	FUEL TANK SENDING UNIT Includes Gaskets & Filter Sock	\$39.00	N
06428362	1967	FUEL TANK SENDING UNIT 6 Cylinder, Includes Gaskets And Filter Sock	\$39.00	N
06428271	1967	FUEL TANK SENDING UNIT Suburban, Includes Gaskets And Filter Sock	\$39.00	N
06428361	1967	FUEL TANK SENDING UNIT V/8, Includes Gaskets And Filter Sock	\$39.00	N
06428362	1968	FUEL TANK SENDING UNIT 6 Cylinder, Includes Gaskets And Filter Sock	\$39.00	N
06428271	1968	FUEL TANK SENDING UNIT Suburban, Includes Gaskets And Filter Sock	\$39.00	N
06428361	1968	FUEL TANK SENDING UNIT V/8, Includes Gaskets And Filter Sock	\$39.00	N
06428362	1969	FUEL TANK SENDING UNIT 6 Cylinder, Includes Gaskets And Filter Sock	\$39.00	N
06428271	1969	FUEL TANK SENDING UNIT Blazer, Suburban, Includes Gaskets And Filter Sock	\$39.00	N
06428361	1969	FUEL TANK SENDING UNIT V/8, Includes Gaskets And Filter Sock	\$39.00	N
06428362	1970	FUEL TANK SENDING UNIT 6 Cylinder, Includes Gaskets And Filter Sock	\$39.00	N
06428271	1970	FUEL TANK SENDING UNIT Blazer, Suburban, Includes Gaskets And Filter Sock	\$39.00	N
06428361	1970	FUEL TANK SENDING UNIT V/8, Includes Gaskets And Filter Sock	\$39.00	N
06428362	1971	FUEL TANK SENDING UNIT 6 Cylinder, Includes Gaskets And Filter Sock	\$39.00	N
06428271	1971	FUEL TANK SENDING UNIT Blazer, Suburban, Includes Gaskets And Filter Sock	\$39.00	N
06428361	1971	FUEL TANK SENDING UNIT V/8, Includes Gaskets And Filter Sock	\$39.00	N

Part Number	Year	Description	Price	*Rev.
06429117	1972	FUEL TANK SENDING UNIT Auto Trans, Includes Gaskets And Filter Sock	\$39.00	N
06428271	1972	FUEL TANK SENDING UNIT Blazer, Suburban, Includes Gaskets And Filter Sock	\$39.00	N
06429116	1972	FUEL TANK SENDING UNIT Manual Trans, Includes Gaskets And Filter Sock	\$39.00	N
06429389	1973	FUEL TANK SENDING UNIT Suburban, 1/2, 3/4 Ton, 2 Wheel Drive, With 350 V/8 (Except Automatic Transmission, 32 Gallon Tank) 3 Outlets	\$62.00	N
06429389	1973	FUEL TANK SENDING UNIT Suburban, Blazer, 1/2, 3/4 Ton, 2 & 4 Wheel Drive, (Except 32 Gallon Tank) 3 Outlets	\$62.00	N
25000610	1973	FUEL TANK SENDING UNIT Truck, 1/2 Ton, (250, 305, 307, 350), 2 Wheel Drive, (With H.D Chassis) (Except L.P. Gas) 2 Outlets	\$62.00	N
25000612	1973	FUEL TANK SENDING UNIT Truck, 1/2 Ton, 2 Wheel Drive, (250, 307, 350), (With Auxiliary Tank) 2 Outlets	\$62.00	N
25000610	1973	FUEL TANK SENDING UNIT Truck, 1/2 Ton, 4 Wheel Drive 2 Outlets	\$62.00	N
25000612	1973	FUEL TANK SENDING UNIT Truck, 1/2, 3/4 Ton, 4 Wheel Drive, (E.E.S. With Auxiliary Tank) 2 Outlets	\$62.00	N
25000611	1973	FUEL TANK SENDING UNIT Truck, 1/2, 3/4, 1-Ton, (350), 2 Wheel Drive, (With Auto Trans, E.E.S.) 3 Outlets	\$62.00	N
25000613	1973	FUEL TANK SENDING UNIT Truck, 1/2, 3/4, 1-Ton, (454), 2 Wheel Drive, (With E.E.S. Auxiliary Tank) 3 Outlets	\$62.00	N
25000611	1973	FUEL TANK SENDING UNIT Truck, 1/2, 3/4, 1-Ton, (454), 2 Wheel Drive, (With E.E.S.) 3 Outlets	\$62.00	N
06429439	1973	FUEL TANK SENDING UNIT Truck, 3/4 Ton, 4 Wheel Drive, (Except E.E.S.) 1 Outlet	\$62.00	N
25000610	1973	FUEL TANK SENDING UNIT Truck, 3/4 Ton, 4 Wheel Drive, (With E.E.S.) 2 Outlets	\$62.00	N
25000610	1973	FUEL TANK SENDING UNIT Truck, 3/4, 1-Ton, (250, 292, 307, 350), 2 Wheel Drive, (With E. E.S.) 2 Outlets	\$62.00	N
25000612	1973	FUEL TANK SENDING UNIT Truck, 3/4, 1-Ton, 2 Wheel Drive, (292, 307, 350), (E.E.S. With Auxiliary Tank) 2 Outlets	\$62.00	N
06429439	1973	FUEL TANK SENDING UNIT Truck, 3/4, 1-Ton, 2 Wheel Drive, (Except E.E.S., 454) 1 Outlet	\$62.00	N
06429389	1974	FUEL TANK SENDING UNIT Blazer, 1/2 Ton, 2 & 4 Wheel Drive, With 250 6 Cylinder (Except 31 Gallon Tank) 3 Outlets	\$62.00	N
06429389	1974	FUEL TANK SENDING UNIT Suburban, 1/2 Ton, 2 Wheel Drive, With 250 6 Cylinder (Except 31, 40 Gallon Tank) 3 Outlets	\$62.00	N
06429389	1974	FUEL TANK SENDING UNIT Suburban, Blazer, 1/2, 3/4 Ton, 2 & 4 Wheel Drive, With 305, 350 V/8 (Except Automatic Transmission, 31 or 40 Gallon Tank) 3 Outlets	\$62.00	N
25000610	1974	FUEL TANK SENDING UNIT Truck, 1/2 Ton, (250, 305, 307, 350), 2 Wheel Drive, (With H.D Chassis) (Except L.P. Gas) 2 Outlets	\$62.00	N

Part Number	Year	Description	Price	*Rev.
25000612	1974	FUEL TANK SENDING UNIT Truck, 1/2 Ton, 2 Wheel Drive, (250, 307, 350), (With Auxiliary Tank) 2 Outlets	\$62.00	N
06429439	1974	FUEL TANK SENDING UNIT Truck, 1/2 Ton, 2 Wheel Drive, With L.P. Gas 1 Outlet	\$62.00	N
25000610	1974	FUEL TANK SENDING UNIT Truck, 1/2 Ton, 4 Wheel Drive 2 Outlets	\$62.00	N
25000612	1974	FUEL TANK SENDING UNIT Truck, 1/2, 3/4 Ton, 4 Wheel Drive, (E.E.S. With Auxiliary Tank) 2 Outlets	\$62.00	N
25000613	1974	FUEL TANK SENDING UNIT Truck, 1/2, 3/4, 1-Ton, (454), 2 Wheel Drive, (With E.E.S. Auxiliary Tank) 3 Outlets	\$62.00	N
25000611	1974	FUEL TANK SENDING UNIT Truck, 1/2, 3/4, 1-Ton, (454), 2 Wheel Drive, (With E.E.S.) 3 Outlets	\$62.00	N
06429439	1974	FUEL TANK SENDING UNIT Truck, 3/4 Ton, 4 Wheel Drive, (Except E.E.S.) 1 Outlet	\$62.00	N
25000610	1974	FUEL TANK SENDING UNIT Truck, 3/4 Ton, 4 Wheel Drive, (With E.E.S.) 2 Outlets	\$62.00	N
25000610	1974	FUEL TANK SENDING UNIT Truck, 3/4, 1-Ton, (250, 292, 307, 350), 2 Wheel Drive, (With E. E.S.) 2 Outlets	\$62.00	N
25000612	1974	FUEL TANK SENDING UNIT Truck, 3/4, 1-Ton, 2 Wheel Drive, (292, 307, 350), (E.E.S. With Auxiliary Tank) 2 Outlets	\$62.00	N
06429439	1974	FUEL TANK SENDING UNIT Truck, 3/4, 1-Ton, 2 Wheel Drive, (Except E.E.S., 454) 1 Outlet	\$62.00	N
06429389	1975	FUEL TANK SENDING UNIT Blazer, 1/2 Ton, 2 & 4 Wheel Drive, With 250 6 Cylinder (Except 31 Gallon Tank) 3 Outlets	\$62.00	N
06429389	1975	FUEL TANK SENDING UNIT Suburban, 1/2 Ton, 2 Wheel Drive, With 250 6 Cylinder (Except 31, 40 Gallon Tank) 3 Outlets	\$62.00	N
06429389	1975	FUEL TANK SENDING UNIT Suburban, Blazer, 1/2, 3/4 Ton, 2 & 4 Wheel Drive, With 305, 350 V/8 (Except Automatic Transmission, 31 or 40 Gallon Tank) 3 Outlets	\$62.00	N
25000610	1975	FUEL TANK SENDING UNIT Truck, 1/2 Ton, (250, 305, 307, 350), 2 Wheel Drive, (With H.D Chassis) (Except L.P. Gas) 2 Outlets	\$62.00	N
25000611	1975	FUEL TANK SENDING UNIT Truck, 1/2 Ton, (454), 2 Wheel Drive, (With H.D. Chassis) 3 Outlets	\$62.00	N
25000612	1975	FUEL TANK SENDING UNIT Truck, 1/2 Ton, 2 Wheel Drive, (350 With Auxiliary Tank) (Except 117.5 W.B.) 2 Outlets	\$62.00	N
06429439	1975	FUEL TANK SENDING UNIT Truck, 1/2 Ton, 2 Wheel Drive, With L.P. Gas 1 Outlet	\$62.00	N
25000610	1975	FUEL TANK SENDING UNIT Truck, 1/2 Ton, 4 Wheel Drive 2 Outlets	\$62.00	N
25000613	1975	FUEL TANK SENDING UNIT Truck, 1/2, 3/4 Ton, (Fleetside, Wideside) (350, 400), 4 Wheel Drive, (With Auto Trans) 3 Outlets	\$62.00	N

Part Number	Year	Description	Price	*Rev.
25000611	1975	FUEL TANK SENDING UNIT Truck, 1/2, 3/4, 1-Ton, (350, 400), 4 Wheel Drive, (With Auto Trans) 3 Outlets	\$62.00	N
25000613	1975	FUEL TANK SENDING UNIT Truck, 1/2, 3/4, 1-Ton, (Fleetside) (454), 2 Wheel Drive, (Except 117.5 W.B.) 3 Outlets	\$62.00	N
06429439	1975	FUEL TANK SENDING UNIT Truck, 3/4 Ton, 4 Wheel Drive, (Except E.E.S.) 1 Outlet	\$62.00	N
25000610	1975	FUEL TANK SENDING UNIT Truck, 3/4 Ton, 4 Wheel Drive, (With E.E.S.) 2 Outlets	\$62.00	N
25000610	1975	FUEL TANK SENDING UNIT Truck, 3/4, 1-Ton, (250, 292, 307, 350), 2 Wheel Drive, (With E.E.S.) 2 Outlets	\$62.00	N
25000610	1975	FUEL TANK SENDING UNIT Truck, 3/4, 1-Ton, (292, 350), 2 Wheel Drive, (Except 25 Gallon Tank) 2 Outlets	\$62.00	N
25000611	1975	FUEL TANK SENDING UNIT Truck, 3/4, 1-Ton, (454), 2 Wheel Drive, (Except 25 Gallon Tank) 3 Outlets	\$62.00	N
06429439	1975	FUEL TANK SENDING UNIT Truck, 3/4, 1-Ton, 2 Wheel Drive, (Except E.E.S., 454) 1 Outlet	\$62.00	N
06429389	1975	FUEL TANK SENDING UNIT Truck, 3/4, 1-Ton, 2 Wheel Drive, With 292 6 Cylinder or 350 V/8, With 25 Gallon Tank 3 Outlets	\$62.00	N
06429389	1976	FUEL TANK SENDING UNIT Blazer, 1/2 Ton, 2 & 4 Wheel Drive, With 250 6 Cylinder (Except 31 Gallon Tank) 3 Outlets	\$62.00	N
06429389	1976	FUEL TANK SENDING UNIT Suburban, 1/2 Ton, 2 Wheel Drive, With 250 6 Cylinder (Except 31, 40 Gallon Tank) 3 Outlets	\$62.00	N
06429389	1976	FUEL TANK SENDING UNIT Suburban, Blazer, 1/2, 3/4 Ton, 2 & 4 Wheel Drive, With 305, 350 V/8 (Except Automatic Transmission, 31 or 40 Gallon Tank) 3 Outlets	\$62.00	N
25000610	1976	FUEL TANK SENDING UNIT Truck, 1/2 Ton, (250, 305, 307, 350), 2 Wheel Drive, (With H.D Chassis) (Except L.P. Gas) 2 Outlets	\$62.00	N
25000611	1976	FUEL TANK SENDING UNIT Truck, 1/2 Ton, (454), 2 Wheel Drive, (With H.D. Chassis) 3 Outlets	\$62.00	N
25000613	1976	FUEL TANK SENDING UNIT Truck, 1/2, 3/4 Ton, (Fleetside, Wideside) (350, 400), 4 Wheel Drive, (With Auto Trans) 3 Outlets	\$62.00	N
25000612	1976	FUEL TANK SENDING UNIT Truck, 1/2, 3/4 Ton, 4 Wheel Drive, (350) (With Auxiliary Tank) (Except Auto Trans) 2 Outlets	\$62.00	N
25000612	1976	FUEL TANK SENDING UNIT Truck, 1/2, 3/4, 1 Ton, 2 Wheel Drive, (292, 350) (With Auxiliary Tank) 2 Outlets	\$62.00	N
25000610	1976	FUEL TANK SENDING UNIT Truck, 1/2, 3/4, 1-Ton, (250, 292), 4 Wheel Drive 2 Outlets	\$62.00	N
25000611	1976	FUEL TANK SENDING UNIT Truck, 1/2, 3/4, 1-Ton, (350, 400), 4 Wheel Drive, (With Auto Trans) 3 Outlets	\$62.00	N
25000610	1976	FUEL TANK SENDING UNIT Truck, 1/2, 3/4, 1-Ton, (350), 4 Wheel Drive, (Except Auto Trans) 2 Outlets	\$62.00	N

Part Number	Year	Description	Price	*Rev.
25000613	1976	FUEL TANK SENDING UNIT Truck, 1/2, 3/4, 1-Ton, (454), 2 Wheel Drive, (With Auxiliary Tank) 3 Outlets	\$62.00	N
25000612	1976	FUEL TANK SENDING UNIT Truck, 3/4 Ton, 4 Wheel Drive, (292) (With Auxiliary Tank) 2 Outlets	\$62.00	N
25000610	1976	FUEL TANK SENDING UNIT Truck, 3/4, 1-Ton, (292, 350), 2 Wheel Drive, (Except 25 Gallon Tank) 2 Outlets	\$62.00	N
25000611	1976	FUEL TANK SENDING UNIT Truck, 3/4, 1-Ton, (454), 2 Wheel Drive, (Except 25 Gallon Tank) 3 Outlets	\$62.00	N
06429389	1976	FUEL TANK SENDING UNIT Truck, 3/4, 1-Ton, 2 Wheel Drive, With 292 6 Cylinder or 350 V/8, With 25 Gallon Tank 3 Outlets	\$62.00	N
06429389	1977	FUEL TANK SENDING UNIT Blazer, 1/2 Ton, 2 & 4 Wheel Drive, With 250 6 Cylinder (Except 31 Gallon Tank) 3 Outlets	\$62.00	N
06429389	1977	FUEL TANK SENDING UNIT Suburban, 1/2 Ton, 2 Wheel Drive, With 250 6 Cylinder (Except 31, 40 Gallon Tank) 3 Outlets	\$62.00	N
06429389	1977	FUEL TANK SENDING UNIT Suburban, Blazer, 1/2, 3/4 Ton, 2 & 4 Wheel Drive, With 305, 350 V/8 (Except Automatic Transmission, 31 or 40 Gallon Tank) 3 Outlets	\$62.00	N
25000612	1977	FUEL TANK SENDING UNIT Truck, 1 Ton, 4 Wheel Drive, (With Auxiliary Tank) 2 Outlets	\$62.00	N
25000610	1977	FUEL TANK SENDING UNIT Truck, 1/2 Ton, (250, 305, 307, 350), 2 Wheel Drive, (With H.D Chassis) (Except L.P. Gas) 2 Outlets	\$62.00	N
25000610	1977	FUEL TANK SENDING UNIT Truck, 1/2 Ton, (250, 305, 350), 2 Wheel Drive, (Except H.D Chassis) 2 Outlets	\$62.00	N
25000611	1977	FUEL TANK SENDING UNIT Truck, 1/2 Ton, (454), 2 Wheel Drive, (Except H.D. Chassis) 3 Outlets	\$62.00	N
25000613	1977	FUEL TANK SENDING UNIT Truck, 1/2 Ton, (454), 2 Wheel Drive, (With Auxiliary Tank) (Except H.D.Chassis) 3 Outlets	\$62.00	N
25000611	1977	FUEL TANK SENDING UNIT Truck, 1/2 Ton, (454), 2 Wheel Drive, (With H.D. Chassis) 3 Outlets	\$62.00	N
25000613	1977	FUEL TANK SENDING UNIT Truck, 1/2, 3/4 Ton, (Fleetside, Wideside) (350, 400), 4 Wheel Drive, (With Auto Trans) 3 Outlets	\$62.00	N
25000612	1977	FUEL TANK SENDING UNIT Truck, 1/2, 3/4 Ton, 4 Wheel Drive, (350) (With Auxiliary Tank) (Except Auto Trans) 2 Outlets	\$62.00	N
25000612	1977	FUEL TANK SENDING UNIT Truck, 1/2, 3/4, 1 Ton, 2 Wheel Drive, (292, 350) (With Auxiliary Tank) 2 Outlets	\$62.00	N
25000610	1977	FUEL TANK SENDING UNIT Truck, 1/2, 3/4, 1-Ton, (250, 292), 4 Wheel Drive 2 Outlets	\$62.00	N
25000611	1977	FUEL TANK SENDING UNIT Truck, 1/2, 3/4, 1-Ton, (350, 400), 4 Wheel Drive, (With Auto Trans) 3 Outlets	\$62.00	N
25000610	1977	FUEL TANK SENDING UNIT Truck, 1/2, 3/4, 1-Ton, (350), 4 Wheel Drive, (Except Auto Trans) 2 Outlets	\$62.00	N

Part Number	Year	Description	Price	*Rev.
25000613	1977	FUEL TANK SENDING UNIT Truck, 1/2, 3/4, 1-Ton, (454), 2 Wheel Drive, (With Auxiliary Tank) 3 Outlets	\$62.00	N
25000612	1977	FUEL TANK SENDING UNIT Truck, 3/4 Ton, 4 Wheel Drive, (292) (With Auxiliary Tank) 2 Outlets	\$62.00	N
25000610	1977	FUEL TANK SENDING UNIT Truck, 3/4, 1-Ton, (292, 350), 2 Wheel Drive, (Except 25 Gallon Tank) 2 Outlets	\$62.00	N
25000611	1977	FUEL TANK SENDING UNIT Truck, 3/4, 1-Ton, (454), 2 Wheel Drive, (Except 25 Gallon Tank) 3 Outlets	\$62.00	N
06429389	1977	FUEL TANK SENDING UNIT Truck, 3/4, 1-Ton, 2 Wheel Drive, With 292 6 Cylinder or 350 V/8, With 25 Gallon Tank 3 Outlets	\$62.00	N
25001483	1978	FUEL TANK SENDING UNIT Suburban, Blazer, 1/2, 3/4 Ton, 250, 305, 350, (With Manual Trans), 2 & 4 Wheel Drive, (Except 31, 41 Gallon California) 3 Outlets	\$68.00	N
25000612	1978	FUEL TANK SENDING UNIT Truck, 1/2 Ton (250, 350), 2 Wheel Drive, (With Auxiliary Tank, H.D. Suspension) (Except California) 2 Outlets	\$62.00	N
25000610	1978	FUEL TANK SENDING UNIT Truck, 1/2 Ton, (250, 350), 2 Wheel Drive, (With H.D Chassis) (Except California) 2 Outlets	\$62.00	N
25000610	1978	FUEL TANK SENDING UNIT Truck, 1/2, 3/4, 1-Ton, (250, 292), 4 Wheel Drive, (Except California) 2 Outlets	\$62.00	N
25000613	1978	FUEL TANK SENDING UNIT Truck, 1/2, 3/4, 1-Ton, (350), 4 Wheel Drive, (With Auto Trans, Auxiliary Tank) (Except California) 3 Outlets	\$62.00	N
25000610	1978	FUEL TANK SENDING UNIT Truck, 1/2, 3/4, 1-Ton, (350), 4 Wheel Drive, (With Manual Trans) (MC1, M20), (Except California) 2 Outlets	\$62.00	N
25000611	1978	FUEL TANK SENDING UNIT Truck, 1/2, 3/4, 1-Ton, (350), With Auto Trans (M38, M40), 4 Wheel Drive, (Except California) 3 Outlets	\$62.00	N
25000611	1978	FUEL TANK SENDING UNIT Truck, 1/2, 3/4, 1-Ton, (400), 4 Wheel Drive, (Except California) 3 Outlets	\$62.00	N
25000613	1978	FUEL TANK SENDING UNIT Truck, 1/2, 3/4, 1-Ton, (400), 4 Wheel Drive, (With Auxiliary Tank) (Except California) 3 Outlets	\$62.00	N
25000613	1978	FUEL TANK SENDING UNIT Truck, 1/2, 3/4, 1-Ton, (454), 2 Wheel Drive, (With Auxiliary Tank) (Except California) 3 Outlets	\$62.00	N
25000611	1978	FUEL TANK SENDING UNIT Truck, 1/2, 3/4, 1-Ton, (454), 2 Wheel Drive, (With H.D. Suspension) (Except California Rear Mounted Fuel Tank) 3 Outlets	\$62.00	N
25000612	1978	FUEL TANK SENDING UNIT Truck, 1/2, 3/4, 1-Ton, 4 Wheel Drive, With MT, (MC1, M20), (With Auxiliary Tank) (Except California) 2 Outlets	\$62.00	N
25000612	1978	FUEL TANK SENDING UNIT Truck, 3/4 Ton (Crew Cab) (292, 350), 2 Wheel Drive, (With Auxiliary Tank) 2 Outlets	\$62.00	N
25000612	1978	FUEL TANK SENDING UNIT Truck, 3/4, 1-Ton (250, 350), 2 Wheel Drive, (With Auxiliary Tank) (Except California) 2 Outlets	\$62.00	N

Chevy Truck



Phone (562) 926-9552

Fax (562) 926-9572

Part Number	Year	Description	Price	*Rev.
25000612	1978	FUEL TANK SENDING UNIT Truck, 3/4, 1-Ton (292), 4 Wheel Drive, (Auxiliary Tank) (Except California) 2 Outlets	\$62.00	N
25000610	1978	FUEL TANK SENDING UNIT Truck, 3/4, 1-Ton, (292, 350), 2 Wheel Drive, (Except California, Rear Mounted Tank) 2 Outlets	\$62.00	N
25001483	1978	FUEL TANK SENDING UNIT Truck, 3/4, 1-Ton, 250, 292, 350, 2 & 4 Wheel Drive, (With Rear Mounted Tank) (Except California) 3 Outlets	\$68.00	N
25001483	1979	FUEL TANK SENDING UNIT Suburban, Blazer, 1/2 Ton, 250, 2 & 4 Wheel Drive, (With 20 Gallon Tank) 3 Outlets	\$68.00	N
25001483	1979	FUEL TANK SENDING UNIT Suburban, Blazer, 1/2, 3/4 Ton, 305, 350, 2 & 4 Wheel Drive, (With Manual Trans, 20 Gallon Tank) 3 Outlets	\$68.00	N
25000610	1979	FUEL TANK SENDING UNIT Truck, 1-Ton, (292), 2 & 4 Wheel Drive, (Except California, Rear Mounted Tank) 2 Outlets	\$62.00	N
25000613	1979	FUEL TANK SENDING UNIT Truck, 1-Ton, (350), 2 & 4 Wheel Drive, (With Auto Trans, California) 3 Outlets	\$62.00	N
25000611	1979	FUEL TANK SENDING UNIT Truck, 1-Ton, (350), With Auto Trans, 2 & 4 Wheel Drive, (Except California, Rear Mounted Tank) 3 Outlets	\$62.00	N
25000610	1979	FUEL TANK SENDING UNIT Truck, 1-Ton, (350), With Manual Trans (M20), 2 & 4 Wheel Drive, (Except California, Rear Mounted Tank) 2 Outlets	\$62.00	N
25000611	1979	FUEL TANK SENDING UNIT Truck, 1-Ton, (400, 454), 2 & 4 Wheel Drive, (Except California, Rear Mounted Tank) 3 Outlets	\$62.00	N
25000613	1979	FUEL TANK SENDING UNIT Truck, 1-Ton, (400, 454), 2 & 4 Wheel Drive, (With California) 3 Outlets	\$62.00	N
25000613	1979	FUEL TANK SENDING UNIT Truck, 1/2, 3/4 Ton, (305, 350), 2 & 4 Wheel Drive, (With Auto Trans) 3 Outlets	\$62.00	N
25000613	1979	FUEL TANK SENDING UNIT Truck, 1/2, 3/4 Ton, (400), 4 Wheel Drive 3 Outlets	\$62.00	N
25000613	1979	FUEL TANK SENDING UNIT Truck, 1/2, 3/4 Ton, (454), 2 Wheel Drive, (With Auto Trans) 3 Outlets	\$62.00	N
25000611	1979	FUEL TANK SENDING UNIT Truck, 1/2, 3/4, 1-Ton, (350), With Auto Trans (M38, M40), 4 Wheel Drive, (Primary Tank), (Except California) 3 Outlets	\$62.00	N
25000611	1979	FUEL TANK SENDING UNIT Truck, 1/2, 3/4, 1-Ton, (400), 4 Wheel Drive, (Except California) 3 Outlets	\$62.00	N
25000612	1979	FUEL TANK SENDING UNIT Truck, 1/2, 3/4, 1-Ton, 4 Wheel Drive, With MT, (MC1, M20), (With Auxiliary Tank) (Except California) 2 Outlets	\$62.00	N
25000612	1979	FUEL TANK SENDING UNIT Truck, 3/4, 1-Ton (292), 4 Wheel Drive, (Auxiliary Tank) (Except California) 2 Outlets	\$62.00	N
25001483	1979	FUEL TANK SENDING UNIT Truck, 3/4, 1-Ton, 250, 292, 2 & 4 Wheel Drive, (With Rear Mounted Tank) 3 Outlets	\$68.00	N

Part Number	Year	Description	Price	*Rev.
25001483	1979	FUEL TANK SENDING UNIT Truck, 3/4, 1-Ton, 350, 2 & 4 Wheel Drive, (With Manual Trans, Rear Mounted Tank) 3 Outlets	\$68.00	N
25001483	1980	FUEL TANK SENDING UNIT Suburban, Blazer, 1/2 Ton, 250, 2 & 4 Wheel Drive 3 Outlets	\$68.00	N
25001483	1980	FUEL TANK SENDING UNIT Suburban, Blazer, 1/2, 3/4 Ton, 305, 350, 2 & 4 Wheel Drive, (With Manual Trans) 3 Outlets	\$68.00	N
25002009	1980	FUEL TANK SENDING UNIT Truck, 1/2, 3/4 Ton, (250, 292) With Auxiliary Tank 2 Outlets	\$77.00	N
25002010	1980	FUEL TANK SENDING UNIT Truck, 1/2, 3/4 Ton, 305, 350, 2 & 4 Wheel Drive, (With Auxiliary Tank) (Except Diesel) 3 Outlets	\$62.00	N
25002006	1980	FUEL TANK SENDING UNIT Truck, 1/2, 3/4, 1-Ton, (250, 292), 2 & 4 Wheel Drive, (Except Rear Mounted Tank) 2 Outlets	\$77.00	N
25002007	1980	FUEL TANK SENDING UNIT Truck, 1/2, 3/4, 1-Ton, 305, 350, 400, 454W, 2 & 4 Wheel Drive, (Except Rear Mounted Tank) 3 Outlets	\$77.00	N
25001483	1980	FUEL TANK SENDING UNIT Truck, 3/4, 1-Ton, 250, 292, 2 & 4 Wheel Drive, (With Rear Mounted Tank) 3 Outlets	\$68.00	N
25001483	1980	FUEL TANK SENDING UNIT Truck, 3/4, 1-Ton, 350, 2 & 4 Wheel Drive, (With Manual Trans, Rear Mounted Tank) 3 Outlets	\$68.00	N
25002010	1980	FUEL TANK SENDING UNIT Truck, 3/4, 1-Ton, 350, 400, 4 Wheel Drive, (With Auxiliary Tank) 3 Outlets	\$62.00	N
25002010	1980	FUEL TANK SENDING UNIT Truck, 3/4, 1-Ton, 350, 454, 2 Wheel Drive, (With Auxiliary Tank) 3 Outlets	\$62.00	N
25001483	1981	FUEL TANK SENDING UNIT Blazer, 1/2 Ton, 250, 2 & 4 Wheel Drive, (Except 117 Liter Tank) 3 Outlets	\$68.00	N
25002009	1981	FUEL TANK SENDING UNIT Truck, 1/2, 3/4 Ton, (292) With Auxiliary Tank 2 Outlets	\$77.00	N
25002010	1981	FUEL TANK SENDING UNIT Truck, 1/2, 3/4 Ton, 305, 350L, 2 & 4 Wheel Drive 3 Outlets	\$62.00	N
25002007	1981	FUEL TANK SENDING UNIT Truck, 1/2, 3/4 Ton, 350L-M, 4 Wheel Drive, (With Auxiliary Tank) 3 Outlets	\$77.00	N
25002006	1981	FUEL TANK SENDING UNIT Truck, 1/2, 3/4, 1-Ton, (250, 292), 2 & 4 Wheel Drive, (Except Rear Mounted Tank) 2 Outlets	\$77.00	N
25002007	1981	FUEL TANK SENDING UNIT Truck, 1/2, 3/4, 1-Ton, 350L-M, 454W, 2 Wheel Drive, (With Auxiliary Tank) 3 Outlets	\$77.00	N
25002010	1981	FUEL TANK SENDING UNIT Truck, 3/4 Ton, 350M, 4 Wheel Drive, (With California) 3 Outlets	\$62.00	N
25001483	1981	FUEL TANK SENDING UNIT Truck, 3/4, 1-Ton, 250, 292, 2 & 4 Wheel Drive, (With Rear Mounted Tank) 3 Outlets	\$68.00	N
25002010	1981	FUEL TANK SENDING UNIT Truck, 3/4, 1-Ton, 350M, 454W, 2 Wheel Drive, (With California) 3 Outlets	\$62.00	N

Part Number	Year	Description	Price	*Rev.
25001483	1982	FUEL TANK SENDING UNIT Blazer, 1/2 Ton, 250, 2 & 4 Wheel Drive, (Except 117 Liter Tank) 3 Outlets	\$68.00	N
25002009	1982	FUEL TANK SENDING UNIT Truck, 1/2, 3/4, 1-Ton, (250, 292), 2 & 4 Wheel Drive 2 Outlets	\$77.00	N
25002006	1982	FUEL TANK SENDING UNIT Truck, 1/2, 3/4, 1-Ton, (292), 2 & 4 Wheel Drive, With Auxiliary Tank 2 Outlets	\$77.00	N
25002010	1982	FUEL TANK SENDING UNIT Truck, 1/2, 3/4, 1-Ton, 305, 350, 454, 2 & 4 Wheel Drive 3 Outlets	\$62.00	N
25002007	1982	FUEL TANK SENDING UNIT Truck, 1/2, 3/4, 1-Ton, 305, 350L, 350M, 454, 2 & 4 Wheel Drive, (Auxiliary Tank) 3 Outlets	\$77.00	N
25002009	1983	FUEL TANK SENDING UNIT Truck, 1/2, 3/4, 1-Ton, (250, 292), 2 & 4 Wheel Drive 2 Outlets	\$77.00	N
25002006	1983	FUEL TANK SENDING UNIT Truck, 1/2, 3/4, 1-Ton, (292), 2 & 4 Wheel Drive, With Auxiliary Tank 2 Outlets	\$77.00	N
25002010	1983	FUEL TANK SENDING UNIT Truck, 1/2, 3/4, 1-Ton, 305, 350, 454, 2 & 4 Wheel Drive 3 Outlets	\$62.00	N
25002007	1983	FUEL TANK SENDING UNIT Truck, 1/2, 3/4, 1-Ton, 305, 350L, 350M, 454, 2 & 4 Wheel Drive, (Auxiliary Tank) 3 Outlets	\$77.00	N
25002009	1984	FUEL TANK SENDING UNIT Truck, 1/2, 3/4, 1-Ton, (250, 292), 2 & 4 Wheel Drive 2 Outlets	\$77.00	N
25002006	1984	FUEL TANK SENDING UNIT Truck, 1/2, 3/4, 1-Ton, (292), 2 & 4 Wheel Drive, With Auxiliary Tank 2 Outlets	\$77.00	N
25002010	1984	FUEL TANK SENDING UNIT Truck, 1/2, 3/4, 1-Ton, 305, 350, 454, 2 & 4 Wheel Drive 3 Outlets	\$62.00	N
25002007	1984	FUEL TANK SENDING UNIT Truck, 1/2, 3/4, 1-Ton, 305, 350L, 350M, 454, 2 & 4 Wheel Drive, (Auxiliary Tank) 3 Outlets	\$77.00	N
25002007	1985	FUEL TANK SENDING UNIT Truck, 1/2, 3/4 Ton, 4.3N, 305F-H, 350L, 2 & 4 Wheel Drive, (Auxiliary Tank) 3 Outlets	\$77.00	N
25002010	1985	FUEL TANK SENDING UNIT Truck, 1/2, 3/4, 1-Ton, 6 Cylinder, V/8 (Primary Tank) 3 Outlets	\$62.00	N
25002007	1986	FUEL TANK SENDING UNIT Truck, 1/2, 3/4 Ton, 4.3N, 305F-H, 350L, 2 & 4 Wheel Drive, (Auxiliary Tank) 3 Outlets	\$77.00	N
25002010	1986	FUEL TANK SENDING UNIT Truck, 1/2, 3/4, 1-Ton, 6 Cylinder, V/8 (Primary Tank) 3 Outlets	\$62.00	N
25002007	1987	FUEL TANK SENDING UNIT Truck, 1/2, 3/4 Ton, 292T, 350M, 454W, 2 & 4 Wheel Drive, (With Auxiliary Tank) 3 Outlets	\$77.00	N
25002010	1987	FUEL TANK SENDING UNIT Truck, 1/2, 3/4, 1-Ton, 292T, 350M, 454W Engines (Primary Tank) 3 Outlets	\$62.00	N
25002007	1988	FUEL TANK SENDING UNIT Truck, 1/2, 3/4 Ton, 292T, 350M, 454W, 2 & 4 Wheel Drive, (With Auxiliary Tank) 3 Outlets	\$77.00	N

Part Number	Year	Description	Price	*Rev.
25002010	1988	FUEL TANK SENDING UNIT Truck, 3/4, 1-Ton, 292T, 350M, 454W Engines (Primary Tank) 3 Outlets	\$62.00	N
25002007	1989	FUEL TANK SENDING UNIT Truck, 1/2, 3/4 Ton, 292T, 350M, 454W, 2 & 4 Wheel Drive, (With Auxiliary Tank) 3 Outlets	\$77.00	N
25002010	1989	FUEL TANK SENDING UNIT Truck, 3/4, 1-Ton, 292T, 350M, 454W Engines (Primary Tank) 3 Outlets	\$62.00	N
GAUGE CLUSTER ASSEMBLY				
44245	1947	GAUGE CLUSTER ASSEMBLY 6 Cylinder, 12 Volt, 0-30 Lbs. Oil Gauge, 100-212 Temperature Gauge, Red Needle	\$445.00	N
44246	1947	GAUGE CLUSTER ASSEMBLY 6 Cylinder, 12 Volt, 0-30 Lbs. Oil Gauge, 100-220 Temperature Gauge, Red Needle	\$445.00	N
44243	1947	GAUGE CLUSTER ASSEMBLY 6 Cylinder, 6 Volt, 0-30 Lbs. Oil Gauge, 100-212 Temperature Gauge, Red Needle	\$445.00	N
44241	1947	GAUGE CLUSTER ASSEMBLY 6 Cylinder, 6 Volt, 0-30 Lbs. Oil Gauge, 100-220 Temperature Gauge, Red Needle	\$445.00	N
44244	1947	GAUGE CLUSTER ASSEMBLY V/8, 12 Volt, 0-60 Lbs. Oil Gauge, 100-212 Temperature Gauge, Red Needle	\$445.00	N
44242	1947	GAUGE CLUSTER ASSEMBLY V/8, 12 Volt, 0-60 Lbs. Oil Gauge, 100-220 Temperature Gauge, Red Needle	\$445.00	N
44245	1948	GAUGE CLUSTER ASSEMBLY 6 Cylinder, 12 Volt, 0-30 Lbs. Oil Gauge, 100-212 Temperature Gauge, Red Needle	\$445.00	N
44246	1948	GAUGE CLUSTER ASSEMBLY 6 Cylinder, 12 Volt, 0-30 Lbs. Oil Gauge, 100-220 Temperature Gauge, Red Needle	\$445.00	N
44243	1948	GAUGE CLUSTER ASSEMBLY 6 Cylinder, 6 Volt, 0-30 Lbs. Oil Gauge, 100-212 Temperature Gauge, Red Needle	\$445.00	N
44241	1948	GAUGE CLUSTER ASSEMBLY 6 Cylinder, 6 Volt, 0-30 Lbs. Oil Gauge, 100-220 Temperature Gauge, Red Needle	\$445.00	N
44244	1948	GAUGE CLUSTER ASSEMBLY V/8, 12 Volt, 0-60 Lbs. Oil Gauge, 100-212 Temperature Gauge, Red Needle	\$445.00	N
44242	1948	GAUGE CLUSTER ASSEMBLY V/8, 12 Volt, 0-60 Lbs. Oil Gauge, 100-220 Temperature Gauge, Red Needle	\$445.00	N
44251	1949	GAUGE CLUSTER ASSEMBLY 6 Cylinder, 12 Volt, 0-30 Lbs. Oil Gauge, 100-212 Temperature Gauge, White Needle	\$445.00	N
44252	1949	GAUGE CLUSTER ASSEMBLY 6 Cylinder, 12 Volt, 0-30 Lbs. Oil Gauge, 100-220 Temperature Gauge, White Needle	\$445.00	N
44249	1949	GAUGE CLUSTER ASSEMBLY 6 Cylinder, 6 Volt, 0-30 Lbs. Oil Gauge, 100-212 Temperature Gauge, White Needle	\$445.00	N
44247	1949	GAUGE CLUSTER ASSEMBLY 6 Cylinder, 6 Volt, 0-30 Lbs. Oil Gauge, 100-220 Temperature Gauge, White Needle	\$445.00	N
44250	1949	GAUGE CLUSTER ASSEMBLY V/8, 12 Volt, 0-60 Lbs. Oil Gauge, 100-212 Temperature Gauge, White Needle	\$445.00	N
44248	1949	GAUGE CLUSTER ASSEMBLY V/8, 12 Volt, 0-60 Lbs. Oil Gauge, 100-220 Temperature Gauge, White Needle	\$445.00	N
44251	1950	GAUGE CLUSTER ASSEMBLY 6 Cylinder, 12 Volt, 0-30 Lbs. Oil Gauge, 100-212 Temperature Gauge, White Needle	\$445.00	N
44252	1950	GAUGE CLUSTER ASSEMBLY 6 Cylinder, 12 Volt, 0-30 Lbs. Oil Gauge, 100-220 Temperature Gauge, White Needle	\$445.00	N
44249	1950	GAUGE CLUSTER ASSEMBLY 6 Cylinder, 6 Volt, 0-30 Lbs. Oil Gauge, 100-212 Temperature Gauge, White Needle	\$445.00	N
44247	1950	GAUGE CLUSTER ASSEMBLY 6 Cylinder, 6 Volt, 0-30 Lbs. Oil Gauge, 100-220 Temperature Gauge, White Needle	\$445.00	N
44250	1950	GAUGE CLUSTER ASSEMBLY V/8, 12 Volt, 0-60 Lbs. Oil Gauge, 100-212 Temperature Gauge, White Needle	\$445.00	N

Part Number	Year	Description	Price	*Rev.
44248	1950	GAUGE CLUSTER ASSEMBLY V/8, 12 Volt, 0-60 Lbs. Oil Gauge, 100-220 Temperature Gauge, White Needle	\$445.00	N
44251	1951	GAUGE CLUSTER ASSEMBLY 6 Cylinder, 12 Volt, 0-30 Lbs. Oil Gauge, 100-212 Temperature Gauge, White Needle	\$445.00	N
44252	1951	GAUGE CLUSTER ASSEMBLY 6 Cylinder, 12 Volt, 0-30 Lbs. Oil Gauge, 100-220 Temperature Gauge, White Needle	\$445.00	N
44249	1951	GAUGE CLUSTER ASSEMBLY 6 Cylinder, 6 Volt, 0-30 Lbs. Oil Gauge, 100-212 Temperature Gauge, White Needle	\$445.00	N
44247	1951	GAUGE CLUSTER ASSEMBLY 6 Cylinder, 6 Volt, 0-30 Lbs. Oil Gauge, 100-220 Temperature Gauge, White Needle	\$445.00	N
44250	1951	GAUGE CLUSTER ASSEMBLY V/8, 12 Volt, 0-60 Lbs. Oil Gauge, 100-212 Temperature Gauge, White Needle	\$445.00	N
44248	1951	GAUGE CLUSTER ASSEMBLY V/8, 12 Volt, 0-60 Lbs. Oil Gauge, 100-220 Temperature Gauge, White Needle	\$445.00	N
44251	1952	GAUGE CLUSTER ASSEMBLY 6 Cylinder, 12 Volt, 0-30 Lbs. Oil Gauge, 100-212 Temperature Gauge, White Needle	\$445.00	N
44252	1952	GAUGE CLUSTER ASSEMBLY 6 Cylinder, 12 Volt, 0-30 Lbs. Oil Gauge, 100-220 Temperature Gauge, White Needle	\$445.00	N
44249	1952	GAUGE CLUSTER ASSEMBLY 6 Cylinder, 6 Volt, 0-30 Lbs. Oil Gauge, 100-212 Temperature Gauge, White Needle	\$445.00	N
44247	1952	GAUGE CLUSTER ASSEMBLY 6 Cylinder, 6 Volt, 0-30 Lbs. Oil Gauge, 100-220 Temperature Gauge, White Needle	\$445.00	N
44250	1952	GAUGE CLUSTER ASSEMBLY V/8, 12 Volt, 0-60 Lbs. Oil Gauge, 100-212 Temperature Gauge, White Needle	\$445.00	N
44248	1952	GAUGE CLUSTER ASSEMBLY V/8, 12 Volt, 0-60 Lbs. Oil Gauge, 100-220 Temperature Gauge, White Needle	\$445.00	N
44251	1953	GAUGE CLUSTER ASSEMBLY 6 Cylinder, 12 Volt, 0-30 Lbs. Oil Gauge, 100-212 Temperature Gauge, White Needle	\$445.00	N
44252	1953	GAUGE CLUSTER ASSEMBLY 6 Cylinder, 12 Volt, 0-30 Lbs. Oil Gauge, 100-220 Temperature Gauge, White Needle	\$445.00	N
44249	1953	GAUGE CLUSTER ASSEMBLY 6 Cylinder, 6 Volt, 0-30 Lbs. Oil Gauge, 100-212 Temperature Gauge, White Needle	\$445.00	N
44247	1953	GAUGE CLUSTER ASSEMBLY 6 Cylinder, 6 Volt, 0-30 Lbs. Oil Gauge, 100-220 Temperature Gauge, White Needle	\$445.00	N
44250	1953	GAUGE CLUSTER ASSEMBLY V/8, 12 Volt, 0-60 Lbs. Oil Gauge, 100-212 Temperature Gauge, White Needle	\$445.00	N
44248	1953	GAUGE CLUSTER ASSEMBLY V/8, 12 Volt, 0-60 Lbs. Oil Gauge, 100-220 Temperature Gauge, White Needle	\$445.00	N
44258	1954	GAUGE CLUSTER ASSEMBLY 6 Cylinder, 12 Volt, Complete Assembly	\$445.00	N
44257	1954	GAUGE CLUSTER ASSEMBLY 6 Cylinder, 6 Volt, Complete Assembly	\$445.00	N
44259	1954	GAUGE CLUSTER ASSEMBLY V/8, 12 Volt, Complete Assembly	\$445.00	N
44258	1955	GAUGE CLUSTER ASSEMBLY 1st Series, 6 Cylinder, 12 Volt, Complete Assembly	\$445.00	N
44257	1955	GAUGE CLUSTER ASSEMBLY 1st Series, 6 Cylinder, 6 Volt, Complete Assembly	\$445.00	N
44259	1955	GAUGE CLUSTER ASSEMBLY 1st Series, V/8, 12 Volt, Complete Assembly	\$445.00	N
44260	1955	GAUGE CLUSTER ASSEMBLY Complete Assembly With Speedometer & Gauges Note: This Kit Uses The 1956-59 Electric Type Temperature Gauge.	\$660.00	N
44261	1955	GAUGE CLUSTER ASSEMBLY Complete Assembly With Speedometer & Gauges Note: This Kit Uses The 1955 2nd Series Mechanical Type Temperature Gauge.	\$660.00	N
44260	1956	GAUGE CLUSTER ASSEMBLY Complete Assembly With Speedometer & Gauges Note: This Kit Uses The 1956-59 Electric Type Temperature Gauge.	\$660.00	N
44261	1956	GAUGE CLUSTER ASSEMBLY Complete Assembly With Speedometer & Gauges Note: This Kit Uses The 1955 2nd Series Mechanical Type Temperature Gauge.	\$660.00	N

Part Number	Year	Description	Price	*Rev.
44260	1957	GAUGE CLUSTER ASSEMBLY Complete Assembly With Speedometer & Gauges Note: This Kit Uses The 1956-59 Electric Type Temperature Gauge.	\$660.00	N
44261	1957	GAUGE CLUSTER ASSEMBLY Complete Assembly With Speedometer & Gauges Note: This Kit Uses The 1955 2nd Series Mechanical Type Temperature Gauge.	\$660.00	N
44260	1958	GAUGE CLUSTER ASSEMBLY Complete Assembly With Speedometer & Gauges Note: This Kit Uses The 1956-59 Electric Type Temperature Gauge.	\$660.00	N
44261	1958	GAUGE CLUSTER ASSEMBLY Complete Assembly With Speedometer & Gauges Note: This Kit Uses The 1955 2nd Series Mechanical Type Temperature Gauge.	\$660.00	N
44260	1959	GAUGE CLUSTER ASSEMBLY Complete Assembly With Speedometer & Gauges Note: This Kit Uses The 1956-59 Electric Type Temperature Gauge.	\$660.00	N
44261	1959	GAUGE CLUSTER ASSEMBLY Complete Assembly With Speedometer & Gauges Note: This Kit Uses The 1955 2nd Series Mechanical Type Temperature Gauge.	\$660.00	N
44262	1967	GAUGE CLUSTER ASSEMBLY V/8, With Gauges & 5000 RPM Tachometer	\$707.00	N
44263	1967	GAUGE CLUSTER ASSEMBLY V/8, With Gauges & 8000 RPM Tachometer	\$707.00	N
06457882	1967	GAUGE CLUSTER ASSEMBLY With Gauges, Without Tachometer	\$584.00	N
44262	1968	GAUGE CLUSTER ASSEMBLY V/8, With Gauges & 5000 RPM Tachometer	\$707.00	N
44263	1968	GAUGE CLUSTER ASSEMBLY V/8, With Gauges & 8000 RPM Tachometer	\$707.00	N
06457882	1968	GAUGE CLUSTER ASSEMBLY With Gauges, Without Tachometer	\$584.00	N
06457909	1969	GAUGE CLUSTER ASSEMBLY V/8, With Gauges & 5000 RPM Tachometer Note: Complete Gauge Cluster Assembly, Assembled.	\$707.00	N
44264	1969	GAUGE CLUSTER ASSEMBLY V/8, With Gauges & 8000 RPM Tachometer Note: Complete Gauge Cluster Assembly, Assembled.	\$707.00	N
06458263	1969	GAUGE CLUSTER ASSEMBLY With Gauges, Without Tachometer Note: Complete Gauge Cluster Assembly, Assembled.	\$584.00	N
06457909	1970	GAUGE CLUSTER ASSEMBLY V/8, With Gauges & 5000 RPM Tachometer Note: Complete Gauge Cluster Assembly, Assembled.	\$707.00	N
44264	1970	GAUGE CLUSTER ASSEMBLY V/8, With Gauges & 8000 RPM Tachometer Note: Complete Gauge Cluster Assembly, Assembled.	\$707.00	N
06458263	1970	GAUGE CLUSTER ASSEMBLY With Gauges, Without Tachometer Note: Complete Gauge Cluster Assembly, Assembled.	\$584.00	N
06457909	1971	GAUGE CLUSTER ASSEMBLY V/8, With Gauges & 5000 RPM Tachometer Note: Complete Gauge Cluster Assembly, Assembled.	\$707.00	N
44264	1971	GAUGE CLUSTER ASSEMBLY V/8, With Gauges & 8000 RPM Tachometer Note: Complete Gauge Cluster Assembly, Assembled.	\$707.00	N
06458263	1971	GAUGE CLUSTER ASSEMBLY With Gauges, Without Tachometer Note: Complete Gauge Cluster Assembly, Assembled.	\$584.00	N
06457909	1972	GAUGE CLUSTER ASSEMBLY V/8, With Gauges & 5000 RPM Tachometer Note: Complete Gauge Cluster Assembly, Assembled.	\$707.00	N
44264	1972	GAUGE CLUSTER ASSEMBLY V/8, With Gauges & 8000 RPM Tachometer Note: Complete Gauge Cluster Assembly, Assembled.	\$707.00	N
06458263	1972	GAUGE CLUSTER ASSEMBLY With Gauges, Without Tachometer Note: Complete Gauge Cluster Assembly, Assembled.	\$584.00	N
GLOVE BOX LAMP KIT				
18000	1955	GLOVE BOX LAMP KIT Socket, Bulb & Wire	\$24.00	
18000	1956	GLOVE BOX LAMP KIT Socket, Bulb & Wire	\$24.00	
18000	1957	GLOVE BOX LAMP KIT Socket, Bulb & Wire	\$24.00	
18000	1958	GLOVE BOX LAMP KIT Socket, Bulb & Wire	\$24.00	
18000	1959	GLOVE BOX LAMP KIT Socket, Bulb & Wire	\$24.00	

Part Number	Year	Description	Price	*Rev.
18000	1960	GLOVE BOX LAMP KIT Socket, Bulb & Wire	\$24.00	
18000	1961	GLOVE BOX LAMP KIT Socket, Bulb & Wire	\$24.00	
18000	1962	GLOVE BOX LAMP KIT Socket, Bulb & Wire	\$24.00	
18000	1963	GLOVE BOX LAMP KIT Socket, Bulb & Wire	\$24.00	
18000	1964	GLOVE BOX LAMP KIT Socket, Bulb & Wire	\$24.00	
18000	1965	GLOVE BOX LAMP KIT Socket, Bulb & Wire	\$24.00	
18000	1966	GLOVE BOX LAMP KIT Socket, Bulb & Wire	\$24.00	
23190	1967	GLOVE BOX LAMP KIT Socket, Bulb & Wire	\$34.00	
23190	1968	GLOVE BOX LAMP KIT Socket, Bulb & Wire	\$34.00	
23190	1969	GLOVE BOX LAMP KIT Socket, Bulb & Wire	\$34.00	
23190	1970	GLOVE BOX LAMP KIT Socket, Bulb & Wire	\$34.00	
23190	1971	GLOVE BOX LAMP KIT Socket, Bulb & Wire	\$34.00	
23190	1972	GLOVE BOX LAMP KIT Socket, Bulb & Wire	\$34.00	
GROUND STRAP				
22920	1955	GROUND STRAP 2nd Series, 12 Volt, Starter To Frame	\$32.00	N
22920	1956	GROUND STRAP Starter To Frame	\$32.00	N
22920	1957	GROUND STRAP Starter To Frame	\$32.00	N
22920	1958	GROUND STRAP Starter To Frame	\$32.00	N
22920	1959	GROUND STRAP Starter To Frame	\$32.00	N
GROUND WIRE-DISTRIBUTOR POINT PLATE				
38298	1957	GROUND WIRE, DISTRIBUTOR POINT PLATE From Distributor Point Plate To Distributor Housing Note: Replaces Spot Welded Wire Asm On Point Plate Side. Fits All GM V/8 Point Type Distributors From Approx. 1957-1974.	\$17.00	C
38298	1958	GROUND WIRE, DISTRIBUTOR POINT PLATE From Distributor Point Plate To Distributor Housing Note: Replaces Spot Welded Wire Asm On Point Plate Side. Fits All GM V/8 Point Type Distributors From Approx. 1957-1974.	\$17.00	C
38298	1959	GROUND WIRE, DISTRIBUTOR POINT PLATE From Distributor Point Plate To Distributor Housing Note: Replaces Spot Welded Wire Asm On Point Plate Side. Fits All GM V/8 Point Type Distributors From Approx. 1957-1974.	\$17.00	C
38298	1960	GROUND WIRE, DISTRIBUTOR POINT PLATE From Distributor Point Plate To Distributor Housing Note: Replaces Spot Welded Wire Asm On Point Plate Side. Fits All GM V/8 Point Type Distributors From Approx. 1957-1974.	\$17.00	C
38298	1961	GROUND WIRE, DISTRIBUTOR POINT PLATE From Distributor Point Plate To Distributor Housing Note: Replaces Spot Welded Wire Asm On Point Plate Side. Fits All GM V/8 Point Type Distributors From Approx. 1957-1974.	\$17.00	C
38298	1962	GROUND WIRE, DISTRIBUTOR POINT PLATE From Distributor Point Plate To Distributor Housing Note: Replaces Spot Welded Wire Asm On Point Plate Side. Fits All GM V/8 Point Type Distributors From Approx. 1957-1974.	\$17.00	C
38298	1963	GROUND WIRE, DISTRIBUTOR POINT PLATE From Distributor Point Plate To Distributor Housing Note: Replaces Spot Welded Wire Asm On Point Plate Side. Fits All GM V/8 Point Type Distributors From Approx. 1957-1974.	\$17.00	C
38298	1964	GROUND WIRE, DISTRIBUTOR POINT PLATE From Distributor Point Plate To Distributor Housing Note: Replaces Spot Welded Wire Asm On Point Plate Side. Fits All GM V/8 Point Type Distributors From Approx. 1957-1974.	\$17.00	C
38298	1965	GROUND WIRE, DISTRIBUTOR POINT PLATE From Distributor Point Plate To Distributor Housing Note: Replaces Spot Welded Wire Asm On Point Plate Side. Fits All GM V/8 Point Type Distributors From Approx. 1957-1974.	\$17.00	C
38298	1966	GROUND WIRE, DISTRIBUTOR POINT PLATE From Distributor Point Plate To Distributor Housing Note: Replaces Spot Welded Wire Asm On Point Plate Side. Fits All GM V/8 Point Type Distributors From Approx. 1957-1974.	\$17.00	C
38298	1967	GROUND WIRE, DISTRIBUTOR POINT PLATE From Distributor Point Plate To Distributor Housing Note: Replaces Spot Welded Wire Asm On Point Plate Side. Fits All GM V/8 Point Type Distributors From Approx. 1957-1974.	\$17.00	C
38298	1968	GROUND WIRE, DISTRIBUTOR POINT PLATE From Distributor Point Plate To Distributor Housing Note: Replaces Spot Welded Wire Asm On Point Plate Side. Fits All GM V/8 Point Type Distributors From Approx. 1957-1974.	\$17.00	C
38298	1969	GROUND WIRE, DISTRIBUTOR POINT PLATE From Distributor Point Plate To Distributor Housing Note: Replaces Spot Welded Wire Asm On Point Plate Side. Fits All GM V/8 Point Type Distributors From Approx. 1957-1974.	\$17.00	C
38298	1970	GROUND WIRE, DISTRIBUTOR POINT PLATE From Distributor Point Plate To Distributor Housing Note: Replaces Spot Welded Wire Asm On Point Plate Side. Fits All GM V/8 Point Type Distributors From Approx. 1957-1974.	\$17.00	C

Part Number	Year	Description	Price	*Rev.
38298	1971	GROUND WIRE, DISTRIBUTOR POINT PLATE From Distributor Point Plate To Distributor Housing Note: Replaces Spot Welded Wire Asm On Point Plate Side. Fits All GM V/8 Point Type Distributors From Approx. 1957-1974.	\$17.00	C
38298	1972	GROUND WIRE, DISTRIBUTOR POINT PLATE From Distributor Point Plate To Distributor Housing Note: Replaces Spot Welded Wire Asm On Point Plate Side. Fits All GM V/8 Point Type Distributors From Approx. 1957-1974.	\$17.00	C
38298	1973	GROUND WIRE, DISTRIBUTOR POINT PLATE From Distributor Point Plate To Distributor Housing Note: Replaces Spot Welded Wire Asm On Point Plate Side. Fits All GM V/8 Point Type Distributors From Approx. 1957-1974.	\$17.00	C
38298	1974	GROUND WIRE, DISTRIBUTOR POINT PLATE From Distributor Point Plate To Distributor Housing Note: Replaces Spot Welded Wire Asm On Point Plate Side. Fits All GM V/8 Point Type Distributors From Approx. 1957-1974.	\$17.00	C
HARNESS TAPE				
R0058272	1947	HARNESS TAPE 3/4" Vinyl (100 Ft. Roll) Non-Adhesive	\$12.00	
R0058276	1947	HARNESS TAPE 1" Vinyl (100 Ft. Roll) Non-Adhesive	\$13.00	
R0067108	1947	HARNESS TAPE 1 1/4" Vinyl (100 Ft. Roll) Non-Adhesive	\$15.00	
R0058272	1948	HARNESS TAPE 3/4" Vinyl (100 Ft. Roll) Non-Adhesive	\$12.00	
R0058276	1948	HARNESS TAPE 1" Vinyl (100 Ft. Roll) Non-Adhesive	\$13.00	
R0067108	1948	HARNESS TAPE 1 1/4" Vinyl (100 Ft. Roll) Non-Adhesive	\$15.00	
R0058272	1949	HARNESS TAPE 3/4" Vinyl (100 Ft. Roll) Non-Adhesive	\$12.00	
R0058276	1949	HARNESS TAPE 1" Vinyl (100 Ft. Roll) Non-Adhesive	\$13.00	
R0067108	1949	HARNESS TAPE 1 1/4" Vinyl (100 Ft. Roll) Non-Adhesive	\$15.00	
R0058272	1950	HARNESS TAPE 3/4" Vinyl (100 Ft. Roll) Non-Adhesive	\$12.00	
R0058276	1950	HARNESS TAPE 1" Vinyl (100 Ft. Roll) Non-Adhesive	\$13.00	
R0067108	1950	HARNESS TAPE 1 1/4" Vinyl (100 Ft. Roll) Non-Adhesive	\$15.00	
R0058272	1951	HARNESS TAPE 3/4" Vinyl (100 Ft. Roll) Non-Adhesive	\$12.00	
R0058276	1951	HARNESS TAPE 1" Vinyl (100 Ft. Roll) Non-Adhesive	\$13.00	
R0067108	1951	HARNESS TAPE 1 1/4" Vinyl (100 Ft. Roll) Non-Adhesive	\$15.00	
R0058272	1952	HARNESS TAPE 3/4" Vinyl (100 Ft. Roll) Non-Adhesive	\$12.00	
R0058276	1952	HARNESS TAPE 1" Vinyl (100 Ft. Roll) Non-Adhesive	\$13.00	
R0067108	1952	HARNESS TAPE 1 1/4" Vinyl (100 Ft. Roll) Non-Adhesive	\$15.00	
R0058272	1953	HARNESS TAPE 3/4" Vinyl (100 Ft. Roll) Non-Adhesive	\$12.00	
R0058276	1953	HARNESS TAPE 1" Vinyl (100 Ft. Roll) Non-Adhesive	\$13.00	
R0067108	1953	HARNESS TAPE 1 1/4" Vinyl (100 Ft. Roll) Non-Adhesive	\$15.00	
R0058272	1954	HARNESS TAPE 3/4" Vinyl (100 Ft. Roll) Non-Adhesive	\$12.00	
R0058276	1954	HARNESS TAPE 1" Vinyl (100 Ft. Roll) Non-Adhesive	\$13.00	
R0067108	1954	HARNESS TAPE 1 1/4" Vinyl (100 Ft. Roll) Non-Adhesive	\$15.00	
R0058272	1955	HARNESS TAPE 3/4" Vinyl (100 Ft. Roll) Non-Adhesive	\$12.00	
R0058276	1955	HARNESS TAPE 1" Vinyl (100 Ft. Roll) Non-Adhesive	\$13.00	
R0067108	1955	HARNESS TAPE 1 1/4" Vinyl (100 Ft. Roll) Non-Adhesive	\$15.00	
R0058272	1956	HARNESS TAPE 3/4" Vinyl (100 Ft. Roll) Non-Adhesive	\$12.00	
R0058276	1956	HARNESS TAPE 1" Vinyl (100 Ft. Roll) Non-Adhesive	\$13.00	
R0067108	1956	HARNESS TAPE 1 1/4" Vinyl (100 Ft. Roll) Non-Adhesive	\$15.00	
R0058272	1957	HARNESS TAPE 3/4" Vinyl (100 Ft. Roll) Non-Adhesive	\$12.00	
R0058276	1957	HARNESS TAPE 1" Vinyl (100 Ft. Roll) Non-Adhesive	\$13.00	
R0067108	1957	HARNESS TAPE 1 1/4" Vinyl (100 Ft. Roll) Non-Adhesive	\$15.00	
R0058272	1958	HARNESS TAPE 3/4" Vinyl (100 Ft. Roll) Non-Adhesive	\$12.00	
R0058276	1958	HARNESS TAPE 1" Vinyl (100 Ft. Roll) Non-Adhesive	\$13.00	
R0067108	1958	HARNESS TAPE 1 1/4" Vinyl (100 Ft. Roll) Non-Adhesive	\$15.00	
R0058272	1959	HARNESS TAPE 3/4" Vinyl (100 Ft. Roll) Non-Adhesive	\$12.00	
R0058276	1959	HARNESS TAPE 1" Vinyl (100 Ft. Roll) Non-Adhesive	\$13.00	

Part Number	Year	Description	Price	*Rev.
R0067108	1959	HARNESS TAPE 1 1/4" Vinyl (100 Ft. Roll) Non-Adhesive	\$15.00	
R0058272	1960	HARNESS TAPE 3/4" Vinyl (100 Ft. Roll) Non-Adhesive	\$12.00	
R0058276	1960	HARNESS TAPE 1" Vinyl (100 Ft. Roll) Non-Adhesive	\$13.00	
R0067108	1960	HARNESS TAPE 1 1/4" Vinyl (100 Ft. Roll) Non-Adhesive	\$15.00	
R0058272	1961	HARNESS TAPE 3/4" Vinyl (100 Ft. Roll) Non-Adhesive	\$12.00	
R0058276	1961	HARNESS TAPE 1" Vinyl (100 Ft. Roll) Non-Adhesive	\$13.00	
R0067108	1961	HARNESS TAPE 1 1/4" Vinyl (100 Ft. Roll) Non-Adhesive	\$15.00	
R0058272	1962	HARNESS TAPE 3/4" Vinyl (100 Ft. Roll) Non-Adhesive	\$12.00	
R0058276	1962	HARNESS TAPE 1" Vinyl (100 Ft. Roll) Non-Adhesive	\$13.00	
R0067108	1962	HARNESS TAPE 1 1/4" Vinyl (100 Ft. Roll) Non-Adhesive	\$15.00	
R0058272	1963	HARNESS TAPE 3/4" Vinyl (100 Ft. Roll) Non-Adhesive	\$12.00	
R0058276	1963	HARNESS TAPE 1" Vinyl (100 Ft. Roll) Non-Adhesive	\$13.00	
R0067108	1963	HARNESS TAPE 1 1/4" Vinyl (100 Ft. Roll) Non-Adhesive	\$15.00	
R0058272	1964	HARNESS TAPE 3/4" Vinyl (100 Ft. Roll) Non-Adhesive	\$12.00	
R0058276	1964	HARNESS TAPE 1" Vinyl (100 Ft. Roll) Non-Adhesive	\$13.00	
R0067108	1964	HARNESS TAPE 1 1/4" Vinyl (100 Ft. Roll) Non-Adhesive	\$15.00	
R0058272	1965	HARNESS TAPE 3/4" Vinyl (100 Ft. Roll) Non-Adhesive	\$12.00	
R0058276	1965	HARNESS TAPE 1" Vinyl (100 Ft. Roll) Non-Adhesive	\$13.00	
R0067108	1965	HARNESS TAPE 1 1/4" Vinyl (100 Ft. Roll) Non-Adhesive	\$15.00	
R0058272	1966	HARNESS TAPE 3/4" Vinyl (100 Ft. Roll) Non-Adhesive	\$12.00	
R0058276	1966	HARNESS TAPE 1" Vinyl (100 Ft. Roll) Non-Adhesive	\$13.00	
R0067108	1966	HARNESS TAPE 1 1/4" Vinyl (100 Ft. Roll) Non-Adhesive	\$15.00	
R0058272	1967	HARNESS TAPE 3/4" Vinyl (100 Ft. Roll) Non-Adhesive	\$12.00	
R0058276	1967	HARNESS TAPE 1" Vinyl (100 Ft. Roll) Non-Adhesive	\$13.00	
R0067108	1967	HARNESS TAPE 1 1/4" Vinyl (100 Ft. Roll) Non-Adhesive	\$15.00	
R0058272	1968	HARNESS TAPE 3/4" Vinyl (100 Ft. Roll) Non-Adhesive	\$12.00	
R0058276	1968	HARNESS TAPE 1" Vinyl (100 Ft. Roll) Non-Adhesive	\$13.00	
R0067108	1968	HARNESS TAPE 1 1/4" Vinyl (100 Ft. Roll) Non-Adhesive	\$15.00	
R0058272	1969	HARNESS TAPE 3/4" Vinyl (100 Ft. Roll) Non-Adhesive	\$12.00	
R0058276	1969	HARNESS TAPE 1" Vinyl (100 Ft. Roll) Non-Adhesive	\$13.00	
R0067108	1969	HARNESS TAPE 1 1/4" Vinyl (100 Ft. Roll) Non-Adhesive	\$15.00	
R0058272	1970	HARNESS TAPE 3/4" Vinyl (100 Ft. Roll) Non-Adhesive	\$12.00	
R0058276	1970	HARNESS TAPE 1" Vinyl (100 Ft. Roll) Non-Adhesive	\$13.00	
R0067108	1970	HARNESS TAPE 1 1/4" Vinyl (100 Ft. Roll) Non-Adhesive	\$15.00	
R0058272	1971	HARNESS TAPE 3/4" Vinyl (100 Ft. Roll) Non-Adhesive	\$12.00	
R0058276	1971	HARNESS TAPE 1" Vinyl (100 Ft. Roll) Non-Adhesive	\$13.00	
R0067108	1971	HARNESS TAPE 1 1/4" Vinyl (100 Ft. Roll) Non-Adhesive	\$15.00	
R0058272	1972	HARNESS TAPE 3/4" Vinyl (100 Ft. Roll) Non-Adhesive	\$12.00	
R0058276	1972	HARNESS TAPE 1" Vinyl (100 Ft. Roll) Non-Adhesive	\$13.00	
R0067108	1972	HARNESS TAPE 1 1/4" Vinyl (100 Ft. Roll) Non-Adhesive	\$15.00	
R0058272	1973	HARNESS TAPE 3/4" Vinyl (100 Ft. Roll) Non-Adhesive	\$12.00	M
R0058276	1973	HARNESS TAPE 1" Vinyl (100 Ft. Roll) Non-Adhesive	\$13.00	M
R0067108	1973	HARNESS TAPE 1 1/4" Vinyl (100 Ft. Roll) Non-Adhesive	\$15.00	M
R0058272	1974	HARNESS TAPE 3/4" Vinyl (100 Ft. Roll) Non-Adhesive	\$12.00	M
R0058276	1974	HARNESS TAPE 1" Vinyl (100 Ft. Roll) Non-Adhesive	\$13.00	M
R0067108	1974	HARNESS TAPE 1 1/4" Vinyl (100 Ft. Roll) Non-Adhesive	\$15.00	M
R0058272	1975	HARNESS TAPE 3/4" Vinyl (100 Ft. Roll) Non-Adhesive	\$12.00	M

Part Number	Year	Description	Price	*Rev.
R0058276	1975	HARNESS TAPE 1" Vinyl (100 Ft. Roll) Non-Adhesive	\$13.00	M
R0067108	1975	HARNESS TAPE 1 1/4" Vinyl (100 Ft. Roll) Non-Adhesive	\$15.00	M
R0058272	1976	HARNESS TAPE 3/4" Vinyl (100 Ft. Roll) Non-Adhesive	\$12.00	M
R0058276	1976	HARNESS TAPE 1" Vinyl (100 Ft. Roll) Non-Adhesive	\$13.00	M
R0067108	1976	HARNESS TAPE 1 1/4" Vinyl (100 Ft. Roll) Non-Adhesive	\$15.00	M
R0058272	1977	HARNESS TAPE 3/4" Vinyl (100 Ft. Roll) Non-Adhesive	\$12.00	M
R0058276	1977	HARNESS TAPE 1" Vinyl (100 Ft. Roll) Non-Adhesive	\$13.00	M
R0067108	1977	HARNESS TAPE 1 1/4" Vinyl (100 Ft. Roll) Non-Adhesive	\$15.00	M
R0058272	1978	HARNESS TAPE 3/4" Vinyl (100 Ft. Roll) Non-Adhesive	\$12.00	M
R0058276	1978	HARNESS TAPE 1" Vinyl (100 Ft. Roll) Non-Adhesive	\$13.00	M
R0067108	1978	HARNESS TAPE 1 1/4" Vinyl (100 Ft. Roll) Non-Adhesive	\$15.00	M
R0058272	1979	HARNESS TAPE 3/4" Vinyl (100 Ft. Roll) Non-Adhesive	\$12.00	M
R0058276	1979	HARNESS TAPE 1" Vinyl (100 Ft. Roll) Non-Adhesive	\$13.00	M
R0067108	1979	HARNESS TAPE 1 1/4" Vinyl (100 Ft. Roll) Non-Adhesive	\$15.00	M
R0058272	1980	HARNESS TAPE 3/4" Vinyl (100 Ft. Roll) Non-Adhesive	\$12.00	M
R0058276	1980	HARNESS TAPE 1" Vinyl (100 Ft. Roll) Non-Adhesive	\$13.00	M
R0067108	1980	HARNESS TAPE 1 1/4" Vinyl (100 Ft. Roll) Non-Adhesive	\$15.00	M
R0058272	1981	HARNESS TAPE 3/4" Vinyl (100 Ft. Roll) Non-Adhesive	\$12.00	M
R0058276	1981	HARNESS TAPE 1" Vinyl (100 Ft. Roll) Non-Adhesive	\$13.00	M
R0067108	1981	HARNESS TAPE 1 1/4" Vinyl (100 Ft. Roll) Non-Adhesive	\$15.00	M
R0058272	1982	HARNESS TAPE 3/4" Vinyl (100 Ft. Roll) Non-Adhesive	\$12.00	M
R0058276	1982	HARNESS TAPE 1" Vinyl (100 Ft. Roll) Non-Adhesive	\$13.00	M
R0067108	1982	HARNESS TAPE 1 1/4" Vinyl (100 Ft. Roll) Non-Adhesive	\$15.00	M
R0058272	1983	HARNESS TAPE 3/4" Vinyl (100 Ft. Roll) Non-Adhesive	\$12.00	M
R0058276	1983	HARNESS TAPE 1" Vinyl (100 Ft. Roll) Non-Adhesive	\$13.00	M
R0067108	1983	HARNESS TAPE 1 1/4" Vinyl (100 Ft. Roll) Non-Adhesive	\$15.00	M
R0058272	1984	HARNESS TAPE 3/4" Vinyl (100 Ft. Roll) Non-Adhesive	\$12.00	M
R0058276	1984	HARNESS TAPE 1" Vinyl (100 Ft. Roll) Non-Adhesive	\$13.00	M
R0067108	1984	HARNESS TAPE 1 1/4" Vinyl (100 Ft. Roll) Non-Adhesive	\$15.00	M
R0058272	1985	HARNESS TAPE 3/4" Vinyl (100 Ft. Roll) Non-Adhesive	\$12.00	M
R0058276	1985	HARNESS TAPE 1" Vinyl (100 Ft. Roll) Non-Adhesive	\$13.00	M
R0067108	1985	HARNESS TAPE 1 1/4" Vinyl (100 Ft. Roll) Non-Adhesive	\$15.00	M
R0058272	1986	HARNESS TAPE 3/4" Vinyl (100 Ft. Roll) Non-Adhesive	\$12.00	M
R0058276	1986	HARNESS TAPE 1" Vinyl (100 Ft. Roll) Non-Adhesive	\$13.00	M
R0067108	1986	HARNESS TAPE 1 1/4" Vinyl (100 Ft. Roll) Non-Adhesive	\$15.00	M
R0058272	1987	HARNESS TAPE 3/4" Vinyl (100 Ft. Roll) Non-Adhesive	\$12.00	M
R0058276	1987	HARNESS TAPE 1" Vinyl (100 Ft. Roll) Non-Adhesive	\$13.00	M
R0067108	1987	HARNESS TAPE 1 1/4" Vinyl (100 Ft. Roll) Non-Adhesive	\$15.00	M
R0058272	1988	HARNESS TAPE 3/4" Vinyl (100 Ft. Roll) Non-Adhesive	\$12.00	M
R0058276	1988	HARNESS TAPE 1" Vinyl (100 Ft. Roll) Non-Adhesive	\$13.00	M
R0067108	1988	HARNESS TAPE 1 1/4" Vinyl (100 Ft. Roll) Non-Adhesive	\$15.00	M
R0058272	1989	HARNESS TAPE 3/4" Vinyl (100 Ft. Roll) Non-Adhesive	\$12.00	M
R0058276	1989	HARNESS TAPE 1" Vinyl (100 Ft. Roll) Non-Adhesive	\$13.00	M
R0067108	1989	HARNESS TAPE 1 1/4" Vinyl (100 Ft. Roll) Non-Adhesive	\$15.00	M
R0058272	1990	HARNESS TAPE 3/4" Vinyl (100 Ft. Roll) Non-Adhesive	\$12.00	M
R0058276	1990	HARNESS TAPE 1" Vinyl (100 Ft. Roll) Non-Adhesive	\$13.00	M
R0067108	1990	HARNESS TAPE 1 1/4" Vinyl (100 Ft. Roll) Non-Adhesive	\$15.00	M

Part Number	Year	Description	Price	*Rev.
R0058272	1991	HARNESS TAPE 3/4" Vinyl (100 Ft. Roll) Non-Adhesive	\$12.00	M
R0058276	1991	HARNESS TAPE 1" Vinyl (100 Ft. Roll) Non-Adhesive	\$13.00	M
R0067108	1991	HARNESS TAPE 1 1/4" Vinyl (100 Ft. Roll) Non-Adhesive	\$15.00	M
HEADLAMP DIMMER SWITCH				
01997008	1929	HEADLAMP DIMMER SWITCH	\$12.00	N
01997008	1930	HEADLAMP DIMMER SWITCH	\$12.00	N
01997008	1931	HEADLAMP DIMMER SWITCH	\$12.00	N
01997008	1932	HEADLAMP DIMMER SWITCH	\$12.00	N
01997008	1933	HEADLAMP DIMMER SWITCH	\$12.00	N
01997008	1934	HEADLAMP DIMMER SWITCH	\$12.00	N
01997008	1935	HEADLAMP DIMMER SWITCH	\$12.00	N
01997008	1936	HEADLAMP DIMMER SWITCH	\$12.00	N
01997008	1937	HEADLAMP DIMMER SWITCH	\$12.00	N
01997008	1938	HEADLAMP DIMMER SWITCH	\$12.00	N
01997008	1939	HEADLAMP DIMMER SWITCH	\$12.00	N
01997008	1940	HEADLAMP DIMMER SWITCH	\$12.00	N
01997008	1941	HEADLAMP DIMMER SWITCH	\$12.00	N
01997008	1942	HEADLAMP DIMMER SWITCH	\$12.00	N
01997008	1946	HEADLAMP DIMMER SWITCH	\$12.00	N
01997008	1947	HEADLAMP DIMMER SWITCH	\$12.00	N
01997008	1948	HEADLAMP DIMMER SWITCH	\$12.00	N
01997008	1949	HEADLAMP DIMMER SWITCH	\$12.00	N
01997008	1950	HEADLAMP DIMMER SWITCH	\$12.00	N
01997008	1951	HEADLAMP DIMMER SWITCH	\$12.00	N
01997008	1952	HEADLAMP DIMMER SWITCH	\$12.00	N
01997008	1953	HEADLAMP DIMMER SWITCH	\$12.00	N
01997008	1954	HEADLAMP DIMMER SWITCH	\$12.00	N
01997008	1955	HEADLAMP DIMMER SWITCH 6 Volt	\$12.00	N
01997021	1955	HEADLAMP DIMMER SWITCH 12 Volt	\$19.00	N
01997021	1956	HEADLAMP DIMMER SWITCH	\$19.00	N
01997023	1957	HEADLAMP DIMMER SWITCH	\$16.00	N
01997023	1958	HEADLAMP DIMMER SWITCH	\$16.00	N
01997023	1959	HEADLAMP DIMMER SWITCH	\$16.00	N
01997023	1960	HEADLAMP DIMMER SWITCH	\$16.00	N
01997028	1961	HEADLAMP DIMMER SWITCH	\$7.50	N
01997028	1962	HEADLAMP DIMMER SWITCH	\$7.50	N
01997028	1963	HEADLAMP DIMMER SWITCH	\$7.50	N
01997028	1964	HEADLAMP DIMMER SWITCH	\$7.50	N
01997023	1965	HEADLAMP DIMMER SWITCH Without 4 Wheel Drive	\$16.00	N
01997028	1965	HEADLAMP DIMMER SWITCH	\$7.50	N
01997023	1966	HEADLAMP DIMMER SWITCH Without 4 Wheel Drive	\$16.00	N
01997028	1966	HEADLAMP DIMMER SWITCH	\$7.50	N
01997028	1967	HEADLAMP DIMMER SWITCH	\$7.50	N
01997028	1968	HEADLAMP DIMMER SWITCH	\$7.50	N
01997028	1969	HEADLAMP DIMMER SWITCH	\$7.50	N
01997028	1970	HEADLAMP DIMMER SWITCH	\$7.50	N
07844166	1984	HEADLAMP DIMMER SWITCH Column Mounted	\$13.00	N

Part Number	Year	Description	Price	*Rev.
07844166	1985	HEADLAMP DIMMER SWITCH Column Mounted	\$13.00	N
07844166	1986	HEADLAMP DIMMER SWITCH Column Mounted	\$13.00	N
07844166	1987	HEADLAMP DIMMER SWITCH Column Mounted Note: RV Model, Square Body Style.	\$13.00	N
07844166	1988	HEADLAMP DIMMER SWITCH Column Mounted Note: RV Model, Square Body Style.	\$13.00	N
07844166	1989	HEADLAMP DIMMER SWITCH Column Mounted Note: RV Model, Square Body Style.	\$13.00	N
07844166	1990	HEADLAMP DIMMER SWITCH Column Mounted Note: RV Model, Square Body Style.	\$13.00	N
07844166	1991	HEADLAMP DIMMER SWITCH Column Mounted Note: RV Model, Square Body Style.	\$13.00	N
HEADLAMP EXTENSION HARNESS				
03340	1960	HEADLAMP EXTENSION HARNESS Dual Headlights, Front Grill Extension	\$98.00	
03340	1961	HEADLAMP EXTENSION HARNESS Dual Headlights, Front Grill Extension	\$98.00	
20690	1962	HEADLAMP EXTENSION HARNESS Single Headlights, Front Grill Extension	\$94.00	
04720	1963	HEADLAMP EXTENSION HARNESS Single Headlights, Front Grill Extension	\$80.00	
04720	1964	HEADLAMP EXTENSION HARNESS Single Headlights, Front Grill Extension	\$80.00	
04720	1965	HEADLAMP EXTENSION HARNESS Single Headlights, Front Grill Extension	\$80.00	
04720	1966	HEADLAMP EXTENSION HARNESS Single Headlights, Front Grill Extension	\$80.00	
HEADLIGHT BUCKET EXTENSION HARNESS				
20225	1955	HEADLIGHT BUCKET EXTENSION HARNESS Set Of 2	\$48.00	
20225	1956	HEADLIGHT BUCKET EXTENSION HARNESS Set Of 2	\$48.00	
20225	1957	HEADLIGHT BUCKET EXTENSION HARNESS Set Of 2	\$48.00	
19645	1958	HEADLIGHT BUCKET EXTENSION HARNESS Set Of 2	\$63.00	
19645	1959	HEADLIGHT BUCKET EXTENSION HARNESS Set Of 2	\$63.00	
HEADLIGHT SWITCH				
01995041	1947	HEADLIGHT SWITCH Snap On Terminal Note: Used On Vehicles With A Fused Dome, Stop Lamp, & Glove Box Light Circuit.	\$62.00	N
01995031	1947	HEADLIGHT SWITCH With Screw Terminals Note: Used On Vehicles Without A Fused Dome, Stop Lamp, & Glove Box Light Circuit.	\$62.00	N
01995041	1948	HEADLIGHT SWITCH Snap On Terminal Note: Used On Vehicles With A Fused Dome, Stop Lamp, & Glove Box Light Circuit.	\$62.00	N
01995031	1948	HEADLIGHT SWITCH With Screw Terminals Note: Used On Vehicles Without A Fused Dome, Stop Lamp, & Glove Box Light Circuit.	\$62.00	N
01995041	1949	HEADLIGHT SWITCH Snap On Terminal Note: Used On Vehicles With A Fused Dome, Stop Lamp, & Glove Box Light Circuit.	\$62.00	N
01995031	1949	HEADLIGHT SWITCH With Screw Terminals Note: Used On Vehicles Without A Fused Dome, Stop Lamp, & Glove Box Light Circuit.	\$62.00	N
01995041	1950	HEADLIGHT SWITCH Snap On Terminal Note: Used On Vehicles With A Fused Dome, Stop Lamp, & Glove Box Light Circuit.	\$62.00	N
01995031	1950	HEADLIGHT SWITCH With Screw Terminals Note: Used On Vehicles Without A Fused Dome, Stop Lamp, & Glove Box Light Circuit.	\$62.00	N
01995041	1951	HEADLIGHT SWITCH Snap On Terminal Note: Used On Vehicles With A Fused Dome, Stop Lamp, & Glove Box Light Circuit.	\$62.00	N
01995041	1952	HEADLIGHT SWITCH Snap On Terminal Note: Used On Vehicles With A Fused Dome, Stop Lamp, & Glove Box Light Circuit.	\$62.00	N

Part Number	Year	Description	Price	*Rev.
01995041	1953	HEADLIGHT SWITCH Snap On Terminal Note: Used On Vehicles With A Fused Dome, Stop Lamp, & Glove Box Light Circuit.	\$62.00	N
01995041	1954	HEADLIGHT SWITCH Snap On Terminal Note: Used On Vehicles With A Fused Dome, Stop Lamp, & Glove Box Light Circuit.	\$62.00	N
01995041	1955	HEADLIGHT SWITCH 6 Volt, Snap On Terminal Note: Used On Vehicles With A Fused Dome, Stop Lamp, & Glove Box Light Circuit.	\$62.00	N
01995082	1955	HEADLIGHT SWITCH 12 Volt	\$45.00	
01995082	1956	HEADLIGHT SWITCH All	\$45.00	
01995082	1957	HEADLIGHT SWITCH All	\$45.00	
01995082	1958	HEADLIGHT SWITCH All	\$45.00	
01995082	1959	HEADLIGHT SWITCH All	\$45.00	
01995096	1960	HEADLIGHT SWITCH All	\$31.00	
01995096	1961	HEADLIGHT SWITCH All	\$31.00	
01995096	1962	HEADLIGHT SWITCH All	\$31.00	
01995096	1963	HEADLIGHT SWITCH All	\$31.00	
01995179	1964	HEADLIGHT SWITCH	\$20.00	N
01995179	1965	HEADLIGHT SWITCH	\$20.00	N
01995179	1966	HEADLIGHT SWITCH	\$20.00	N
01995179	1967	HEADLIGHT SWITCH	\$20.00	N
01995179	1968	HEADLIGHT SWITCH	\$20.00	N
01995179	1969	HEADLIGHT SWITCH	\$20.00	N
01995179	1970	HEADLIGHT SWITCH	\$20.00	N
01995179	1971	HEADLIGHT SWITCH	\$20.00	N
01995179	1972	HEADLIGHT SWITCH	\$20.00	N
01995216	1973	HEADLIGHT SWITCH	\$20.00	N
01995216	1974	HEADLIGHT SWITCH	\$20.00	N
01995216	1975	HEADLIGHT SWITCH	\$20.00	N
01995216	1976	HEADLIGHT SWITCH	\$20.00	N
01995216	1977	HEADLIGHT SWITCH	\$20.00	N
01995216	1978	HEADLIGHT SWITCH	\$20.00	N
01995216	1979	HEADLIGHT SWITCH	\$20.00	N
01995216	1980	HEADLIGHT SWITCH	\$20.00	N
01995216	1981	HEADLIGHT SWITCH	\$20.00	N
01995216	1982	HEADLIGHT SWITCH	\$20.00	N
01995216	1983	HEADLIGHT SWITCH	\$20.00	N
01995216	1984	HEADLIGHT SWITCH	\$20.00	N
01995216	1985	HEADLIGHT SWITCH	\$20.00	N
01995216	1986	HEADLIGHT SWITCH	\$20.00	N
01995216	1987	HEADLIGHT SWITCH RV Body Style	\$20.00	N
01995216	1988	HEADLIGHT SWITCH RV Body Style	\$20.00	N
01995216	1989	HEADLIGHT SWITCH RV Body Style	\$20.00	N
01995216	1990	HEADLIGHT SWITCH RV Body Style	\$20.00	N
01995216	1991	HEADLIGHT SWITCH RV Body Style	\$20.00	N
HEATER BLOWER MOTOR RESISTOR				
03929052	1938	HEATER BLOWER MOTOR RESISTOR Without A/C	\$15.00	N
03929052	1939	HEATER BLOWER MOTOR RESISTOR Without A/C	\$15.00	N
03929052	1940	HEATER BLOWER MOTOR RESISTOR Without A/C	\$15.00	N

Part Number	Year	Description	Price	*Rev.
03929052	1941	HEATER BLOWER MOTOR RESISTOR Without A/C	\$15.00	N
03929052	1942	HEATER BLOWER MOTOR RESISTOR Without A/C	\$15.00	N
03929052	1946	HEATER BLOWER MOTOR RESISTOR Without A/C	\$15.00	N
03929052	1947	HEATER BLOWER MOTOR RESISTOR Without A/C	\$15.00	N
03929052	1948	HEATER BLOWER MOTOR RESISTOR Without A/C	\$15.00	N
03929052	1949	HEATER BLOWER MOTOR RESISTOR Without A/C	\$15.00	N
03929052	1950	HEATER BLOWER MOTOR RESISTOR Without A/C	\$15.00	N
03929052	1951	HEATER BLOWER MOTOR RESISTOR Without A/C	\$15.00	N
03929052	1952	HEATER BLOWER MOTOR RESISTOR Without A/C	\$15.00	N
03929052	1953	HEATER BLOWER MOTOR RESISTOR Without A/C	\$15.00	N
03929052	1954	HEATER BLOWER MOTOR RESISTOR Without A/C	\$15.00	N
03929052	1955	HEATER BLOWER MOTOR RESISTOR Without A/C	\$15.00	N
03929052	1956	HEATER BLOWER MOTOR RESISTOR Without A/C	\$15.00	N
03929052	1957	HEATER BLOWER MOTOR RESISTOR Without A/C	\$15.00	N
03929052	1958	HEATER BLOWER MOTOR RESISTOR Without A/C	\$15.00	N
03929052	1959	HEATER BLOWER MOTOR RESISTOR Without A/C	\$15.00	N
03929052	1960	HEATER BLOWER MOTOR RESISTOR Without A/C	\$15.00	N
03929052	1961	HEATER BLOWER MOTOR RESISTOR Without A/C	\$15.00	N
03929052	1962	HEATER BLOWER MOTOR RESISTOR Without A/C	\$15.00	N
03929052	1963	HEATER BLOWER MOTOR RESISTOR Without A/C	\$15.00	N
03929052	1964	HEATER BLOWER MOTOR RESISTOR Without A/C	\$15.00	N
03929052	1965	HEATER BLOWER MOTOR RESISTOR Without A/C	\$15.00	N
03929052	1966	HEATER BLOWER MOTOR RESISTOR Without A/C	\$15.00	N
03929052	1967	HEATER BLOWER MOTOR RESISTOR Without A/C	\$15.00	N
03929052	1968	HEATER BLOWER MOTOR RESISTOR Without A/C	\$15.00	N
03929052	1969	HEATER BLOWER MOTOR RESISTOR Without A/C	\$15.00	N
03929052	1970	HEATER BLOWER MOTOR RESISTOR Without A/C	\$15.00	N
03929052	1971	HEATER BLOWER MOTOR RESISTOR Without A/C	\$15.00	N
03929052	1972	HEATER BLOWER MOTOR RESISTOR Without A/C	\$15.00	N
03929052	1982	HEATER BLOWER MOTOR RESISTOR Suburban, Auxiliary Blower Motor, Without A/C	\$15.00	N
03929052	1983	HEATER BLOWER MOTOR RESISTOR Suburban, Auxiliary Blower Motor, Without A/C	\$15.00	N
03929052	1984	HEATER BLOWER MOTOR RESISTOR Suburban, Auxiliary Blower Motor, Without A/C	\$15.00	N
03929052	1985	HEATER BLOWER MOTOR RESISTOR Suburban, Auxiliary Blower Motor, Without A/C	\$15.00	N
03929052	1986	HEATER BLOWER MOTOR RESISTOR Suburban, Auxiliary Blower Motor, Without A/C	\$15.00	N
03929052	1987	HEATER BLOWER MOTOR RESISTOR Suburban, Auxiliary Blower Motor, Without A/C	\$15.00	N
03929052	1988	HEATER BLOWER MOTOR RESISTOR Suburban, Auxiliary Blower Motor, Without A/C	\$15.00	N
03929052	1989	HEATER BLOWER MOTOR RESISTOR Suburban, Auxiliary Blower Motor, Without A/C	\$15.00	N
03929052	1990	HEATER BLOWER MOTOR RESISTOR Suburban, Auxiliary Blower Motor, Without A/C	\$15.00	N
03929052	1991	HEATER BLOWER MOTOR RESISTOR Suburban, Auxiliary Blower Motor, Without A/C	\$15.00	N
HEATER BLOWER MOTOR SWITCH				
03757698	1955	HEATER BLOWER MOTOR SWITCH With Deluxe Heater	\$39.00	N
03757698	1956	HEATER BLOWER MOTOR SWITCH With Deluxe Heater	\$39.00	N
03757698	1957	HEATER BLOWER MOTOR SWITCH With Deluxe Heater	\$39.00	N
03757698	1958	HEATER BLOWER MOTOR SWITCH With Deluxe Heater	\$39.00	N
03757698	1959	HEATER BLOWER MOTOR SWITCH With Deluxe Heater	\$39.00	N
03840039	1964	HEATER BLOWER MOTOR SWITCH With Deluxe Heater, Without A/C	\$13.00	
03840039	1965	HEATER BLOWER MOTOR SWITCH With Deluxe Heater, Without A/C	\$13.00	

Part Number	Year	Description	Price	*Rev.
03840039	1966	HEATER BLOWER MOTOR SWITCH With Deluxe Heater, Without A/C	\$13.00	
03840039	1967	HEATER BLOWER MOTOR SWITCH Without A/C	\$13.00	
03857992	1967	HEATER BLOWER MOTOR SWITCH With A/C	\$17.00	
03840039	1968	HEATER BLOWER MOTOR SWITCH Without A/C	\$13.00	
03857992	1968	HEATER BLOWER MOTOR SWITCH With A/C	\$17.00	
03840039	1969	HEATER BLOWER MOTOR SWITCH Without A/C	\$13.00	
03857992	1969	HEATER BLOWER MOTOR SWITCH With A/C	\$17.00	
03840039	1970	HEATER BLOWER MOTOR SWITCH Without A/C	\$13.00	
03857992	1970	HEATER BLOWER MOTOR SWITCH With A/C	\$17.00	
03840039	1971	HEATER BLOWER MOTOR SWITCH Without A/C	\$13.00	
03857992	1971	HEATER BLOWER MOTOR SWITCH With A/C	\$17.00	
03857992	1972	HEATER BLOWER MOTOR SWITCH With A/C	\$17.00	
03840039	1972	HEATER BLOWER MOTOR SWITCH Without A/C	\$13.00	
HEATER BLOWER MOTOR WIRE				
30775	1964	HEATER BLOWER MOTOR WIRE Fuse Block To Blower Switch	\$18.00	
30775	1965	HEATER BLOWER MOTOR WIRE Fuse Block To Blower Switch	\$18.00	
30775	1966	HEATER BLOWER MOTOR WIRE Fuse Block To Blower Switch	\$18.00	
HEATER CONTROL LAMP WIRE				
19940	1964	HEATER CONTROL LAMP WIRE Deluxe Heater, Without A/C	\$18.00	
19940	1965	HEATER CONTROL LAMP WIRE Deluxe Heater, Without A/C	\$18.00	
19940	1966	HEATER CONTROL LAMP WIRE Deluxe Heater, Without A/C	\$18.00	
40132	1967	HEATER CONTROL LAMP WIRE Deluxe Heater, Without A/C	\$26.00	
40132	1968	HEATER CONTROL LAMP WIRE Deluxe Heater, Without A/C	\$26.00	
HEATER HARNESS				
38071	1960	HEATER HARNESS Standard 2 Speed Heater, Without A/C	\$40.00	
38071	1961	HEATER HARNESS Standard 2 Speed Heater, Without A/C	\$40.00	
38071	1962	HEATER HARNESS Standard 2 Speed Heater, Without A/C	\$40.00	
41474	1963	HEATER HARNESS Standard 2 Speed Heater, Without A/C	\$45.00	
19970	1964	HEATER HARNESS Standard 2 Speed Heater, Without A/C	\$40.00	
19925	1964	HEATER HARNESS Deluxe 3 Speed Heater, Without A/C	\$40.00	
19970	1965	HEATER HARNESS Standard 2 Speed Heater, Without A/C	\$40.00	
19925	1965	HEATER HARNESS Deluxe 3 Speed Heater, Without A/C	\$40.00	
19970	1966	HEATER HARNESS Standard 2 Speed Heater, Without A/C	\$40.00	
19925	1966	HEATER HARNESS Deluxe 3 Speed Heater, Without A/C	\$40.00	
28520	1967	HEATER HARNESS Without A/C	\$40.00	
28520	1968	HEATER HARNESS Without A/C	\$40.00	
23470	1969	HEATER HARNESS Without A/C	\$40.00	
23470	1970	HEATER HARNESS Without A/C	\$40.00	
23470	1971	HEATER HARNESS Without A/C	\$40.00	
23470	1972	HEATER HARNESS Without A/C	\$40.00	
39707	1973	HEATER HARNESS Except Heavy Duty Heater, Without A/C, (For Use With 3 Terminal Heater Resistor)	\$80.00	M
39305	1973	HEATER HARNESS With Heavy Duty Heater, Without A/C, (For Use With 4 Terminal Heater Resistor)	\$94.00	M
39707	1974	HEATER HARNESS Except Heavy Duty Heater, Without A/C, (For Use With 3 Terminal Heater Resistor)	\$80.00	M
39305	1974	HEATER HARNESS With Heavy Duty Heater, Without A/C, (For Use With 4 Terminal Heater Resistor)	\$94.00	M

Part Number	Year	Description	Price	*Rev.
39707	1975	HEATER HARNESS Except Heavy Duty Heater, Without A/C, (For Use With 3 Terminal Heater Resistor)	\$80.00	M
39305	1975	HEATER HARNESS With Heavy Duty Heater, Without A/C, (For Use With 4 Terminal Heater Resistor)	\$94.00	M
39707	1976	HEATER HARNESS Except Heavy Duty Heater, Without A/C, (For Use With 3 Terminal Heater Resistor)	\$80.00	M
39305	1976	HEATER HARNESS With Heavy Duty Heater, Without A/C, (For Use With 4 Terminal Heater Resistor)	\$94.00	M
39815	1976	HEATER HARNESS All Suburban, & 2 Wheel Drive Blazer & Jimmy, With Rear Auxiliary Heater	\$87.00	M
39707	1977	HEATER HARNESS Except Heavy Duty Heater, Without A/C, (For Use With 3 Terminal Heater Resistor)	\$80.00	M
39305	1977	HEATER HARNESS With Heavy Duty Heater, Without A/C, (For Use With 4 Terminal Heater Resistor)	\$94.00	M
39815	1977	HEATER HARNESS All Suburban, & 2 Wheel Drive Blazer & Jimmy, With Rear Auxiliary Heater	\$87.00	M
39707	1978	HEATER HARNESS Except Heavy Duty Heater, Without A/C, (For Use With 3 Terminal Heater Resistor)	\$80.00	M
39305	1978	HEATER HARNESS With Heavy Duty Heater, Without A/C, (For Use With 4 Terminal Heater Resistor)	\$94.00	M
39815	1978	HEATER HARNESS All Suburban, & 2 Wheel Drive Blazer & Jimmy, With Rear Auxiliary Heater	\$87.00	M
39707	1979	HEATER HARNESS Except Heavy Duty Heater, Without A/C, (For Use With 3 Terminal Heater Resistor)	\$80.00	M
39305	1979	HEATER HARNESS With Heavy Duty Heater, Without A/C, (For Use With 4 Terminal Heater Resistor)	\$94.00	M
39910	1979	HEATER HARNESS All Suburban, & 2 Wheel Drive Blazer & Jimmy, With Rear Auxiliary Heater	\$87.00	M
39707	1980	HEATER HARNESS Except Heavy Duty Heater, Without A/C, (For Use With 3 Terminal Heater Resistor)	\$80.00	M
39305	1980	HEATER HARNESS With Heavy Duty Heater, Without A/C, (For Use With 4 Terminal Heater Resistor)	\$94.00	M
39910	1980	HEATER HARNESS All Suburban, & 2 Wheel Drive Blazer & Jimmy, With Rear Auxiliary Heater	\$87.00	M
39910	1981	HEATER HARNESS All Suburban, & 2 Wheel Drive Blazer & Jimmy, With Rear Auxiliary Heater	\$87.00	M
39934	1981	HEATER HARNESS Except Heavy Duty Heater, Without A/C, (For Use With 3 Terminal Heater Resistor)	\$80.00	M
39935	1981	HEATER HARNESS With Heavy Duty Heater, Without A/C, (For Use With 4 Terminal Heater Resistor)	\$87.00	M
39934	1982	HEATER HARNESS Except Heavy Duty Heater, Without A/C, (For Use With 3 Terminal Heater Resistor)	\$80.00	M
39935	1982	HEATER HARNESS With Heavy Duty Heater, Without A/C, (For Use With 4 Terminal Heater Resistor)	\$87.00	M
HOOD LAMP HARNESS				
38070	1960	HOOD LAMP HARNESS For Park & Directional Lights In Hood	\$67.00	
38070	1961	HOOD LAMP HARNESS For Park & Directional Lights In Hood	\$67.00	
38082	1962	HOOD LAMP HARNESS For Park & Directional Lights In Hood	\$67.00	
02667	1963	HOOD LAMP HARNESS For Park & Directional Lights In Hood	\$67.00	
02667	1964	HOOD LAMP HARNESS For Park & Directional Lights In Hood	\$67.00	
02667	1965	HOOD LAMP HARNESS For Park & Directional Lights In Hood	\$67.00	
02667	1966	HOOD LAMP HARNESS For Park & Directional Lights In Hood	\$67.00	
HORN WIRE				
39706	1974	HORN WIRE Used With Hi Note Horn	\$30.00	M

Part Number	Year	Description	Price	*Rev.
39789	1975	HORN WIRE Used With Hi Note Horn	\$30.00	M
IDLE SPEED SWITCH HARNESS				
37523	1979	IDLE SPEED SWITCH HARNESS 1-Ton Truck, With V/8	\$66.00	M
37523	1980	IDLE SPEED SWITCH HARNESS 1-Ton Truck, With V/8	\$66.00	M
IDLE STOP SOLENOID JUMPER WIRE				
40013	1982	IDLE STOP SOLENOID JUMPER WIRE Idle Stop Solenoid To A/C Harness	\$26.00	M
IGNITION BALLAST RESISTOR				
01957154	1955	IGNITION BALLAST RESISTOR All, 12 Volt	\$12.00	N
01957154	1956	IGNITION BALLAST RESISTOR All	\$12.00	N
01957154	1957	IGNITION BALLAST RESISTOR All	\$12.00	N
01957154	1958	IGNITION BALLAST RESISTOR All	\$12.00	N
01957154	1959	IGNITION BALLAST RESISTOR All	\$12.00	N
IGNITION CYLINDER AND KEYS				
20071252	1973	IGNITION CYLINDER AND KEYS Chrome, All	\$18.50	N
20071252	1974	IGNITION CYLINDER AND KEYS Chrome, All	\$18.50	N
20071252	1975	IGNITION CYLINDER AND KEYS Chrome, All	\$18.50	N
20071252	1976	IGNITION CYLINDER AND KEYS Chrome, All	\$18.50	N
20071252	1977	IGNITION CYLINDER AND KEYS Chrome, All	\$18.50	N
20071252	1978	IGNITION CYLINDER AND KEYS Chrome, All, 1st Design, Used On Columns Without Lock Cylinder Retaining Screw	\$18.50	N
07833759	1978	IGNITION CYLINDER AND KEYS Chrome, All, 2nd Design, Used On Columns With Lock Cylinder Retaining Screw	\$18.50	N
07833759	1979	IGNITION CYLINDER AND KEYS Chrome, All	\$18.50	N
07833759	1980	IGNITION CYLINDER AND KEYS Chrome, All	\$18.50	N
07833759	1981	IGNITION CYLINDER AND KEYS Chrome, All	\$18.50	N
07833759	1982	IGNITION CYLINDER AND KEYS Chrome, All	\$18.50	N
07833759	1983	IGNITION CYLINDER AND KEYS Chrome, All	\$18.50	N
07833759	1984	IGNITION CYLINDER AND KEYS Chrome, All	\$18.50	N
07833759	1985	IGNITION CYLINDER AND KEYS Chrome, All	\$18.50	N
07833759	1986	IGNITION CYLINDER AND KEYS Chrome, All	\$18.50	N
07833759	1987	IGNITION CYLINDER AND KEYS Chrome, All	\$18.50	N
07833759	1988	IGNITION CYLINDER AND KEYS Chrome, All	\$18.50	N
07833759	1989	IGNITION CYLINDER AND KEYS Chrome, All	\$18.50	N
07833759	1990	IGNITION CYLINDER AND KEYS Chrome, All	\$18.50	N
07833759	1991	IGNITION CYLINDER AND KEYS Chrome, All	\$18.50	N
IGNITION SWITCH				
01116464	1947	IGNITION SWITCH	\$39.00	N
01116464	1948	IGNITION SWITCH	\$39.00	N
01116464	1949	IGNITION SWITCH	\$39.00	N
01116464	1950	IGNITION SWITCH	\$39.00	N
01116464	1951	IGNITION SWITCH	\$39.00	N
01116464	1952	IGNITION SWITCH	\$39.00	N
01116464	1953	IGNITION SWITCH	\$39.00	N
01116469	1954	IGNITION SWITCH 6 Volt	\$54.00	N
01116469	1955	IGNITION SWITCH 1st Series, 6 Volt	\$54.00	N
01116514	1955	IGNITION SWITCH V/8	\$50.00	N

Part Number	Year	Description	Price	*Rev.
01116514	1956	IGNITION SWITCH V/8	\$50.00	N
01116570	1957	IGNITION SWITCH 6 Cylinder, With Automatic Transmission	\$62.00	N
01116570	1957	IGNITION SWITCH V/8	\$62.00	N
01116570	1958	IGNITION SWITCH 6 Cylinder, With Automatic Transmission	\$62.00	N
01116570	1958	IGNITION SWITCH V/8	\$62.00	N
01116570	1959	IGNITION SWITCH 6 Cylinder, With Automatic Transmission	\$62.00	N
01116570	1959	IGNITION SWITCH V/8	\$62.00	N
44206	1960	IGNITION SWITCH KIT Note: Includes Wiring Adapter, Ignition Switch And Instructions.	\$54.00	N
44206	1961	IGNITION SWITCH KIT Note: Includes Wiring Adapter, Ignition Switch And Instructions.	\$54.00	N
01116626	1962	IGNITION SWITCH	\$24.00	N
01116626	1963	IGNITION SWITCH	\$24.00	N
01116626	1964	IGNITION SWITCH	\$24.00	N
01116626	1965	IGNITION SWITCH	\$24.00	N
01116626	1966	IGNITION SWITCH	\$24.00	N
01116712	1967	IGNITION SWITCH	\$18.00	N
01116712	1968	IGNITION SWITCH	\$18.00	N
01116712	1969	IGNITION SWITCH	\$18.00	N
01116712	1970	IGNITION SWITCH	\$18.00	N
01116712	1971	IGNITION SWITCH	\$18.00	N
01116712	1972	IGNITION SWITCH	\$18.00	N
01990110	1973	IGNITION SWITCH All, With Tilt	\$14.00	N
01990110	1974	IGNITION SWITCH All, With Tilt	\$14.00	N
01990110	1975	IGNITION SWITCH All, With Tilt	\$14.00	N
01990110	1976	IGNITION SWITCH All, With Tilt	\$14.00	N
01990110	1977	IGNITION SWITCH All, With Tilt	\$14.00	N
01990110	1978	IGNITION SWITCH All, With Tilt	\$14.00	N
01990110	1979	IGNITION SWITCH All, With Tilt	\$14.00	N
01990110	1980	IGNITION SWITCH All, With Tilt	\$14.00	N
01990110	1981	IGNITION SWITCH All, With Tilt	\$14.00	N
01990110	1982	IGNITION SWITCH All, With Tilt	\$14.00	N
01990110	1983	IGNITION SWITCH All, With Tilt	\$14.00	N
01990110	1984	IGNITION SWITCH All, With Tilt	\$14.00	N
01990110	1985	IGNITION SWITCH All, With Tilt	\$14.00	N
01990110	1986	IGNITION SWITCH All, With Tilt	\$14.00	N
01990110	1987	IGNITION SWITCH All, With Tilt Note: Used On R & V Body Styles.	\$14.00	N
01990110	1988	IGNITION SWITCH All, With Tilt Note: Used On R & V Body Styles.	\$14.00	N
01990110	1989	IGNITION SWITCH All, With Tilt Note: Used On R & V Body Styles.	\$14.00	N
01990110	1990	IGNITION SWITCH All, With Tilt Note: Used On R & V Body Styles.	\$14.00	N
01990110	1991	IGNITION SWITCH All, With Tilt Note: Used On R & V Body Styles.	\$14.00	N
01990110	1992	IGNITION SWITCH All, With Tilt	\$14.00	N

Part Number	Year	Description	Price	*Rev.
01990110	1993	IGNITION SWITCH All, With Tilt	\$14.00	N
01990110	1994	IGNITION SWITCH All, With Tilt	\$14.00	N
IGNITION SWITCH ADAPTER				
37444	1957	IGNITION SWITCH ADAPTER For Using 1955-56 Ignition Switch In 1957-59 Chevy Trucks Note: Allows 1957-59 Chevy Truck Engine Harnesses To Be Connected To The Reproduction Ignition Switch Available For 1955-56 Chevy Trucks & Cars.	\$25.00	
37444	1958	IGNITION SWITCH ADAPTER For Using 1955-56 Ignition Switch In 1957-59 Chevy Trucks Note: Allows 1957-59 Chevy Truck Engine Harnesses To Be Connected To The Reproduction Ignition Switch Available For 1955-56 Chevy Trucks & Cars.	\$25.00	
37444	1959	IGNITION SWITCH ADAPTER For Using 1955-56 Ignition Switch In 1957-59 Chevy Trucks Note: Allows 1957-59 Chevy Truck Engine Harnesses To Be Connected To The Reproduction Ignition Switch Available For 1955-56 Chevy Trucks & Cars.	\$25.00	
INSTRUMENT GAUGE CLUSTER CLIP KIT				
08986000	1973	CLIP KIT All, Instrument Gauge Cluster / Printed Circuit Board Retaining Clip Note: Replaces Original GM Part Number 08986000, Includes 12 Clips Per Kit.	\$14.00	N
08986000	1974	CLIP KIT All, Instrument Gauge Cluster / Printed Circuit Board Retaining Clip Note: Replaces Original GM Part Number 08986000, Includes 12 Clips Per Kit.	\$14.00	N
08986000	1975	CLIP KIT All, Instrument Gauge Cluster / Printed Circuit Board Retaining Clip Note: Replaces Original GM Part Number 08986000, Includes 12 Clips Per Kit.	\$14.00	N
08986000	1976	CLIP KIT All, Instrument Gauge Cluster / Printed Circuit Board Retaining Clip Note: Replaces Original GM Part Number 08986000, Includes 12 Clips Per Kit.	\$14.00	N
08986000	1977	CLIP KIT All, Instrument Gauge Cluster / Printed Circuit Board Retaining Clip Note: Replaces Original GM Part Number 08986000, Includes 12 Clips Per Kit.	\$14.00	N
08986000	1978	CLIP KIT All, Instrument Gauge Cluster / Printed Circuit Board Retaining Clip Note: Replaces Original GM Part Number 08986000, Includes 12 Clips Per Kit.	\$14.00	N
08986000	1979	CLIP KIT All, Instrument Gauge Cluster / Printed Circuit Board Retaining Clip Note: Replaces Original GM Part Number 08986000, Includes 12 Clips Per Kit.	\$14.00	N
08986000	1980	CLIP KIT All, Instrument Gauge Cluster / Printed Circuit Board Retaining Clip Note: Replaces Original GM Part Number 08986000, Includes 12 Clips Per Kit.	\$14.00	N
08986000	1981	CLIP KIT All, Instrument Gauge Cluster / Printed Circuit Board Retaining Clip Note: Replaces Original GM Part Number 08986000, Includes 12 Clips Per Kit.	\$14.00	N
08986000	1982	CLIP KIT All, Instrument Gauge Cluster / Printed Circuit Board Retaining Clip Note: Replaces Original GM Part Number 08986000, Includes 12 Clips Per Kit.	\$14.00	N
08986000	1983	CLIP KIT All, Instrument Gauge Cluster / Printed Circuit Board Retaining Clip Note: Replaces Original GM Part Number 08986000, Includes 12 Clips Per Kit.	\$14.00	N
08986000	1984	CLIP KIT All, Instrument Gauge Cluster / Printed Circuit Board Retaining Clip Note: Replaces Original GM Part Number 08986000, Includes 12 Clips Per Kit.	\$14.00	N
08986000	1985	CLIP KIT All, Instrument Gauge Cluster / Printed Circuit Board Retaining Clip Note: Replaces Original GM Part Number 08986000, Includes 12 Clips Per Kit.	\$14.00	N

Part Number	Year	Description	Price	*Rev.
08986000	1986	CLIP KIT All, Instrument Gauge Cluster / Printed Circuit Board Retaining Clip Note: Replaces Original GM Part Number 08986000, Includes 12 Clips Per Kit.	\$14.00	N
08986000	1987	CLIP KIT All, Instrument Gauge Cluster / Printed Circuit Board Retaining Clip Note: Replaces Original GM Part Number 08986000, Includes 12 Clips Per Kit.	\$14.00	N
08986000	1988	CLIP KIT All, Instrument Gauge Cluster / Printed Circuit Board Retaining Clip Note: Replaces Original GM Part Number 08986000, Includes 12 Clips Per Kit.	\$14.00	N
08986000	1989	CLIP KIT All, Instrument Gauge Cluster / Printed Circuit Board Retaining Clip Note: Replaces Original GM Part Number 08986000, Includes 12 Clips Per Kit.	\$14.00	N
08986000	1990	CLIP KIT All, Instrument Gauge Cluster / Printed Circuit Board Retaining Clip Note: Replaces Original GM Part Number 08986000, Includes 12 Clips Per Kit.	\$14.00	N
INSTRUMENT GAUGE CLUSTER LENS				
00158368	1955	INSTRUMENT GAUGE CLUSTER LENS	\$58.00	N
00158368	1956	INSTRUMENT GAUGE CLUSTER LENS	\$58.00	N
00158368	1957	INSTRUMENT GAUGE CLUSTER LENS	\$58.00	N
00158368	1958	INSTRUMENT GAUGE CLUSTER LENS	\$58.00	N
00158368	1959	INSTRUMENT GAUGE CLUSTER LENS	\$58.00	N
05656305	1960	INSTRUMENT GAUGE CLUSTER LENS With Gauges	\$56.00	N
05656320	1960	INSTRUMENT GAUGE CLUSTER LENS With Warning Lights	\$56.00	N
05656305	1961	INSTRUMENT GAUGE CLUSTER LENS With Gauges	\$56.00	N
05656320	1961	INSTRUMENT GAUGE CLUSTER LENS With Warning Lights	\$56.00	N
05656305	1962	INSTRUMENT GAUGE CLUSTER LENS With Gauges	\$56.00	N
05656320	1962	INSTRUMENT GAUGE CLUSTER LENS With Warning Lights	\$56.00	N
05656305	1963	INSTRUMENT GAUGE CLUSTER LENS With Gauges	\$56.00	N
05656320	1963	INSTRUMENT GAUGE CLUSTER LENS With Warning Lights	\$56.00	N
06408208	1964	INSTRUMENT GAUGE CLUSTER LENS With Gauges	\$39.00	N
06408516	1964	INSTRUMENT GAUGE CLUSTER LENS With Warning Lights	\$39.00	N
06408208	1965	INSTRUMENT GAUGE CLUSTER LENS With Gauges	\$39.00	N
06408516	1965	INSTRUMENT GAUGE CLUSTER LENS With Warning Lights	\$39.00	N
06408208	1966	INSTRUMENT GAUGE CLUSTER LENS With Gauges	\$39.00	N
06408516	1966	INSTRUMENT GAUGE CLUSTER LENS With Warning Lights	\$39.00	N
06458266	1967	INSTRUMENT GAUGE CLUSTER LENS With Gauges & Tachometer, Without Vacuum Gauge	\$44.00	N
44274	1967	INSTRUMENT GAUGE CLUSTER LENS With Gauges, Tachometer & Vacuum Gauge	\$44.00	N
06458264	1967	INSTRUMENT GAUGE CLUSTER LENS With Gauges, Without Tachometer Or Vacuum Gauge	\$44.00	N
06430776	1967	INSTRUMENT GAUGE CLUSTER LENS With Warning Lights	\$40.00	N
06458266	1968	INSTRUMENT GAUGE CLUSTER LENS With Gauges & Tachometer, Without Vacuum Gauge	\$44.00	N
44274	1968	INSTRUMENT GAUGE CLUSTER LENS With Gauges, Tachometer & Vacuum Gauge	\$44.00	N
06458264	1968	INSTRUMENT GAUGE CLUSTER LENS With Gauges, Without Tachometer Or Vacuum Gauge	\$44.00	N
06430776	1968	INSTRUMENT GAUGE CLUSTER LENS With Warning Lights	\$40.00	N
06458266	1969	INSTRUMENT GAUGE CLUSTER LENS With Gauges & Tachometer, Without Vacuum Gauge	\$44.00	N
44274	1969	INSTRUMENT GAUGE CLUSTER LENS With Gauges, Tachometer & Vacuum Gauge	\$44.00	N
06458264	1969	INSTRUMENT GAUGE CLUSTER LENS With Gauges, Without Tachometer Or Vacuum Gauge	\$44.00	N
06430776	1969	INSTRUMENT GAUGE CLUSTER LENS With Warning Lights	\$40.00	N
06458266	1970	INSTRUMENT GAUGE CLUSTER LENS With Gauges & Tachometer, Without Vacuum Gauge	\$44.00	N
44274	1970	INSTRUMENT GAUGE CLUSTER LENS With Gauges, Tachometer & Vacuum Gauge	\$44.00	N

Part Number	Year	Description	Price	*Rev.
06458264	1970	INSTRUMENT GAUGE CLUSTER LENS With Gauges, Without Tachometer Or Vacuum Gauge	\$44.00	N
06430776	1970	INSTRUMENT GAUGE CLUSTER LENS With Warning Lights	\$40.00	N
06458266	1971	INSTRUMENT GAUGE CLUSTER LENS With Gauges & Tachometer, Without Vacuum Gauge	\$44.00	N
44274	1971	INSTRUMENT GAUGE CLUSTER LENS With Gauges, Tachometer & Vacuum Gauge	\$44.00	N
06458264	1971	INSTRUMENT GAUGE CLUSTER LENS With Gauges, Without Tachometer Or Vacuum Gauge	\$44.00	N
06430776	1971	INSTRUMENT GAUGE CLUSTER LENS With Warning Lights	\$40.00	N
06458266	1972	INSTRUMENT GAUGE CLUSTER LENS With Gauges & Tachometer, Without Vacuum Gauge	\$44.00	N
44274	1972	INSTRUMENT GAUGE CLUSTER LENS With Gauges, Tachometer & Vacuum Gauge	\$44.00	N
06458264	1972	INSTRUMENT GAUGE CLUSTER LENS With Gauges, Without Tachometer Or Vacuum Gauge	\$44.00	N
06430776	1972	INSTRUMENT GAUGE CLUSTER LENS With Warning Lights	\$40.00	N
25017378	1973	INSTRUMENT GAUGE CLUSTER LENS With Gauges & Clock	\$50.00	N
06497473	1973	INSTRUMENT GAUGE CLUSTER LENS With Gauges, Without Clock	\$50.00	N
06497472	1973	INSTRUMENT GAUGE CLUSTER LENS With Warning Lights	\$47.00	N
25017378	1974	INSTRUMENT GAUGE CLUSTER LENS With Gauges & Clock	\$50.00	N
06497473	1974	INSTRUMENT GAUGE CLUSTER LENS With Gauges, Without Clock	\$50.00	N
06497472	1974	INSTRUMENT GAUGE CLUSTER LENS With Warning Lights	\$47.00	N
25017378	1975	INSTRUMENT GAUGE CLUSTER LENS With Gauges & Clock	\$50.00	N
06497473	1975	INSTRUMENT GAUGE CLUSTER LENS With Gauges, Without Clock	\$50.00	N
06497472	1975	INSTRUMENT GAUGE CLUSTER LENS With Warning Lights	\$47.00	N
25017378	1976	INSTRUMENT GAUGE CLUSTER LENS With Gauges & Clock	\$50.00	N
06497473	1976	INSTRUMENT GAUGE CLUSTER LENS With Gauges, Without Clock	\$50.00	N
06497472	1976	INSTRUMENT GAUGE CLUSTER LENS With Warning Lights	\$47.00	N
25017378	1977	INSTRUMENT GAUGE CLUSTER LENS With Gauges & Clock	\$50.00	N
06497473	1977	INSTRUMENT GAUGE CLUSTER LENS With Gauges, Without Clock	\$50.00	N
06497472	1977	INSTRUMENT GAUGE CLUSTER LENS With Warning Lights	\$47.00	N
25017378	1978	INSTRUMENT GAUGE CLUSTER LENS With Gauges & Clock	\$50.00	N
06497473	1978	INSTRUMENT GAUGE CLUSTER LENS With Gauges, Without Clock	\$50.00	N
06497472	1978	INSTRUMENT GAUGE CLUSTER LENS With Warning Lights	\$47.00	N
25017378	1979	INSTRUMENT GAUGE CLUSTER LENS With Gauges & Clock	\$50.00	N
06497473	1979	INSTRUMENT GAUGE CLUSTER LENS With Gauges, Without Clock	\$50.00	N
06497472	1979	INSTRUMENT GAUGE CLUSTER LENS With Warning Lights	\$47.00	N
25017378	1980	INSTRUMENT GAUGE CLUSTER LENS With Gauges & Clock	\$50.00	N
06497473	1980	INSTRUMENT GAUGE CLUSTER LENS With Gauges, Without Clock	\$50.00	N
06497472	1980	INSTRUMENT GAUGE CLUSTER LENS With Warning Lights	\$47.00	N
25044306	1981	INSTRUMENT GAUGE CLUSTER LENS With Gauges & Clock	\$50.00	N
06497473	1981	INSTRUMENT GAUGE CLUSTER LENS With Gauges, Without Clock	\$50.00	N
06497472	1981	INSTRUMENT GAUGE CLUSTER LENS With Warning Lights	\$47.00	N
25044306	1982	INSTRUMENT GAUGE CLUSTER LENS With Gauges & Clock	\$50.00	N
06497473	1982	INSTRUMENT GAUGE CLUSTER LENS With Gauges, Without Clock	\$50.00	N
06497472	1982	INSTRUMENT GAUGE CLUSTER LENS With Warning Lights	\$47.00	N
25044306	1983	INSTRUMENT GAUGE CLUSTER LENS With Gauges & Clock	\$50.00	N
06497473	1983	INSTRUMENT GAUGE CLUSTER LENS With Gauges, Without Clock	\$50.00	N
06497472	1983	INSTRUMENT GAUGE CLUSTER LENS With Warning Lights	\$47.00	N
25044306	1984	INSTRUMENT GAUGE CLUSTER LENS With Gauges & Clock	\$50.00	N
06497473	1984	INSTRUMENT GAUGE CLUSTER LENS With Gauges, Without Clock	\$50.00	N
06497472	1984	INSTRUMENT GAUGE CLUSTER LENS With Warning Lights	\$47.00	N
25044306	1985	INSTRUMENT GAUGE CLUSTER LENS With Gauges & Clock	\$50.00	N

Part Number	Year	Description	Price	*Rev.
06497473	1985	INSTRUMENT GAUGE CLUSTER LENS With Gauges, Without Clock	\$50.00	N
06497472	1985	INSTRUMENT GAUGE CLUSTER LENS With Warning Lights	\$47.00	N
25044306	1986	INSTRUMENT GAUGE CLUSTER LENS With Gauges & Clock	\$50.00	N
06497473	1986	INSTRUMENT GAUGE CLUSTER LENS With Gauges, Without Clock	\$50.00	N
06497472	1986	INSTRUMENT GAUGE CLUSTER LENS With Warning Lights	\$47.00	N
25044306	1987	INSTRUMENT GAUGE CLUSTER LENS With Gauges & Clock	\$50.00	N
06497473	1987	INSTRUMENT GAUGE CLUSTER LENS With Gauges, Without Clock	\$50.00	N
06497472	1987	INSTRUMENT GAUGE CLUSTER LENS With Warning Lights	\$47.00	N
INSTRUMENT GAUGE DASH BEZEL				
01500923	1947	INSTRUMENT GAUGE DASH BEZEL Chrome Note: 2 Required Per Vehicle.	\$12.00	N
01500923	1948	INSTRUMENT GAUGE DASH BEZEL Chrome Note: 2 Required Per Vehicle.	\$12.00	N
01500923	1949	INSTRUMENT GAUGE DASH BEZEL Chrome Note: 2 Required Per Vehicle.	\$12.00	N
01500923	1950	INSTRUMENT GAUGE DASH BEZEL Chrome Note: 2 Required Per Vehicle.	\$12.00	N
01500923	1951	INSTRUMENT GAUGE DASH BEZEL Chrome Note: 2 Required Per Vehicle.	\$12.00	N
01500923	1952	INSTRUMENT GAUGE DASH BEZEL Chrome Note: 2 Required Per Vehicle.	\$12.00	N
01500923	1953	INSTRUMENT GAUGE DASH BEZEL Chrome Note: 2 Required Per Vehicle.	\$12.00	N
01582659	1954	INSTRUMENT GAUGE DASH BEZEL Chrome, Chevrolet Truck Note: 2 Required Per Vehicle.	\$28.00	N
01582659	1955	INSTRUMENT GAUGE DASH BEZEL Chrome, 1st Series Chevrolet Truck Note: 2 Required Per Vehicle.	\$28.00	N
01583687	1955	INSTRUMENT GAUGE DASH BEZEL Chrome, Chevrolet Truck	\$53.00	N
01583687	1956	INSTRUMENT GAUGE DASH BEZEL Chrome, Chevrolet Truck	\$53.00	N
01583687	1957	INSTRUMENT GAUGE DASH BEZEL Chrome, Chevrolet Truck	\$53.00	N
01583687	1958	INSTRUMENT GAUGE DASH BEZEL Chrome, Chevrolet Truck	\$53.00	N
01583687	1959	INSTRUMENT GAUGE DASH BEZEL Chrome, Chevrolet Truck	\$53.00	N
06482927	1967	INSTRUMENT GAUGE DASH BEZEL With Gauges, Black With Chrome Trim	\$54.00	N
06482927	1968	INSTRUMENT GAUGE DASH BEZEL With Gauges, Black With Chrome Trim	\$54.00	N
06491404	1969	INSTRUMENT GAUGE DASH BEZEL With Gauges, Black With Chrome Trim	\$54.00	N
06491402	1969	INSTRUMENT GAUGE DASH BEZEL Without Gauges, Black With Chrome Trim	\$50.00	N
06491404	1970	INSTRUMENT GAUGE DASH BEZEL With Gauges, Black With Chrome Trim	\$54.00	N
06491402	1970	INSTRUMENT GAUGE DASH BEZEL Without Gauges, Black With Chrome Trim	\$50.00	N
06491404	1971	INSTRUMENT GAUGE DASH BEZEL With Gauges, Black With Chrome Trim	\$54.00	N
06491402	1971	INSTRUMENT GAUGE DASH BEZEL Without Gauges, Black With Chrome Trim	\$50.00	N
06491404	1972	INSTRUMENT GAUGE DASH BEZEL With Gauges, Black With Chrome Trim	\$54.00	N
06491402	1972	INSTRUMENT GAUGE DASH BEZEL Without Gauges, Black With Chrome Trim	\$50.00	N
KICKDOWN HARNESS				
20900	1967	KICKDOWN HARNESS TH400 Auto Trans, With Carb Mounted Kickdown Switch	\$43.00	
20900	1968	KICKDOWN HARNESS TH400 Auto Trans, With Carb Mounted Kickdown Switch	\$43.00	
20895	1969	KICKDOWN HARNESS TH400 Auto Trans, With Carb Mounted Kickdown Switch	\$48.00	

Part Number	Year	Description	Price	*Rev.
20890	1970	KICKDOWN HARNESS TH400 Auto Trans, With Carb Mounted Kickdown Switch, Without T.C.S. Note: Kickdown Harness, TH400 With T.C.S., See Transmission Controlled Spark Harness.	\$94.00	
40039	1971	KICKDOWN HARNESS TH400 Auto Trans	\$52.00	
40040	1971	KICKDOWN EXTENSION HARNESS TH400 Auto Trans	\$33.00	
40039	1972	KICKDOWN HARNESS TH400 Auto Trans	\$52.00	
40040	1972	KICKDOWN EXTENSION HARNESS TH400 Auto Trans	\$33.00	
39722	1973	KICKDOWN HARNESS With 454 V/8 & TH400 Trans, Dash Side	\$67.00	M
39721	1973	KICKDOWN EXTENSION HARNESS With 454 V/8 & 400 Trans, Transmission Switch To Dash Kickdown Harness	\$41.00	M
39722	1974	KICKDOWN HARNESS With 454 V/8 & TH400 Trans, Dash Side	\$67.00	M
39721	1974	KICKDOWN EXTENSION HARNESS With 454 V/8 & TH400 Trans, Transmission Switch To Kickdown Harness	\$41.00	M
39786	1975	KICKDOWN HARNESS With 454 V/8 & TH400 Trans, Dash Side	\$67.00	M
39360	1975	KICKDOWN EXTENSION HARNESS With 454 V/8 & TH400 Trans, Transmission Switch To Kickdown Harness	\$41.00	M
39786	1976	KICKDOWN HARNESS With 454 V/8 & TH400 Trans, Dash Side	\$67.00	M
39360	1976	KICKDOWN EXTENSION HARNESS With 454 V/8 & TH400 Trans, Transmission Switch To Kickdown Harness	\$41.00	M
39786	1977	KICKDOWN HARNESS With 454 V/8 & TH400 Trans, Dash Side	\$67.00	M
39360	1977	KICKDOWN EXTENSION HARNESS With 454 V/8 & TH400 Trans, Transmission Switch To Kickdown Harness	\$41.00	M
39786	1978	KICKDOWN HARNESS With 454 V/8 & TH400 Trans, Dash Side	\$67.00	M
39360	1978	KICKDOWN EXTENSION HARNESS With 454 V/8 & TH400 Trans, Transmission Switch To Kickdown Harness	\$41.00	M
39359	1979	KICKDOWN HARNESS With 454 V/8 & TH400 Trans, Dash Side	\$67.00	M
39360	1979	KICKDOWN EXTENSION HARNESS With 454 V/8 & TH400 Trans, Transmission Switch To Kickdown Harness	\$41.00	M
39359	1980	KICKDOWN HARNESS With 454 V/8 & TH400 Trans, Dash Side	\$67.00	M
39360	1980	KICKDOWN EXTENSION HARNESS With 454 V/8 & TH400 Trans, Transmission Switch To Kickdown Harness	\$41.00	M
39359	1981	KICKDOWN HARNESS With 454 V/8 & TH400 Trans, Dash Side	\$67.00	M
39360	1981	KICKDOWN EXTENSION HARNESS With 454 V/8 & TH400 Trans, Transmission Switch To Kickdown Harness	\$41.00	M
39359	1982	KICKDOWN HARNESS With 454 V/8 & TH400 Trans, Dash Side	\$67.00	M
39360	1982	KICKDOWN EXTENSION HARNESS With 454 V/8 & TH400 Trans, Transmission Switch To Kickdown Harness	\$41.00	M
KICKDOWN SWITCH				
01242101	1971	KICKDOWN SWITCH M40 Auto Trans	\$19.00	
01242101	1972	KICKDOWN SWITCH M40 Auto Trans	\$19.00	
01242101	1973	KICKDOWN SWITCH M40 Auto Trans	\$19.00	
01242101	1974	KICKDOWN SWITCH M40 Auto Trans	\$19.00	
01242101	1975	KICKDOWN SWITCH M40 Auto Trans	\$19.00	
01242101	1976	KICKDOWN SWITCH M40 Auto Trans	\$19.00	
01242101	1977	KICKDOWN SWITCH M40 Auto Trans	\$19.00	
01242101	1978	KICKDOWN SWITCH M40 Auto Trans	\$19.00	
01242101	1979	KICKDOWN SWITCH M40 Auto Trans	\$19.00	
01242101	1980	KICKDOWN SWITCH M40 Auto Trans	\$19.00	
01242101	1981	KICKDOWN SWITCH M40 Auto Trans	\$19.00	
01242101	1982	KICKDOWN SWITCH M40 Auto Trans	\$19.00	

Part Number	Year	Description	Price	*Rev.
01242101	1983	KICKDOWN SWITCH M40 Auto Trans	\$19.00	
01242101	1984	KICKDOWN SWITCH M40 Auto Trans	\$19.00	
01242101	1985	KICKDOWN SWITCH M40 Auto Trans	\$19.00	
01242101	1986	KICKDOWN SWITCH M40 Auto Trans	\$19.00	
01242101	1987	KICKDOWN SWITCH M40 Auto Trans Note: Used On R & V Models, Square Body Style.	\$19.00	
01242101	1988	KICKDOWN SWITCH M40 Auto Trans Note: Used On R & V Models, Square Body Style.	\$19.00	
01242101	1989	KICKDOWN SWITCH M40 Auto Trans Note: Used On R & V Models, Square Body Style.	\$19.00	
LICENSE LAMP HARNESS				
39725	1973	LICENSE LAMP HARNESS All Trucks, With Painted Step Bumper & Dual License Lamps	\$48.00	M
39725	1974	LICENSE LAMP HARNESS All Trucks, With Painted Step Bumper & Dual License Lamps	\$48.00	M
39725	1975	LICENSE LAMP HARNESS All Trucks, With Painted Step Bumper & Dual License Lamps	\$48.00	M
39725	1976	LICENSE LAMP HARNESS All Trucks With Painted Step Bumper & Dual License Lamps	\$48.00	M
39725	1977	LICENSE LAMP HARNESS All Trucks With Painted Step Bumper & Dual License Lamps	\$48.00	M
39872	1978	LICENSE LAMP HARNESS All Trucks With Painted Step Bumper & Dual License Lamps	\$48.00	M
39872	1979	LICENSE LAMP HARNESS All Trucks With Painted Step Bumper & Dual License Lamps	\$48.00	M
39912	1980	LICENSE LAMP HARNESS All Trucks, With Painted Step Bumper & Dual License Lamps	\$67.00	M
39912	1981	LICENSE LAMP HARNESS All Trucks, With Painted Step Bumper & Dual License Lamps	\$67.00	M
39912	1982	LICENSE LAMP HARNESS All Trucks, With Painted Step Bumper & Dual License Lamps	\$67.00	M
LICENSE LAMP WIRE				
39814	1975	LICENSE LAMP WIRE All, 3/4 & 1-Ton, With Rear Mounted Gas Tank, Without Pickup Bed	\$21.00	M
39814	1976	LICENSE LAMP WIRE All, 3/4 & 1-Ton, With Rear Mounted Gas Tank, Without Pickup Bed	\$21.00	M
39814	1977	LICENSE LAMP WIRE All, 3/4 & 1-Ton, With Rear Mounted Gas Tank, Without Pickup Bed	\$21.00	M
LICENSE PLATE LAMP LEAD WIRE				
38068	1960	LICENSE PLATE LAMP LEAD WIRE Panel & Suburban With Panel Type Rear Doors, From License Lamp To Rear Body Harness (Includes Original Style Door Jamb	\$20.00	
38068	1961	LICENSE PLATE LAMP LEAD WIRE Panel Or Suburban With Panel Type Rear Doors, From License Lamp To Rear Body Harness (Includes Original Style Door Jamb	\$20.00	
38068	1962	LICENSE PLATE LAMP LEAD WIRE Panel & Suburban With Panel Type Rear Doors, From License Lamp To Rear Body Harness (Includes Original Style Door Jamb	\$20.00	
38068	1963	LICENSE PLATE LAMP LEAD WIRE Panel & Suburban With Panel Type Rear Doors, From License Lamp To Rear Body Harness (Includes Original Style Door Jamb	\$20.00	
LOW FUEL INDICATOR MODULE				
500274	1947	LOW FUEL INDICATOR MODULE Generic "Adjustable" Low Fuel Warning Module Note: A Complete Electronic Control Unit To Activate A Warning Lamp Or Relay When Fuel Level Drops Below A User Adjustable Level. Includes instruction sheet.	\$64.00	C
500274	1948	LOW FUEL INDICATOR MODULE Generic "Adjustable" Low Fuel Warning Module Note: A Complete Electronic Control Unit To Activate A Warning Lamp Or Relay When Fuel Level Drops Below A User Adjustable Level. Includes instruction sheet.	\$64.00	C
500274	1949	LOW FUEL INDICATOR MODULE Generic "Adjustable" Low Fuel Warning Module Note: A Complete Electronic Control Unit To Activate A Warning Lamp Or Relay When Fuel Level Drops Below A User Adjustable Level. Includes instruction sheet.	\$64.00	C
500274	1950	LOW FUEL INDICATOR MODULE Generic "Adjustable" Low Fuel Warning Module Note: A Complete Electronic Control Unit To Activate A Warning Lamp Or Relay When Fuel Level Drops Below A User Adjustable Level. Includes instruction sheet.	\$64.00	C

Part Number	Year	Description	Price	*Rev.
500274	1951	LOW FUEL INDICATOR MODULE Generic "Adjustable" Low Fuel Warning Module Note: A Complete Electronic Control Unit To Activate A Warning Lamp Or Relay When Fuel Level Drops Below A User Adjustable Level. Includes instruction sheet.	\$64.00	C
500274	1952	LOW FUEL INDICATOR MODULE Generic "Adjustable" Low Fuel Warning Module Note: A Complete Electronic Control Unit To Activate A Warning Lamp Or Relay When Fuel Level Drops Below A User Adjustable Level. Includes instruction sheet.	\$64.00	C
500274	1953	LOW FUEL INDICATOR MODULE Generic "Adjustable" Low Fuel Warning Module Note: A Complete Electronic Control Unit To Activate A Warning Lamp Or Relay When Fuel Level Drops Below A User Adjustable Level. Includes instruction sheet.	\$64.00	C
500274	1954	LOW FUEL INDICATOR MODULE Generic "Adjustable" Low Fuel Warning Module Note: A Complete Electronic Control Unit To Activate A Warning Lamp Or Relay When Fuel Level Drops Below A User Adjustable Level. Includes instruction sheet.	\$64.00	C
500274	1955	LOW FUEL INDICATOR MODULE Generic "Adjustable" Low Fuel Warning Module Note: A Complete Electronic Control Unit To Activate A Warning Lamp Or Relay When Fuel Level Drops Below A User Adjustable Level. Includes instruction sheet.	\$64.00	C
500274	1956	LOW FUEL INDICATOR MODULE Generic "Adjustable" Low Fuel Warning Module Note: A Complete Electronic Control Unit To Activate A Warning Lamp Or Relay When Fuel Level Drops Below A User Adjustable Level. Includes instruction sheet.	\$64.00	C
500274	1957	LOW FUEL INDICATOR MODULE Generic "Adjustable" Low Fuel Warning Module Note: A Complete Electronic Control Unit To Activate A Warning Lamp Or Relay When Fuel Level Drops Below A User Adjustable Level. Includes instruction sheet.	\$64.00	C
500274	1958	LOW FUEL INDICATOR MODULE Generic "Adjustable" Low Fuel Warning Module Note: A Complete Electronic Control Unit To Activate A Warning Lamp Or Relay When Fuel Level Drops Below A User Adjustable Level. Includes instruction sheet.	\$64.00	C
500274	1959	LOW FUEL INDICATOR MODULE Generic "Adjustable" Low Fuel Warning Module Note: A Complete Electronic Control Unit To Activate A Warning Lamp Or Relay When Fuel Level Drops Below A User Adjustable Level. Includes instruction sheet.	\$64.00	C
500274	1960	LOW FUEL INDICATOR MODULE Generic "Adjustable" Low Fuel Warning Module Note: A Complete Electronic Control Unit To Activate A Warning Lamp Or Relay When Fuel Level Drops Below A User Adjustable Level. Includes instruction sheet.	\$64.00	C
500274	1961	LOW FUEL INDICATOR MODULE Generic "Adjustable" Low Fuel Warning Module Note: A Complete Electronic Control Unit To Activate A Warning Lamp Or Relay When Fuel Level Drops Below A User Adjustable Level. Includes instruction sheet.	\$64.00	C
500274	1962	LOW FUEL INDICATOR MODULE Generic "Adjustable" Low Fuel Warning Module Note: A Complete Electronic Control Unit To Activate A Warning Lamp Or Relay When Fuel Level Drops Below A User Adjustable Level. Includes instruction sheet.	\$64.00	C
500274	1963	LOW FUEL INDICATOR MODULE Generic "Adjustable" Low Fuel Warning Module Note: A Complete Electronic Control Unit To Activate A Warning Lamp Or Relay When Fuel Level Drops Below A User Adjustable Level. Includes instruction sheet.	\$64.00	C
500274	1964	LOW FUEL INDICATOR MODULE Generic "Adjustable" Low Fuel Warning Module Note: A Complete Electronic Control Unit To Activate A Warning Lamp Or Relay When Fuel Level Drops Below A User Adjustable Level. Includes instruction sheet.	\$64.00	C
500274	1965	LOW FUEL INDICATOR MODULE Generic "Adjustable" Low Fuel Warning Module Note: A Complete Electronic Control Unit To Activate A Warning Lamp Or Relay When Fuel Level Drops Below A User Adjustable Level. Includes instruction sheet.	\$64.00	C
500274	1966	LOW FUEL INDICATOR MODULE Generic "Adjustable" Low Fuel Warning Module Note: A Complete Electronic Control Unit To Activate A Warning Lamp Or Relay When Fuel Level Drops Below A User Adjustable Level. Includes instruction sheet.	\$64.00	C
500274	1967	LOW FUEL INDICATOR MODULE Generic "Adjustable" Low Fuel Warning Module Note: A Complete Electronic Control Unit To Activate A Warning Lamp Or Relay When Fuel Level Drops Below A User Adjustable Level. Includes instruction sheet.	\$64.00	C

Part Number	Year	Description	Price	*Rev.
500274	1968	LOW FUEL INDICATOR MODULE Generic "Adjustable" Low Fuel Warning Module Note: A Complete Electronic Control Unit To Activate A Warning Lamp Or Relay When Fuel Level Drops Below A User Adjustable Level. Includes instruction sheet.	\$64.00	C
500274	1969	LOW FUEL INDICATOR MODULE Generic "Adjustable" Low Fuel Warning Module Note: A Complete Electronic Control Unit To Activate A Warning Lamp Or Relay When Fuel Level Drops Below A User Adjustable Level. Includes instruction sheet.	\$64.00	C
500274	1970	LOW FUEL INDICATOR MODULE Generic "Adjustable" Low Fuel Warning Module Note: A Complete Electronic Control Unit To Activate A Warning Lamp Or Relay When Fuel Level Drops Below A User Adjustable Level. Includes instruction sheet.	\$64.00	C
500274	1971	LOW FUEL INDICATOR MODULE Generic "Adjustable" Low Fuel Warning Module Note: A Complete Electronic Control Unit To Activate A Warning Lamp Or Relay When Fuel Level Drops Below A User Adjustable Level. Includes instruction sheet.	\$64.00	C
500274	1972	LOW FUEL INDICATOR MODULE Generic "Adjustable" Low Fuel Warning Module Note: A Complete Electronic Control Unit To Activate A Warning Lamp Or Relay When Fuel Level Drops Below A User Adjustable Level. Includes instruction sheet.	\$64.00	C

MARKER LAMP HARNESS

39723	1973	MARKER LAMP HARNESS All Trucks, With Roof Mounted Cab Lights	\$106.00	M
39723	1974	MARKER LAMP HARNESS All Trucks, With Roof Mounted Cab Lights	\$106.00	M
39723	1975	MARKER LAMP HARNESS All Trucks, With Roof Mounted Cab Lights	\$106.00	M
39723	1976	MARKER LAMP HARNESS All Trucks, With Roof Mounted Cab Lights	\$106.00	M
39723	1977	MARKER LAMP HARNESS All Trucks, With Roof Mounted Cab Lights	\$106.00	M
39723	1978	MARKER LAMP HARNESS All Trucks, With Roof Mounted Cab Lights	\$106.00	M
39723	1979	MARKER LAMP HARNESS All Trucks, With Roof Mounted Cab Lights	\$106.00	M
39723	1980	MARKER LAMP HARNESS All Trucks, With Roof Mounted Cab Lights	\$106.00	M
39723	1981	MARKER LAMP HARNESS All Trucks, With Roof Mounted Cab Lights	\$106.00	M
39723	1982	MARKER LAMP HARNESS All Trucks, With Roof Mounted Cab Lights	\$106.00	M

NEUTRAL SAFETY AND BACKUP LAMP SWITCH

01993659	1960	NEUTRAL SAFETY AND BACKUP LAMP SWITCH With Column Shift Powerglide Auto Trans	\$12.00	
01993320	1960	NEUTRAL SAFETY AND BACKUP LAMP SWITCH With Column Shift TH350-400 Auto Trans	\$12.00	
01993659	1961	NEUTRAL SAFETY AND BACKUP LAMP SWITCH With Column Shift Powerglide Auto Trans	\$12.00	
01993320	1961	NEUTRAL SAFETY AND BACKUP LAMP SWITCH With Column Shift TH350-400 Auto Trans	\$12.00	
01993659	1962	NEUTRAL SAFETY AND BACKUP LAMP SWITCH With Column Shift Powerglide Auto Trans	\$12.00	
01993320	1962	NEUTRAL SAFETY AND BACKUP LAMP SWITCH With Column Shift TH350-400 Auto Trans	\$12.00	
01993659	1963	NEUTRAL SAFETY AND BACKUP LAMP SWITCH With Column Shift Powerglide Auto Trans	\$12.00	
01993320	1963	NEUTRAL SAFETY AND BACKUP LAMP SWITCH With Column Shift TH350-400 Auto Trans	\$12.00	
01993659	1964	NEUTRAL SAFETY AND BACKUP LAMP SWITCH With Column Shift Powerglide Auto Trans	\$12.00	
01993320	1964	NEUTRAL SAFETY AND BACKUP LAMP SWITCH With Column Shift TH350-400 Auto Trans	\$12.00	
01993659	1965	NEUTRAL SAFETY AND BACKUP LAMP SWITCH With Column Shift Powerglide Auto Trans	\$12.00	
01993320	1965	NEUTRAL SAFETY AND BACKUP LAMP SWITCH With Column Shift TH350-400 Auto Trans	\$12.00	
01993659	1966	NEUTRAL SAFETY AND BACKUP LAMP SWITCH With Column Shift Powerglide Auto Trans	\$12.00	
01993320	1966	NEUTRAL SAFETY AND BACKUP LAMP SWITCH With Column Shift TH350-400 Auto Trans	\$12.00	
01993659	1967	NEUTRAL SAFETY AND BACKUP LAMP SWITCH With Column Shift Powerglide Auto Trans	\$12.00	
01993320	1967	NEUTRAL SAFETY AND BACKUP LAMP SWITCH With Column Shift TH350-400 Auto Trans	\$12.00	
01993659	1968	NEUTRAL SAFETY AND BACKUP LAMP SWITCH With Column Shift Powerglide Auto Trans	\$12.00	
01993320	1968	NEUTRAL SAFETY AND BACKUP LAMP SWITCH With Column Shift TH350-400 Auto Trans	\$12.00	
01993659	1969	NEUTRAL SAFETY AND BACKUP LAMP SWITCH With Column Shift Powerglide Auto Trans	\$12.00	
01993320	1969	NEUTRAL SAFETY AND BACKUP LAMP SWITCH With Column Shift TH350-400 Auto Trans	\$12.00	
01993659	1970	NEUTRAL SAFETY AND BACKUP LAMP SWITCH With Column Shift Powerglide Auto Trans	\$12.00	

Part Number	Year	Description	Price	*Rev.
01993320	1970	NEUTRAL SAFETY AND BACKUP LAMP SWITCH With Column Shift TH350-400 Auto Trans	\$12.00	
01993659	1971	NEUTRAL SAFETY AND BACKUP LAMP SWITCH With Column Shift Powerglide Auto Trans	\$12.00	
01993320	1971	NEUTRAL SAFETY AND BACKUP LAMP SWITCH With Column Shift TH350-400 Auto Trans	\$12.00	
01993659	1972	NEUTRAL SAFETY AND BACKUP LAMP SWITCH With Column Shift Powerglide Auto Trans	\$12.00	
01993320	1972	NEUTRAL SAFETY AND BACKUP LAMP SWITCH With Column Shift TH350-400 Auto Trans	\$12.00	
01994235	1973	NEUTRAL SAFETY AND BACKUP LAMP SWITCH With Column Shift TH350-400 Auto Trans	\$19.00	M
01994235	1974	NEUTRAL SAFETY AND BACKUP LAMP SWITCH With Column Shift TH350-400 Auto Trans	\$19.00	M
01994235	1975	NEUTRAL SAFETY AND BACKUP LAMP SWITCH With Column Shift TH350-400 Auto Trans	\$19.00	M
01994163	1976	NEUTRAL SAFETY AND BACKUP LAMP SWITCH With Auto Trans, All	\$19.00	M
01994163	1977	NEUTRAL SAFETY AND BACKUP LAMP SWITCH With Auto Trans, All	\$19.00	M
01994163	1978	NEUTRAL SAFETY AND BACKUP LAMP SWITCH With Auto Trans, All	\$19.00	M
01994163	1979	NEUTRAL SAFETY AND BACKUP LAMP SWITCH With Auto Trans, All	\$19.00	M
01994163	1980	NEUTRAL SAFETY AND BACKUP LAMP SWITCH With Auto Trans, All	\$19.00	M
OIL PRESSURE GAUGE				
01507088	1947	OIL PRESSURE GAUGE 0-30 Lbs., Red Needle	\$74.00	N
44226	1947	OIL PRESSURE GAUGE 0-60 Lbs., Red Needle Note: GM Did Not Sell This Gauge Originally, This Gauge Has A Range From 0-60 Lbs, But Still Maintains The Original Appearance.	\$74.00	N
01507088	1948	OIL PRESSURE GAUGE 0-30 Lbs., Red Needle	\$74.00	N
44226	1948	OIL PRESSURE GAUGE 0-60 Lbs., Red Needle Note: GM Did Not Sell This Gauge Originally, This Gauge Has A Range From 0-60 Lbs, But Still Maintains The Original Appearance.	\$74.00	N
01507401	1949	OIL PRESSURE GAUGE 0-30 Lbs, White Needle	\$74.00	N
01507963	1949	OIL PRESSURE GAUGE 0-60 Lbs, White Needle	\$74.00	N
01507401	1950	OIL PRESSURE GAUGE 0-30 Lbs, White Needle	\$74.00	N
01507963	1950	OIL PRESSURE GAUGE 0-60 Lbs, White Needle	\$74.00	N
01507401	1951	OIL PRESSURE GAUGE 0-30 Lbs, White Needle	\$74.00	N
01507963	1951	OIL PRESSURE GAUGE 0-60 Lbs, White Needle	\$74.00	N
01507401	1952	OIL PRESSURE GAUGE 0-30 Lbs, White Needle	\$74.00	N
01507963	1952	OIL PRESSURE GAUGE 0-60 Lbs, White Needle	\$74.00	N
01507401	1953	OIL PRESSURE GAUGE 0-30 Lbs, White Needle	\$74.00	N
01507963	1953	OIL PRESSURE GAUGE 0-60 Lbs, White Needle	\$74.00	N
01508014	1954	OIL GAUGE	\$74.00	N
01508014	1955	OIL GAUGE 1st Series	\$74.00	N
01508246	1955	OIL GAUGE	\$85.00	N
01508246	1956	OIL GAUGE	\$85.00	N
01508246	1957	OIL GAUGE	\$85.00	N
01508246	1958	OIL GAUGE	\$85.00	N
01508246	1959	OIL GAUGE	\$85.00	N
01509021	1960	OIL GAUGE	\$74.00	N
01509021	1961	OIL GAUGE	\$74.00	N
01509021	1962	OIL GAUGE	\$74.00	N
01509021	1963	OIL GAUGE	\$74.00	N
01582460	1964	OIL GAUGE	\$74.00	N
01582460	1965	OIL GAUGE	\$74.00	N
01582460	1966	OIL GAUGE	\$74.00	N
06460746	1967	OIL PRESSURE GAUGE 0-60 Lbs.	\$70.00	N

Part Number	Year	Description	Price	*Rev.
44221	1967	OIL PRESSURE GAUGE With 0-60 Lbs. Numeric Face Plate Note: This Is A Replacement For OEM Gauge 06460746 (With Low & High Graduations) In Trucks With Factory Gauge Type Clusters.	\$54.00	N
06460746	1968	OIL PRESSURE GAUGE 0-60 Lbs.	\$70.00	N
44221	1968	OIL PRESSURE GAUGE With 0-60 Lbs. Numeric Face Plate Note: This Is A Replacement For OEM Gauge 06460746 (With Low & High Graduations) In Trucks With Factory Gauge Type Clusters.	\$54.00	N
06460746	1969	OIL PRESSURE GAUGE 0-60 Lbs.	\$70.00	N
44221	1969	OIL PRESSURE GAUGE With 0-60 Lbs. Numeric Face Plate Note: This Is A Replacement For OEM Gauge 06460746 (With Low & High Graduations) In Trucks With Factory Gauge Type Clusters.	\$54.00	N
06460746	1970	OIL PRESSURE GAUGE 0-60 Lbs.	\$70.00	N
44221	1970	OIL PRESSURE GAUGE With 0-60 Lbs. Numeric Face Plate Note: This Is A Replacement For OEM Gauge 06460746 (With Low & High Graduations) In Trucks With Factory Gauge Type Clusters.	\$54.00	N
06460746	1971	OIL PRESSURE GAUGE 0-60 Lbs.	\$70.00	N
44221	1971	OIL PRESSURE GAUGE With 0-60 Lbs. Numeric Face Plate Note: This Is A Replacement For OEM Gauge 06460746 (With Low & High Graduations) In Trucks With Factory Gauge Type Clusters.	\$54.00	N
06460746	1972	OIL PRESSURE GAUGE 0-60 Lbs.	\$70.00	N
44221	1972	OIL PRESSURE GAUGE With 0-60 Lbs. Numeric Face Plate Note: This Is A Replacement For OEM Gauge 06460746 (With Low & High Graduations) In Trucks With Factory Gauge Type Clusters.	\$54.00	N
06463341	1973	OIL PRESSURE GAUGE Fire Orange Needle, Mechanical Type	\$54.00	N
06463341	1974	OIL PRESSURE GAUGE Fire Orange Needle, Mechanical Type	\$54.00	N
06463341	1975	OIL PRESSURE GAUGE Fire Orange Needle, Mechanical Type	\$54.00	N
06463341	1976	OIL PRESSURE GAUGE Fire Orange Needle, Mechanical Type	\$54.00	N
06463341	1977	OIL PRESSURE GAUGE Fire Orange Needle, Mechanical Type	\$54.00	N
25025164	1978	OIL PRESSURE GAUGE Fire Orange Needle, Electric Type	\$54.00	N
25025164	1979	OIL PRESSURE GAUGE 1st Design, Fire Orange Needle, Electric Type	\$54.00	N
25025563	1979	OIL PRESSURE GAUGE 2nd Design, Light Orange Needle, Electric Type	\$54.00	N
25025563	1980	OIL PRESSURE GAUGE Light Orange Needle, Electric Type	\$54.00	N
25025563	1981	OIL PRESSURE GAUGE Light Orange Needle, Electric Type	\$54.00	N
25025563	1982	OIL PRESSURE GAUGE Light Orange Needle, Electric Type	\$54.00	N
25025563	1983	OIL PRESSURE GAUGE Light Orange Needle, Electric Type	\$54.00	N
25025563	1984	OIL PRESSURE GAUGE Light Orange Needle, Electric Type	\$54.00	N
25025563	1985	OIL PRESSURE GAUGE Light Orange Needle, Electric Type	\$54.00	N
25025563	1986	OIL PRESSURE GAUGE Light Orange Needle, Electric Type	\$54.00	N
25025563	1987	OIL PRESSURE GAUGE Light Orange Needle, Electric Type	\$54.00	N
OVERDRIVE HARNESS				
02280	1955	OVERDRIVE HARNESS V/8	\$132.00	
02280	1956	OVERDRIVE HARNESS V/8	\$132.00	
02545	1957	OVERDRIVE HARNESS V/8	\$132.00	
POWER ACCESSORY FEED WIRE				
20560	1973	POWER ACCESSORY FEED WIRE Suburban, Blazer & Jimmy, Junction Block To Circuit Breaker, Power Tailgate Window	\$27.00	M
20560	1974	POWER ACCESSORY FEED WIRE Suburban, Blazer & Jimmy, Junction Block To Circuit Breaker, Power Tailgate Window	\$27.00	M

Part Number	Year	Description	Price	*Rev.
39787	1975	POWER ACCESSORY FEED WIRE Suburban, Blazer & Jimmy, Junction Block To Circuit Breaker, Power Tailgate Window	\$27.00	M
39787	1976	POWER ACCESSORY FEED WIRE Suburban, Blazer & Jimmy, Junction Block To Circuit Breaker, Power Tailgate Window	\$27.00	M
39736	1977	POWER ACCESSORY FEED WIRE 2 Door Models, Junction Block To Power Window Circuit Breaker	\$27.00	M
39832	1977	POWER ACCESSORY FEED WIRE Suburban, Blazer & Jimmy, Junction Block To Circuit Breaker, Power Tailgate Window	\$34.00	M
39736	1978	POWER ACCESSORY FEED WIRE 2 Door Models, Junction Block To Power Window Circuit Breaker	\$27.00	M
39832	1978	POWER ACCESSORY FEED WIRE Suburban, Blazer & Jimmy, Junction Block To Circuit Breaker, Power Tailgate Window	\$34.00	M
40023	1979	POWER ACCESSORY FEED WIRE Fuse Box To Power Window Or Power Tailgate Window	\$27.00	M
40023	1980	POWER ACCESSORY FEED WIRE Fuse Box To Power Window Or Power Tailgate Window	\$27.00	M
40023	1981	POWER ACCESSORY FEED WIRE Fuse Box To Power Window Or Power Tailgate Window	\$27.00	M
POWER DOOR LOCK HARNESS				
39845	1977	POWER DOOR LOCK HARNESS 2 Door Models, Body Crossover, With Power Door Locks, Except Power Windows	\$272.00	M
39848	1977	POWER DOOR LOCK HARNESS 2 Door Models, Driver Side Or Passenger Side Door, With Power Door Locks, Except Power Windows	\$210.00	
39845	1978	POWER DOOR LOCK HARNESS 2 Door Models, Body Crossover, With Power Door Locks, Except Power Windows	\$272.00	M
39851	1978	POWER DOOR LOCK HARNESS 2 Door Models, Driver Side Or Passenger Side Door, With Power Door Locks, Except Power Windows	\$210.00	
39897	1979	POWER DOOR LOCK HARNESS 2 Door Models, Body Crossover, With Power Door Locks, Except Power Windows	\$272.00	M
39899	1979	POWER DOOR LOCK HARNESS 2 Door Models, Driver Side Or Passenger Side Door, With Power Door Locks, Except Power Windows	\$210.00	
39897	1980	POWER DOOR LOCK HARNESS 2 Door Models, Body Crossover, With Power Door Locks, Except Power Windows	\$272.00	M
39892	1980	POWER DOOR LOCK HARNESS 4 Door Models, Body Crossover, With Power Door Locks, Except Power Windows	\$272.00	M
39893	1980	POWER DOOR LOCK HARNESS 4 Door Models, Driver Side Or Passenger Side Rear Door, With Power Door Locks, Except Power Windows Note: Customer Must Reuse Their Original Rubber Door Jamb Boot.	\$75.00	
39899	1980	POWER DOOR LOCK HARNESS All Models, Driver Side Or Passenger Side Front Door, With Power Door Locks, Except Power Windows	\$210.00	
39951	1981	POWER DOOR LOCK HARNESS 2 Door Models, Body Crossover, With Power Door Locks, Except Power Windows	\$272.00	M
39949	1981	POWER DOOR LOCK HARNESS 4 Door Models, Body Crossover, With Power Door Locks, Except Power Windows	\$272.00	M
39893	1981	POWER DOOR LOCK HARNESS 4 Door Models, Driver Side Or Passenger Side Rear Door, With Power Door Locks, Except Power Windows Note: Customer Must Reuse Their Original Rubber Door Jamb Boot.	\$75.00	
39899	1981	POWER DOOR LOCK HARNESS All Models, Driver Side Or Passenger Side Front Door, With Power Door Locks, Except Power Windows	\$210.00	
39951	1982	POWER DOOR LOCK HARNESS 2 Door Models, Body Crossover, With Power Door Locks, Except Power Windows	\$272.00	M
39949	1982	POWER DOOR LOCK HARNESS 4 Door Models, Body Crossover, With Power Door Locks, Except Power Windows	\$272.00	M
39893	1982	POWER DOOR LOCK HARNESS 4 Door Models, Driver Side Or Passenger Side Rear Door, With Power Door Locks, Except Power Windows Note: Customer Must Reuse Their Original Rubber Door Jamb Boot.	\$75.00	
39899	1982	POWER DOOR LOCK HARNESS All Models, Driver Side Or Passenger Side Front Door, With Power Door Locks, Except Power Windows	\$210.00	

Part Number	Year	Description	Price	*Rev.
39951	1983	POWER DOOR LOCK HARNESS 2 Door Models, Body Crossover, With Power Door Locks, Except Power Windows	\$272.00	M
39949	1983	POWER DOOR LOCK HARNESS 4 Door Models, Body Crossover, With Power Door Locks, Except Power Windows	\$272.00	M
39893	1983	POWER DOOR LOCK HARNESS 4 Door Models, Driver Side Or Passenger Side Rear Door, With Power Door Locks, Except Power Windows Note: Customer Must Reuse Their Original Rubber Door Jamb Boot.	\$75.00	
39893	1983	POWER DOOR LOCK HARNESS 4 Door Models, Driver Side Or Passenger Side Rear Door, With Power Door Locks, Except Power Windows Note: Customer Must Reuse Their Original Rubber Door Jamb Boot.	\$75.00	
39899	1983	POWER DOOR LOCK HARNESS All Models, Driver Side Or Passenger Side Front Door, With Power Door Locks, Except Power Windows	\$210.00	
39951	1984	POWER DOOR LOCK HARNESS 2 Door Models, Body Crossover, With Power Door Locks, Except Power Windows	\$272.00	M
39949	1984	POWER DOOR LOCK HARNESS 4 Door Models, Body Crossover, With Power Door Locks, Except Power Windows	\$272.00	M
39893	1984	POWER DOOR LOCK HARNESS 4 Door Models, Driver Side Or Passenger Side Rear Door, With Power Door Locks, Except Power Windows Note: Customer Must Reuse Their Original Rubber Door Jamb Boot.	\$75.00	
39899	1984	POWER DOOR LOCK HARNESS All Models, Driver Side Or Passenger Side Front Door, With Power Door Locks, Except Power Windows	\$210.00	
44176	1985	POWER DOOR LOCK HARNESS 2 Door Models, Body Crossover, With Power Door Locks, Except Power Windows	\$272.00	M
44177	1985	POWER DOOR LOCK HARNESS 4 Door Models, Body Crossover, With Power Door Locks, Except Power Windows	\$272.00	M
39893	1985	POWER DOOR LOCK HARNESS 4 Door Models, Driver Side Or Passenger Side Rear Door, With Power Door Locks, Except Power Windows Note: Customer Must Reuse Their Original Rubber Door Jamb Boot.	\$75.00	
39899	1985	POWER DOOR LOCK HARNESS All Models, Driver Side Or Passenger Side Front Door, With Power Door Locks, Except Power Windows	\$210.00	
44176	1986	POWER DOOR LOCK HARNESS 2 Door Models, Body Crossover, With Power Door Locks, Except Power Windows	\$272.00	M
44177	1986	POWER DOOR LOCK HARNESS 4 Door Models, Body Crossover, With Power Door Locks, Except Power Windows	\$272.00	M
39893	1986	POWER DOOR LOCK HARNESS 4 Door Models, Driver Side Or Passenger Side Rear Door, With Power Door Locks, Except Power Windows Note: Customer Must Reuse Their Original Rubber Door Jamb Boot.	\$75.00	
39899	1986	POWER DOOR LOCK HARNESS All Models, Driver Side Or Passenger Side Front Door, With Power Door Locks, Except Power Windows	\$210.00	
44183	1987	POWER DOOR LOCK HARNESS 2 Door Models, Body Crossover, With Power Door Locks, Except Power Windows	\$272.00	M
44185	1987	POWER DOOR LOCK HARNESS 4 Door Models, Body Crossover, With Power Door Locks, Except Power Windows	\$272.00	M
44186	1987	POWER DOOR LOCK HARNESS 4 Door Models, Driver Side Or Passenger Side Rear Door, With Power Door Locks, Except Power Windows Note: Customer Must Reuse Their Original Rubber Door Jamb Boot.	\$75.00	
44184	1987	POWER DOOR LOCK HARNESS All Models, Driver Side Or Passenger Side Front Door, With Power Door Locks, Except Power Windows	\$210.00	
44185	1988	POWER DOOR LOCK HARNESS 4 Door Models, Body Crossover, With Power Door Locks, Except Power Windows	\$272.00	M
44184	1988	POWER DOOR LOCK HARNESS 4 Door Models, Driver Side Or Passenger Side Front Door, With Power Door Locks, Except Power Windows	\$210.00	
44186	1988	POWER DOOR LOCK HARNESS 4 Door Models, Driver Side Or Passenger Side Rear Door, With Power Door Locks, Except Power Windows Note: Customer Must Reuse Their Original Rubber Door Jamb Boot.	\$75.00	

Part Number	Year	Description	Price	*Rev.
44185	1989	POWER DOOR LOCK HARNESS 4 Door Models, Body Crossover, With Power Door Locks, Except Power Windows	\$272.00	M
44184	1989	POWER DOOR LOCK HARNESS 4 Door Models, Driver Side Or Passenger Side Front Door, With Power Door Locks, Except Power Windows	\$210.00	
44186	1989	POWER DOOR LOCK HARNESS 4 Door Models, Driver Side Or Passenger Side Rear Door, With Power Door Locks, Except Power Windows Note: Customer Must Reuse Their Original Rubber Door Jamb Boot.	\$75.00	
44185	1990	POWER DOOR LOCK HARNESS 4 Door Models, Body Crossover, With Power Door Locks, Except Power Windows	\$272.00	M
44184	1990	POWER DOOR LOCK HARNESS 4 Door Models, Driver Side Or Passenger Side Front Door, With Power Door Locks, Except Power Windows	\$210.00	
44186	1990	POWER DOOR LOCK HARNESS 4 Door Models, Driver Side Or Passenger Side Rear Door, With Power Door Locks, Except Power Windows Note: Customer Must Reuse Their Original Rubber Door Jamb Boot.	\$75.00	
44185	1991	POWER DOOR LOCK HARNESS 4 Door Models, Body Crossover, With Power Door Locks, Except Power Windows	\$272.00	M
44184	1991	POWER DOOR LOCK HARNESS 4 Door Models, Driver Side Or Passenger Side Front Door, With Power Door Locks, Except Power Windows	\$210.00	
44186	1991	POWER DOOR LOCK HARNESS 4 Door Models, Driver Side Or Passenger Side Rear Door, With Power Door Locks, Except Power Windows Note: Customer Must Reuse Their Original Rubber Door Jamb Boot.	\$75.00	
POWER DOOR LOCK SWITCH				
01725099	1977	POWER DOOR LOCK SWITCH 1 Button	\$62.00	M
01725099	1978	POWER DOOR LOCK SWITCH 1 Button	\$62.00	M
20031475	1979	POWER DOOR LOCK SWITCH 1-Button	\$62.00	N
20031475	1980	POWER DOOR LOCK SWITCH 1-Button	\$62.00	N
20031475	1981	POWER DOOR LOCK SWITCH 1-Button	\$62.00	N
20043224	1982	POWER DOOR LOCK SWITCH 1-Button	\$9.00	N
20043224	1983	POWER DOOR LOCK SWITCH 1-Button	\$9.00	N
20043224	1984	POWER DOOR LOCK SWITCH 1-Button	\$9.00	N
20043224	1985	POWER DOOR LOCK SWITCH 1-Button	\$9.00	N
20043224	1986	POWER DOOR LOCK SWITCH 1-Button	\$9.00	N
20043224	1987	POWER DOOR LOCK SWITCH 1-Button, RV Body Style	\$9.00	N
20043224	1988	POWER DOOR LOCK SWITCH 1-Button, RV Body Style	\$9.00	N
20043224	1989	POWER DOOR LOCK SWITCH 1-Button, RV Body Style	\$9.00	N
20043224	1990	POWER DOOR LOCK SWITCH 1-Button, RV Body Style	\$9.00	N
20043224	1991	POWER DOOR LOCK SWITCH 1-Button, RV Body Style	\$9.00	N
POWER TAILGATE WINDOW HARNESS				
39728	1973	POWER TAILGATE WINDOW HARNESS Suburban, Blazer & Jimmy, Dash Switch To Intermediate Body Harness	\$113.00	M
39729	1973	POWER TAILGATE WINDOW HARNESS Suburban, Blazer & Jimmy, Intermediate Body Harness	\$127.00	M
39768	1974	POWER TAILGATE WINDOW HARNESS Suburban, Blazer & Jimmy, Dash Switch To Intermediate Body Harness	\$113.00	M
39768	1975	POWER TAILGATE WINDOW HARNESS Suburban, Blazer & Jimmy, Dash Switch To Intermediate Body Harness	\$113.00	M
39803	1976	POWER TAILGATE WINDOW HARNESS Suburban, Blazer & Jimmy, Dash Switch To Intermediate Body Harness	\$113.00	M
39833	1977	POWER TAILGATE WINDOW HARNESS Suburban, Blazer & Jimmy, Dash Switch To Intermediate Body Harness	\$113.00	M
39830	1977	POWER TAILGATE WINDOW HARNESS Suburban, Blazer & Jimmy, Intermediate Body Harness	\$127.00	M
39833	1978	POWER TAILGATE WINDOW HARNESS Suburban, Blazer & Jimmy, Dash Switch To Intermediate Body Harness	\$113.00	M

Part Number	Year	Description	Price	*Rev.
39861	1978	POWER TAILGATE WINDOW HARNESS Suburban, Intermediate Body Harness	\$127.00	M
39864	1978	POWER TAILGATE WINDOW HARNESS Blazer & Jimmy, Intermediate Body Harness	\$127.00	M
39888	1979	POWER TAILGATE WINDOW HARNESS Suburban, Blazer & Jimmy, Dash Switch To Intermediate Body Harness	\$113.00	M
39885	1979	POWER TAILGATE WINDOW HARNESS 4 Wheel Drive Suburban, Intermediate Body Harness	\$127.00	M
39886	1979	POWER TAILGATE WINDOW HARNESS Blazer & Jimmy, Intermediate Body Harness	\$127.00	M
39887	1979	POWER TAILGATE WINDOW HARNESS 2 Wheel Drive Suburban, Intermediate Body Harness	\$127.00	M
39888	1980	POWER TAILGATE WINDOW HARNESS Suburban, Blazer & Jimmy, Dash Switch To Intermediate Body Harness	\$113.00	M
39920	1980	POWER TAILGATE WINDOW HARNESS 4 Wheel Drive Suburban, Intermediate Body Harness	\$127.00	M
39921	1980	POWER TAILGATE WINDOW HARNESS Blazer & Jimmy, Intermediate Body Harness	\$127.00	M
39922	1980	POWER TAILGATE WINDOW HARNESS 2 Wheel Drive Suburban, Intermediate Body Harness	\$127.00	M
39888	1981	POWER TAILGATE WINDOW HARNESS Suburban, Blazer & Jimmy, Dash Switch To Intermediate Body Harness	\$113.00	M
39971	1981	POWER TAILGATE WINDOW HARNESS Suburban, 4 Wheel Drive , Intermediate Body Harness	\$127.00	M
39972	1981	POWER TAILGATE WINDOW HARNESS Blazer & Jimmy, Intermediate Body Harness	\$127.00	M
39973	1981	POWER TAILGATE WINDOW HARNESS 2 Wheel Drive Suburban, Intermediate Body Harness	\$127.00	M
39990	1982	POWER TAILGATE WINDOW HARNESS Suburban, Blazer & Jimmy, Dash Switch To Intermediate Body Harness, (1st Design) Note: this harness has a 3 wire plastic connector where it plugs into body harness.	\$113.00	M
40010	1982	POWER TAILGATE WINDOW HARNESS Suburban, Intermediate Body Harness, (1st Design) Note: this harness has a 3 wire rubber molded connector where it plugs into dash switch harness.	\$127.00	M
40011	1982	POWER TAILGATE WINDOW HARNESS Blazer & Jimmy, Intermediate Body Harness, (1st Design) Note: this harness has a 3 wire rubber molded connector where it plugs into dash switch harness.	\$127.00	M
40018	1982	POWER TAILGATE WINDOW HARNESS Suburban, Blazer & Jimmy, Dash Switch To Intermediate Body Harness, (2nd Design) Note: This Harness Has A 2 Wire Rubber Molded Connector Where It Plugs Into Body Harness.	\$113.00	M
40016	1982	POWER TAILGATE WINDOW HARNESS Blazer & Jimmy, Intermediate Body Harness, (2nd Design) Note: this harness has a 2 wire rubber molded connector where it plugs into dash switch harness.	\$127.00	M
40017	1982	POWER TAILGATE WINDOW HARNESS Suburban, Intermediate Body Harness, (2nd Design) Note: this harness has a 2 wire rubber molded connector where it plugs into dash switch harness.	\$127.00	M
POWER WINDOW DOOR BOOT				
12010247	1977	POWER WINDOW OR POWER DOOR LOCK DOOR BOOT Front Door, Each Boot Comes With 2 Metal Mounting Flanges, 2 Boots Required Per Truck Note: Used On All C & K Models, Square Body Style.	\$12.00	N
12010247	1978	POWER WINDOW OR POWER DOOR LOCK DOOR BOOT Front Door, Each Boot Comes With 2 Metal Mounting Flanges, 2 Boots Required Per Truck Note: Used On All C & K Models, Square Body Style.	\$12.00	N
12010247	1979	POWER WINDOW OR POWER DOOR LOCK DOOR BOOT Front Door, Each Boot Comes With 2 Metal Mounting Flanges, 2 Boots Required Per Truck Note: Used On All C & K Models, Square Body Style.	\$12.00	N
12010247	1980	POWER WINDOW OR POWER DOOR LOCK DOOR BOOT Front Door, Each Boot Comes With 2 Metal Mounting Flanges, 2 Boots Required Per Truck Note: Used On All C & K Models, Square Body Style.	\$12.00	N
12010247	1981	POWER WINDOW OR POWER DOOR LOCK DOOR BOOT Front Door, Each Boot Comes With 2 Metal Mounting Flanges, 2 Boots Required Per Truck Note: Used On All C & K Models, Square Body Style.	\$12.00	N
12010247	1982	POWER WINDOW OR POWER DOOR LOCK DOOR BOOT Front Door, Each Boot Comes With 2 Metal Mounting Flanges, 2 Boots Required Per Truck Note: Used On All C & K Models, Square Body Style.	\$12.00	N

Part Number	Year	Description	Price	*Rev.
12010247	1983	POWER WINDOW OR POWER DOOR LOCK DOOR BOOT Front Door, Each Boot Comes With 2 Metal Mounting Flanges, 2 Boots Required Per Truck Note: Used On All C & K Models, Square Body Style.	\$12.00	N
12010247	1984	POWER WINDOW OR POWER DOOR LOCK DOOR BOOT Front Door, Each Boot Comes With 2 Metal Mounting Flanges, 2 Boots Required Per Truck Note: Used On All C & K Models, Square Body Style.	\$12.00	N
12010247	1985	POWER WINDOW OR POWER DOOR LOCK DOOR BOOT Front Door, Each Boot Comes With 2 Metal Mounting Flanges, 2 Boots Required Per Truck Note: Used On All C & K Models, Square Body Style.	\$12.00	N
12010247	1986	POWER WINDOW OR POWER DOOR LOCK DOOR BOOT Front Door, Each Boot Comes With 2 Metal Mounting Flanges, 2 Boots Required Per Truck Note: Used On All C & K Models, Square Body Style.	\$12.00	N
12010247	1987	POWER WINDOW OR POWER DOOR LOCK DOOR BOOT Front Door, Each Boot Comes With 2 Metal Mounting Flanges, 2 Boots Required Per Truck Note: Used On R & V Models, Square Body Style.	\$12.00	N
12010247	1988	POWER WINDOW OR POWER DOOR LOCK DOOR BOOT Front Door, Each Boot Comes With 2 Metal Mounting Flanges, 2 Boots Required Per Truck Note: Used On R & V Models, Square Body Style.	\$12.00	N
12010247	1989	POWER WINDOW OR POWER DOOR LOCK DOOR BOOT Front Door, Each Boot Comes With 2 Metal Mounting Flanges, 2 Boots Required Per Truck Note: Used On R & V Models, Square Body Style.	\$12.00	N
12010247	1990	POWER WINDOW OR POWER DOOR LOCK DOOR BOOT Front Door, Each Boot Comes With 2 Metal Mounting Flanges, 2 Boots Required Per Truck Note: Used On R & V Models, Square Body Style.	\$12.00	N
12010247	1991	POWER WINDOW OR POWER DOOR LOCK DOOR BOOT Front Door, Each Boot Comes With 2 Metal Mounting Flanges, 2 Boots Required Per Truck Note: Used On R & V Models, Square Body Style.	\$12.00	N
POWER WINDOW HARNESS				
39844	1977	POWER WINDOW HARNESS 2 Door Models, Body Crossover, With Power Windows, Except Power Door Locks	\$278.00	
39846	1977	POWER WINDOW HARNESS 2 Door Models, Driver Side Door, With Power Windows, Except Power Door Locks	\$210.00	
39847	1977	POWER WINDOW HARNESS 2 Door Models, Passenger Side Door, With Power Windows, Except Power Door Locks	\$210.00	
39824	1977	POWER WINDOW HARNESS 2 Door Models, Body Crossover, With Power Windows & Power Door Locks	\$278.00	
39825	1977	POWER WINDOW HARNESS 2 Door Models, Driver Side Door, With Power Windows And Power Door Locks	\$235.00	
39826	1977	POWER WINDOW HARNESS 2 Door Models, Passenger Side Door, With Power Windows And Power Door Locks	\$235.00	
39858	1978	POWER WINDOW HARNESS 2 Door Models, Body Crossover, With Power Windows, Except Power Door Locks	\$278.00	
39852	1978	POWER WINDOW HARNESS 2 Door Models, Driver Side Door, With Power Windows, Except Power Door Locks	\$210.00	
39853	1978	POWER WINDOW HARNESS 2 Door Models, Passenger Side Door, With Power Windows, Except Power Door Locks	\$210.00	
39857	1978	POWER WINDOW HARNESS 2 Door Models, Body Crossover, With Power Windows And Power Door Locks	\$278.00	
39854	1978	POWER WINDOW HARNESS 2 Door Models, Driver Side Door, With Power Windows And Power Door Locks	\$235.00	
39855	1978	POWER WINDOW HARNESS 2 Door Models, Passenger Side Door, With Power Windows And Power Door Locks	\$235.00	
38200	1979	POWER WINDOW HARNESS 2 Door Models, Body Crossover, With Power Windows, Except Power Door Locks	\$278.00	M

Part Number	Year	Description	Price	*Rev.
39852	1979	POWER WINDOW HARNESS 2 Door Models, Driver Side Door, With Power Windows, Except Power Door Locks	\$210.00	
38199	1979	POWER WINDOW HARNESS 2 Door Models, Passenger Side Door, With Power Windows, Except Power Door Locks	\$210.00	
38195	1979	POWER WINDOW HARNESS 2 Door Models, Body Crossover, With Power Windows And Power Door Locks	\$278.00	M
38196	1979	POWER WINDOW HARNESS 2 Door Models, Driver Side Door, With Power Windows And Power Door Locks	\$235.00	
38197	1979	POWER WINDOW HARNESS 2 Door Models, Passenger Side Door, With Power Windows And Power Door Locks	\$235.00	
38200	1980	POWER WINDOW HARNESS 2 Door Models, Body Crossover, With Power Windows, Except Power Door Locks	\$278.00	M
39889	1980	POWER WINDOW HARNESS 4 Door Models, Body Crossover, With Power Windows, Except Power Door Locks	\$278.00	
39852	1980	POWER WINDOW HARNESS 2 Door Models, Driver Side Door, With Power Windows, Except Power Door Locks	\$210.00	
39891	1980	POWER WINDOW HARNESS 4 Door Models, Driver Side Front Door, With Power Windows, Except Power Door Locks	\$210.00	
38199	1980	POWER WINDOW HARNESS All Models, Passenger Side Front Door, With Power Windows, Except Power Door Locks	\$210.00	
39890	1980	POWER WINDOW HARNESS 4 Door Models, Driver Side Or Passenger Side Rear Door, With Power Windows, Except Power Door Locks	\$90.00	
		Note: Customer Must Reuse Their Original Rubber Door Jamb Boot.		
38195	1980	POWER WINDOW HARNESS 2 Door Models, Body Crossover, With Power Windows And Power Door Locks	\$278.00	M
39894	1980	POWER WINDOW HARNESS 4 Door Models, Body Crossover, With Power Windows And Power Door Locks	\$278.00	
38196	1980	POWER WINDOW HARNESS 2 Door Models, Driver Side Door, With Power Windows And Power Door Locks	\$235.00	
39895	1980	POWER WINDOW HARNESS 4 Door Models, Driver Side Front Door, With Power Windows And Power Door Locks	\$235.00	
38197	1980	POWER WINDOW HARNESS All Models, Passenger Side Front Door, With Power Windows And Power Door Locks	\$235.00	
39896	1980	POWER WINDOW HARNESS 4 Door Models, Driver Side Or Passenger Side Rear Door, With Power Windows And Power Door Locks	\$90.00	
		Note: Customer Must Reuse Their Original Rubber Door Jamb Boot.		
39974	1981	POWER WINDOW HARNESS 2 Door Models, Body Crossover, With Power Windows, Except Power Door Locks	\$278.00	M
39976	1981	POWER WINDOW HARNESS 4 Door Models, Body Crossover, With Power Windows, Except Power Door Locks	\$278.00	
39852	1981	POWER WINDOW HARNESS 2 Door Models, Driver Side Door, With Power Windows, Except Power Door Locks	\$210.00	
39891	1981	POWER WINDOW HARNESS 4 Door Models, Driver Side Front Door, With Power Windows, Except Power Door Locks	\$210.00	
38199	1981	POWER WINDOW HARNESS All Models, Passenger Side Front Door, With Power Windows, Except Power Door Locks	\$210.00	
39890	1981	POWER WINDOW HARNESS 4 Door Models, Driver Side Or Passenger Side Rear Door, With Power Windows, Except Power Door Locks	\$90.00	
		Note: Customer Must Reuse Their Original Rubber Door Jamb Boot.		
39977	1981	POWER WINDOW HARNESS 2 Door Models, Body Crossover, With Power Windows And Power Door Locks	\$278.00	M
39975	1981	POWER WINDOW HARNESS 4 Door Models, Body Crossover, With Power Windows And Power Door Locks	\$278.00	
38196	1981	POWER WINDOW HARNESS 2 Door Models, Driver Side Door, With Power Windows And Power Door Locks	\$235.00	

Part Number	Year	Description	Price	*Rev.
39895	1981	POWER WINDOW HARNESS 4 Door Models, Driver Side Front Door, With Power Windows And Power Door Locks	\$235.00	
38197	1981	POWER WINDOW HARNESS All Models, Passenger Side Front Door, With Power Windows And Power Door Locks	\$235.00	
39896	1981	POWER WINDOW HARNESS 4 Door Models, Driver Side Or Passenger Side Rear Door, With Power Windows And Power Door Locks Note: Customer Must Reuse Their Original Rubber Door Jamb Boot.	\$90.00	
39952	1982	POWER WINDOW HARNESS 2 Door Models, Body Crossover, With Power Windows, Except Power Door Locks	\$278.00	M
39948	1982	POWER WINDOW HARNESS 4 Door Models, Body Crossover, With Power Windows, Except Power Door Locks	\$278.00	
39958	1982	POWER WINDOW HARNESS 2 Door Models, Driver Side Door, With Power Windows, Except Power Door Locks	\$210.00	
39960	1982	POWER WINDOW HARNESS 4 Door Models, Driver Side Front Door, With Power Windows, Except Power Door Locks	\$210.00	
39965	1982	POWER WINDOW HARNESS All Models, Passenger Side Front Door, With Power Windows, Except Power Door Locks	\$210.00	
39959	1982	POWER WINDOW HARNESS 4 Door Models, Driver Side Rear Door, With Power Windows, Except Power Door Locks Note: Customer Must Reuse Their Original Rubber Door Jamb Boot.	\$90.00	
40014	1982	POWER WINDOW HARNESS 4 Door Models, Passenger Side Rear Door, With Power Windows, Except Power Door Locks Note: Customer Must Reuse Their Original Rubber Door Jamb Boot.	\$90.00	
40029	1982	POWER WINDOW HARNESS 2 Door Models, Body Crossover, With Power Windows And Power Door Locks	\$278.00	M
39950	1982	POWER WINDOW HARNESS 4 Door Models, Body Crossover, With Power Windows And Power Door Locks	\$278.00	
39963	1982	POWER WINDOW HARNESS 2 Door Models, Driver Side Door, With Power Windows And Power Door Locks	\$235.00	
39961	1982	POWER WINDOW HARNESS 4 Door Models, Driver Side Front Door, With Power Windows And Power Door Locks	\$235.00	
39964	1982	POWER WINDOW HARNESS All Models, Passenger Side Front Door, With Power Windows And Power Door Locks	\$235.00	
39962	1982	POWER WINDOW HARNESS 4 Door Models, Driver Side Rear Door, With Power Windows And Power Door Locks Note: Customer Must Reuse Their Original Rubber Door Jamb Boot.	\$110.00	
40015	1982	POWER WINDOW HARNESS 4 Door Models, Passenger Side Rear Door, With Power Windows And Power Door Locks Note: Customer Must Reuse Their Original Rubber Door Jamb Boot.	\$110.00	
39952	1983	POWER WINDOW HARNESS 2 Door Models, Body Crossover, With Power Windows, Except Power Door Locks	\$278.00	M
39948	1983	POWER WINDOW HARNESS 4 Door Models, Body Crossover, With Power Windows, Except Power Door Locks	\$278.00	
39958	1983	POWER WINDOW HARNESS 2 Door Models, Driver Side Door, With Power Windows, Except Power Door Locks	\$210.00	
39960	1983	POWER WINDOW HARNESS 4 Door Models, Driver Side Front Door, With Power Windows, Except Power Door Locks	\$210.00	
39965	1983	POWER WINDOW HARNESS All Models, Passenger Side Front Door, With Power Windows, Except Power Door Locks	\$210.00	
39959	1983	POWER WINDOW HARNESS 4 Door Models, Driver Side Rear Door, With Power Windows, Except Power Door Locks Note: Customer Must Reuse Their Original Rubber Door Jamb Boot.	\$90.00	
40014	1983	POWER WINDOW HARNESS 4 Door Models, Passenger Side Rear Door, With Power Windows, Except Power Door Locks Note: Customer Must Reuse Their Original Rubber Door Jamb Boot.	\$90.00	

Part Number	Year	Description	Price	*Rev.
40029	1983	POWER WINDOW HARNESS 2 Door Models, Body Crossover, With Power Windows And Power Door Locks	\$278.00	M
39950	1983	POWER WINDOW HARNESS 4 Door Models, Body Crossover, With Power Windows And Power Door Locks	\$278.00	
39963	1983	POWER WINDOW HARNESS 2 Door Models, Driver Side Door, With Power Windows And Power Door Locks	\$235.00	
39961	1983	POWER WINDOW HARNESS 4 Door Models, Driver Side Front Door, With Power Windows And Power Door Locks	\$235.00	
39964	1983	POWER WINDOW HARNESS All Models, Passenger Side Front Door, With Power Windows And Power Door Locks	\$235.00	
39962	1983	POWER WINDOW HARNESS 4 Door Models, Driver Side Rear Door, With Power Windows And Power Door Locks Note: Customer Must Reuse Their Original Rubber Door Jamb Boot.	\$110.00	
40015	1983	POWER WINDOW HARNESS 4 Door Models, Passenger Side Rear Door, With Power Windows And Power Door Locks Note: Customer Must Reuse Their Original Rubber Door Jamb Boot.	\$110.00	
39952	1984	POWER WINDOW HARNESS 2 Door Models, Body Crossover, With Power Windows, Except Power Door Locks	\$278.00	M
39948	1984	POWER WINDOW HARNESS 4 Door Models, Body Crossover, With Power Windows, Except Power Door Locks	\$278.00	
39958	1984	POWER WINDOW HARNESS 2 Door Models, Driver Side Door, With Power Windows, Except Power Door Locks	\$210.00	
39960	1984	POWER WINDOW HARNESS 4 Door Models, Driver Side Front Door, With Power Windows, Except Power Door Locks	\$210.00	
39965	1984	POWER WINDOW HARNESS All Models, Passenger Side Front Door, With Power Windows, Except Power Door Locks	\$210.00	
39959	1984	POWER WINDOW HARNESS 4 Door Models, Driver Side Rear Door, With Power Windows, Except Power Door Locks Note: Customer Must Reuse Their Original Rubber Door Jamb Boot.	\$90.00	
40014	1984	POWER WINDOW HARNESS 4 Door Models, Passenger Side Rear Door, With Power Windows, Except Power Door Locks Note: Customer Must Reuse Their Original Rubber Door Jamb Boot.	\$90.00	
40029	1984	POWER WINDOW HARNESS 2 Door Models, Body Crossover, With Power Windows And Power Door Locks	\$278.00	M
39950	1984	POWER WINDOW HARNESS 4 Door Models, Body Crossover, With Power Windows And Power Door Locks	\$278.00	
39963	1984	POWER WINDOW HARNESS 2 Door Models, Driver Side Door, With Power Windows And Power Door Locks	\$235.00	
39961	1984	POWER WINDOW HARNESS 4 Door Models, Driver Side Front Door, With Power Windows And Power Door Locks	\$235.00	
39964	1984	POWER WINDOW HARNESS All Models, Passenger Side Front Door, With Power Windows And Power Door Locks	\$235.00	
44163	1984	POWER WINDOW HARNESS 4 Door Models, Driver Side Rear Door, With Power Windows And Power Door Locks Note: Customer Must Reuse Their Original Rubber Door Jamb Boot.	\$110.00	
44164	1984	POWER WINDOW HARNESS 4 Door Models, Passenger Side Rear Door, With Power Windows And Power Door Locks Note: Customer Must Reuse Their Original Rubber Door Jamb Boot.	\$110.00	
44165	1985	POWER WINDOW HARNESS 2 Door Models, Body Crossover, With Power Windows, Except Power Door Locks	\$278.00	M
44172	1985	POWER WINDOW HARNESS 4 Door Models, Body Crossover, With Power Windows, Except Power Door Locks	\$278.00	
44166	1985	POWER WINDOW HARNESS 2 Door Models, Driver Side Door, With Power Windows, Except Power Door Locks	\$210.00	

Part Number	Year	Description	Price	*Rev.
44173	1985	POWER WINDOW HARNESS 4 Door Models, Driver Side Front Door, With Power Windows, Except Power Door Locks	\$210.00	
44167	1985	POWER WINDOW HARNESS All Models, Passenger Side Front Door, With Power Windows, Except Power Door Locks	\$210.00	
44174	1985	POWER WINDOW HARNESS 4 Door Models, Driver Side Rear Door, With Power Windows, Except Power Door Locks Note: Customer Must Reuse Their Original Rubber Door Jamb Boot.	\$90.00	
44175	1985	POWER WINDOW HARNESS 4 Door Models, Passenger Side Rear Door, With Power Windows, Except Power Door Locks Note: Customer Must Reuse Their Original Rubber Door Jamb Boot.	\$90.00	
44001	1985	POWER WINDOW HARNESS 2 Door Models, Body Crossover, With Power Windows And Power Door Locks	\$278.00	
44168	1985	POWER WINDOW HARNESS 4 Door Models, Body Crossover, With Power Windows And Power Door Locks	\$278.00	
44002	1985	POWER WINDOW HARNESS 2 Door Models, Driver Side Door, With Power Windows And Power Door Locks	\$235.00	
44169	1985	POWER WINDOW HARNESS 4 Door Models, Driver Side Front Door, With Power Windows And Power Door Locks	\$235.00	
44003	1985	POWER WINDOW HARNESS All Models, Passenger Side Front Door, With Power Windows And Power Door Locks	\$235.00	
44170	1985	POWER WINDOW HARNESS 4 Door Models, Driver Side Rear Door, With Power Windows And Power Door Locks Note: Customer Must Reuse Their Original Rubber Door Jamb Boot.	\$110.00	
44171	1985	POWER WINDOW HARNESS 4 Door Models, Passenger Side Rear Door, With Power Windows And Power Door Locks Note: Customer Must Reuse Their Original Rubber Door Jamb Boot.	\$110.00	
44165	1986	POWER WINDOW HARNESS 2 Door Models, Body Crossover, With Power Windows, Except Power Door Locks	\$278.00	M
44172	1986	POWER WINDOW HARNESS 4 Door Models, Body Crossover, With Power Windows, Except Power Door Locks	\$278.00	
44166	1986	POWER WINDOW HARNESS 2 Door Models, Driver Side Door, With Power Windows, Except Power Door Locks	\$210.00	
44173	1986	POWER WINDOW HARNESS 4 Door Models, Driver Side Front Door, With Power Windows, Except Power Door Locks	\$210.00	
44167	1986	POWER WINDOW HARNESS All Models, Passenger Side Front Door, With Power Windows, Except Power Door Locks	\$210.00	
44174	1986	POWER WINDOW HARNESS 4 Door Models, Driver Side Rear Door, With Power Windows, Except Power Door Locks Note: Customer Must Reuse Their Original Rubber Door Jamb Boot.	\$90.00	
44175	1986	POWER WINDOW HARNESS 4 Door Models, Passenger Side Rear Door, With Power Windows, Except Power Door Locks Note: Customer Must Reuse Their Original Rubber Door Jamb Boot.	\$90.00	
44001	1986	POWER WINDOW HARNESS 2 Door Models, Body Crossover, With Power Windows And Power Door Locks	\$278.00	
44168	1986	POWER WINDOW HARNESS 4 Door Models, Body Crossover, With Power Windows And Power Door Locks	\$278.00	
44002	1986	POWER WINDOW HARNESS 2 Door Models, Driver Side Door, With Power Windows And Power Door Locks	\$235.00	
44169	1986	POWER WINDOW HARNESS 4 Door Models, Driver Side Front Door, With Power Windows And Power Door Locks	\$235.00	
44003	1986	POWER WINDOW HARNESS All Models, Passenger Side Front Door, With Power Windows And Power Door Locks	\$235.00	
44170	1986	POWER WINDOW HARNESS 4 Door Models, Driver Side Rear Door, With Power Windows And Power Door Locks Note: Customer Must Reuse Their Original Rubber Door Jamb Boot.	\$110.00	

Part Number	Year	Description	Price	*Rev.
44171	1986	POWER WINDOW HARNESS 4 Door Models, Passenger Side Rear Door, With Power Windows And Power Door Locks Note: Customer Must Reuse Their Original Rubber Door Jamb Boot.	\$110.00	
44165	1987	POWER WINDOW HARNESS 2 Door Models, Body Crossover, With Power Windows, Except Power Door Locks	\$278.00	M
44172	1987	POWER WINDOW HARNESS 4 Door Models, Body Crossover, With Power Windows, Except Power Door Locks	\$278.00	
44166	1987	POWER WINDOW HARNESS 2 Door Models, Driver Side Door, With Power Windows, Except Power Door Locks	\$210.00	
44173	1987	POWER WINDOW HARNESS 4 Door Models, Driver Side Front Door, With Power Windows, Except Power Door Locks	\$210.00	
44167	1987	POWER WINDOW HARNESS All Models, Passenger Side Front Door, With Power Windows, Except Power Door Locks	\$210.00	
44174	1987	POWER WINDOW HARNESS 4 Door Models, Driver Side Rear Door, With Power Windows, Except Power Door Locks Note: Customer Must Reuse Their Original Rubber Door Jamb Boot.	\$90.00	
44175	1987	POWER WINDOW HARNESS 4 Door Models, Passenger Side Rear Door, With Power Windows, Except Power Door Locks Note: Customer Must Reuse Their Original Rubber Door Jamb Boot.	\$90.00	
44178	1987	POWER WINDOW HARNESS 2 Door Models, Body Crossover, With Power Windows And Power Door Locks	\$278.00	M
44181	1987	POWER WINDOW HARNESS 4 Door Models, Body Crossover, With Power Windows And Power Door Locks	\$278.00	
44179	1987	POWER WINDOW HARNESS 2 Door Models, Driver Side Door, With Power Windows And Power Door Locks	\$235.00	
44182	1987	POWER WINDOW HARNESS 4 Door Models, Driver Side Front Door, With Power Windows And Power Door Locks	\$235.00	
44180	1987	POWER WINDOW HARNESS All Models, Passenger Side Front Door, With Power Windows And Power Door Locks	\$235.00	
44170	1987	POWER WINDOW HARNESS 4 Door Models, Driver Side Rear Door, With Power Windows And Power Door Locks Note: Customer Must Reuse Their Original Rubber Door Jamb Boot.	\$110.00	
44171	1987	POWER WINDOW HARNESS 4 Door Models, Passenger Side Rear Door, With Power Windows And Power Door Locks Note: Customer Must Reuse Their Original Rubber Door Jamb Boot.	\$110.00	
44165	1988	POWER WINDOW HARNESS Blazer & Jimmy, Body Crossover, With Power Windows, Except Power Door Locks	\$278.00	M
44172	1988	POWER WINDOW HARNESS 4 Door Models, Body Crossover, With Power Windows, Except Power Door Locks	\$278.00	
44166	1988	POWER WINDOW HARNESS Blazer & Jimmy, Driver Side Door, With Power Windows, Except Power Door Locks	\$210.00	
44173	1988	POWER WINDOW HARNESS 4 Door Models, Driver Side Front Door, With Power Windows, Except Power Door Locks	\$210.00	
44167	1988	POWER WINDOW HARNESS All Models, Passenger Side Front Door, With Power Windows, Except Power Door Locks	\$210.00	
44174	1988	POWER WINDOW HARNESS 4 Door Models, Driver Side Rear Door, With Power Windows, Except Power Door Locks Note: Customer Must Reuse Their Original Rubber Door Jamb Boot.	\$90.00	
44175	1988	POWER WINDOW HARNESS 4 Door Models, Passenger Side Rear Door, With Power Windows, Except Power Door Locks Note: Customer Must Reuse Their Original Rubber Door Jamb Boot.	\$90.00	
44178	1988	POWER WINDOW HARNESS Blazer & Jimmy, Body Crossover, With Power Windows And Power Door Locks	\$278.00	M
44181	1988	POWER WINDOW HARNESS 4 Door Models, Body Crossover, With Power Windows And Power Door Locks	\$278.00	

Part Number	Year	Description	Price	*Rev.
44179	1988	POWER WINDOW HARNESS Blazer & Jimmy, Driver Side Door, With Power Windows And Power Door Locks	\$235.00	
44182	1988	POWER WINDOW HARNESS 4 Door Models, Driver Side Front Door, With Power Windows And Power Door Locks	\$235.00	
44180	1988	POWER WINDOW HARNESS All Models, Passenger Side Front Door, With Power Windows And Power Door Locks	\$235.00	
44170	1988	POWER WINDOW HARNESS 4 Door Models, Driver Side Rear Door, With Power Windows And Power Door Locks Note: Customer Must Reuse Their Original Rubber Door Jamb Boot.	\$110.00	
44171	1988	POWER WINDOW HARNESS 4 Door Models, Passenger Side Rear Door, With Power Windows And Power Door Locks Note: Customer Must Reuse Their Original Rubber Door Jamb Boot.	\$110.00	
44165	1989	POWER WINDOW HARNESS Blazer & Jimmy, Body Crossover, With Power Windows, Except Power Door Locks	\$278.00	M
44166	1989	POWER WINDOW HARNESS Blazer & Jimmy, Driver Side Door, With Power Windows, Except Power Door Locks	\$210.00	
44167	1989	POWER WINDOW HARNESS Blazer & Jimmy, Passenger Side Front Door, With Power Windows, Except Power Door Locks	\$210.00	
44178	1989	POWER WINDOW HARNESS Blazer & Jimmy, Body Crossover, With Power Windows And Power Door Locks	\$278.00	M
44181	1989	POWER WINDOW HARNESS 4 Door Models, Body Crossover, With Power Windows And Power Door Locks	\$278.00	
44179	1989	POWER WINDOW HARNESS Blazer & Jimmy, Driver Side Door, With Power Windows And Power Door Locks	\$235.00	
44182	1989	POWER WINDOW HARNESS 4 Door Models, Driver Side Front Door, With Power Windows And Power Door Locks	\$235.00	
44180	1989	POWER WINDOW HARNESS All Models, Passenger Side Front Door, With Power Windows And Power Door Locks	\$235.00	
44170	1989	POWER WINDOW HARNESS 4 Door Models, Driver Side Rear Door, With Power Windows And Power Door Locks Note: Customer Must Reuse Their Original Rubber Door Jamb Boot.	\$110.00	
44171	1989	POWER WINDOW HARNESS 4 Door Models, Passenger Side Rear Door, With Power Windows And Power Door Locks Note: Customer Must Reuse Their Original Rubber Door Jamb Boot.	\$110.00	
44165	1990	POWER WINDOW HARNESS Blazer & Jimmy, Body Crossover, With Power Windows, Except Power Door Locks	\$278.00	M
44166	1990	POWER WINDOW HARNESS Blazer & Jimmy, Driver Side Door, With Power Windows, Except Power Door Locks	\$210.00	
44167	1990	POWER WINDOW HARNESS Blazer & Jimmy, Passenger Side Front Door, With Power Windows, Except Power Door Locks	\$210.00	
44178	1990	POWER WINDOW HARNESS Blazer & Jimmy, Body Crossover, With Power Windows And Power Door Locks	\$278.00	M
44181	1990	POWER WINDOW HARNESS 4 Door Models, Body Crossover, With Power Windows And Power Door Locks	\$278.00	
44179	1990	POWER WINDOW HARNESS Blazer & Jimmy, Driver Side Door, With Power Windows And Power Door Locks	\$235.00	
44182	1990	POWER WINDOW HARNESS 4 Door Models, Driver Side Front Door, With Power Windows And Power Door Locks	\$235.00	
44180	1990	POWER WINDOW HARNESS All Models, Passenger Side Front Door, With Power Windows And Power Door Locks	\$235.00	
44170	1990	POWER WINDOW HARNESS 4 Door Models, Driver Side Rear Door, With Power Windows And Power Door Locks Note: Customer Must Reuse Their Original Rubber Door Jamb Boot.	\$110.00	

Part Number	Year	Description	Price	*Rev.
44171	1990	POWER WINDOW HARNESS 4 Door Models, Passenger Side Rear Door, With Power Windows And Power Door Locks Note: Customer Must Reuse Their Original Rubber Door Jamb Boot.	\$110.00	
44165	1991	POWER WINDOW HARNESS Blazer & Jimmy, Body Crossover, With Power Windows, Except Power Door Locks	\$278.00	M
44166	1991	POWER WINDOW HARNESS Blazer & Jimmy, Driver Side Door, With Power Windows, Except Power Door Locks	\$210.00	
44167	1991	POWER WINDOW HARNESS Blazer & Jimmy, Passenger Side Front Door, With Power Windows, Except Power Door Locks	\$210.00	
44178	1991	POWER WINDOW HARNESS Blazer & Jimmy, Body Crossover, With Power Windows And Power Door Locks	\$278.00	M
44181	1991	POWER WINDOW HARNESS 4 Door Models, Body Crossover, With Power Windows And Power Door Locks	\$278.00	
44179	1991	POWER WINDOW HARNESS Blazer & Jimmy, Driver Side Door, With Power Windows And Power Door Locks	\$235.00	
44182	1991	POWER WINDOW HARNESS 4 Door Models, Driver Side Front Door, With Power Windows And Power Door Locks	\$235.00	
44180	1991	POWER WINDOW HARNESS All Models, Passenger Side Front Door, With Power Windows And Power Door Locks	\$235.00	
44170	1991	POWER WINDOW HARNESS 4 Door Models, Driver Side Rear Door, With Power Windows And Power Door Locks Note: Customer Must Reuse Their Original Rubber Door Jamb Boot.	\$110.00	
44171	1991	POWER WINDOW HARNESS 4 Door Models, Passenger Side Rear Door, With Power Windows And Power Door Locks Note: Customer Must Reuse Their Original Rubber Door Jamb Boot.	\$110.00	
POWER WINDOW SWITCH				
01725094	1977	POWER WINDOW SWITCH 1 Button, Square Corner Style, Chrome	\$21.00	M
01725092	1977	POWER WINDOW SWITCH 2 Button, Square Corner Style, Chrome	\$53.00	M
01725094	1978	POWER WINDOW SWITCH 1 Button, Square Corner Style, Chrome	\$21.00	M
01725092	1978	POWER WINDOW SWITCH 2 Button, Square Corner Style, Chrome	\$53.00	M
01725094	1979	POWER WINDOW SWITCH 1 Button, Square Corner Style, Chrome	\$21.00	M
01731231	1979	POWER WINDOW SWITCH 4 Button, Square Corner Style, Chrome	\$75.00	M
01725092	1979	POWER WINDOW SWITCH 2 Button, Square Corner Style, Chrome	\$53.00	M
01725094	1980	POWER WINDOW SWITCH 1 Button, Square Corner Style, Chrome	\$21.00	M
01731231	1980	POWER WINDOW SWITCH 4 Button, Square Corner Style, Chrome	\$75.00	M
01725092	1980	POWER WINDOW SWITCH 2 Button, Square Corner Style, Chrome	\$53.00	M
01725092	1981	POWER WINDOW SWITCH 2 Button, Square Corner Style, Chrome	\$53.00	M
20061549	1981	POWER WINDOW SWITCH 2-Button	\$14.00	N
01725094	1981	POWER WINDOW SWITCH 1 Button, Square Corner Style, Chrome	\$21.00	M
20043940	1981	POWER WINDOW SWITCH 1-Button	\$9.00	N
01731231	1981	POWER WINDOW SWITCH 4 Button, Square Corner Style, Chrome	\$75.00	M
20043940	1982	POWER WINDOW SWITCH 1-Button	\$9.00	N
20061549	1982	POWER WINDOW SWITCH 2-Button	\$14.00	N
20106968	1982	POWER WINDOW SWITCH 4-Button	\$19.00	N
20043940	1983	POWER WINDOW SWITCH 1-Button	\$9.00	N
20061549	1983	POWER WINDOW SWITCH 2-Button	\$14.00	N
20106968	1983	POWER WINDOW SWITCH 4-Button	\$19.00	N
20043940	1984	POWER WINDOW SWITCH 1-Button	\$9.00	N
20061549	1984	POWER WINDOW SWITCH 2-Button	\$14.00	N
20106968	1984	POWER WINDOW SWITCH 4-Button	\$19.00	N

Part Number	Year	Description	Price	*Rev.
20043940	1985	POWER WINDOW SWITCH 1-Button	\$9.00	N
20061549	1985	POWER WINDOW SWITCH 2-Button	\$14.00	N
20106968	1985	POWER WINDOW SWITCH 4-Button	\$19.00	N
20043940	1986	POWER WINDOW SWITCH 1-Button	\$9.00	N
20061549	1986	POWER WINDOW SWITCH 2-Button	\$14.00	N
20106968	1986	POWER WINDOW SWITCH 4-Button	\$19.00	N
20043940	1987	POWER WINDOW SWITCH 1-Button, RV Body Style	\$9.00	N
20061549	1987	POWER WINDOW SWITCH 2-Button, RV Body Style	\$14.00	N
20106968	1987	POWER WINDOW SWITCH 4-Button, RV Body Style	\$19.00	N
20043940	1988	POWER WINDOW SWITCH 1-Button, RV Body Style	\$9.00	N
20061549	1988	POWER WINDOW SWITCH 2-Button, RV Body Style	\$14.00	N
20106968	1988	POWER WINDOW SWITCH 4-Button, RV Body Style	\$19.00	N
20043940	1989	POWER WINDOW SWITCH 1-Button, RV Body Style	\$9.00	N
20061549	1989	POWER WINDOW SWITCH 2-Button, RV Body Style	\$14.00	N
20106968	1989	POWER WINDOW SWITCH 4-Button, RV Body Style	\$19.00	N
20043940	1990	POWER WINDOW SWITCH 1-Button, RV Body Style	\$9.00	N
20061549	1990	POWER WINDOW SWITCH 2-Button, RV Body Style	\$14.00	N
20106968	1990	POWER WINDOW SWITCH 4-Button, RV Body Style	\$19.00	N
20043940	1991	POWER WINDOW SWITCH 1-Button, RV Body Style	\$9.00	N
20061549	1991	POWER WINDOW SWITCH 2-Button, RV Body Style	\$14.00	N
20106968	1991	POWER WINDOW SWITCH 4-Button, RV Body Style	\$19.00	N
PRINTED CIRCUIT BOARD				
06290459	1967	PRINTED CIRCUIT BOARD With Gauges And Tach	\$42.00	N
06290458	1967	PRINTED CIRCUIT BOARD With Gauges, Without Tach	\$42.00	N
06290457	1967	PRINTED CIRCUIT BOARD With Warning Lights	\$42.00	N
06290459	1968	PRINTED CIRCUIT BOARD With Gauges And Tach	\$42.00	N
06290458	1968	PRINTED CIRCUIT BOARD With Gauges, Without Tach	\$42.00	N
06290457	1968	PRINTED CIRCUIT BOARD With Warning Lights	\$42.00	N
06290459	1969	PRINTED CIRCUIT BOARD With Gauges And Tach	\$42.00	N
06290458	1969	PRINTED CIRCUIT BOARD With Gauges, Without Tach	\$42.00	N
06290457	1969	PRINTED CIRCUIT BOARD With Warning Lights	\$42.00	N
06290459	1970	PRINTED CIRCUIT BOARD With Gauges And Tach	\$42.00	N
06290458	1970	PRINTED CIRCUIT BOARD With Gauges, Without Tach	\$42.00	N
06290457	1970	PRINTED CIRCUIT BOARD With Warning Lights	\$42.00	N
06290459	1971	PRINTED CIRCUIT BOARD With Gauges And Tach	\$42.00	N
06290458	1971	PRINTED CIRCUIT BOARD With Gauges, Without Tach	\$42.00	N
06290457	1971	PRINTED CIRCUIT BOARD With Warning Lights	\$42.00	N
06290459	1972	PRINTED CIRCUIT BOARD With Gauges And Tach	\$42.00	N
06290458	1972	PRINTED CIRCUIT BOARD With Gauges, Without Tach	\$42.00	N
06290457	1972	PRINTED CIRCUIT BOARD With Warning Lights	\$42.00	N
25044898	1981	PRINTED CIRCUIT BOARD With Gauges And Tach	\$54.00	N
25044897	1981	PRINTED CIRCUIT BOARD With Gauges, Without Tach	\$54.00	N
25044898	1982	PRINTED CIRCUIT BOARD With Gauges And Tach	\$54.00	N
25044897	1982	PRINTED CIRCUIT BOARD With Gauges, Without Tach	\$54.00	N
25044898	1983	PRINTED CIRCUIT BOARD With Gauges And Tach	\$54.00	N
25044897	1983	PRINTED CIRCUIT BOARD With Gauges, Without Tach	\$54.00	N
25044898	1984	PRINTED CIRCUIT BOARD With Gauges And Tach	\$54.00	N

Part Number	Year	Description	Price	*Rev.
25044897	1984	PRINTED CIRCUIT BOARD With Gauges, Without Tach	\$54.00	N
25044898	1985	PRINTED CIRCUIT BOARD With Gauges And Tach	\$54.00	N
25044897	1985	PRINTED CIRCUIT BOARD With Gauges, Without Tach	\$54.00	N
25044898	1986	PRINTED CIRCUIT BOARD With Gauges And Tach	\$54.00	N
25044897	1986	PRINTED CIRCUIT BOARD With Gauges, Without Tach	\$54.00	N
25044898	1987	PRINTED CIRCUIT BOARD With Gauges And Tach Note: For RV Model Square Body Style.	\$54.00	N
25044897	1987	PRINTED CIRCUIT BOARD With Gauges, Without Tach Note: For RV Model Square Body Style.	\$54.00	N
RADIO POWER WIRE				
39578	1960	RADIO POWER WIRE	\$26.00	
39578	1961	RADIO POWER WIRE	\$26.00	
39578	1962	RADIO POWER WIRE	\$26.00	
39578	1963	RADIO POWER WIRE	\$26.00	
39578	1964	RADIO POWER WIRE	\$26.00	
39578	1965	RADIO POWER WIRE	\$26.00	
39578	1966	RADIO POWER WIRE	\$26.00	
32120	1967	RADIO POWER WIRE	\$23.00	
32120	1968	RADIO POWER WIRE	\$23.00	
32120	1969	RADIO POWER WIRE	\$23.00	
32120	1970	RADIO POWER WIRE	\$23.00	
32120	1971	RADIO POWER WIRE	\$23.00	
32120	1972	RADIO POWER WIRE	\$23.00	
39708	1973	RADIO POWER WIRE Fuse Box To Radio, Except Stereo	\$53.00	M
39708	1974	RADIO POWER WIRE Fuse Box To Radio, Except Stereo	\$53.00	M
REAR BODY LIGHT HARNESS KIT				
38166	1957	REAR BODY LIGHT HARNESS KIT Complete, Cameo Only	\$374.00	
REAR FENDER MARKER LAMP HARNESS				
39742	1973	REAR FENDER MARKER LAMP HARNESS Dually, With Rear Fender Marker Lamps	\$219.00	M
39742	1974	REAR FENDER MARKER LAMP HARNESS Dually, With Rear Fender Marker Lamps	\$219.00	M
39742	1975	REAR FENDER MARKER LAMP HARNESS Dually, With Rear Fender Marker Lamps	\$219.00	M
39742	1976	REAR FENDER MARKER LAMP HARNESS Dually, With Rear Fender Marker Lamps	\$219.00	M
39742	1977	REAR FENDER MARKER LAMP HARNESS Dually, With Rear Fender Marker Lamps	\$219.00	M
39742	1978	REAR FENDER MARKER LAMP HARNESS Dually, With Rear Fender Marker Lamps	\$219.00	M
REAR LAMP HARNESS				
38158	1955	REAR BODY LIGHT HARNESS KIT Complete, Cameo Only	\$374.00	
23135	1955	REAR LAMP HARNESS Single Tail & Brake Lights Only	\$59.00	
34370	1955	REAR LAMP HARNESS Dual Tail, Brake & Directional Lights	\$149.00	
34370	1955	REAR LAMP HARNESS Dual Tail, Brake & Directional Lights	\$149.00	
34155	1955	REAR LAMP LONG BED EXTENSION HARNESS Set Of 2	\$28.00	
38164	1956	REAR BODY LIGHT HARNESS KIT Complete, Cameo Only	\$389.00	
23135	1956	REAR LAMP HARNESS Single Tail & Brake Lights Only	\$59.00	
34350	1956	REAR LAMP HARNESS Dual Tail, Brake & Directional Lights	\$149.00	
34155	1956	REAR LAMP LONG BED EXTENSION HARNESS Set Of 2	\$28.00	
34345	1957	REAR LAMP HARNESS Single Tail & Brake Lamps	\$59.00	
34150	1957	REAR LAMP HARNESS Dual Tail, Brake & Directional Lights	\$134.00	

Part Number	Year	Description	Price	*Rev.
34155	1957	REAR LAMP LONG BED EXTENSION HARNESS Set Of 2	\$28.00	
38166	1958	REAR BODY LIGHT HARNESS KIT Complete, Cameo Only	\$374.00	
34345	1958	REAR LAMP HARNESS Single Tail & Brake Lamps	\$59.00	
34150	1958	REAR LAMP HARNESS Dual Tail, Brake & Directional Lights	\$134.00	
34155	1958	REAR LAMP LONG BED EXTENSION HARNESS Set Of 2	\$28.00	
34345	1959	REAR LAMP HARNESS Single Tail & Brake Lamps	\$59.00	
34150	1959	REAR LAMP HARNESS Dual Tail, Brake & Directional Lights	\$134.00	
34155	1959	REAR LAMP LONG BED EXTENSION HARNESS Set Of 2	\$28.00	
02955	1960	REAR LAMP INTERMEDIATE HARNESS	\$108.00	
40151	1960	REAR LAMP HARNESS Rear, Fleetside	\$128.00	
42290	1960	REAR LAMP HARNESS Rear, Stepside, 2 Wheel Drive	\$128.00	
42291	1960	REAR LAMP HARNESS Rear, Stepside, 4 Wheel Drive	\$128.00	
02955	1961	REAR LAMP INTERMEDIATE HARNESS	\$108.00	
40151	1961	REAR LAMP HARNESS Rear, Fleetside	\$128.00	
42290	1961	REAR LAMP HARNESS Rear, Stepside, 2 Wheel Drive	\$128.00	
42291	1961	REAR LAMP HARNESS Rear, Stepside, 4 Wheel Drive	\$128.00	
19945	1962	REAR LAMP INTERMEDIATE HARNESS	\$122.00	
30845	1962	REAR LAMP HARNESS Rear, Fleetside & Stepside	\$97.00	
40867	1962	REAR LAMP HARNESS Rear, Suburban & C10 Panel	\$97.00	
19945	1963	REAR LAMP INTERMEDIATE HARNESS	\$122.00	
30845	1963	REAR LAMP HARNESS Rear, Fleetside & Stepside	\$97.00	
40867	1963	REAR LAMP HARNESS Rear, Suburban & C10 Panel	\$97.00	
19945	1964	REAR LAMP INTERMEDIATE HARNESS	\$122.00	
30845	1964	REAR LAMP HARNESS Rear, Fleetside & Stepside	\$97.00	
40867	1964	REAR LAMP HARNESS Rear, Suburban & C10 Panel	\$97.00	
19945	1965	REAR LAMP INTERMEDIATE HARNESS	\$122.00	
30845	1965	REAR LAMP HARNESS Rear, Fleetside & Stepside	\$97.00	
40867	1965	REAR LAMP HARNESS Rear, Suburban & C10 Panel	\$97.00	
19945	1966	REAR LAMP INTERMEDIATE HARNESS	\$122.00	
30845	1966	REAR LAMP HARNESS Rear, Fleetside & Stepside	\$97.00	
40867	1966	REAR LAMP HARNESS Rear, Suburban & C10 Panel	\$97.00	
21965	1967	REAR LAMP INTERMEDIATE HARNESS 104-115 In. Wheelbase, Fleetside & Stepside	\$107.00	
22005	1967	REAR LAMP INTERMEDIATE HARNESS 127-133 In. Wheelbase, Fleetside & Stepside	\$115.00	
36235	1967	REAR LAMP INTERMEDIATE HARNESS Panel & Suburban Only	\$224.00	
21855	1967	REAR LAMP HARNESS Rear, Fleetside	\$128.00	
36852	1967	REAR LAMP HARNESS Rear, Stepside	\$128.00	
21975	1967	REAR LAMP HARNESS Rear, Panel & Suburban, (2 Required Per Vehicle)	\$68.00	
21965	1968	REAR LAMP INTERMEDIATE HARNESS 104-115 In. Wheelbase, Fleetside & Stepside	\$107.00	
22005	1968	REAR LAMP INTERMEDIATE HARNESS 127-133 In. Wheelbase, Fleetside & Stepside	\$115.00	
36235	1968	REAR LAMP INTERMEDIATE HARNESS Panel & Suburban Only	\$224.00	
21855	1968	REAR LAMP HARNESS Rear, Fleetside	\$128.00	
23450	1968	REAR LAMP HARNESS Rear, Stepside (6 1/2 Foot Bed)	\$120.00	
37004	1968	REAR LAMP HARNESS Rear, Stepside (8 Foot Bed)	\$158.00	
21975	1968	REAR LAMP HARNESS Rear, Panel & Suburban, (2 Required Per Vehicle)	\$68.00	
21965	1969	REAR LAMP INTERMEDIATE HARNESS 104-115 In. Wheelbase, Blazer, Fleetside & Stepside	\$107.00	
22005	1969	REAR LAMP INTERMEDIATE HARNESS 127-133 In. Wheelbase, Fleetside & Stepside	\$115.00	
36235	1969	REAR LAMP INTERMEDIATE HARNESS Panel & Suburban Only	\$224.00	

Part Number	Year	Description	Price	*Rev.
22075	1969	REAR LAMP HARNESS Rear, Blazer & Fleetside	\$158.00	
16095	1969	REAR LAMP HARNESS Rear, Stepside	\$158.00	
21905	1969	REAR LAMP HARNESS Rear, Panel & Suburban, (2 Required Per Vehicle)	\$44.00	
21965	1970	REAR LAMP INTERMEDIATE HARNESS 104-115 In. Wheelbase, Blazer, Fleetside & Stepside	\$107.00	
22005	1970	REAR LAMP INTERMEDIATE HARNESS 127-133 In. Wheelbase, Fleetside & Stepside	\$115.00	
36234	1970	REAR LAMP INTERMEDIATE HARNESS Panel & Suburban Only	\$224.00	
22075	1970	REAR LAMP HARNESS Rear, Blazer & Fleetside	\$158.00	
16095	1970	REAR LAMP HARNESS Rear, Stepside	\$158.00	
21905	1970	REAR LAMP HARNESS Rear, Panel & Suburban, (2 Required Per Vehicle)	\$44.00	
21965	1971	REAR LAMP INTERMEDIATE HARNESS 104-115 In. Wheelbase, Blazer, Fleetside & Stepside	\$107.00	
22005	1971	REAR LAMP INTERMEDIATE HARNESS 127-133 In. Wheelbase, Fleetside & Stepside	\$115.00	
36234	1971	REAR LAMP INTERMEDIATE HARNESS Panel & Suburban Only	\$224.00	
22075	1971	REAR LAMP HARNESS Rear, Blazer & Fleetside	\$158.00	
16095	1971	REAR LAMP HARNESS Rear, Stepside	\$158.00	
21905	1971	REAR LAMP HARNESS Rear, Panel & Suburban, (2 Required Per Vehicle)	\$44.00	
21965	1972	REAR LAMP INTERMEDIATE HARNESS 104-115 In. Wheelbase, Blazer, Fleetside & Stepside	\$107.00	
22005	1972	REAR LAMP INTERMEDIATE HARNESS 127-133 In. Wheelbase, Fleetside & Stepside	\$115.00	
36234	1972	REAR LAMP INTERMEDIATE HARNESS Panel & Suburban Only	\$224.00	
22075	1972	REAR LAMP HARNESS Rear, Blazer & Fleetside	\$158.00	
16095	1972	REAR LAMP HARNESS Rear, Stepside	\$158.00	
21905	1972	REAR LAMP HARNESS Rear, Panel & Suburban, (2 Required Per Vehicle)	\$44.00	
39304	1973	REAR LAMP INTERMEDIATE HARNESS Blazer & Jimmy	\$209.00	M
38412	1973	REAR LAMP INTERMEDIATE HARNESS Fleetside & Stepside Bed, With 117.5 In. Wheel Base	\$118.00	M
38413	1973	REAR LAMP INTERMEDIATE HARNESS Fleetside & Stepside Bed, With 131.5 In. & 164.5 In. Wheel Base	\$120.00	M
39710	1973	REAR LAMP INTERMEDIATE HARNESS Suburban	\$143.00	M
39711	1973	REAR LAMP INTERMEDIATE HARNESS 2 Door, 1-Ton, Without Bed, With 159.5 In. Wheel Base	\$143.00	M
39712	1973	REAR LAMP INTERMEDIATE HARNESS 4 Door, 3/4 & 1-Ton, Without Bed, With 164.5 In. Wheel Base	\$143.00	M
35902	1973	REAR LAMP HARNESS Rear, Stepside, Except 117.5 In. Wheel Base	\$248.00	M
37624	1973	REAR LAMP HARNESS Rear, Stepside, With 117.5 In. Wheel Base	\$248.00	M
37464	1973	REAR LAMP HARNESS Rear, 2 Door, Without Bed, With 117.5 In. Wheel Base	\$248.00	M
37465	1973	REAR LAMP HARNESS Rear, 2 & 4 Door, 3/4 & 1-Ton, Without Bed, With 131.5 In. & 164.5 In. Wheel Base	\$248.00	M
35903	1973	REAR LAMP HARNESS Rear, 2 Door, 1-Ton, Without Bed, With 135.5 & 159.5 In. Wheel Base	\$248.00	M
35904	1973	REAR LAMP HARNESS Rear, Blazer & Jimmy, (2 Required Per Vehicle)	\$143.00	M
37470	1973	REAR LAMP HARNESS Rear, Fleetside	\$248.00	M
39747	1973	REAR LAMP HARNESS Rear, Suburban, Driver Side	\$143.00	M
35906	1973	REAR LAMP HARNESS Rear, Suburban, Passenger Side	\$143.00	M
35905	1973	REAR LAMP HARNESS Rear, Fleetside, With Camper Special Option	\$314.00	M
39304	1974	REAR LAMP INTERMEDIATE HARNESS Blazer & Jimmy	\$209.00	M
38412	1974	REAR LAMP INTERMEDIATE HARNESS Fleetside & Stepside Bed, With 117.5 In. Wheel Base	\$118.00	M
38413	1974	REAR LAMP INTERMEDIATE HARNESS Fleetside & Stepside Bed, With 131.5 In. & 164.5 In. Wheel Base	\$120.00	M
39711	1974	REAR LAMP INTERMEDIATE HARNESS 2 Door, 1-Ton, Without Bed, With 159.5 In. Wheel Base	\$143.00	M
39712	1974	REAR LAMP INTERMEDIATE HARNESS 4 Door, 3/4 & 1-Ton, Without Bed, With 164.5 In. Wheel Base	\$143.00	M
39772	1974	REAR LAMP INTERMEDIATE HARNESS Suburban	\$143.00	M
35902	1974	REAR LAMP HARNESS Rear, Stepside, Except 117.5 In. Wheel Base	\$248.00	M
37624	1974	REAR LAMP HARNESS Rear, Stepside, With 117.5 In. Wheel Base	\$248.00	M

Part Number	Year	Description	Price	*Rev.
35903	1974	REAR LAMP HARNESS Rear, 2 Door, 1-Ton, Without Bed, With 135.5 & 159.5 In. Wheel Base	\$248.00	M
35904	1974	REAR LAMP HARNESS Rear, Blazer & Jimmy, (2 Required Per Vehicle)	\$143.00	M
37470	1974	REAR LAMP HARNESS Rear, Fleetside	\$248.00	M
39747	1974	REAR LAMP HARNESS Rear, Suburban, Driver Side	\$143.00	M
35906	1974	REAR LAMP HARNESS Rear, Suburban, Passenger Side	\$143.00	M
35905	1974	REAR LAMP HARNESS Rear, Fleetside, With Camper Special Option, (1st Design), Except Rear Fender Marker Lamp Wiring	\$314.00	M
35976	1974	REAR LAMP HARNESS Rear, Fleetside, With Camper Special Option, (2nd Design), With Rear Fender Marker Lamp Wiring	\$314.00	M
39778	1975	REAR LAMP INTERMEDIATE HARNESS Blazer & Jimmy	\$209.00	M
39779	1975	REAR LAMP INTERMEDIATE HARNESS Fleetside & Stepside Bed, With 117.5 In. Wheel Base	\$209.00	M
39780	1975	REAR LAMP INTERMEDIATE HARNESS Fleetside & Stepside Bed, With 131.5 In. & 164.5 In. Wheel Base	\$209.00	M
39781	1975	REAR LAMP INTERMEDIATE HARNESS 2 Door, 1-Ton, Without Bed, With 159.5 In. Wheel Base	\$209.00	M
39782	1975	REAR LAMP INTERMEDIATE HARNESS 4 Door, 3/4 & 1-Ton, Without Bed, With 164.5 In. Wheel Base	\$209.00	M
39783	1975	REAR LAMP INTERMEDIATE HARNESS Suburban	\$268.00	M
35902	1975	REAR LAMP HARNESS Rear, Stepside, Except 117.5 In. Wheel Base	\$248.00	M
37624	1975	REAR LAMP HARNESS Rear, Stepside, With 117.5 In. Wheel Base	\$248.00	M
37464	1975	REAR LAMP HARNESS Rear, 2 Door, Without Bed, With 117.5 In. Wheel Base	\$248.00	M
37465	1975	REAR LAMP HARNESS Rear, 2 & 4 Door, 3/4 & 1-Ton, Without Bed, With 131.5 In. & 164.5 In. Wheel Base	\$248.00	M
35903	1975	REAR LAMP HARNESS Rear, 2 Door, 1-Ton, Without Bed, With 135.5 & 159.5 In. Wheel Base	\$248.00	M
35904	1975	REAR LAMP HARNESS Rear, Blazer & Jimmy, (2 Required Per Vehicle)	\$143.00	M
35905	1975	REAR LAMP HARNESS Rear, Fleetside, With Camper Special Option	\$314.00	M
37470	1975	REAR LAMP HARNESS Rear, Fleetside	\$248.00	M
39747	1975	REAR LAMP HARNESS Rear, Suburban, Driver Side	\$143.00	M
35906	1975	REAR LAMP HARNESS Rear, Suburban, Passenger Side	\$143.00	M
39806	1976	REAR LAMP INTERMEDIATE HARNESS Fleetside & Stepside Bed, With 117.5 In. Wheel Base	\$194.00	M
39807	1976	REAR LAMP INTERMEDIATE HARNESS Fleetside & Stepside Bed, With 131.5 In. & 135.5 In. Wheel Base	\$194.00	M
39809	1976	REAR LAMP INTERMEDIATE HARNESS Blazer & Jimmy	\$268.00	M
35907	1976	REAR LAMP INTERMEDIATE HARNESS Suburban, Except 40 Gal. Gas Tank Option	\$268.00	M
37657	1976	REAR LAMP INTERMEDIATE HARNESS 1-Ton, Stakebed & Flatbed, With 159.5 Wheel Base	\$194.00	M
37658	1976	REAR LAMP INTERMEDIATE HARNESS 4 Door, 3/4 & 1-Ton, Without Bed, With 164.5 In. Wheel Base	\$209.00	M
39810	1976	REAR LAMP INTERMEDIATE HARNESS Suburban, With 40 Gal. Gas Tank Option	\$268.00	M
35902	1976	REAR LAMP HARNESS Rear, Stepside, Except 117.5 In. Wheel Base	\$248.00	M
37624	1976	REAR LAMP HARNESS Rear, Stepside, With 117.5 In. Wheel Base	\$248.00	M
37464	1976	REAR LAMP HARNESS Rear, 2 Door, Without Bed, With 117.5 In. Wheel Base	\$248.00	M
37465	1976	REAR LAMP HARNESS Rear, 2 & 4 Door, 3/4 & 1-Ton, Without Bed, With 131.5 In. & 164.5 In. Wheel Base	\$248.00	M
35903	1976	REAR LAMP HARNESS Rear, 2 Door, 1-Ton, Without Bed, With 135.5 & 159.5 In. Wheel Base	\$248.00	M
35904	1976	REAR LAMP HARNESS Rear, Blazer & Jimmy, (2 Required Per Vehicle)	\$143.00	M
35905	1976	REAR LAMP HARNESS Rear, 1-Ton Fleetside Bed, With Dual Rear Wheels	\$314.00	M
37470	1976	REAR LAMP HARNESS Rear, Fleetside	\$248.00	M
39747	1976	REAR LAMP HARNESS Rear, Suburban, Passenger Side	\$143.00	M
35906	1976	REAR LAMP HARNESS Rear, Suburban, Driver Side	\$143.00	M
38394	1977	REAR LAMP INTERMEDIATE HARNESS Fleetside & Stepside, With 117.5 In. Wheel Base & Heavy Duty Chassis	\$194.00	M

Part Number	Year	Description	Price	*Rev.
39382	1977	REAR LAMP INTERMEDIATE HARNESS Fleetside & Stepside, With 131.5 In. Wheel Base	\$194.00	M
39818	1977	REAR LAMP INTERMEDIATE HARNESS Fleetside & Stepside, With 117.5 In. Wheel Base, Except Heavy Duty Chassis	\$194.00	M
39819	1977	REAR LAMP INTERMEDIATE HARNESS Fleetside & Stepside, 1-Ton With 135.5 In. Wheel Base	\$194.00	M
39820	1977	REAR LAMP INTERMEDIATE HARNESS 2 Door, 1-Ton, With 159.5 In. Wheel Base	\$194.00	M
39821	1977	REAR LAMP INTERMEDIATE HARNESS 4 Door Truck, 3/4 & 1-Ton	\$194.00	M
39822	1977	REAR LAMP INTERMEDIATE HARNESS Suburban	\$268.00	M
37623	1977	REAR LAMP INTERMEDIATE HARNESS Blazer & Jimmy	\$268.00	M
35902	1977	REAR LAMP HARNESS Rear, Stepside, Except 117.5 In. Wheel Base	\$248.00	M
37624	1977	REAR LAMP HARNESS Rear, Stepside, With 117.5 In. Wheel Base	\$248.00	M
35904	1977	REAR LAMP HARNESS Rear, Blazer & Jimmy, (2 Required Per Vehicle)	\$143.00	M
35905	1977	REAR LAMP HARNESS Rear, 1-Ton Fleetside Bed, With Dual Rear Wheels	\$314.00	M
37470	1977	REAR LAMP HARNESS Rear, Fleetside	\$248.00	M
39823	1977	REAR LAMP HARNESS Rear, Suburban, (2 Required Per Vehicle)	\$143.00	M
39828	1977	REAR LAMP HARNESS Rear, 2 & 4 Door, Without Bed, With 117.5, 131.5, & 164.5 In. Wheel Base	\$248.00	M
35908	1977	REAR LAMP HARNESS Rear, 2 Door, Without Bed, With 131.5, 135.5, & 159.5 In. Wheel Base	\$248.00	M
35914	1977	REAR LAMP HARNESS Rear, 1-Ton, Stakebed & Flatbed, With 135.5 In. Wheel Base	\$248.00	M
38394	1978	REAR LAMP INTERMEDIATE HARNESS Fleetside & Stepside, With 117.5 In. Wheel Base & Heavy Duty Chassis	\$194.00	M
39382	1978	REAR LAMP INTERMEDIATE HARNESS Fleetside & Stepside, With 131.5 In. Wheel Base & Heavy Duty Chassis	\$194.00	M
39818	1978	REAR LAMP INTERMEDIATE HARNESS Fleetside & Stepside, With 117.5 In. Wheel Base, Except Heavy Duty Chassis	\$194.00	M
39819	1978	REAR LAMP INTERMEDIATE HARNESS Fleetside & Stepside, 1/2-Ton With 131.5 In. Wheel Base & 1-Ton With 135.5 In. Wheel Base	\$194.00	M
39820	1978	REAR LAMP INTERMEDIATE HARNESS 2 Door, 1-Ton, With 159.5 In. Wheel Base	\$194.00	M
39821	1978	REAR LAMP INTERMEDIATE HARNESS 4 Door Truck, 3/4 & 1-Ton	\$194.00	M
39822	1978	REAR LAMP INTERMEDIATE HARNESS Suburban, Without California Emission Option	\$268.00	M
37623	1978	REAR LAMP INTERMEDIATE HARNESS Blazer & Jimmy	\$268.00	M
35913	1978	REAR LAMP INTERMEDIATE HARNESS Suburban, With California Emission Option	\$268.00	M
35902	1978	REAR LAMP HARNESS Rear, Stepside, Except 117.5 In. Wheel Base	\$248.00	M
37624	1978	REAR LAMP HARNESS Rear, Stepside, With 117.5 In. Wheel Base	\$248.00	M
35904	1978	REAR LAMP HARNESS Rear, Blazer & Jimmy, (2 Required Per Vehicle)	\$143.00	M
35905	1978	REAR LAMP HARNESS Rear, 1-Ton Fleetside Bed, With Dual Rear Wheels	\$314.00	M
37470	1978	REAR LAMP HARNESS Rear, Fleetside	\$248.00	M
39823	1978	REAR LAMP HARNESS Rear, Suburban, (2 Required Per Vehicle)	\$143.00	M
39828	1978	REAR LAMP HARNESS Rear, 2 & 4 Door, Without Bed, With 117.5, 131.5, & 164.5 In. Wheel Base	\$248.00	M
35908	1978	REAR LAMP HARNESS Rear, 2 Door, Without Bed, With 135.5, & 159.5 In. Wheel Base	\$248.00	M
35914	1978	REAR LAMP HARNESS Rear, 1-Ton, Stakebed & Flatbed, With 135.5 In. Wheel Base	\$248.00	M
39818	1979	REAR LAMP INTERMEDIATE HARNESS Fleetside & Stepside, With 117.5 In. Wheel Base, Except Heavy Duty Chassis	\$194.00	M
38394	1979	REAR LAMP INTERMEDIATE HARNESS Fleetside & Stepside, With 117.5 In. Wheel Base & Heavy Duty Chassis	\$194.00	M
39382	1979	REAR LAMP INTERMEDIATE HARNESS Fleetside & Stepside, With 131.5 In. Wheel Base & Heavy Duty Chassis	\$194.00	M
39819	1979	REAR LAMP INTERMEDIATE HARNESS Fleetside & Stepside, 1/2-Ton With 131.5 In. Wheel Base & 1-Ton With 135.5 In. Wheel Base	\$194.00	M
39820	1979	REAR LAMP INTERMEDIATE HARNESS 2 Door, 1-Ton, With 159.5 In. Wheel Base	\$194.00	M

Part Number	Year	Description	Price	*Rev.
39821	1979	REAR LAMP INTERMEDIATE HARNESS 4 Door Truck, 3/4 & 1-Ton	\$194.00	M
39822	1979	REAR LAMP INTERMEDIATE HARNESS Suburban, Without California Emission Option	\$268.00	M
35913	1979	REAR LAMP INTERMEDIATE HARNESS Suburban, With California Emission Option	\$268.00	M
39908	1979	REAR LAMP INTERMEDIATE HARNESS Blazer & Jimmy	\$268.00	M
35904	1979	REAR LAMP HARNESS Rear, Blazer & Jimmy, (2 Required Per Vehicle)	\$143.00	M
37470	1979	REAR LAMP HARNESS Rear, Fleetside	\$248.00	M
39823	1979	REAR LAMP HARNESS Rear, Suburban, (2 Required Per Vehicle)	\$143.00	M
39828	1979	REAR LAMP HARNESS Rear, 2 & 4 Door, Without Bed, With 117.5, 131.5, & 164.5 In. Wheel Base	\$248.00	M
35908	1979	REAR LAMP HARNESS Rear, 2 Door, Without Bed, With 135.5, & 159.5 In. Wheel Base	\$248.00	M
35914	1979	REAR LAMP HARNESS Rear, 1-Ton, Stakebed & Flatbed, With 135.5 In. Wheel Base	\$248.00	M
39898	1979	REAR LAMP HARNESS Rear, 1-Ton Fleetside Bed, With Dual Rear Wheels	\$248.00	M
38881	1979	REAR LAMP HARNESS Rear, Stepside	\$165.00	M
39382	1980	REAR LAMP INTERMEDIATE HARNESS Fleetside & Stepside, With 131.5 In. Wheel Base & Heavy Duty Chassis	\$194.00	M
39819	1980	REAR LAMP INTERMEDIATE HARNESS Fleetside & Stepside, 1-Ton With 135.5 In. Wheel Base	\$194.00	M
39820	1980	REAR LAMP INTERMEDIATE HARNESS 2 Door, 1-Ton, With 159.5 In. Wheel Base	\$194.00	M
39821	1980	REAR LAMP INTERMEDIATE HARNESS 4 Door Truck, 3/4 & 1-Ton	\$194.00	M
39913	1980	REAR LAMP INTERMEDIATE HARNESS Suburban, Without California Emission Option	\$268.00	M
39914	1980	REAR LAMP INTERMEDIATE HARNESS Suburban, With California Emission Option	\$268.00	M
39915	1980	REAR LAMP INTERMEDIATE HARNESS Fleetside & Stepside, With 117.5 In. Wheel Base	\$194.00	M
39916	1980	REAR LAMP INTERMEDIATE HARNESS Fleetside & Stepside, With 131.5 In. Wheel Base	\$194.00	M
39917	1980	REAR LAMP INTERMEDIATE HARNESS Blazer & Jimmy	\$268.00	M
35904	1980	REAR LAMP HARNESS Rear, Blazer & Jimmy, (2 Required Per Vehicle)	\$143.00	M
37470	1980	REAR LAMP HARNESS Rear, Fleetside	\$248.00	M
39823	1980	REAR LAMP HARNESS Rear, Suburban, (2 Required Per Vehicle)	\$143.00	M
39828	1980	REAR LAMP HARNESS Rear, 2 & 4 Door, Without Bed, With 117.5, 131.5, & 164.5 In. Wheel Base	\$248.00	M
35908	1980	REAR LAMP HARNESS Rear, 2 Door, Without Bed, With 135.5, & 159.5 In. Wheel Base	\$248.00	M
35914	1980	REAR LAMP HARNESS Rear, 1-Ton, Stakebed & Flatbed, With 135.5 In. Wheel Base	\$248.00	M
39898	1980	REAR LAMP HARNESS Rear, 1-Ton Fleetside Bed, With Dual Rear Wheels	\$248.00	M
38881	1980	REAR LAMP HARNESS Rear, Stepside	\$165.00	M
38394	1981	REAR LAMP INTERMEDIATE HARNESS Fleetside & Stepside, With 350 Diesel & 117.5 In. Wheel Base	\$194.00	M
39382	1981	REAR LAMP INTERMEDIATE HARNESS Fleetside & Stepside, 2 Wheel Drive 1/2 Ton, With 350 Diesel, & All 4 Wheel Drives, With 131.5 In. Wheel Base & Heavy Duty	\$194.00	M
39913	1981	REAR LAMP INTERMEDIATE HARNESS Suburban, Without California Emission Option	\$268.00	M
39914	1981	REAR LAMP INTERMEDIATE HARNESS Suburban, With California Emission Option	\$268.00	M
39915	1981	REAR LAMP INTERMEDIATE HARNESS Fleetside & Stepside, With 117.5 In. Wheel Base	\$194.00	M
39916	1981	REAR LAMP INTERMEDIATE HARNESS Fleetside & Stepside, With 131.5 In. Wheel Base	\$194.00	M
39917	1981	REAR LAMP INTERMEDIATE HARNESS Blazer & Jimmy	\$268.00	M
39986	1981	REAR LAMP INTERMEDIATE HARNESS 2 Door, 1-Ton, With 135.5 In. Wheel Base	\$194.00	M
39987	1981	REAR LAMP INTERMEDIATE HARNESS 2 Door, 1-Ton, With 159.5 In. Wheel Base	\$194.00	M
39988	1981	REAR LAMP INTERMEDIATE HARNESS 4 Door, 3/4 & 1-Ton, With 164.5 In. Wheel Base	\$194.00	M
35904	1981	REAR LAMP HARNESS Rear, Blazer & Jimmy, (2 Required Per Vehicle)	\$143.00	M
37470	1981	REAR LAMP HARNESS Rear, Fleetside	\$248.00	M
39823	1981	REAR LAMP HARNESS Rear, Suburban, (2 Required Per Vehicle)	\$143.00	M
39828	1981	REAR LAMP HARNESS Rear, 2 & 4 Door, Without Bed, With 117.5, 131.5, & 164.5 In. Wheel Base	\$248.00	M

Part Number	Year	Description	Price	*Rev.
35908	1981	REAR LAMP HARNESS Rear, 2 Door, Without Bed, With 135.5, & 159.5 In. Wheel Base	\$248.00	M
35914	1981	REAR LAMP HARNESS Rear, 1-Ton, Stakebed & Flatbed, With 135.5 In. Wheel Base	\$248.00	M
38881	1981	REAR LAMP HARNESS Rear, Stepside	\$165.00	M
39991	1981	REAR LAMP HARNESS Rear, 1-Ton Fleetside Bed, With Dual Rear Wheels	\$248.00	M
38394	1982	REAR LAMP INTERMEDIATE HARNESS Fleetside & Stepside, With 350 Diesel & 117.5 In. Wheel Base	\$194.00	M
39382	1982	REAR LAMP INTERMEDIATE HARNESS Fleetside & Stepside, 2 Wheel Drive 1/2 Ton, With 350 Diesel, & All 4 Wheel Drives, With 131.5 In. Wheel Base & Heavy Duty	\$194.00	M
39913	1982	REAR LAMP INTERMEDIATE HARNESS Suburban, Without California Emission Option	\$268.00	M
39914	1982	REAR LAMP INTERMEDIATE HARNESS Suburban, With California Emission Option	\$268.00	M
39915	1982	REAR LAMP INTERMEDIATE HARNESS Fleetside & Stepside, With 117.5 In. Wheel Base	\$194.00	M
39916	1982	REAR LAMP INTERMEDIATE HARNESS Fleetside & Stepside, With 131.5 In. Wheel Base	\$194.00	M
39917	1982	REAR LAMP INTERMEDIATE HARNESS Blazer & Jimmy	\$268.00	M
39986	1982	REAR LAMP INTERMEDIATE HARNESS 2 Door, 1-Ton, With 135.5 In. Wheel Base	\$194.00	M
39987	1982	REAR LAMP INTERMEDIATE HARNESS 2 Door, 1-Ton, With 159.5 In. Wheel Base	\$194.00	M
39988	1982	REAR LAMP INTERMEDIATE HARNESS 4 Door, 3/4 & 1-Ton, With 164.5 In. Wheel Base	\$194.00	M
35904	1982	REAR LAMP HARNESS Rear, Blazer & Jimmy, (2 Required Per Vehicle)	\$143.00	M
37470	1982	REAR LAMP HARNESS Rear, Fleetside	\$248.00	M
39823	1982	REAR LAMP HARNESS Rear, Suburban, (2 Required Per Vehicle)	\$143.00	M
39828	1982	REAR LAMP HARNESS Rear, 2 & 4 Door, Without Bed, With 117.5, 131.5, & 164.5 In. Wheel Base	\$248.00	M
35908	1982	REAR LAMP HARNESS Rear, 2 Door, Without Bed, With 135.5, & 159.5 In. Wheel Base	\$248.00	M
35914	1982	REAR LAMP HARNESS Rear, 1-Ton, Stakebed & Flatbed, With 135.5 In. Wheel Base	\$248.00	M
38881	1982	REAR LAMP HARNESS Rear, Stepside	\$165.00	M
39991	1982	REAR LAMP HARNESS Rear, 1-Ton Fleetside Bed, With Dual Rear Wheels	\$248.00	M
REAR LICENSE PLATE AND FUEL TANK HARNESS				
36237	1967	REAR LICENSE PLATE AND FUEL TANK HARNESS Panel & Suburban Only	\$54.00	
36237	1968	REAR LICENSE PLATE AND FUEL TANK HARNESS Panel & Suburban Only	\$54.00	
36237	1969	REAR LICENSE PLATE AND FUEL TANK HARNESS Panel & Suburban Only	\$54.00	
36237	1970	REAR LICENSE PLATE AND FUEL TANK HARNESS Panel & Suburban Only	\$54.00	
36237	1971	REAR LICENSE PLATE AND FUEL TANK HARNESS Panel & Suburban Only	\$54.00	
36237	1972	REAR LICENSE PLATE AND FUEL TANK HARNESS Panel & Suburban Only	\$54.00	
REAR MARKER LAMP HARNESS				
39834	1977	REAR MARKER LAMP HARNESS 2 Door, 3/4 Ton, With Stakebed & Flatbed, Tail Lamp Harness To Rear Marker Lamps	\$101.00	M
39835	1977	REAR MARKER LAMP HARNESS 2 Door, 1-Ton, With 135.5 In. Wheel Base, With Stakebed & Flatbed, Tail Lamp Harness To Rear Marker & Corner Lamps	\$127.00	M
39834	1978	REAR MARKER LAMP HARNESS 2 Door, 3/4 Ton, With Stakebed & Flatbed, Tail Lamp Harness To Rear Marker Lamps	\$101.00	M
39835	1978	REAR MARKER LAMP HARNESS 2 Door, 1-Ton, With 135.5 In. Wheel Base, With Stakebed & Flatbed, Tail Lamp Harness To Rear Marker & Corner Lamps	\$127.00	M
39834	1979	REAR MARKER LAMP HARNESS 2 Door, 3/4 Ton, With Stakebed & Flatbed, Tail Lamp Harness To Rear Marker Lamps	\$101.00	M
39835	1979	REAR MARKER LAMP HARNESS 2 Door, 1-Ton, With 135.5 In. Wheel Base, With Stakebed & Flatbed, Tail Lamp Harness To Rear Marker & Corner Lamps	\$127.00	M
39834	1980	REAR MARKER LAMP HARNESS 2 Door, 3/4 Ton, With Stakebed & Flatbed, Tail Lamp Harness To Rear Marker Lamps	\$101.00	M
39835	1980	REAR MARKER LAMP HARNESS 2 Door, 1-Ton, With 135.5 In. Wheel Base, With Stakebed & Flatbed, Tail Lamp Harness To Rear Marker & Corner Lamps	\$127.00	M
39834	1981	REAR MARKER LAMP HARNESS 2 Door, 3/4 Ton, With Stakebed & Flatbed, Tail Lamp Harness To Rear Marker Lamps	\$101.00	M

Part Number	Year	Description	Price	*Rev.
39835	1981	REAR MARKER LAMP HARNESS 2 Door, 1-Ton, With 135.5 In. Wheel Base, With Stakebed & Flatbed, Tail Lamp Harness To Rear Marker & Corner Lamps	\$127.00	M
39835	1982	REAR MARKER LAMP HARNESS 2 Door, 1-Ton, With 135.5 In. Wheel Base, With Stakebed & Flatbed, Tail Lamp Harness To Rear Marker & Corner Lamps	\$127.00	M
REAR WINDOW DEFROSTER EXTENSION WIRE				
40002	1982	REAR WINDOW DEFROSTER EXTENSION WIRE Suburban, Dash Harness To Tailgate Harness	\$52.00	M
40002	1982	REAR WINDOW DEFROSTER EXTENSION WIRE Suburban, Dash Harness To Tailgate Harness	\$52.00	M
REAR WINDOW DEFROSTER HARNESS				
40003	1982	REAR WINDOW DEFROSTER HARNESS Suburban, Tailgate Harness	\$66.00	M
SIDE MARKER AND LICENSE LAMP HARNESS				
39740	1973	SIDE MARKER AND LICENSE LAMP HARNESS 8ft Stakebed & Flatbed, Without Clearance Lamps	\$101.00	M
39743	1973	SIDE MARKER AND LICENSE LAMP HARNESS 8ft Stakebed & Flatbed, With Clearance Lamps	\$127.00	M
39740	1974	SIDE MARKER AND LICENSE LAMP HARNESS 8ft Stakebed & Flatbed, Without Clearance Lamps	\$101.00	M
39743	1974	SIDE MARKER AND LICENSE LAMP HARNESS 8ft Stakebed & Flatbed, With Clearance Lamps	\$127.00	M
39740	1975	SIDE MARKER AND LICENSE LAMP HARNESS 8ft Stakebed & Flatbed, Without Clearance Lamps	\$101.00	M
39743	1975	SIDE MARKER AND LICENSE LAMP HARNESS 8ft Stakebed & Flatbed, With Clearance Lamps	\$127.00	M
39740	1976	SIDE MARKER AND LICENSE LAMP HARNESS 8ft Stakebed & Flatbed, Without Clearance Lamps	\$101.00	M
39743	1976	SIDE MARKER AND LICENSE LAMP HARNESS 8ft Stakebed & Flatbed, With Clearance Lamps	\$127.00	M
SPEAKER EXTENSION WIRE				
39866	1981	SPEAKER EXTENSION WIRE Suburban, Rear Speaker To Extension Harness (2 Required Per Vehicle)	\$26.00	M
SPEAKER HARNESS				
39709	1973	SPEAKER HARNESS Radio To Center Front Speaker, Except Stereo	\$40.00	M
39726	1973	SPEAKER HARNESS Radio To Front Kick Panel Speakers, With Stereo	\$66.00	M
39749	1973	SPEAKER HARNESS All, Radio To Rear Speakers, With Stereo	\$66.00	M
39709	1974	SPEAKER HARNESS Radio To Center Front Speaker, Except Stereo	\$40.00	M
39749	1974	SPEAKER HARNESS Radio To Rear Speakers, With Stereo	\$66.00	M
39750	1974	SPEAKER HARNESS Radio To Driver Side Kick Panel Speaker	\$66.00	M
39751	1974	SPEAKER HARNESS Radio To Passenger Side Kick Panel Speaker	\$66.00	M
39709	1975	SPEAKER HARNESS Radio To Center Front Speaker, Except Stereo	\$40.00	M
39749	1975	SPEAKER HARNESS Radio To Rear Speakers, With Stereo	\$66.00	M
39794	1975	SPEAKER HARNESS Suburban, Driver Side Rear Speaker	\$66.00	M
39795	1975	SPEAKER HARNESS Suburban, Passenger Side Rear Speaker	\$66.00	M
39709	1976	SPEAKER HARNESS Radio To Center Front Speaker, Except Stereo	\$40.00	M
39749	1976	SPEAKER HARNESS Radio To Rear Speakers, With Stereo	\$66.00	M
39794	1976	SPEAKER HARNESS Suburban, Driver Side Rear Speaker	\$66.00	M
39795	1976	SPEAKER HARNESS Suburban, Passenger Side Rear Speaker	\$66.00	M
39796	1976	SPEAKER HARNESS Suburban, Radio To Rear Speaker Harness, Except Stereo	\$66.00	M
39709	1977	SPEAKER HARNESS Radio To Center Front Speaker, Except Stereo	\$40.00	M
39749	1977	SPEAKER HARNESS Radio To Rear Speakers, With Stereo	\$66.00	M
39794	1977	SPEAKER HARNESS Suburban, Driver Side Rear Speaker	\$66.00	M
39795	1977	SPEAKER HARNESS Suburban, Passenger Side Rear Speaker	\$66.00	M
39796	1977	SPEAKER HARNESS Suburban, Radio To Rear Speaker Harness, Except Stereo	\$66.00	M
39838	1977	SPEAKER HARNESS Suburban, Blazer & Jimmy, Front Section, Radio To Rear Speaker Harness	\$66.00	M
39843	1977	SPEAKER HARNESS Suburban, Rear Section, Radio Harness To Rear Speaker	\$66.00	M
39849	1977	SPEAKER HARNESS Blazer & Jimmy, Rear Section, Radio Harness To Rear Speaker	\$66.00	M

Part Number	Year	Description	Price	*Rev.
39868	1978	SPEAKER HARNESS Radio To Center Front Speaker, Except Stereo	\$40.00	M
39874	1978	SPEAKER HARNESS Suburban, With Rear Auxiliary Speaker	\$66.00	M
39875	1978	SPEAKER HARNESS Blazer & Jimmy, With Rear Auxiliary Speaker	\$66.00	M
39868	1979	SPEAKER HARNESS Radio To Center Front Speaker, Except Stereo	\$40.00	M
39874	1979	SPEAKER HARNESS Suburban, With Rear Auxiliary Speaker	\$66.00	M
39875	1979	SPEAKER HARNESS Blazer & Jimmy, With Rear Auxiliary Speaker	\$66.00	M
40044	1979	SPEAKER HARNESS C.B. Radio To Center Dash Speaker	\$66.00	M
39903	1980	SPEAKER HARNESS All Trucks, With 4 Speaker Stereo System	\$153.00	M
39904	1980	SPEAKER HARNESS Suburban With 4 Speaker Stereo System	\$153.00	M
39905	1980	SPEAKER HARNESS Blazer & Jimmy, With 4 Speaker Stereo System	\$153.00	M
39906	1980	SPEAKER HARNESS All With Front Door Speakers, (2 Required Per Vehicle)	\$66.00	M
39868	1980	SPEAKER HARNESS Radio To Center Front Speaker, Except Stereo	\$40.00	M
39875	1980	SPEAKER HARNESS Blazer & Jimmy, With Rear Auxiliary Speaker	\$66.00	M
39907	1980	SPEAKER HARNESS Suburban, With Rear Auxiliary Speaker	\$66.00	M
40044	1980	SPEAKER HARNESS C.B. Radio To Center Dash Speaker	\$66.00	M
39906	1981	SPEAKER HARNESS All With Front Door Speakers, (2 Required Per Vehicle)	\$66.00	M
39938	1981	SPEAKER HARNESS All Trucks, With 4 Speaker Stereo System	\$153.00	M
39939	1981	SPEAKER HARNESS Suburban, With 4 Speaker Stereo System	\$153.00	M
39940	1981	SPEAKER HARNESS Blazer & Jimmy, With 4 Speaker Stereo System	\$153.00	M
39868	1981	SPEAKER HARNESS Radio To Center Front Speaker, Except Stereo	\$40.00	M
40044	1981	SPEAKER HARNESS C.B. Radio To Center Dash Speaker	\$66.00	M
39954	1981	SPEAKER HARNESS Suburban, With Rear Auxiliary Speaker	\$66.00	M
39955	1981	SPEAKER HARNESS Blazer & Jimmy, With Rear Auxiliary Speaker	\$66.00	M
39938	1982	SPEAKER HARNESS All Trucks, With 4 Speaker Stereo System	\$153.00	M
39940	1982	SPEAKER HARNESS Blazer & Jimmy, With 4 Speaker Stereo System	\$153.00	M
40012	1982	SPEAKER HARNESS Suburban, With 4 Speaker Stereo System	\$153.00	M
39868	1982	SPEAKER HARNESS Radio To Center Front Speaker, Except Stereo	\$40.00	M
40044	1982	SPEAKER HARNESS C.B. Radio To Center Dash Speaker	\$66.00	M
39954	1982	SPEAKER HARNESS Suburban, With Rear Auxiliary Speaker	\$66.00	M
39955	1982	SPEAKER HARNESS Blazer & Jimmy, With Rear Auxiliary Speaker	\$66.00	M
SPEED WARNING HARNESS				
23185	1967	SPEED WARNING HARNESS	\$27.00	
23185	1968	SPEED WARNING HARNESS	\$27.00	
23185	1969	SPEED WARNING HARNESS	\$27.00	
23185	1970	SPEED WARNING HARNESS	\$27.00	
23185	1971	SPEED WARNING HARNESS	\$27.00	
23185	1972	SPEED WARNING HARNESS	\$27.00	
SPEEDOMETER				
44227	1947	SPEEDOMETER 0-80 MPH, White Needle Note: GM Did Not Sell This Gauge Separately, This Speedometer Has A Range From 0-80 Mph With A White Needle.	\$162.00	N
44238	1947	SPEEDOMETER CLUSTER 0-80 MPH, White Needle, Complete Assembly	\$276.00	N
44227	1948	SPEEDOMETER 0-80 MPH, White Needle Note: GM Did Not Sell This Gauge Separately, This Speedometer Has A Range From 0-80 Mph With A White Needle.	\$162.00	N
44238	1948	SPEEDOMETER CLUSTER 0-80 MPH, White Needle, Complete Assembly	\$276.00	N
44227	1949	SPEEDOMETER 0-80 MPH, White Needle Note: GM Did Not Sell This Gauge Separately, This Speedometer Has A Range From 0-80 Mph With A White Needle.	\$162.00	N
44238	1949	SPEEDOMETER CLUSTER 0-80 MPH, White Needle, Complete Assembly	\$276.00	N

Part Number	Year	Description	Price	*Rev.
44227	1950	SPEEDOMETER 0-80 MPH, White Needle Note: GM Did Not Sell This Gauge Separately, This Speedometer Has A Range From 0-80 Mph With A White Needle.	\$162.00	N
44238	1950	SPEEDOMETER CLUSTER 0-80 MPH, White Needle, Complete Assembly	\$276.00	N
44227	1951	SPEEDOMETER 0-80 MPH, White Needle Note: GM Did Not Sell This Gauge Separately, This Speedometer Has A Range From 0-80 Mph With A White Needle.	\$162.00	N
44238	1951	SPEEDOMETER CLUSTER 0-80 MPH, White Needle, Complete Assembly	\$276.00	N
44228	1952	SPEEDOMETER 0-90 MPH, White Needle Note: GM Did Not Sell This Gauge Separately, This Speedometer Has A Range From 0-90 Mph With A White Needle.	\$162.00	N
44239	1952	SPEEDOMETER CLUSTER 0-90 MPH, White Needle, Complete Assembly	\$276.00	N
44228	1953	SPEEDOMETER 0-90 MPH, White Needle Note: GM Did Not Sell This Gauge Separately, This Speedometer Has A Range From 0-90 Mph With A White Needle.	\$162.00	N
44239	1953	SPEEDOMETER CLUSTER 0-90 MPH, White Needle, Complete Assembly	\$276.00	N
44235	1954	SPEEDOMETER	\$185.00	N
44256	1954	SPEEDOMETER CLUSTER Complete Assembly	\$276.00	N
44235	1955	SPEEDOMETER 1st Series	\$185.00	N
44256	1955	SPEEDOMETER CLUSTER 1st Series, Complete Assembly	\$276.00	N
01583683	1955	SPEEDOMETER	\$185.00	N
01583683	1956	SPEEDOMETER	\$185.00	N
01583683	1957	SPEEDOMETER	\$185.00	N
01583683	1958	SPEEDOMETER	\$185.00	N
01583683	1959	SPEEDOMETER	\$185.00	N
01587444	1960	SPEEDOMETER	\$185.00	N
01587444	1961	SPEEDOMETER	\$185.00	N
01587444	1962	SPEEDOMETER	\$185.00	N
01587444	1963	SPEEDOMETER	\$185.00	N
06407465	1964	SPEEDOMETER	\$185.00	N
06407465	1965	SPEEDOMETER	\$185.00	N
06407465	1966	SPEEDOMETER	\$185.00	N
06492868	1967	SPEEDOMETER	\$93.00	N
06492868	1968	SPEEDOMETER	\$93.00	N
06492868	1969	SPEEDOMETER	\$93.00	N
06492868	1970	SPEEDOMETER	\$93.00	N
06492868	1971	SPEEDOMETER	\$93.00	N
06492868	1972	SPEEDOMETER	\$93.00	N
25045176	1976	SPEEDOMETER	\$139.00	N
25045176	1977	SPEEDOMETER	\$139.00	N
25045176	1978	SPEEDOMETER	\$139.00	N
25045176	1979	SPEEDOMETER 1st Design, Fire Orange Needle	\$139.00	N
25044301	1979	SPEEDOMETER 2nd Design, Light Orange Needle	\$139.00	N
25044301	1980	SPEEDOMETER	\$139.00	N
25051889	1981	SPEEDOMETER Light Orange Needle	\$139.00	N
25051889	1982	SPEEDOMETER Light Orange Needle	\$139.00	N
25051889	1983	SPEEDOMETER Light Orange Needle	\$139.00	N
25051889	1984	SPEEDOMETER Light Orange Needle	\$139.00	N
25051889	1985	SPEEDOMETER Light Orange Needle	\$139.00	N
25051889	1986	SPEEDOMETER Light Orange Needle	\$139.00	N
25051889	1987	SPEEDOMETER Light Orange Needle	\$139.00	N

Part Number	Year	Description	Price	*Rev.
STARTER SWITCH				
00820052	1938	STARTER SWITCH Foot Operated, On Starter	\$24.00	N
00820052	1939	STARTER SWITCH Foot Operated, On Starter	\$24.00	N
00820052	1940	STARTER SWITCH Foot Operated, On Starter	\$24.00	N
00820052	1941	STARTER SWITCH Foot Operated, On Starter	\$24.00	N
00820052	1942	STARTER SWITCH Foot Operated, On Starter	\$24.00	N
00820052	1946	STARTER SWITCH Foot Operated, On Starter	\$24.00	N
00820052	1947	STARTER SWITCH Foot Operated, On Starter	\$24.00	N
00820052	1948	STARTER SWITCH Foot Operated, On Starter	\$24.00	N
00820052	1949	STARTER SWITCH Foot Operated, On Starter	\$24.00	N
00820052	1950	STARTER SWITCH Foot Operated, On Starter	\$24.00	N
00820052	1951	STARTER SWITCH Foot Operated, On Starter	\$24.00	N
00820052	1952	STARTER SWITCH Foot Operated, On Starter	\$24.00	N
00820052	1953	STARTER SWITCH Foot Operated, On Starter	\$24.00	N
00820052	1954	STARTER SWITCH Foot Operated, On Starter	\$24.00	N
00820052	1955	STARTER SWITCH 1st Series, 6 Volt, Except H.T. Transmission, Foot Operated, On Starter	\$24.00	N
01930496	1955	STARTER SWITCH 2nd Series, 12 Volt, 6 Cylinder, Except H.T. Transmission, Foot Operated, On Starter	\$24.00	N
01930496	1956	STARTER SWITCH 6 Cylinder, Except H.T. Transmission, Foot Operated, On Starter	\$24.00	N
01930496	1957	STARTER SWITCH 6 Cylinder, Except H.T. Transmission, Foot Operated, On Starter	\$24.00	N
01930496	1958	STARTER SWITCH 6 Cylinder, Except H.T. Transmission, Foot Operated, On Starter	\$24.00	N
01930496	1959	STARTER SWITCH 6 Cylinder, Except H.T. Transmission, Foot Operated, On Starter	\$24.00	N
STEERING COLUMN ADAPTER HARNESS				
39468	1955	STEERING COLUMN ADAPTER HARNESS For 1969-74 GM & Ididit Columns (Exc. Flaming River) To Stock Dash Note: Adapts Horn, Directionals, Hazard Flasher To Stock Dash Harness.	\$50.00	
39467	1955	STEERING COLUMN ADAPTER HARNESS For 1975 & Up GM & Flaming River Columns (Exc. Ididit) To Stock Dash Note: Adapts Horn, Directionals, Hazard Flasher To Stock Dash Harness.	\$50.00	
39468	1956	STEERING COLUMN ADAPTER HARNESS For 1969-74 GM & Ididit Columns (Exc. Flaming River) To Stock Dash Note: Adapts Horn, Directionals, Hazard Flasher To Stock Dash Harness.	\$50.00	
39467	1956	STEERING COLUMN ADAPTER HARNESS For 1975 & Up GM & Flaming River Columns (Exc. Ididit) To Stock Dash Note: Adapts Horn, Directionals, Hazard Flasher To Stock Dash Harness.	\$50.00	
35785	1957	STEERING COLUMN ADAPTER HARNESS For 1969-74 GM & Ididit Columns (Exc. Flaming River) To Stock Dash Note: Adapts Horn, Directionals, Hazard Flasher To Stock Dash Harness.	\$50.00	
13597	1957	STEERING COLUMN ADAPTER HARNESS For 1975 & Up GM & Flaming River Columns (Exc. Ididit) To Stock Dash Note: Adapts Horn, Directionals, Hazard Flasher To Stock Dash Harness.	\$51.00	
35785	1958	STEERING COLUMN ADAPTER HARNESS For 1969-74 GM & Ididit Columns (Exc. Flaming River) To Stock Dash Note: Adapts Horn, Directionals, Hazard Flasher To Stock Dash Harness.	\$50.00	
13597	1958	STEERING COLUMN ADAPTER HARNESS For 1975 & Up GM & Flaming River Columns (Exc. Ididit) To Stock Dash Note: Adapts Horn, Directionals, Hazard Flasher To Stock Dash Harness.	\$51.00	
35785	1959	STEERING COLUMN ADAPTER HARNESS For 1969-74 GM & Ididit Columns (Exc. Flaming River) To Stock Dash Note: Adapts Horn, Directionals, Hazard Flasher To Stock Dash Harness.	\$50.00	

Part Number	Year	Description	Price	*Rev.
13597	1959	STEERING COLUMN ADAPTER HARNESS For 1975 & Up GM & Flaming River Columns (Exc. Ididit) To Stock Dash Note: Adapts Horn, Directionals, Hazard Flasher To Stock Dash Harness.	\$51.00	
37616	1960	STEERING COLUMN ADAPTER HARNESS For 1969-74 GM & Ididit Columns (Exc. Flaming River) To Stock Dash Harness Note: Adapts Horn, Directionals, Hazard Flashers To Stock 6-Way Dash Connector.	\$50.00	
38124	1960	STEERING COLUMN ADAPTER HARNESS For 1975 & Up GM & Flaming River Columns (Exc. Ididit) To Stock Dash Harness Note: Adapts Horn, Directionals, Hazard Flashers To Stock 6-Way Dash Connector.	\$53.00	
37616	1961	STEERING COLUMN ADAPTER HARNESS For 1969-74 GM & Ididit Columns (Exc. Flaming River) To Stock Dash Harness Note: Adapts Horn, Directionals, Hazard Flashers To Stock 6-Way Dash Connector.	\$50.00	
38124	1961	STEERING COLUMN ADAPTER HARNESS For 1975 & Up GM & Flaming River Columns (Exc. Ididit) To Stock Dash Harness Note: Adapts Horn, Directionals, Hazard Flashers To Stock 6-Way Dash Connector.	\$53.00	
37616	1962	STEERING COLUMN ADAPTER HARNESS For 1969-74 GM & Ididit Columns (Exc. Flaming River) To Stock Dash Harness Note: Adapts Horn, Directionals, Hazard Flashers To Stock 6-Way Dash Connector.	\$50.00	
38124	1962	STEERING COLUMN ADAPTER HARNESS For 1975 & Up GM & Flaming River Columns (Exc. Ididit) To Stock Dash Harness Note: Adapts Horn, Directionals, Hazard Flashers To Stock 6-Way Dash Connector.	\$53.00	
37618	1963	STEERING COLUMN ADAPTER HARNESS For 1969-74 GM & Ididit Columns (Exc. Flaming River) To Stock Dash Harness Note: Adapts Horn, Directionals, Hazard Flashers To Stock 8-Way Dash Connector.	\$50.00	
38125	1963	STEERING COLUMN ADAPTER HARNESS For 1975 & Up GM & Flaming River Columns (Exc. Ididit) To Stock Dash Harness Note: Adapts Horn, Directionals, Hazard Flashers To Stock 8-Way Dash Connector.	\$51.00	
37618	1964	STEERING COLUMN ADAPTER HARNESS For 1969-74 GM & Ididit Columns (Exc. Flaming River) To Stock Dash Harness Note: Adapts Horn, Directionals, Hazard Flashers To Stock 8-Way Dash Connector.	\$50.00	
38125	1964	STEERING COLUMN ADAPTER HARNESS For 1975 & Up GM & Flaming River Columns (Exc. Ididit) To Stock Dash Harness Note: Adapts Horn, Directionals, Hazard Flashers To Stock 8-Way Dash Connector.	\$51.00	
37618	1965	STEERING COLUMN ADAPTER HARNESS For 1969-74 GM & Ididit Columns (Exc. Flaming River) To Stock Dash Harness Note: Adapts Horn, Directionals, Hazard Flashers To Stock 8-Way Dash Connector.	\$50.00	
38125	1965	STEERING COLUMN ADAPTER HARNESS For 1975 & Up GM & Flaming River Columns (Exc. Ididit) To Stock Dash Harness Note: Adapts Horn, Directionals, Hazard Flashers To Stock 8-Way Dash Connector.	\$51.00	
37618	1966	STEERING COLUMN ADAPTER HARNESS For 1969-74 GM & Ididit Columns (Exc. Flaming River) To Stock Dash Harness Note: Adapts Horn, Directionals, Hazard Flashers To Stock 8-Way Dash Connector.	\$50.00	
38125	1966	STEERING COLUMN ADAPTER HARNESS For 1975 & Up GM & Flaming River Columns (Exc. Ididit) To Stock Dash Harness Note: Adapts Horn, Directionals, Hazard Flashers To Stock 8-Way Dash Connector.	\$51.00	
36878	1967	STEERING COLUMN ADAPTER HARNESS For 1969-74 GM & Ididit Columns (Exc. Flaming River) To Stock Dash Harness Note: Adapts Horn, Directionals, Hazard Flashers To Stock 8 Pin Dash Connector.	\$27.00	
38126	1967	STEERING COLUMN ADAPTER HARNESS For 1975 & Up GM & Flaming River Columns (Exc. Ididit) To Stock Dash Harness Note: Adapts Horn, Directionals, Hazard Flashers To Stock 8 Pin Dash Connector.	\$27.00	
36878	1968	STEERING COLUMN ADAPTER HARNESS For 1969-74 GM & Ididit Columns (Exc. Flaming River) To Stock Dash Harness Note: Adapts Horn, Directionals, Hazard Flashers To Stock 8 Pin Dash Connector.	\$27.00	

Part Number	Year	Description	Price	*Rev.
38126	1968	STEERING COLUMN ADAPTER HARNESS For 1975 & Up GM & Flaming River Columns (Exc. Ididit) To Stock Dash Harness Note: Adapts Horn, Directionals, Hazard Flashers To Stock 8 Pin Dash Connector.	\$27.00	
36878	1969	STEERING COLUMN ADAPTER HARNESS For 1969-74 GM & Ididit Columns (Exc. Flaming River) To Stock Dash Harness Note: Adapts Horn, Directionals, Hazard Flashers To Stock 8 Pin Dash Connector.	\$27.00	
38126	1969	STEERING COLUMN ADAPTER HARNESS For 1975 & Up GM & Flaming River Columns (Exc. Ididit) To Stock Dash Harness Note: Adapts Horn, Directionals, Hazard Flashers To Stock 8 Pin Dash Connector.	\$27.00	
36878	1970	STEERING COLUMN ADAPTER HARNESS For 1969-74 GM & Ididit Columns (Exc. Flaming River) To Stock Dash Harness Note: Adapts Horn, Directionals, Hazard Flashers To Stock 8 Pin Dash Connector.	\$27.00	
38126	1970	STEERING COLUMN ADAPTER HARNESS For 1975 & Up GM & Flaming River Columns (Exc. Ididit) To Stock Dash Harness Note: Adapts Horn, Directionals, Hazard Flashers To Stock 8 Pin Dash Connector.	\$27.00	
36878	1971	STEERING COLUMN ADAPTER HARNESS For 1969-74 GM & Ididit Columns (Exc. Flaming River) To Stock Dash Harness Note: Adapts Horn, Directionals, Hazard Flashers To Stock 8 Pin Dash Connector.	\$27.00	
38126	1971	STEERING COLUMN ADAPTER HARNESS For 1975 & Up GM & Flaming River Columns (Exc. Ididit) To Stock Dash Harness Note: Adapts Horn, Directionals, Hazard Flashers To Stock 8 Pin Dash Connector.	\$27.00	
36878	1972	STEERING COLUMN ADAPTER HARNESS For 1969-74 GM & Ididit Columns (Exc. Flaming River) To Stock Dash Harness Note: Adapts Horn, Directionals, Hazard Flashers To Stock 8 Pin Dash Connector.	\$27.00	
38126	1972	STEERING COLUMN ADAPTER HARNESS For 1975 & Up GM & Flaming River Columns (Exc. Ididit) To Stock Dash Harness Note: Adapts Horn, Directionals, Hazard Flashers To Stock 8 Pin Dash Connector.	\$27.00	
STOP LAMP SWITCH				
01997922	1942	STOP LAMP SWITCH	\$8.00	N
01997922	1946	STOP LAMP SWITCH	\$8.00	N
01997922	1947	STOP LAMP SWITCH	\$8.00	N
01997922	1948	STOP LAMP SWITCH	\$8.00	N
01997922	1949	STOP LAMP SWITCH	\$8.00	N
01997922	1950	STOP LAMP SWITCH	\$8.00	N
01997922	1951	STOP LAMP SWITCH	\$8.00	N
01997922	1952	STOP LAMP SWITCH	\$8.00	N
01997922	1953	STOP LAMP SWITCH	\$8.00	N
01997922	1954	STOP LAMP SWITCH	\$8.00	N
01997922	1955	STOP LAMP SWITCH 1st Series, 6 Volt	\$8.00	N
01997921	1955	STOP LAMP SWITCH 2nd Series, 12 Volt	\$8.00	N
01997921	1956	STOP LAMP SWITCH	\$8.00	N
01997921	1957	STOP LAMP SWITCH	\$8.00	N
01997921	1958	STOP LAMP SWITCH	\$8.00	N
01997921	1959	STOP LAMP SWITCH	\$8.00	N
01261219	1960	STOP LAMP SWITCH All, Without Cruise	\$5.80	N
01261219	1961	STOP LAMP SWITCH All, Without Cruise	\$5.80	N
01261219	1962	STOP LAMP SWITCH All, Without Cruise	\$5.80	N
01261219	1963	STOP LAMP SWITCH All, Without Cruise	\$5.80	N
01261219	1964	STOP LAMP SWITCH All, Without Cruise	\$5.80	N
01261219	1965	STOP LAMP SWITCH All, Without Cruise	\$5.80	N

Part Number	Year	Description	Price	*Rev.
01261219	1966	STOP LAMP SWITCH All, Without Cruise	\$5.80	N
01261219	1967	STOP LAMP SWITCH All, Without Cruise	\$5.80	N
01261219	1968	STOP LAMP SWITCH All, Without Cruise	\$5.80	N
01261219	1969	STOP LAMP SWITCH All, Without Cruise	\$5.80	N
01261219	1970	STOP LAMP SWITCH All, Without Cruise	\$5.80	N
01261219	1971	STOP LAMP SWITCH All, Without Cruise	\$5.80	N
01261219	1972	STOP LAMP SWITCH All, Without Cruise	\$5.80	N
01261219	1973	STOP LAMP SWITCH All, Without Cruise	\$5.80	N
01261219	1974	STOP LAMP SWITCH All, Without Cruise	\$5.80	N
01261219	1975	STOP LAMP SWITCH All, Without Cruise	\$5.80	N
01261219	1976	STOP LAMP SWITCH All, Without Cruise	\$5.80	N
01261219	1977	STOP LAMP SWITCH All, Without Cruise	\$5.80	N
01261219	1978	STOP LAMP SWITCH All, Without Cruise	\$5.80	N
01261219	1979	STOP LAMP SWITCH All, Without Cruise	\$5.80	N
01261219	1980	STOP LAMP SWITCH With Manual Trans, Without Cruise	\$5.80	N
01261219	1981	STOP LAMP SWITCH With Manual Trans, Without Cruise	\$5.80	N
01261219	1982	STOP LAMP SWITCH With Manual Trans Or TH400, Without Cruise	\$5.80	N
01261219	1983	STOP LAMP SWITCH With Manual Trans Or TH400, Without Cruise	\$5.80	N
01261219	1984	STOP LAMP SWITCH With Manual Trans Or TH400, Without Cruise	\$5.80	N
01261219	1985	STOP LAMP SWITCH With Manual Trans Or TH400, Without Cruise	\$5.80	N
01261219	1986	STOP LAMP SWITCH With Manual Trans Or TH400, Without Cruise	\$5.80	N
01261219	1987	STOP LAMP SWITCH RV Body Style, With Manual Trans Or TH400, Without Cruise	\$5.80	N
01261219	1988	STOP LAMP SWITCH RV Body Style, With Manual Trans Or TH400, Without Cruise	\$5.80	N
01261219	1989	STOP LAMP SWITCH RV Body Style, With Manual Trans Or TH 400, Without Cruise	\$5.80	N
TACHOMETER				
44269	1963	TACHOMETER KIT V/8, 5000 RPM, Includes Tachometer, Tachometer Wire Harness, All Necessary Hardware & Instructions Note: Kit Will Replace Original Tachometer, Or Can Be Added In Original Gauge Type Clusters Without Tachometer Using Block-Off Plate.	\$247.00	N
44269	1964	TACHOMETER KIT V/8, 5000 RPM, Includes Tachometer, Tachometer Wire Harness, All Necessary Hardware & Instructions Note: Kit Will Replace Original Tachometer, Or Can Be Added In Original Gauge Type Clusters Without Tachometer Using Block-Off Plate.	\$247.00	N
44269	1965	TACHOMETER KIT V/8, 5000 RPM, Includes Tachometer, Tachometer Wire Harness, All Necessary Hardware & Instructions Note: Kit Will Replace Original Tachometer, Or Can Be Added In Original Gauge Type Clusters Without Tachometer Using Block-Off Plate.	\$247.00	N
44269	1966	TACHOMETER KIT V/8, 5000 RPM, Includes Tachometer, Tachometer Wire Harness, All Necessary Hardware & Instructions Note: Kit Will Replace Original Tachometer, Or Can Be Added In Original Gauge Type Clusters Without Tachometer Using Block-Off Plate.	\$247.00	N
06468228	1967	TACHOMETER V/8, 5000 RPM	\$116.00	N
44217	1967	TACHOMETER CONVERSION KIT V/8 Only, 5000 RPM Tach Note: Kit Includes: 5000 RPM Tachometer, Printed Circuit, Instrument Lens, Front & Back Gauge Housings, And Tachometer Wiring Harness.	\$331.00	N
44218	1967	TACHOMETER CONVERSION KIT V/8 Only, 8000 RPM Tach. Note: Kit Includes: 8000 RPM Tachometer, Printed Circuit, Instrument Lens, Front & Back Gauge Housings, And Tachometer Wiring Harness.	\$355.00	N
06468228	1968	TACHOMETER V/8, 5000 RPM	\$116.00	N

Part Number	Year	Description	Price	*Rev.
44217	1968	TACHOMETER CONVERSION KIT V/8 Only, 5000 RPM Tach Note: Kit Includes: 5000 RPM Tachometer, Printed Circuit, Instrument Lens, Front & Back Gauge Housings, And Tachometer Wiring Harness.	\$331.00	N
44218	1968	TACHOMETER CONVERSION KIT V/8 Only, 8000 RPM Tach. Note: Kit Includes: 8000 RPM Tachometer, Printed Circuit, Instrument Lens, Front & Back Gauge Housings, And Tachometer Wiring Harness.	\$355.00	N
06468228	1969	TACHOMETER V/8, 5000 RPM	\$116.00	N
44217	1969	TACHOMETER CONVERSION KIT V/8 Only, 5000 RPM Tach Note: Kit Includes: 5000 RPM Tachometer, Printed Circuit, Instrument Lens, Front & Back Gauge Housings, And Tachometer Wiring Harness.	\$331.00	N
44218	1969	TACHOMETER CONVERSION KIT V/8 Only, 8000 RPM Tach. Note: Kit Includes: 8000 RPM Tachometer, Printed Circuit, Instrument Lens, Front & Back Gauge Housings, And Tachometer Wiring Harness.	\$355.00	N
06468228	1970	TACHOMETER V/8, 5000 RPM	\$116.00	N
44217	1970	TACHOMETER CONVERSION KIT V/8 Only, 5000 RPM Tach Note: Kit Includes: 5000 RPM Tachometer, Printed Circuit, Instrument Lens, Front & Back Gauge Housings, And Tachometer Wiring Harness.	\$331.00	N
44218	1970	TACHOMETER CONVERSION KIT V/8 Only, 8000 RPM Tach. Note: Kit Includes: 8000 RPM Tachometer, Printed Circuit, Instrument Lens, Front & Back Gauge Housings, And Tachometer Wiring Harness.	\$355.00	N
06468228	1971	TACHOMETER V/8, 5000 RPM	\$116.00	N
44217	1971	TACHOMETER CONVERSION KIT V/8 Only, 5000 RPM Tach Note: Kit Includes: 5000 RPM Tachometer, Printed Circuit, Instrument Lens, Front & Back Gauge Housings, And Tachometer Wiring Harness.	\$331.00	N
44218	1971	TACHOMETER CONVERSION KIT V/8 Only, 8000 RPM Tach. Note: Kit Includes: 8000 RPM Tachometer, Printed Circuit, Instrument Lens, Front & Back Gauge Housings, And Tachometer Wiring Harness.	\$355.00	N
06468228	1972	TACHOMETER V/8, 5000 RPM	\$116.00	N
44217	1972	TACHOMETER CONVERSION KIT V/8 Only, 5000 RPM Tach Note: Kit Includes: 5000 RPM Tachometer, Printed Circuit, Instrument Lens, Front & Back Gauge Housings, And Tachometer Wiring Harness.	\$331.00	N
44218	1972	TACHOMETER CONVERSION KIT V/8 Only, 8000 RPM Tach. Note: Kit Includes: 8000 RPM Tachometer, Printed Circuit, Instrument Lens, Front & Back Gauge Housings, And Tachometer Wiring Harness.	\$355.00	N
05658293	1973	TACHOMETER V/8, 5000 RPM	\$127.00	N
05658293	1974	TACHOMETER V/8, 5000 RPM	\$127.00	N
05658293	1975	TACHOMETER V/8, 5000 RPM	\$127.00	N
05659232	1976	TACHOMETER V/8, 5000 RPM	\$127.00	N
05659232	1977	TACHOMETER V/8, 5000 RPM	\$127.00	N
05659232	1978	TACHOMETER V/8, 5000 RPM	\$127.00	N
05659232	1979	TACHOMETER 1st Design, V/8, 5000 RPM, With Fire Orange Pointer	\$127.00	N
25054251	1979	TACHOMETER 2nd Design, V/8, 5000 RPM, With Yellow Pointer	\$127.00	N
25054251	1980	TACHOMETER V/8, 5000 RPM	\$127.00	N
25054251	1981	TACHOMETER V/8, 5000 RPM	\$127.00	N
25054251	1982	TACHOMETER V/8, 5000 RPM	\$127.00	N
25054251	1983	TACHOMETER V/8, 5000 RPM	\$127.00	N
25054251	1984	TACHOMETER V/8, 5000 RPM	\$127.00	N
25054251	1985	TACHOMETER V/8, 5000 RPM	\$127.00	N
25054251	1986	TACHOMETER V/8, 5000 RPM	\$127.00	N
25054251	1987	TACHOMETER V/8, 5000 RPM	\$127.00	N

Part Number	Year	Description	Price	*Rev.
TACHOMETER HARNESS				
03290	1961	TACHOMETER HARNESS	\$56.00	
03290	1962	TACHOMETER HARNESS	\$56.00	
04225	1963	TACHOMETER HARNESS	\$56.00	
20705	1964	TACHOMETER HARNESS 6 Cylinder Note: 6 Cylinder Items Are Not Returnable.	\$56.00	
20670	1964	TACHOMETER HARNESS V/8	\$56.00	
39693	1964	TACHOMETER HARNESS V/8, With HEI Note: Not All Tachometers Will Operate Or Indicate Correctly When Used On An HEI Ignition System. While Some Original And Reproduction Tachometers May Give A Reading, This Does Not Necessarily Mean The Reading Is Correct.	\$56.00	
20705	1965	TACHOMETER HARNESS 6 Cylinder Note: 6 Cylinder Items Are Not Returnable.	\$56.00	
20670	1965	TACHOMETER HARNESS V/8	\$56.00	
39693	1965	TACHOMETER HARNESS V/8, With HEI Note: Not All Tachometers Will Operate Or Indicate Correctly When Used On An HEI Ignition System. While Some Original And Reproduction Tachometers May Give A Reading, This Does Not Necessarily Mean The Reading Is Correct.	\$56.00	
20705	1966	TACHOMETER HARNESS 6 Cylinder Note: 6 Cylinder Items Are Not Returnable.	\$56.00	
20670	1966	TACHOMETER HARNESS V/8	\$56.00	
39693	1966	TACHOMETER HARNESS V/8, With HEI Note: Not All Tachometers Will Operate Or Indicate Correctly When Used On An HEI Ignition System. While Some Original And Reproduction Tachometers May Give A Reading, This Does Not Necessarily Mean The Reading Is Correct.	\$56.00	
20645	1967	TACHOMETER HARNESS	\$39.00	
39694	1967	TACHOMETER HARNESS With HEI Note: Not All Tachometers Will Operate Or Indicate Correctly When Used On An HEI Ignition System. While Some Original And Reproduction Tachometers May Give A Reading, This Does Not Necessarily Mean The Reading Is Correct.	\$39.00	
20635	1968	TACHOMETER HARNESS	\$45.00	
39695	1968	TACHOMETER HARNESS With HEI Note: Not All Tachometers Will Operate Or Indicate Correctly When Used On An HEI Ignition System. While Some Original And Reproduction Tachometers May Give A Reading, This Does Not Necessarily Mean The Reading Is Correct.	\$45.00	
20635	1969	TACHOMETER HARNESS	\$45.00	
39695	1969	TACHOMETER HARNESS With HEI Note: Not All Tachometers Will Operate Or Indicate Correctly When Used On An HEI Ignition System. While Some Original And Reproduction Tachometers May Give A Reading, This Does Not Necessarily Mean The Reading Is Correct.	\$45.00	
20635	1970	TACHOMETER HARNESS	\$45.00	
39695	1970	TACHOMETER HARNESS With HEI Note: Not All Tachometers Will Operate Or Indicate Correctly When Used On An HEI Ignition System. While Some Original And Reproduction Tachometers May Give A Reading, This Does Not Necessarily Mean The Reading Is Correct.	\$45.00	
20635	1971	TACHOMETER HARNESS	\$45.00	
39695	1971	TACHOMETER HARNESS With HEI Note: Not All Tachometers Will Operate Or Indicate Correctly When Used On An HEI Ignition System. While Some Original And Reproduction Tachometers May Give A Reading, This Does Not Necessarily Mean The Reading Is Correct.	\$45.00	
20635	1972	TACHOMETER HARNESS	\$45.00	
39695	1972	TACHOMETER HARNESS With HEI Note: Not All Tachometers Will Operate Or Indicate Correctly When Used On An HEI Ignition System. While Some Original And Reproduction Tachometers May Give A Reading, This Does Not Necessarily Mean The Reading Is Correct.	\$45.00	
20800	1973	TACHOMETER HARNESS	\$54.00	M
39696	1973	TACHOMETER HARNESS With HEI Note: Not All Tachometers Will Operate Or Indicate Correctly When Used On An HEI Ignition System. While Some Original And Reproduction Tachometers May Give A Reading, This Does Not Necessarily Mean The Reading Is Correct.	\$54.00	M

Part Number	Year	Description	Price	*Rev.
20800	1974	TACHOMETER HARNESS	\$54.00	M
39696	1974	TACHOMETER HARNESS With HEI Note: Not All Tachometers Will Operate Or Indicate Correctly When Used On An HEI Ignition System. While Some Original And Reproduction Tachometers May Give A Reading, This Does Not Necessarily Mean The Reading Is Correct.	\$54.00	M
38281	1975	TACHOMETER HARNESS All	\$54.00	M
38281	1976	TACHOMETER HARNESS All	\$54.00	M
38282	1977	TACHOMETER HARNESS V/8	\$54.00	M
38281	1977	TACHOMETER HARNESS 6 Cylinder Note: 6 Cylinder Items Are Not Returnable.	\$54.00	M
38867	1978	TACHOMETER HARNESS All	\$54.00	M
38284	1979	TACHOMETER HARNESS All	\$54.00	M
38284	1980	TACHOMETER HARNESS All	\$54.00	M
38285	1981	TACHOMETER HARNESS All	\$54.00	M
38285	1982	TACHOMETER HARNESS All	\$54.00	M
38285	1983	TACHOMETER HARNESS All	\$54.00	M
38285	1984	TACHOMETER HARNESS All	\$54.00	M
38285	1985	TACHOMETER HARNESS All	\$54.00	M
38285	1986	TACHOMETER HARNESS All	\$54.00	M
38285	1987	TACHOMETER HARNESS All	\$54.00	M
TAILGATE MARKER LAMP HARNESS				
39741	1973	TAILGATE MARKER LAMP HARNESS Fleetside, 3/4 & 1-Ton, With Tailgate Marker Lamps	\$127.00	M
39741	1974	TAILGATE MARKER LAMP HARNESS Fleetside, 3/4 & 1-Ton, With Tailgate Marker Lamps, (1st Design) Note: This Harness Has A Single Wire Plastic Connector Where It Plugs Into Rear Lamp Harness.	\$127.00	M
39773	1974	TAILGATE MARKER LAMP HARNESS Fleetside, 3/4 & 1-Ton, With Tailgate Marker Lamps, (2nd Design) Note: This Harness Has A 2 Wire Rubber Molded Connector Where It Plugs Into Rear Lamp Harness.	\$132.00	M
39741	1975	TAILGATE MARKER LAMP HARNESS Fleetside, 3/4 & 1-Ton, With Tailgate Marker Lamps	\$127.00	M
39741	1976	TAILGATE MARKER LAMP HARNESS Fleetside, 3/4 & 1-Ton, With Tailgate Marker Lamps	\$127.00	M
39741	1977	TAILGATE MARKER LAMP HARNESS Fleetside, 3/4 & 1-Ton, With Tailgate Marker Lamps	\$127.00	M
39741	1978	TAILGATE MARKER LAMP HARNESS Fleetside, 3/4 & 1-Ton, With Tailgate Marker Lamps	\$127.00	M
39741	1979	TAILGATE MARKER LAMP HARNESS Fleetside, 3/4 & 1-Ton, With Tailgate Marker Lamps	\$127.00	M
39741	1980	TAILGATE MARKER LAMP HARNESS Fleetside, 3/4 & 1-Ton, With Tailgate Marker Lamps	\$127.00	M
39992	1981	TAILGATE MARKER LAMP HARNESS 1-Tons, With Fleetside Bed & Dual Rear Wheels	\$132.00	M
39992	1982	TAILGATE MARKER LAMP HARNESS 1-Ton, With Fleetside Bed & Dual Rear Wheels	\$132.00	M
TEMPERATURE GAUGE				
01511898	1947	TEMPERATURE GAUGE 6 Cylinder, 100-212 Degree, Red Needle, 45 Inch	\$74.00	N
44224	1947	TEMPERATURE GAUGE 6 Cylinder, 100-220 Degree, Red Needle, 45 Inch Note: GM Did Not Sell This Gauge Originally, This Gauge Has A Range From 100-220 Degrees, But Still Maintains The Original Appearance.	\$74.00	N
44223	1947	TEMPERATURE GAUGE V/8, 100-212 Degree, Red Needle, 60 Inch Note: GM Did Not Sell This Gauge Originally, This Gauge Is For Vehicles With V/8, But Still Maintains The Original Appearance.	\$74.00	N
44225	1947	TEMPERATURE GAUGE V/8, 100-220 Degree, Red Needle, 60 Inch Note: GM Did Not Sell This Gauge Originally, This Gauge Has A Range From 100-220 Degrees, But Still Maintains The Original Appearance.	\$74.00	N
01511898	1948	TEMPERATURE GAUGE 6 Cylinder, 100-212 Degree, Red Needle, 45 Inch	\$74.00	N
44224	1948	TEMPERATURE GAUGE 6 Cylinder, 100-220 Degree, Red Needle, 45 Inch Note: GM Did Not Sell This Gauge Originally, This Gauge Has A Range From 100-220 Degrees, But Still Maintains The Original Appearance.	\$74.00	N

Part Number	Year	Description	Price	*Rev.
44223	1948	TEMPERATURE GAUGE V/8, 100-212 Degree, Red Needle, 60 Inch Note: GM Did Not Sell This Gauge Originally, This Gauge Is For Vehicles With V/8, But Still Maintains The Original Appearance.	\$74.00	N
44225	1948	TEMPERATURE GAUGE V/8, 100-220 Degree, Red Needle, 60 Inch Note: GM Did Not Sell This Gauge Originally, This Gauge Has A Range From 100-220 Degrees, But Still Maintains The Original Appearance.	\$74.00	N
01512148	1949	TEMPERATURE GAUGE 6 Cylinder, 100-212 Degree, White Needle, 45 Inch	\$74.00	N
01512701	1949	TEMPERATURE GAUGE 6 Cylinder, 100-220 Degree, White Needle, 45 Inch	\$74.00	N
44230	1949	TEMPERATURE GAUGE V/8, 100-212 Degree, White Needle, 60 Inch Note: GM Did Not Sell This Gauge Originally, This Gauge Is For Vehicles With V/8, But Still Maintains The Original Appearance.	\$74.00	N
44231	1949	TEMPERATURE GAUGE V/8, 100-220 Degree, White Needle, 60 Inch Note: GM Did Not Sell This Gauge Originally, This Gauge Is For Vehicles With V/8, But Still Maintains The Original Appearance.	\$74.00	N
01512148	1950	TEMPERATURE GAUGE 6 Cylinder, 100-212 Degree, White Needle, 45 Inch	\$74.00	N
01512701	1950	TEMPERATURE GAUGE 6 Cylinder, 100-220 Degree, White Needle, 45 Inch	\$74.00	N
44230	1950	TEMPERATURE GAUGE V/8, 100-212 Degree, White Needle, 60 Inch Note: GM Did Not Sell This Gauge Originally, This Gauge Is For Vehicles With V/8, But Still Maintains The Original Appearance.	\$74.00	N
44231	1950	TEMPERATURE GAUGE V/8, 100-220 Degree, White Needle, 60 Inch Note: GM Did Not Sell This Gauge Originally, This Gauge Is For Vehicles With V/8, But Still Maintains The Original Appearance.	\$74.00	N
01512148	1951	TEMPERATURE GAUGE 6 Cylinder, 100-212 Degree, White Needle, 45 Inch	\$74.00	N
01512701	1951	TEMPERATURE GAUGE 6 Cylinder, 100-220 Degree, White Needle, 45 Inch	\$74.00	N
44230	1951	TEMPERATURE GAUGE V/8, 100-212 Degree, White Needle, 60 Inch Note: GM Did Not Sell This Gauge Originally, This Gauge Is For Vehicles With V/8, But Still Maintains The Original Appearance.	\$74.00	N
44231	1951	TEMPERATURE GAUGE V/8, 100-220 Degree, White Needle, 60 Inch Note: GM Did Not Sell This Gauge Originally, This Gauge Is For Vehicles With V/8, But Still Maintains The Original Appearance.	\$74.00	N
01512148	1952	TEMPERATURE GAUGE 6 Cylinder, 100-212 Degree, White Needle, 45 Inch	\$74.00	N
01512701	1952	TEMPERATURE GAUGE 6 Cylinder, 100-220 Degree, White Needle, 45 Inch	\$74.00	N
44230	1952	TEMPERATURE GAUGE V/8, 100-212 Degree, White Needle, 60 Inch Note: GM Did Not Sell This Gauge Originally, This Gauge Is For Vehicles With V/8, But Still Maintains The Original Appearance.	\$74.00	N
44231	1952	TEMPERATURE GAUGE V/8, 100-220 Degree, White Needle, 60 Inch Note: GM Did Not Sell This Gauge Originally, This Gauge Is For Vehicles With V/8, But Still Maintains The Original Appearance.	\$74.00	N
01512148	1953	TEMPERATURE GAUGE 6 Cylinder, 100-212 Degree, White Needle, 45 Inch	\$74.00	N
01512701	1953	TEMPERATURE GAUGE 6 Cylinder, 100-220 Degree, White Needle, 45 Inch	\$74.00	N
44230	1953	TEMPERATURE GAUGE V/8, 100-212 Degree, White Needle, 60 Inch Note: GM Did Not Sell This Gauge Originally, This Gauge Is For Vehicles With V/8, But Still Maintains The Original Appearance.	\$74.00	N
44231	1953	TEMPERATURE GAUGE V/8, 100-220 Degree, White Needle, 60 Inch Note: GM Did Not Sell This Gauge Originally, This Gauge Is For Vehicles With V/8, But Still Maintains The Original Appearance.	\$74.00	N
01512692	1954	TEMPERATURE GAUGE 6 Cylinder, 45 Inch	\$74.00	N
44237	1954	TEMPERATURE GAUGE 8 Cylinder, 60 Inch	\$74.00	N
01512692	1955	TEMPERATURE GAUGE 1st Series, 6 Cylinder, 45 Inch	\$74.00	N
44237	1955	TEMPERATURE GAUGE 1st Series, 8 Cylinder, 60 Inch	\$74.00	N
01513381	1955	TEMPERATURE GAUGE Electric	\$85.00	N
01513163	1955	TEMPERATURE GAUGE Mechanical, 60" Tube Length	\$85.00	N
01513381	1956	TEMPERATURE GAUGE Electric	\$85.00	N
01513163	1956	TEMPERATURE GAUGE Mechanical, 60" Tube Length	\$85.00	N
01513381	1957	TEMPERATURE GAUGE Electric	\$85.00	N
01513163	1957	TEMPERATURE GAUGE Mechanical, 60" Tube Length	\$85.00	N
01513381	1958	TEMPERATURE GAUGE Electric	\$85.00	N
01513163	1958	TEMPERATURE GAUGE Mechanical, 60" Tube Length	\$85.00	N
01513381	1959	TEMPERATURE GAUGE Electric	\$85.00	N

Part Number	Year	Description	Price	*Rev.
01513163	1959	TEMPERATURE GAUGE Mechanical, 60" Tube Length	\$85.00	N
06401218	1960	TEMPERATURE GAUGE	\$74.00	N
06401218	1961	TEMPERATURE GAUGE	\$74.00	N
06401218	1962	TEMPERATURE GAUGE	\$74.00	N
06401218	1963	TEMPERATURE GAUGE	\$74.00	N
06401220	1964	TEMPERATURE GAUGE	\$74.00	N
06401220	1965	TEMPERATURE GAUGE	\$74.00	N
06401220	1966	TEMPERATURE GAUGE	\$74.00	N
06489838	1967	TEMPERATURE GAUGE	\$47.00	N
44219	1967	TEMPERATURE GAUGE With 100-250 Fahrenheit Numeric Face Plate Note: This Is A Replacement For OEM Gauge 06489838 (With Cold / Hot Graduations) In Trucks With Factory Gauge Type Clusters.	\$39.00	N
06489838	1968	TEMPERATURE GAUGE	\$47.00	N
44219	1968	TEMPERATURE GAUGE With 100-250 Fahrenheit Numeric Face Plate Note: This Is A Replacement For OEM Gauge 06489838 (With Cold / Hot Graduations) In Trucks With Factory Gauge Type Clusters.	\$39.00	N
06489838	1969	TEMPERATURE GAUGE	\$47.00	N
44219	1969	TEMPERATURE GAUGE With 100-250 Fahrenheit Numeric Face Plate Note: This Is A Replacement For OEM Gauge 06489838 (With Cold / Hot Graduations) In Trucks With Factory Gauge Type Clusters.	\$39.00	N
06489838	1970	TEMPERATURE GAUGE	\$47.00	N
44219	1970	TEMPERATURE GAUGE With 100-250 Fahrenheit Numeric Face Plate Note: This Is A Replacement For OEM Gauge 06489838 (With Cold / Hot Graduations) In Trucks With Factory Gauge Type Clusters.	\$39.00	N
06489838	1971	TEMPERATURE GAUGE	\$47.00	N
44219	1971	TEMPERATURE GAUGE With 100-250 Fahrenheit Numeric Face Plate Note: This Is A Replacement For OEM Gauge 06489838 (With Cold / Hot Graduations) In Trucks With Factory Gauge Type Clusters.	\$39.00	N
06489838	1972	TEMPERATURE GAUGE	\$47.00	N
44219	1972	TEMPERATURE GAUGE With 100-250 Fahrenheit Numeric Face Plate Note: This Is A Replacement For OEM Gauge 06489838 (With Cold / Hot Graduations) In Trucks With Factory Gauge Type Clusters.	\$39.00	N
06490371	1973	TEMPERATURE GAUGE Fire Orange Needle	\$39.00	N
06490371	1974	TEMPERATURE GAUGE Fire Orange Needle	\$39.00	N
06490371	1975	TEMPERATURE GAUGE Fire Orange Needle	\$39.00	N
08993329	1976	TEMPERATURE GAUGE Fire Orange Needle	\$39.00	N
08993329	1977	TEMPERATURE GAUGE Fire Orange Needle	\$39.00	N
08993329	1978	TEMPERATURE GAUGE Fire Orange Needle	\$39.00	N
08993329	1979	TEMPERATURE GAUGE 1st Design, Fire Orange Needle	\$39.00	N
08993630	1979	TEMPERATURE GAUGE 2nd Design, Light Orange Needle	\$39.00	N
08993630	1980	TEMPERATURE GAUGE Light Orange Needle	\$39.00	N
08993630	1981	TEMPERATURE GAUGE Light Orange Needle	\$39.00	N
08993630	1982	TEMPERATURE GAUGE Light Orange Needle	\$39.00	N
08993630	1983	TEMPERATURE GAUGE Light Orange Needle	\$39.00	N
08993630	1984	TEMPERATURE GAUGE Light Orange Needle	\$39.00	N
08993630	1985	TEMPERATURE GAUGE Light Orange Needle	\$39.00	N
08993630	1986	TEMPERATURE GAUGE Light Orange Needle	\$39.00	N
08993630	1987	TEMPERATURE GAUGE Light Orange Needle	\$39.00	N

Part Number	Year	Description	Price	*Rev.
TEMPERATURE SENDING UNIT WIRE REPAIR KIT				
41366	1962	TEMPERATURE SENDING UNIT WIRE REPAIR KIT Dual Wire	\$27.00	
41366	1963	TEMPERATURE SENDING UNIT WIRE REPAIR KIT Dual Wire	\$27.00	
41366	1964	TEMPERATURE SENDING UNIT WIRE REPAIR KIT Dual Wire	\$27.00	
41366	1965	TEMPERATURE SENDING UNIT WIRE REPAIR KIT Dual Wire	\$27.00	
41366	1966	TEMPERATURE SENDING UNIT WIRE REPAIR KIT Dual Wire	\$27.00	
TRAILER LIGHT ADAPTER HARNESS				
39375	1962	TRAILER LIGHT ADAPTER HARNESS Step Side And Fleet Side Only Note: Connects Between The Intermediate And Rear Lamp Harnesses With Original Style Connectors To Easily Add Trailer Wiring Without Splicing Into Stock Harnesses.	\$92.00	
39375	1963	TRAILER LIGHT ADAPTER HARNESS Step Side And Fleet Side Only Note: Connects Between The Intermediate And Rear Lamp Harnesses With Original Style Connectors To Easily Add Trailer Wiring Without Splicing Into Stock Harnesses.	\$92.00	
39375	1964	TRAILER LIGHT ADAPTER HARNESS Step Side And Fleet Side Only Note: Connects Between The Intermediate And Rear Lamp Harnesses With Original Style Connectors To Easily Add Trailer Wiring Without Splicing Into Stock Harnesses.	\$92.00	
39375	1965	TRAILER LIGHT ADAPTER HARNESS Step Side And Fleet Side Only Note: Connects Between The Intermediate And Rear Lamp Harnesses With Original Style Connectors To Easily Add Trailer Wiring Without Splicing Into Stock Harnesses.	\$92.00	
39375	1966	TRAILER LIGHT ADAPTER HARNESS Step Side And Fleet Side Only Note: Connects Between The Intermediate And Rear Lamp Harnesses With Original Style Connectors To Easily Add Trailer Wiring Without Splicing Into Stock Harnesses.	\$92.00	
39374	1967	TRAILER LIGHT ADAPTER HARNESS Step Side And Fleet Side Only Note: Connects Between The Intermediate And Rear Lamp Harnesses With Original Style Connectors To Easily Add Trailer Wiring Without Splicing Into Stock Harnesses.	\$92.00	
39374	1968	TRAILER LIGHT ADAPTER HARNESS Step Side And Fleet Side Only Note: Connects Between The Intermediate And Rear Lamp Harnesses With Original Style Connectors To Easily Add Trailer Wiring Without Splicing Into Stock Harnesses.	\$92.00	
39374	1969	TRAILER LIGHT ADAPTER HARNESS Step Side And Fleet Side Only Note: Connects Between The Intermediate And Rear Lamp Harnesses With Original Style Connectors To Easily Add Trailer Wiring Without Splicing Into Stock Harnesses.	\$92.00	
39374	1970	TRAILER LIGHT ADAPTER HARNESS Step Side And Fleet Side Only Note: Connects Between The Intermediate And Rear Lamp Harnesses With Original Style Connectors To Easily Add Trailer Wiring Without Splicing Into Stock Harnesses.	\$92.00	
39374	1971	TRAILER LIGHT ADAPTER HARNESS Step Side And Fleet Side Only Note: Connects Between The Intermediate And Rear Lamp Harnesses With Original Style Connectors To Easily Add Trailer Wiring Without Splicing Into Stock Harnesses.	\$92.00	
39374	1972	TRAILER LIGHT ADAPTER HARNESS Step Side And Fleet Side Only Note: Connects Between The Intermediate And Rear Lamp Harnesses With Original Style Connectors To Easily Add Trailer Wiring Without Splicing Into Stock Harnesses.	\$92.00	
39374	1973	TRAILER LIGHT ADAPTER HARNESS Step Side And Fleet Side Only Note: Connects Between The Intermediate And Rear Lamp Harnesses With Original Style Connectors To Easily Add Trailer Wiring Without Splicing Into Stock Harnesses.	\$92.00	M
39374	1974	TRAILER LIGHT ADAPTER HARNESS Step Side And Fleet Side Only Note: Connects Between The Intermediate And Rear Lamp Harnesses With Original Style Connectors To Easily Add Trailer Wiring Without Splicing Into Stock Harnesses.	\$92.00	M
39374	1975	TRAILER LIGHT ADAPTER HARNESS Step Side And Fleet Side Only Note: Connects Between The Intermediate And Rear Lamp Harnesses With Original Style Connectors To Easily Add Trailer Wiring Without Splicing Into Stock Harnesses.	\$92.00	M
39374	1976	TRAILER LIGHT ADAPTER HARNESS Step Side And Fleet Side Only Note: Connects Between The Intermediate And Rear Lamp Harnesses With Original Style Connectors To Easily Add Trailer Wiring Without Splicing Into Stock Harnesses.	\$92.00	M

Part Number	Year	Description	Price	*Rev.
39374	1977	TRAILER LIGHT ADAPTER HARNESS Step Side And Fleet Side Only Note: Connects Between The Intermediate And Rear Lamp Harnesses With Original Style Connectors To Easily Add Trailer Wiring Without Splicing Into Stock Harnesses.	\$92.00	M
39374	1978	TRAILER LIGHT ADAPTER HARNESS Step Side And Fleet Side Only Note: Connects Between The Intermediate And Rear Lamp Harnesses With Original Style Connectors To Easily Add Trailer Wiring Without Splicing Into Stock Harnesses.	\$92.00	M
39374	1979	TRAILER LIGHT ADAPTER HARNESS Step Side And Fleet Side Only Note: Connects Between The Intermediate And Rear Lamp Harnesses With Original Style Connectors To Easily Add Trailer Wiring Without Splicing Into Stock Harnesses.	\$92.00	M
39374	1980	TRAILER LIGHT ADAPTER HARNESS Step Side And Fleet Side Only Note: Connects Between The Intermediate And Rear Lamp Harnesses With Original Style Connectors To Easily Add Trailer Wiring Without Splicing Into Stock Harnesses.	\$92.00	M
39374	1981	TRAILER LIGHT ADAPTER HARNESS Step Side And Fleet Side Only Note: Connects Between The Intermediate And Rear Lamp Harnesses With Original Style Connectors To Easily Add Trailer Wiring Without Splicing Into Stock Harnesses.	\$92.00	M
39374	1982	TRAILER LIGHT ADAPTER HARNESS Step Side And Fleet Side Only Note: Connects Between The Intermediate And Rear Lamp Harnesses With Original Style Connectors To Easily Add Trailer Wiring Without Splicing Into Stock Harnesses.	\$92.00	M
TRANS TORQUE CONVERTER CLUTCH SOL FEED HARNESS				
39993	1982	TRANSMISSION TORQUE CONVERTER CLUTCH SOLENOID FEED HARNESS 2 Wheel Drive, 1/2 & 3/4-Ton, With 700R4 & TH350 Trans	\$127.00	M
TRANS TORQUE CONVERTER CLUTCH SOLENOID EXT WIRE				
39923	1980	TRANSMISSION TORQUE CONVERTER CLUTCH SOLENOID EXTENSION WIRE 1/2 & 3/4-Ton, With TH350 Auto Trans, Except Diesel, Trans Solenoid To Trans Clutch Solenoid Feed Harness	\$87.00	M
39966	1981	TRANSMISSION TORQUE CONVERTER CLUTCH SOLENOID EXTENSION WIRE 1/2 & 3/4-Ton, With TH350 Trans, Trans Solenoid To Trans Clutch Solenoid Feed Harness	\$87.00	M
39979	1981	TRANSMISSION TORQUE CONVERTER CLUTCH SOLENOID EXTENSION WIRE 2 Wheel Drive, With Egr Bleed Solenoid, Trans Solenoid To Clutch Solenoid Feed Harness	\$127.00	M
39994	1982	TRANSMISSION TORQUE CONVERTER CLUTCH SOLENOID EXTENSION WIRE 1/2-Ton, 2 Wheel Drive, With 250 6cyl & TH350 Trans, Trans Solenoid To Trans Clutch Solenoid Feed Harness	\$127.00	M
40000	1982	TRANSMISSION TORQUE CONVERTER CLUTCH SOLENOID EXTENSION WIRE 1/2-Ton 4 Wheel Drive, 305 & 350 V/8, With 700R4 Trans & California Emission System, Without Egr Bleed Solenoid, Trans	\$127.00	M
40001	1982	TRANSMISSION TORQUE CONVERTER CLUTCH SOLENOID EXTENSION WIRE Suburban, 1/2-Ton 4 Wheel Drive, With 350 V/8, 700R4 Trans & Federal Emissions, & All 3/4-Tons, 4 Wheel Drive, With 350 V/8	\$127.00	M
40004	1982	TRANSMISSION TORQUE CONVERTER CLUTCH SOLENOID EXTENSION WIRE 1/2 & 3/4-Ton, 2 Wheel Drive, With 700R4 Trans & California Emission System, Trans Solenoid To Clutch Solenoid Feed	\$127.00	M
40005	1982	TRANSMISSION TORQUE CONVERTER CLUTCH SOLENOID EXTENSION WIRE 1/2 & 3/4-Ton, 2 Wheel Drive, With 700R4 Trans, Without California Emission System, Trans Solenoid To Clutch Solenoid	\$127.00	M
TRANSMISSION CONTROLLED SPARK HARNESS				
20880	1970	TRANSMISSION CONTROLLED SPARK HARNESS 6 Cylinder, Auto Trans Note: 6 Cylinder Items Are Not Returnable.	\$101.00	
20885	1970	TRANSMISSION CONTROLLED SPARK HARNESS 6 Cylinder, Manual Trans Note: 6 Cylinder Items Are Not Returnable.	\$94.00	
20870	1970	TRANSMISSION CONTROLLED SPARK HARNESS V/8, Auto Trans	\$94.00	
20860	1970	TRANSMISSION CONTROLLED SPARK HARNESS V/8, Manual Trans	\$105.00	
20865	1970	TRANSMISSION CONTROLLED SPARK HARNESS All V/8 With TH400 A/T, (Includes TH400 Kickdown Wiring)	\$137.00	
20875	1970	TRANSMISSION CONTROLLED SPARK HARNESS 396-400 C.I. Manual Trans Only	\$105.00	
22040	1971	TRANSMISSION CONTROLLED SPARK HARNESS 6 Cylinder, Auto Trans Note: 6 Cylinder Items Are Not Returnable.	\$105.00	
22020	1971	TRANSMISSION CONTROLLED SPARK HARNESS 6 Cylinder, Manual Trans Note: 6 Cylinder Items Are Not Returnable.	\$101.00	
22045	1971	TRANSMISSION CONTROLLED SPARK HARNESS V/8, Auto Trans	\$105.00	

Part Number	Year	Description	Price	*Rev.
22055	1971	TRANSMISSION CONTROLLED SPARK HARNESS V/8, TH400 Auto Trans	\$105.00	
22050	1971	TRANSMISSION CONTROLLED SPARK HARNESS V/8, Manual Trans	\$105.00	
23475	1972	TRANSMISSION CONTROLLED SPARK HARNESS Auto Trans	\$111.00	
22025	1972	TRANSMISSION CONTROLLED SPARK HARNESS Manual Trans	\$111.00	
22035	1972	TRANSMISSION CONTROLLED SPARK HARNESS 396-400 C.I. Auto Trans Only	\$106.00	
22030	1972	TRANSMISSION CONTROLLED SPARK HARNESS 396-400 C.I. Manual Trans Only	\$111.00	
39752	1973	TRANSMISSION CONTROLLED SPARK HARNESS 6 Cyl., With Auto Trans Note: 6 Cylinder Items Are Not Returnable.	\$105.00	M
39753	1973	TRANSMISSION CONTROLLED SPARK HARNESS 6 Cyl, With 3 Speed Manual Trans Note: 6 Cylinder Items Are Not Returnable.	\$105.00	M
21220	1973	TRANSMISSION CONTROLLED SPARK HARNESS V/8, With 3 Speed Manual Trans	\$105.00	M
21215	1973	TRANSMISSION CONTROLLED SPARK HARNESS V/8, With Auto Trans	\$105.00	M
39765	1974	TRANSMISSION CONTROLLED SPARK HARNESS 6 Cyl, With 3 Speed Manual Trans Note: 6 Cylinder Items Are Not Returnable.	\$105.00	M
39766	1974	TRANSMISSION CONTROLLED SPARK HARNESS V/8, With 3 Speed Manual Trans	\$105.00	M
TURN SIGNAL HARNESS				
34365	1955	TURN SIGNAL HARNESS Dash Side	\$80.00	
34430	1955	TURN SIGNAL HARNESS Engine Side	\$26.00	
34360	1956	TURN SIGNAL HARNESS Dash Side	\$74.00	
34570	1956	TURN SIGNAL HARNESS Engine Side	\$26.00	
34355	1957	TURN SIGNAL HARNESS Dash Side	\$67.00	
34570	1957	TURN SIGNAL HARNESS Engine Side	\$26.00	
34355	1958	TURN SIGNAL HARNESS Dash Side	\$67.00	
34570	1958	TURN SIGNAL HARNESS Engine Side	\$26.00	
34355	1959	TURN SIGNAL HARNESS Dash Side	\$67.00	
34570	1959	TURN SIGNAL HARNESS Engine Side	\$26.00	
TURN SIGNAL LEVER WIPER SWITCH				
25111262	1984	TURN SIGNAL LEVER WIPER SWITCH Black, With Pulse Wipers, With Cruise Control	\$26.00	N
22510733	1984	TURN SIGNAL LEVER WIPER SWITCH Black, With Pulse Wipers, Without Cruise Control	\$20.00	N
22510732	1984	TURN SIGNAL LEVER WIPER SWITCH Black, Without Pulse Wipers, Without Cruise Control	\$20.00	N
25031456	1984	TURN SIGNAL LEVER WIPER SWITCH Chrome, With Pulse Wipers, With Cruise Control	\$26.00	N
22510144	1984	TURN SIGNAL LEVER WIPER SWITCH Chrome, With Pulse Wipers, Without Cruise Control	\$20.00	N
25111262	1985	TURN SIGNAL LEVER WIPER SWITCH Black, With Pulse Wipers, With Cruise Control	\$26.00	N
22510733	1985	TURN SIGNAL LEVER WIPER SWITCH Black, With Pulse Wipers, Without Cruise Control	\$20.00	N
22510732	1985	TURN SIGNAL LEVER WIPER SWITCH Black, Without Pulse Wipers, Without Cruise Control	\$20.00	N
25031456	1985	TURN SIGNAL LEVER WIPER SWITCH Chrome, With Pulse Wipers, With Cruise Control	\$26.00	N
22510144	1985	TURN SIGNAL LEVER WIPER SWITCH Chrome, With Pulse Wipers, Without Cruise Control	\$20.00	N
25111262	1986	TURN SIGNAL LEVER WIPER SWITCH Black, With Pulse Wipers, With Cruise Control	\$26.00	N
22510733	1986	TURN SIGNAL LEVER WIPER SWITCH Black, With Pulse Wipers, Without Cruise Control	\$20.00	N
22510732	1986	TURN SIGNAL LEVER WIPER SWITCH Black, Without Pulse Wipers, Without Cruise Control	\$20.00	N
25031456	1986	TURN SIGNAL LEVER WIPER SWITCH Chrome, With Pulse Wipers, With Cruise Control	\$26.00	N
22510144	1986	TURN SIGNAL LEVER WIPER SWITCH Chrome, With Pulse Wipers, Without Cruise Control	\$20.00	N
25111262	1987	TURN SIGNAL LEVER WIPER SWITCH Black, With Pulse Wipers, With Cruise Control	\$26.00	N
22510733	1987	TURN SIGNAL LEVER WIPER SWITCH Black, With Pulse Wipers, Without Cruise Control	\$20.00	N
22510732	1987	TURN SIGNAL LEVER WIPER SWITCH Black, Without Pulse Wipers, Without Cruise Control	\$20.00	N
25031456	1987	TURN SIGNAL LEVER WIPER SWITCH Chrome, With Pulse Wipers, With Cruise Control	\$26.00	N
22510144	1987	TURN SIGNAL LEVER WIPER SWITCH Chrome, With Pulse Wipers, Without Cruise Control	\$20.00	N

Part Number	Year	Description	Price	*Rev.
25111262	1988	TURN SIGNAL LEVER WIPER SWITCH Black, With Pulse Wipers, With Cruise Control	\$26.00	N
22510733	1988	TURN SIGNAL LEVER WIPER SWITCH Black, With Pulse Wipers, Without Cruise Control	\$20.00	N
22510732	1988	TURN SIGNAL LEVER WIPER SWITCH Black, Without Pulse Wipers, Without Cruise Control	\$20.00	N
25031456	1988	TURN SIGNAL LEVER WIPER SWITCH Chrome, With Pulse Wipers, With Cruise Control	\$26.00	N
22510144	1988	TURN SIGNAL LEVER WIPER SWITCH Chrome, With Pulse Wipers, Without Cruise Control	\$20.00	N
25111262	1989	TURN SIGNAL LEVER WIPER SWITCH Black, With Pulse Wipers, With Cruise Control	\$26.00	N
22510733	1989	TURN SIGNAL LEVER WIPER SWITCH Black, With Pulse Wipers, Without Cruise Control	\$20.00	N
22510732	1989	TURN SIGNAL LEVER WIPER SWITCH Black, Without Pulse Wipers, Without Cruise Control	\$20.00	N
25031456	1989	TURN SIGNAL LEVER WIPER SWITCH Chrome, With Pulse Wipers, With Cruise Control	\$26.00	N
22510144	1989	TURN SIGNAL LEVER WIPER SWITCH Chrome, With Pulse Wipers, Without Cruise Control	\$20.00	N
25111262	1990	TURN SIGNAL LEVER WIPER SWITCH Black, With Pulse Wipers, With Cruise Control	\$26.00	N
22510733	1990	TURN SIGNAL LEVER WIPER SWITCH Black, With Pulse Wipers, Without Cruise Control	\$20.00	N
22510732	1990	TURN SIGNAL LEVER WIPER SWITCH Black, Without Pulse Wipers, Without Cruise Control	\$20.00	N
25031456	1990	TURN SIGNAL LEVER WIPER SWITCH Chrome, With Pulse Wipers, With Cruise Control	\$26.00	N
22510144	1990	TURN SIGNAL LEVER WIPER SWITCH Chrome, With Pulse Wipers, Without Cruise Control	\$20.00	N
25111262	1991	TURN SIGNAL LEVER WIPER SWITCH Black, With Pulse Wipers, With Cruise Control	\$26.00	N
22510733	1991	TURN SIGNAL LEVER WIPER SWITCH Black, With Pulse Wipers, Without Cruise Control	\$20.00	N
22510732	1991	TURN SIGNAL LEVER WIPER SWITCH Black, Without Pulse Wipers, Without Cruise Control	\$20.00	N
25031456	1991	TURN SIGNAL LEVER WIPER SWITCH Chrome, With Pulse Wipers, With Cruise Control	\$26.00	N
22510144	1991	TURN SIGNAL LEVER WIPER SWITCH Chrome, With Pulse Wipers, Without Cruise Control	\$20.00	N
25111262	1992	TURN SIGNAL LEVER WIPER SWITCH Black, With Pulse Wipers, With Cruise Control	\$26.00	N
22510733	1992	TURN SIGNAL LEVER WIPER SWITCH Black, With Pulse Wipers, Without Cruise Control	\$20.00	N
22510732	1992	TURN SIGNAL LEVER WIPER SWITCH Black, Without Pulse Wipers, Without Cruise Control	\$20.00	N
25031456	1992	TURN SIGNAL LEVER WIPER SWITCH Chrome, With Pulse Wipers, With Cruise Control	\$26.00	N
22510144	1992	TURN SIGNAL LEVER WIPER SWITCH Chrome, With Pulse Wipers, Without Cruise Control	\$20.00	N
25111262	1993	TURN SIGNAL LEVER WIPER SWITCH Black, With Pulse Wipers, With Cruise Control	\$26.00	N
22510733	1993	TURN SIGNAL LEVER WIPER SWITCH Black, With Pulse Wipers, Without Cruise Control	\$20.00	N
22510732	1993	TURN SIGNAL LEVER WIPER SWITCH Black, Without Pulse Wipers, Without Cruise Control	\$20.00	N
25031456	1993	TURN SIGNAL LEVER WIPER SWITCH Chrome, With Pulse Wipers, With Cruise Control	\$26.00	N
22510144	1993	TURN SIGNAL LEVER WIPER SWITCH Chrome, With Pulse Wipers, Without Cruise Control	\$20.00	N
25111262	1994	TURN SIGNAL LEVER WIPER SWITCH Black, With Pulse Wipers, With Cruise Control	\$26.00	N
22510733	1994	TURN SIGNAL LEVER WIPER SWITCH Black, With Pulse Wipers, Without Cruise Control	\$20.00	N
22510732	1994	TURN SIGNAL LEVER WIPER SWITCH Black, Without Pulse Wipers, Without Cruise Control	\$20.00	N
25031456	1994	TURN SIGNAL LEVER WIPER SWITCH Chrome, With Pulse Wipers, With Cruise Control	\$26.00	N
22510144	1994	TURN SIGNAL LEVER WIPER SWITCH Chrome, With Pulse Wipers, Without Cruise Control	\$20.00	N
TURN SIGNAL SWITCH				
00897125	1954	TURN SIGNAL HOUSING BUCKET ASSEMBLY Complete With Turn Signal Switch	\$135.00	N
00897125	1955	TURN SIGNAL HOUSING BUCKET ASSEMBLY 1st Series, Complete With Turn Signal Switch	\$135.00	N
00897126	1955	TURN SIGNAL HOUSING BUCKET ASSEMBLY Complete With Turn Signal Switch	\$135.00	N
00897126	1956	TURN SIGNAL HOUSING BUCKET ASSEMBLY Complete With Turn Signal Switch	\$135.00	N
00897151	1957	TURN SIGNAL HOUSING BUCKET ASSEMBLY Complete With Turn Signal Switch	\$135.00	N
00897151	1958	TURN SIGNAL HOUSING BUCKET ASSEMBLY Complete With Turn Signal Switch	\$135.00	N
00897151	1959	TURN SIGNAL HOUSING BUCKET ASSEMBLY Complete With Turn Signal Switch	\$135.00	N
05947677	1954	TURN SIGNAL SWITCH 6 Volt Note: Can Be Used With 12 Volt System Conversions.	\$27.00	
05947677	1955	TURN SIGNAL SWITCH 6 Volt Note: Can Be Used With 12 Volt System Conversions.	\$27.00	

Part Number	Year	Description	Price	*Rev.
05947739	1955	TURN SIGNAL SWITCH 12 Volt Note: Includes Instruction Sheet.	\$27.00	
05947739	1956	TURN SIGNAL SWITCH All Note: Includes Instruction Sheet.	\$27.00	
05948718	1957	TURN SIGNAL SWITCH Note: Includes A Loose Piece 6 Way Connector.	\$27.00	
05948718	1958	TURN SIGNAL SWITCH Note: Includes A Loose Piece 6 Way Connector.	\$27.00	
05948718	1959	TURN SIGNAL SWITCH Note: Includes A Loose Piece 6 Way Connector.	\$27.00	
03765110	1960	TURN SIGNAL SWITCH	\$23.00	
03765110	1961	TURN SIGNAL SWITCH	\$23.00	
03765110	1962	TURN SIGNAL SWITCH	\$23.00	
00898197	1963	TURN SIGNAL SWITCH	\$65.00	N
00910821	1964	TURN SIGNAL SWITCH Without Tilt	\$56.00	N
00910821	1965	TURN SIGNAL SWITCH Without Tilt	\$56.00	N
00910821	1966	TURN SIGNAL SWITCH Without Tilt	\$56.00	N
01997961	1967	TURN SIGNAL SWITCH All With Correct Red "Hazard" Knob	\$57.00	C
01997961	1968	TURN SIGNAL SWITCH All With Correct Red "Hazard" Knob	\$57.00	C
01997961	1969	TURN SIGNAL SWITCH All With Correct Red "Hazard" Knob	\$57.00	C
01997961	1970	TURN SIGNAL SWITCH All With Correct Red "Hazard" Knob	\$57.00	C
01997961	1971	TURN SIGNAL SWITCH All With Correct Red "Hazard" Knob	\$57.00	C
01997961	1972	TURN SIGNAL SWITCH All With Correct Red "Hazard" Knob	\$57.00	C
01997975	1973	TURN SIGNAL SWITCH All	\$38.00	N
01997975	1974	TURN SIGNAL SWITCH All	\$38.00	N
01997975	1975	TURN SIGNAL SWITCH All	\$38.00	N
01997975	1976	TURN SIGNAL SWITCH All	\$38.00	N
01997985	1977	TURN SIGNAL SWITCH All Note: Correct Part, No Adapter Pigtail Required.	\$32.00	C
01997985	1978	TURN SIGNAL SWITCH All Note: Correct Part, No Adapter Pigtail Required.	\$32.00	C
01997985	1979	TURN SIGNAL SWITCH All Note: Correct Part, No Adapter Pigtail Required.	\$32.00	C
01997985	1980	TURN SIGNAL SWITCH All Note: Correct Part, No Adapter Pigtail Required.	\$32.00	C
01997985	1981	TURN SIGNAL SWITCH All Note: Correct Part, No Adapter Pigtail Required.	\$32.00	C
01997985	1982	TURN SIGNAL SWITCH All Note: Correct Part, No Adapter Pigtail Required.	\$32.00	C
01997985	1983	TURN SIGNAL SWITCH All Note: Correct Part, No Adapter Pigtail Required.	\$32.00	C
01997983	1984	TURN SIGNAL SWITCH All	\$32.00	C
01997983	1985	TURN SIGNAL SWITCH All	\$32.00	N
01997983	1986	TURN SIGNAL SWITCH All	\$32.00	N
01997983	1987	TURN SIGNAL SWITCH All	\$32.00	N
01997983	1988	TURN SIGNAL SWITCH Without Pulse Wipers	\$32.00	N
01997988	1988	TURN SIGNAL SWITCH With Pulse Wipers	\$32.00	N
01997983	1989	TURN SIGNAL SWITCH Without Pulse Wipers	\$32.00	N

Part Number	Year	Description	Price	*Rev.
01997988	1989	TURN SIGNAL SWITCH With Pulse Wipers	\$32.00	N
01997983	1990	TURN SIGNAL SWITCH Without Pulse Wipers	\$32.00	N
01997988	1990	TURN SIGNAL SWITCH With Pulse Wipers	\$32.00	N
01997983	1991	TURN SIGNAL SWITCH With Tilt Wheel	\$32.00	N
01997988	1991	TURN SIGNAL SWITCH Without Tilt Wheel	\$32.00	N
01997988	1992	TURN SIGNAL SWITCH All	\$32.00	N
01997988	1993	TURN SIGNAL SWITCH All	\$32.00	N
01997988	1994	TURN SIGNAL SWITCH All	\$32.00	N
VOLTMETER GAUGE				
06474474	1976	VOLTMETER GAUGE Fire Orange Needle	\$39.00	N
06474474	1977	VOLTMETER GAUGE Fire Orange Needle	\$39.00	N
06474474	1978	VOLTMETER GAUGE Fire Orange Needle	\$39.00	N
06474474	1979	VOLTMETER GAUGE 1st Design, Fire Orange Needle	\$39.00	N
06474584	1979	VOLTMETER GAUGE 2nd Design, Light Orange Needle	\$39.00	N
06474584	1980	VOLTMETER GAUGE Light Orange Needle	\$39.00	N
06474584	1981	VOLTMETER GAUGE Light Orange Needle	\$39.00	N
06474584	1982	VOLTMETER GAUGE Light Orange Needle	\$39.00	N
06474584	1983	VOLTMETER GAUGE Light Orange Needle	\$39.00	N
06474584	1984	VOLTMETER GAUGE Light Orange Needle	\$39.00	N
06474584	1985	VOLTMETER GAUGE Light Orange Needle	\$39.00	N
06474584	1986	VOLTMETER GAUGE Light Orange Needle	\$39.00	N
06474584	1987	VOLTMETER GAUGE Light Orange Needle	\$39.00	N
WINDSHIELD WASHER PUMP				
04919332	1964	WINDSHIELD WASHER PUMP All	\$60.00	N
04919332	1965	WINDSHIELD WASHER PUMP All	\$60.00	N
04919332	1966	WINDSHIELD WASHER PUMP All	\$60.00	N
04919332	1967	WINDSHIELD WASHER PUMP All	\$60.00	N
04919332	1968	WINDSHIELD WASHER PUMP All	\$60.00	N
04919332	1969	WINDSHIELD WASHER PUMP All	\$60.00	N
04919332	1970	WINDSHIELD WASHER PUMP All	\$60.00	N
04919332	1971	WINDSHIELD WASHER PUMP All	\$60.00	N
04919332	1972	WINDSHIELD WASHER PUMP All	\$60.00	N
WINDSHIELD WIPER MOTOR				
44610	1947	WINDSHIELD WIPER MOTOR KIT 12 Volt Conversion Kit Note: Replaces Original Vacuum Operated Wiper Motor.	\$231.00	N
44611	1947	WINDSHIELD WIPER MOTOR KIT 6 Volt Conversion Kit Note: Replaces Original Vacuum Operated Wiper Motor.	\$231.00	N
44610	1948	WINDSHIELD WIPER MOTOR KIT 12 Volt Conversion Kit Note: Replaces Original Vacuum Operated Wiper Motor.	\$231.00	N
44611	1948	WINDSHIELD WIPER MOTOR KIT 6 Volt Conversion Kit Note: Replaces Original Vacuum Operated Wiper Motor.	\$231.00	N
44610	1949	WINDSHIELD WIPER MOTOR KIT 12 Volt Conversion Kit Note: Replaces Original Vacuum Operated Wiper Motor.	\$231.00	N
44611	1949	WINDSHIELD WIPER MOTOR KIT 6 Volt Conversion Kit Note: Replaces Original Vacuum Operated Wiper Motor.	\$231.00	N
44610	1950	WINDSHIELD WIPER MOTOR KIT 12 Volt Conversion Kit Note: Replaces Original Vacuum Operated Wiper Motor.	\$231.00	N

Part Number	Year	Description	Price	*Rev.
44611	1950	WINDSHIELD WIPER MOTOR KIT 6 Volt Conversion Kit Note: Replaces Original Vacuum Operated Wiper Motor.	\$231.00	N
44610	1951	WINDSHIELD WIPER MOTOR KIT 12 Volt Conversion Kit Note: Replaces Original Vacuum Operated Wiper Motor.	\$231.00	N
44611	1951	WINDSHIELD WIPER MOTOR KIT 6 Volt Conversion Kit Note: Replaces Original Vacuum Operated Wiper Motor.	\$231.00	N
44610	1952	WINDSHIELD WIPER MOTOR KIT 12 Volt Conversion Kit Note: Replaces Original Vacuum Operated Wiper Motor.	\$231.00	N
44611	1952	WINDSHIELD WIPER MOTOR KIT 6 Volt Conversion Kit Note: Replaces Original Vacuum Operated Wiper Motor.	\$231.00	N
44610	1953	WINDSHIELD WIPER MOTOR KIT 12 Volt Conversion Kit Note: Replaces Original Vacuum Operated Wiper Motor.	\$231.00	N
44611	1953	WINDSHIELD WIPER MOTOR KIT 6 Volt Conversion Kit Note: Replaces Original Vacuum Operated Wiper Motor.	\$231.00	N
44612	1954	WINDSHIELD WIPER MOTOR KIT 12 Volt Conversion Kit Note: Replaces Original Vacuum Operated Wiper Motor.	\$231.00	N
44613	1954	WINDSHIELD WIPER MOTOR KIT 6 Volt Conversion Kit Note: Replaces Original Vacuum Operated Wiper Motor.	\$231.00	N
44612	1955	WINDSHIELD WIPER MOTOR KIT 1st Series, 12 Volt Conversion Kit Note: Replaces Original Vacuum Operated Wiper Motor.	\$231.00	N
44613	1955	WINDSHIELD WIPER MOTOR KIT 1st Series, 6 Volt Conversion Kit Note: Replaces Original Vacuum Operated Wiper Motor.	\$231.00	N
04911476	1963	WINDSHIELD WIPER MOTOR 2-Speed, 3-Terminal Type Motor	\$92.00	N
44609	1963	WINDSHIELD WIPER MOTOR 2-Speed, 4-Terminal Type Motor Note: This Can Be Used In Place Of The 3-Terminal Motor. The 4th Terminal Is A Keyed Hot From Wiper Fuse In Fuse Box And May Or May Not Be Used In Some Applications.	\$106.00	N
04911476	1964	WINDSHIELD WIPER MOTOR 2-Speed, 3-Terminal Type Motor	\$92.00	N
44609	1964	WINDSHIELD WIPER MOTOR 2-Speed, 4-Terminal Type Motor Note: This Can Be Used In Place Of The 3-Terminal Motor. The 4th Terminal Is A Keyed Hot From Wiper Fuse In Fuse Box And May Or May Not Be Used In Some Applications.	\$106.00	N
04911476	1965	WINDSHIELD WIPER MOTOR 2-Speed, 3-Terminal Type Motor	\$92.00	N
44609	1965	WINDSHIELD WIPER MOTOR 2-Speed, 4-Terminal Type Motor Note: This Can Be Used In Place Of The 3-Terminal Motor. The 4th Terminal Is A Keyed Hot From Wiper Fuse In Fuse Box And May Or May Not Be Used In Some Applications.	\$106.00	N
04911476	1966	WINDSHIELD WIPER MOTOR 2-Speed, 3-Terminal Type Motor	\$92.00	N
44609	1966	WINDSHIELD WIPER MOTOR 2-Speed, 4-Terminal Type Motor Note: This Can Be Used In Place Of The 3-Terminal Motor. The 4th Terminal Is A Keyed Hot From Wiper Fuse In Fuse Box And May Or May Not Be Used In Some Applications.	\$106.00	N
04911476	1967	WINDSHIELD WIPER MOTOR 2-Speed, 3-Terminal Type Motor	\$92.00	N
44609	1967	WINDSHIELD WIPER MOTOR 2-Speed, 4-Terminal Type Motor Note: This Can Be Used In Place Of The 3-Terminal Motor. The 4th Terminal Is A Keyed Hot From Wiper Fuse In Fuse Box And May Or May Not Be Used In Some Applications.	\$106.00	N
04911476	1968	WINDSHIELD WIPER MOTOR 2-Speed, 3-Terminal Type Motor	\$92.00	N
44609	1968	WINDSHIELD WIPER MOTOR 2-Speed, 4-Terminal Type Motor Note: This Can Be Used In Place Of The 3-Terminal Motor. The 4th Terminal Is A Keyed Hot From Wiper Fuse In Fuse Box And May Or May Not Be Used In Some Applications.	\$106.00	N
04911476	1969	WINDSHIELD WIPER MOTOR 2-Speed, 3-Terminal Type Motor	\$92.00	N
44609	1969	WINDSHIELD WIPER MOTOR 2-Speed, 4-Terminal Type Motor Note: This Can Be Used In Place Of The 3-Terminal Motor. The 4th Terminal Is A Keyed Hot From Wiper Fuse In Fuse Box And May Or May Not Be Used In Some Applications.	\$106.00	N

Part Number	Year	Description	Price	*Rev.
04911476	1970	WINDSHIELD WIPER MOTOR 2-Speed, 3-Terminal Type Motor	\$92.00	N
44609	1970	WINDSHIELD WIPER MOTOR 2-Speed, 4-Terminal Type Motor Note: This Can Be Used In Place Of The 3-Terminal Motor. The 4th Terminal Is A Keyed Hot From Wiper Fuse In Fuse Box And May Or May Not Be Used In Some Applications.	\$106.00	N
04911476	1971	WINDSHIELD WIPER MOTOR 2-Speed, 3-Terminal Type Motor	\$92.00	N
44609	1971	WINDSHIELD WIPER MOTOR 2-Speed, 4-Terminal Type Motor Note: This Can Be Used In Place Of The 3-Terminal Motor. The 4th Terminal Is A Keyed Hot From Wiper Fuse In Fuse Box And May Or May Not Be Used In Some Applications.	\$106.00	N
04911476	1972	WINDSHIELD WIPER MOTOR 2-Speed, 3-Terminal Type Motor	\$92.00	N
44609	1972	WINDSHIELD WIPER MOTOR 2-Speed, 4-Terminal Type Motor Note: This Can Be Used In Place Of The 3-Terminal Motor. The 4th Terminal Is A Keyed Hot From Wiper Fuse In Fuse Box And May Or May Not Be Used In Some Applications.	\$106.00	N
WINDSHIELD WIPER SWITCH				
01993541	1960	WINDSHIELD WIPER SWITCH Single Speed, With Washer	\$45.00	
01993541	1961	WINDSHIELD WIPER SWITCH Single Speed, With Washer	\$45.00	
01993541	1962	WINDSHIELD WIPER SWITCH Single Speed, With Washer	\$45.00	
01993541	1963	WINDSHIELD WIPER SWITCH Single Speed, With Washer	\$45.00	
01993584	1963	WINDSHIELD WIPER SWITCH Two Speed, With Washer	\$52.00	
01993641	1964	WINDSHIELD WIPER SWITCH Two Speed, With Washer	\$45.00	
01993641	1965	WINDSHIELD WIPER SWITCH Two Speed, With Washer	\$45.00	
01993641	1966	WINDSHIELD WIPER SWITCH Two Speed, With Washer	\$45.00	
01993372	1967	WINDSHIELD WIPER SWITCH All	\$45.00	
01993432	1968	WINDSHIELD WIPER SWITCH All	\$24.00	
01993432	1969	WINDSHIELD WIPER SWITCH All	\$24.00	
01993432	1970	WINDSHIELD WIPER SWITCH All	\$24.00	
01993432	1971	WINDSHIELD WIPER SWITCH All	\$24.00	
01993432	1972	WINDSHIELD WIPER SWITCH All	\$24.00	
01994151	1973	WINDSHIELD WIPER SWITCH	\$47.00	M
01994151	1974	WINDSHIELD WIPER SWITCH	\$47.00	M
01994172	1975	WINDSHIELD WIPER SWITCH Without Pulse Wipers	\$47.00	N
01994172	1976	WINDSHIELD WIPER SWITCH Without Pulse Wipers	\$47.00	N
01994172	1977	WINDSHIELD WIPER SWITCH Without Pulse Wipers	\$47.00	N
14028808	1978	WINDSHIELD WIPER SWITCH With Pulse Wipers	\$35.00	N
14028807	1978	WINDSHIELD WIPER SWITCH Without Pulse Wipers	\$27.00	N
14028808	1979	WINDSHIELD WIPER SWITCH With Pulse Wipers	\$35.00	N
14028807	1979	WINDSHIELD WIPER SWITCH Without Pulse Wipers	\$27.00	N
14028808	1980	WINDSHIELD WIPER SWITCH With Pulse Wipers	\$35.00	N
14028807	1980	WINDSHIELD WIPER SWITCH Without Pulse Wipers	\$27.00	N
14028808	1981	WINDSHIELD WIPER SWITCH With Pulse Wipers	\$35.00	N
14028807	1981	WINDSHIELD WIPER SWITCH Without Pulse Wipers	\$27.00	N
14028808	1982	WINDSHIELD WIPER SWITCH With Pulse Wipers	\$35.00	N
14028807	1982	WINDSHIELD WIPER SWITCH Without Pulse Wipers	\$27.00	N
14028808	1983	WINDSHIELD WIPER SWITCH With Pulse Wipers	\$35.00	N
14028807	1983	WINDSHIELD WIPER SWITCH Without Pulse Wipers	\$27.00	N
WIPER MOTOR HARNESS				
38066	1961	WIPER MOTOR HARNESS Single Speed Wipers	\$48.00	
38063	1961	WIPER MOTOR HARNESS 2 Speed Wipers	\$38.00	

Part Number	Year	Description	Price	*Rev.
30175	1964	WIPER MOTOR HARNESS 2 Speed Wipers	\$32.00	
30175	1965	WIPER MOTOR HARNESS 2 Speed Wipers	\$32.00	
30175	1966	WIPER MOTOR HARNESS 2 Speed Wipers	\$32.00	
WIRING JUNCTION BLOCK				
01865535	1940	WIRING JUNCTION BLOCK 3-Terminal, Headlamp Wire Junction	\$12.00	N
01998756	1940	WIRING JUNCTION BLOCK 4-Terminal, Headlamp Wire Junction	\$13.00	N
01998757	1940	WIRING JUNCTION BLOCK 5-Terminal, Headlamp Wire Junction	\$19.00	N
01865535	1941	WIRING JUNCTION BLOCK 3-Terminal, Headlamp Wire Junction	\$12.00	N
01998756	1941	WIRING JUNCTION BLOCK 4-Terminal, Headlamp Wire Junction	\$13.00	N
01998757	1941	WIRING JUNCTION BLOCK 5-Terminal, Headlamp Wire Junction	\$19.00	N
01865535	1942	WIRING JUNCTION BLOCK 3-Terminal, Headlamp Wire Junction	\$12.00	N
01998756	1942	WIRING JUNCTION BLOCK 4-Terminal, Headlamp Wire Junction	\$13.00	N
01998757	1942	WIRING JUNCTION BLOCK 5-Terminal, Headlamp Wire Junction	\$19.00	N
01865535	1943	WIRING JUNCTION BLOCK 3-Terminal, Headlamp Wire Junction	\$12.00	N
01998756	1943	WIRING JUNCTION BLOCK 4-Terminal, Headlamp Wire Junction	\$13.00	N
01998757	1943	WIRING JUNCTION BLOCK 5-Terminal, Headlamp Wire Junction	\$19.00	N
01865535	1944	WIRING JUNCTION BLOCK 3-Terminal, Headlamp Wire Junction	\$12.00	N
01998756	1944	WIRING JUNCTION BLOCK 4-Terminal, Headlamp Wire Junction	\$13.00	N
01998757	1944	WIRING JUNCTION BLOCK 5-Terminal, Headlamp Wire Junction	\$19.00	N
01865535	1945	WIRING JUNCTION BLOCK 3-Terminal, Headlamp Wire Junction	\$12.00	N
01998756	1945	WIRING JUNCTION BLOCK 4-Terminal, Headlamp Wire Junction	\$13.00	N
01998757	1945	WIRING JUNCTION BLOCK 5-Terminal, Headlamp Wire Junction	\$19.00	N
01865535	1946	WIRING JUNCTION BLOCK 3-Terminal, Headlamp Wire Junction	\$12.00	N
01998756	1946	WIRING JUNCTION BLOCK 4-Terminal, Headlamp Wire Junction	\$13.00	N
01998757	1946	WIRING JUNCTION BLOCK 5-Terminal, Headlamp Wire Junction	\$19.00	N
01865535	1947	WIRING JUNCTION BLOCK 3-Terminal, Headlamp Wire Junction	\$12.00	N
01998756	1947	WIRING JUNCTION BLOCK 4-Terminal, Headlamp Wire Junction	\$13.00	N
01998757	1947	WIRING JUNCTION BLOCK 5-Terminal, Headlamp Wire Junction	\$19.00	N
01865535	1948	WIRING JUNCTION BLOCK 3-Terminal, Headlamp Wire Junction	\$12.00	N
01998756	1948	WIRING JUNCTION BLOCK 4-Terminal, Headlamp Wire Junction	\$13.00	N
01998757	1948	WIRING JUNCTION BLOCK 5-Terminal, Headlamp Wire Junction	\$19.00	N
01865535	1949	WIRING JUNCTION BLOCK 3-Terminal, Headlamp Wire Junction	\$12.00	N
01998756	1949	WIRING JUNCTION BLOCK 4-Terminal, Headlamp Wire Junction	\$13.00	N
01998757	1949	WIRING JUNCTION BLOCK 5-Terminal, Headlamp Wire Junction	\$19.00	N
01865535	1950	WIRING JUNCTION BLOCK 3-Terminal, Headlamp Wire Junction	\$12.00	N
01998756	1950	WIRING JUNCTION BLOCK 4-Terminal, Headlamp Wire Junction	\$13.00	N
01998757	1950	WIRING JUNCTION BLOCK 5-Terminal, Headlamp Wire Junction	\$19.00	N
01865535	1951	WIRING JUNCTION BLOCK 3-Terminal, Headlamp Wire Junction	\$12.00	N
01998756	1951	WIRING JUNCTION BLOCK 4-Terminal, Headlamp Wire Junction	\$13.00	N
01998757	1951	WIRING JUNCTION BLOCK 5-Terminal, Headlamp Wire Junction	\$19.00	N
01865535	1952	WIRING JUNCTION BLOCK 3-Terminal, Headlamp Wire Junction	\$12.00	N
01998756	1952	WIRING JUNCTION BLOCK 4-Terminal, Headlamp Wire Junction	\$13.00	N
01998757	1952	WIRING JUNCTION BLOCK 5-Terminal, Headlamp Wire Junction	\$19.00	N
01865535	1953	WIRING JUNCTION BLOCK 3-Terminal, Headlamp Wire Junction	\$12.00	N
01998756	1953	WIRING JUNCTION BLOCK 4-Terminal, Headlamp Wire Junction	\$13.00	N
01998757	1953	WIRING JUNCTION BLOCK 5-Terminal, Headlamp Wire Junction	\$19.00	N
01998756	1954	WIRING JUNCTION BLOCK 4-Terminal, Headlamp Wire Junction	\$13.00	N

Chevy Truck



Phone (562) 926-9552

Fax (562) 926-9572

Part Number	Year	Description	Price	*Rev.
01998757	1954	WIRING JUNCTION BLOCK 5-Terminal, Headlamp Wire Junction	\$19.00	N
01998756	1955	WIRING JUNCTION BLOCK 1st Series, 4-Terminal, Headlamp Wire Junction	\$13.00	N
01998757	1955	WIRING JUNCTION BLOCK 1st Series, 5-Terminal, Headlamp Wire Junction	\$19.00	N