

INSTRUCTION SHEET FOR HEATER-A/C CONTROL

If the original equipment control (removed) had only a two-port vacuum system, plug the vacuum valve port shown with a short piece of vacuum hose (windshield hose) and insert a closed-end rivet as demonstrated in figure 1.

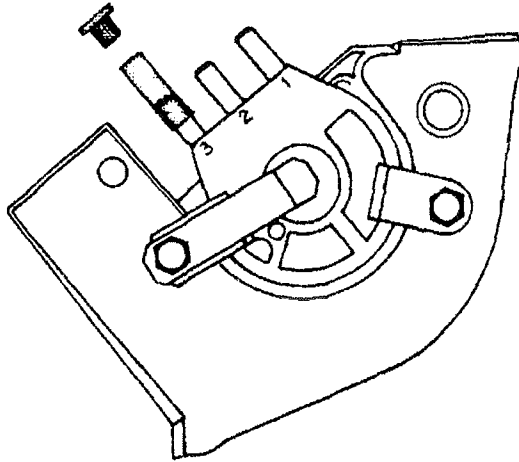


FIGURE 1

| | |
|---|-----------------|
| M&H Electric Fabricators, Inc. AUTOMOTIVE WIRING SYSTEMS Phone (562) 928-9552 Fax (562) 928-9572 | |
| TITLE INSTRUCTION SHEET HEATER-A/C CONTROL SWITCH | |
| DWG NO. | 92974175 |

INSTRUCTION SHEET FOR HEATER-A/C CONTROL

If the original equipment control (removed) had only a two-port vacuum system, plug the vacuum valve port shown with a short piece of vacuum hose (windshield hose) and insert a closed-end rivet as demonstrated in figure 1.

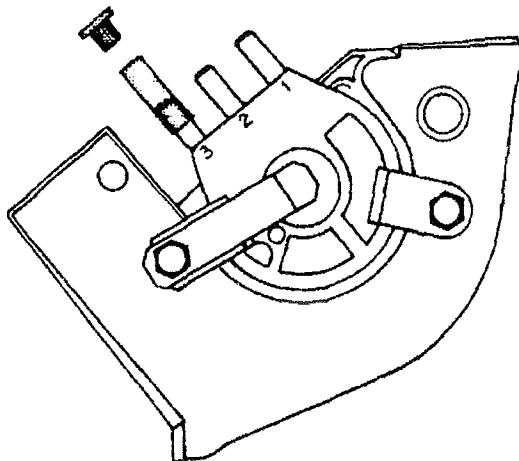


FIGURE 1

| | |
|---|-----------------|
| M&H Electric Fabricators, Inc. AUTOMOTIVE WIRING SYSTEMS Phone (562) 928-9552 Fax (562) 928-9572 | |
| TITLE INSTRUCTION SHEET HEATER-A/C CONTROL SWITCH | |
| DWG NO. | 92974175 |