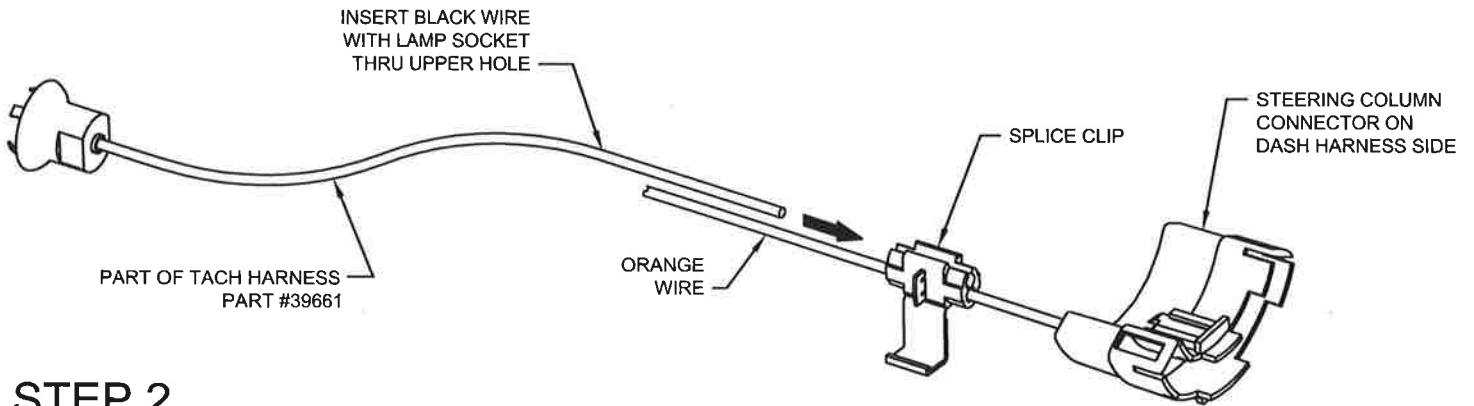
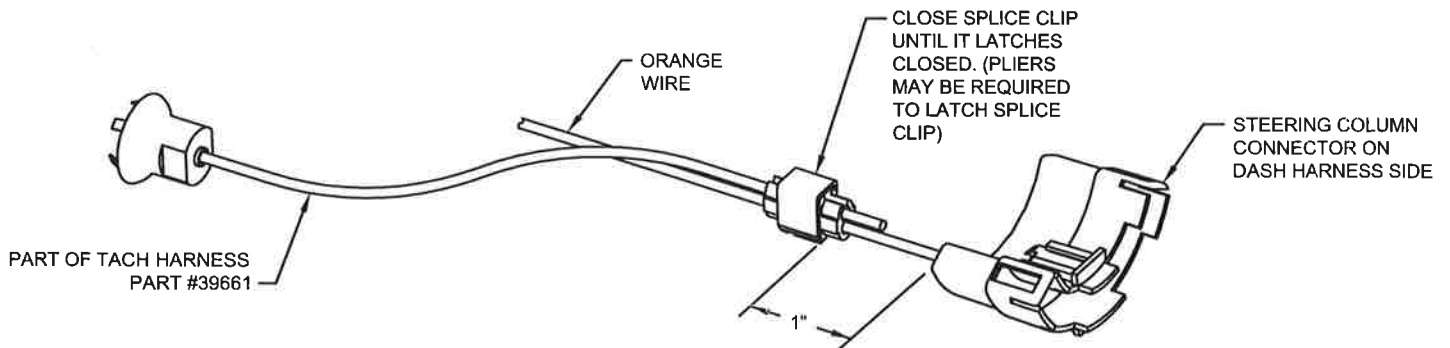


### STEP 1



### STEP 2



### STEP 3

NOTE: THE FOLLOWING INSTRUCTIONS INDICATE HOW THE FACTORY INSTALLED THIS TACHOMETER HARNESS IN YOUR 1969 AMC SC/RAMBLER. WE HAVE GONE TO GREAT LENGTHS TO INSURE AUTHENTICITY. IF YOU HAVE ANY QUESTIONS CALL OUR TECHNICAL SUPPORT LINE AT 562-926-9552.

**M&H ELECTRIC FABRICATORS, INC.**  
 AUTOMOTIVE WIRING SYSTEMS  
 (562) 926-9552 www.wiringharnes.com

INSTRUCTION SHEET FOR PART #39661

**92967733**