

Note: 1964-66 Hookup sequence is color for color to dash harness

1963 Hookup sequence matches the wire colors from the adapter harness to the colors in the dash harness steering column connector according to the following chart:

Adapter harness color	Dash harness color
Black	Tan or Dark Green
Light Blue	Light Blue
Dark Blue	Dark Blue
Purple	Yellow
Yellow	Pink
Dark Green	Purple
White	White

M&H Electric Fabricators, Inc.

AUTOMOTIVE WIRING SYSTEMS

Phone (562) 926-9552 Fax (562) 926-9572

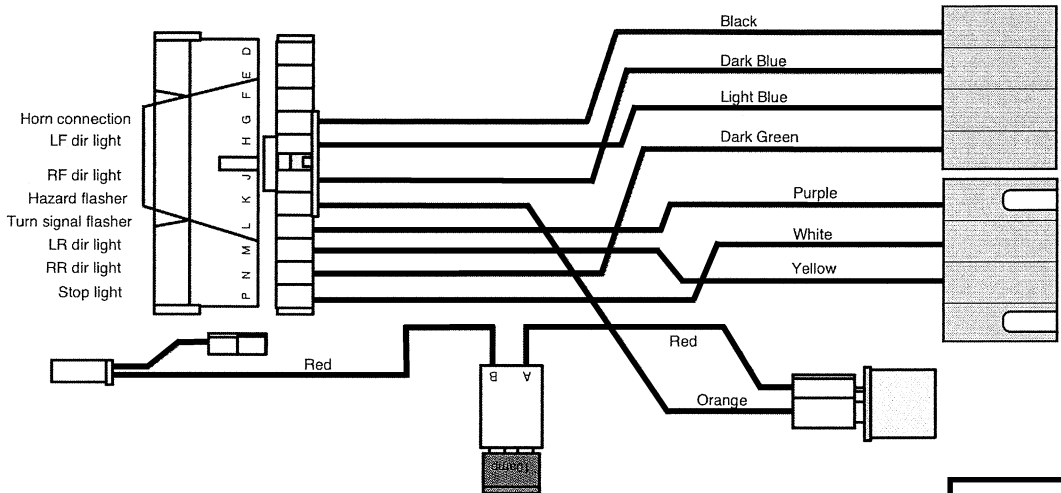
1964-66 CHEVY CORVETTE
 1963-65 CHEVY NOVA
 1963-66 CHEVY PASS
 1965-66 CHEVY CORVAIR
 1963-66 CHEVY TRUCK
 to
 1975 up steering column

TITLE

INSTRUCTION SHEET
 STEERING COLUMN ADAPTER

DWG NO.

92964898



Note: 1964-66 Hookup sequence is color for color to dash harness

1963 Hookup sequence matches the wire colors from the adapter harness to the colors in the dash harness steering column connector according to the following chart:

Adapter harness color	Dash harness color
Black	Tan or Dark Green
Light Blue	Light Blue
Dark Blue	Dark Blue
Purple	Yellow
Yellow	Pink
Dark Green	Purple
White	White

M&H Electric Fabricators, Inc.

AUTOMOTIVE WIRING SYSTEMS

Phone (562) 926-9552 Fax (562) 926-9572

1964-66 CHEVY CORVETTE
 1963-65 CHEVY NOVA
 1963-66 CHEVY PASS
 1965-66 CHEVY CORVAIR
 1963-66 CHEVY TRUCK
 to
 1975 up steering column

TITLE

INSTRUCTION SHEET
 STEERING COLUMN ADAPTER

DWG NO.

92964898