



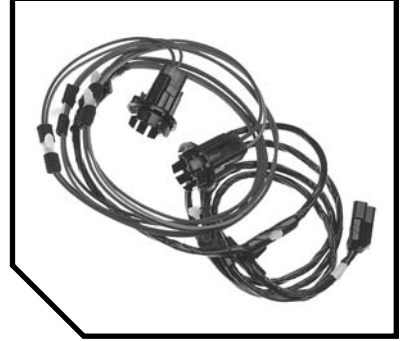
# **Electrical Restoration Products**

**Pontiac Fullsize  
Grand Prix**

**Phone 562.926.9552  
Fax 562.926.9572  
sparky@wiringharness.com**

**[www.wiringharness.com](http://www.wiringharness.com)**

## **WIRING HARNESSES**



## **BATTERY CABLES**



## **SWITCHES**



# **Buy with Confidence !**

## **Made in the U.S.A.**

All of our harnesses are hand assembled in the U.S.A.

## **Correct Color Wires**

Our harnesses always match the original factory color codes and gauge sizes. We use U.S.A. made Cross Linked Polyethylene type GXL wire which is much more tolerant to heat than the original PVC type GPT wire that was used from the factory.

## **Dip Soldered (when applicable)**

All terminals are dip soldered (when applicable) to limit resistance loss.

## **Correct Connectors & Terminals**

With over 300,000 connectors and terminals in stock you can be sure the harness you receive will look identical to the original.

## **Correct Non-Adhesive & Cloth Tapes**

All harnesses are wrapped with the correct non-adhesive or cloth woven tapes to assure a 100% factory appearance.

## **Technical Support**

We don't expect our customers to be "wiring-wizards", you can call us direct with any technical questions you may have.

## **Custom Modifications**

Custom modifications are available to allow you to convert from an external regulated alternator to an internal regulated alternator. This modification is available for most '63 and up GM cars and trucks. We can also convert many of our engine harnesses to work with H.E.I. distributors and electric chokes. Our modifications retain the factory appearance. Call our Customer Service Department for more details.

## **Reproduction Switches**

We manufacture an extensive line of reproduction switches. These include Turn Signal, Backup Light, Neutral Safety, Wiper, Headlight Switches and others. As with all of our restoration products our switches will fit and function perfectly, just like the originals.

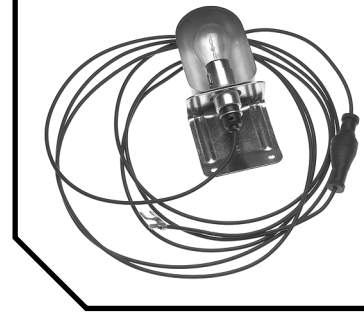
## **Guarantee & Warranty**

We are so confident in the quality of all of our restoration products that we offer the following guarantee and warranty. If you are not 100% satisfied with the quality of any of our restoration products we will give you a full refund. Just return the unused item within 30 days of receipt for a full refund. We also offer a full 1 year replacement warranty on all of the products we sell (see our product warranty sheet for more info).

## **Method of Payment**

We accept Visa, Master Card, American Express and Discover. If you prefer to pre-pay your order, we accept Money Orders, Cashiers Checks or Personal Checks. C.O.D. shipments are also available.

## **LIGHTING KITS**



## **1 WIRE IGNITION**



## **HARNESS TAPE**



***"M&H Harnesses are perfect reproductions created with correct color wires from Original GM wiring schematics".***

**MUSCLECAR ENTHUSIAST  
MAGAZINE**

# **[www.wiringharness.com](http://www.wiringharness.com)**

# Alternator Conversion Kits

**See car line catalogs  
for specific applications**

## **Alternator Conversion Kit External to "SI" Type Internal**

Our most popular Alternator Conversion Kit. This kit makes it easy to convert from an External Regulated Alternator to an "SI" Type Internal Regulated Alternator. Kit includes both adapters and an instruction sheet.

Easy to install:

1) Disconnect the external voltage regulator leads and plug our "Special Regulator Adapter" into the voltage regulator lead wires. 2) Disconnect the alternator lead wires. 3) Install new "SI" Type Internal Regulated alternator. 4) Plug one end of our "Alternator Adapter" into the original alternator lead wires and the other into the alternator.

*Typical application is '63-'74 GM Cars & Trucks, see carline catalogs for specific application information.*

Part #27555

Retail \$29.00



## **Alternator Conversion Kit External to "CS" Type Internal**

This kit makes it easy to convert from an External Regulated Alternator to a "CS" Type Internal Regulated Alternator. Kit includes both adapters and an instruction sheet.

Easy to install:

1) Disconnect the external voltage regulator leads and plug our "Special Regulator Adapter" into the voltage regulator lead wires. 2) Disconnect the alternator lead wires. 3) Install new "SI" Type Internal Regulated alternator. 4) Plug one end of our "Alternator Adapter" into the original alternator lead wires and the other into the alternator.

*Typical application is '63-'74 GM Cars & Trucks, see carline catalogs for specific application information.*

Part #37787

Retail \$34.00



## **Alternator Conversion Kit "SI" Type Internal to CS130/CS144 Type Internal**

Allows for an easy conversion from an "SI" type internal regulated alternator to a "CS130" or "CS144" type internal regulated alternator. Simple to install, the mating end of the adapter pigtail plugs perfectly to the original alternator connector, and the other end plugs right into any "CS130" or "CS144" type alternator. Kit includes adapter pigtail and an instruction sheet.

*Typical application is '69-'84 GM Cars & Trucks, see carline catalogs for specific application information.*

Part #37796

Retail \$26.00



# Alternator Conversion Kits

See car line catalogs for specific applications

## Alternator Conversion Kit

### "SI" Type Internal to "CS130D" Type Internal

Allows for an easy conversion from an "SI" type internal regulated alternator to a "CS130D" type internal regulated alternator. Simple to install, the mating end of the adapter pigtail plugs perfectly to the original alternator connector, and the other end plugs right into any "CS130D" type alternator. Kit includes adapter pigtail and an instruction sheet.

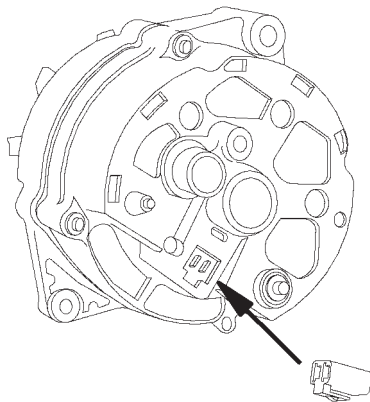
Typical application is '69-'84 GM Cars & Trucks, see carline catalogs for specific application information.

Part #39472

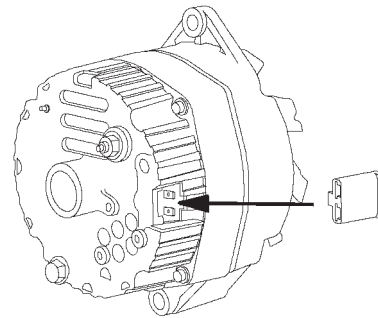
Retail \$27.00



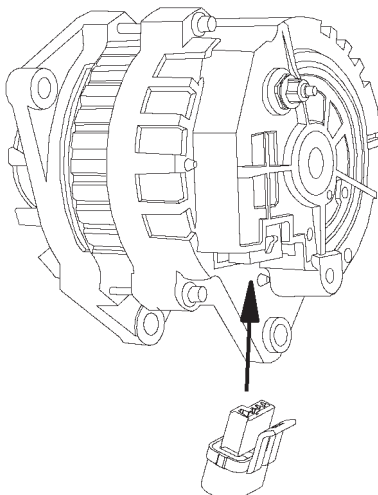
## Alternator Identification



1963-1974  
External Regulated Alternator



1969-1984 "SI" Type  
Internal Regulated Alternator



1984-1999 "CS130" & "CS144" Type  
Internal Regulated Alternator



1994-Newer "CS130D" Type  
Internal Regulated Alternator

# **Breakerless SE Single Wire Ignition**

**Simple 1 Wire Hook-Up, just connect the original points wire to the module**

**Completely stock appearance**

**Emissions Legal in all 50 States**

**Three year warranty**

The Breakerless SE allows you to convert any 1957 to 1974 GM, AMC or Jeep V8 breaker point type distributor (with a windowed type distributor cap) to a reliable solid-state electronic ignition, utilizing a fully integrated trigger and power module that fits completely inside the distributor.

Unlike competitive systems though, no additional wires protrude from the distributor, only the original points wire. The result is a state-of-the-art ignition with an absolutely stock appearance. The Breakerless SE is so unique that it's patented !



**Outstanding features of this unit include:**

- Single wire operation to preserve stock appearance and simplify wiring.
- Active dwell control maintains high rpm spark energy while reducing coil heating at idle.
- Auto-standby prevents coil damage or dead battery if the ignition is accidentally left on.
- Hall effect rotary-vane sensor design compensates for worn bearings and distributor end play. Magnetic sensor is unaffected by oil, dirt or other contaminants, unlike optical systems.
- Over-voltage/over-current protected against damage from high amp battery chargers, reversed battery, or improper wiring.
- Constructed with premium quality components. Sealed, hi-temp thermoplastic housing provides exceptional resistance against moisture and vibration.
- No distributor modification, disassembly, or removal is required.

Kit comes complete with everything you'll need to install the Breakerless SE Single Wire Ignition. Kit includes: 1 Module, 1 (two-piece) vane, all necessary installation hardware and a comprehensive instruction sheet.

**Part #38131**  
**Retail \$179.00**

**For more info on this product  
visit [www.breakerless.com](http://www.breakerless.com)**

# **Transistor Ignition Replacement Module**

**Drop-In Replacement Module fits all Chevrolet & Pontiac cars equipped with the rare and optional Transistor Ignition System**

**Drops into the Original Finned Amplifier Housing**

**Quicker Starts**

**Improved Performance**

M&H's Transistor Ignition Replacement Module is a drop-in performance upgrade, and provides state-of-the-art ignition technology. This replacement module generates twice the coil primary voltage providing up to 10% more available secondary voltage with the factory T.I. coil. It also can be used with point type or aftermarket coils or M&H's own T.I. Replacement Coil. It provides output protection against failure caused by broken or disconnected plug wires, and has an extended temperature range to over 300-degrees. The state-of-the-art electronics are completely sealed in thermoplastic to keep water and contaminants out. Superior construction provides superior performance, just like all M&H Electric's products.



**Simple to Install**

- Remove the backing plate from your original amplifier housing
- Remove wiring from original circuit board and unscrew it from the housing
- Thoroughly clean the inside of the housing
- Screw in M&H's new T.I. Replacement Module and attach the wiring
- ***That's it, you'll enjoy Quicker Starts and Improved Performance***

**Fits all Chevrolet & Pontiac cars with Transistor Ignition**

**Part #32270  
Retail \$172.00**

Part Number	Year	Description	Price	*Rev.
<b>AIR CONDITIONING EXTENSION HARNESS</b>				
06260	1958	<b>AIR CONDITIONING EXTENSION HARNESS</b> Clutch Wire, With Cool Pack	\$41.00	
03735	1958	<b>AIR CONDITIONING EXTENSION HARNESS</b> With 6 Cylinder, Compressor Adapter Note: 6 Cylinder Items Are Not Returnable.	\$41.00	
06260	1959	<b>AIR CONDITIONING EXTENSION HARNESS</b> Clutch Wire, With Cool Pack	\$41.00	
03735	1959	<b>AIR CONDITIONING EXTENSION HARNESS</b> With 6 Cylinder, Compressor Adapter Note: 6 Cylinder Items Are Not Returnable.	\$41.00	
03735	1960	<b>AIR CONDITIONING EXTENSION HARNESS</b> With 6 Cylinder, Compressor Adapter Note: 6 Cylinder Items Are Not Returnable.	\$41.00	
03735	1961	<b>AIR CONDITIONING EXTENSION HARNESS</b> With 6 Cylinder, Compressor Adapter Note: 6 Cylinder Items Are Not Returnable.	\$41.00	
<b>AIR CONDITIONING HARNESS</b>				
02270	1956	<b>AIR CONDITIONING HARNESS</b> Includes Heater Wiring	\$212.00	
02595	1957	<b>AIR CONDITIONING HARNESS</b> Includes Heater Wiring	\$212.00	
02780	1958	<b>AIR CONDITIONING HARNESS</b> Includes Heater Wiring	\$263.00	
02870	1959	<b>AIR CONDITIONING HARNESS</b> With Circulaire, Includes Heater Wiring	\$263.00	
02915	1959	<b>AIR CONDITIONING HARNESS</b> With Cool Pack, Includes Heater Wiring	\$94.00	
03220	1960	<b>AIR CONDITIONING HARNESS</b> With Circulaire, Includes Heater Wiring	\$263.00	
03170	1960	<b>AIR CONDITIONING HARNESS</b> With Cool Pack, Includes Heater Wiring	\$125.00	
03605	1961	<b>AIR CONDITIONING HARNESS</b> With Circulaire, Includes Heater Wiring	\$263.00	
03585	1961	<b>AIR CONDITIONING HARNESS</b> With Cool Pack, Includes Heater Wiring	\$120.00	
03835	1962	<b>AIR CONDITIONING HARNESS</b> With Cool Pack, (Universal), Includes Heater Wiring	\$94.00	
04425	1963	<b>AIR CONDITIONING HARNESS</b> Field Installed, Includes Heater Wiring	\$263.00	
05180	1964	<b>AIR CONDITIONING HARNESS</b> Factory Installed, Includes Heater Wiring	\$212.00	
04585	1964	<b>AIR CONDITIONING HARNESS</b> Field Installed, Includes Heater Wiring	\$263.00	
05820	1965	<b>AIR CONDITIONING HARNESS</b> Field Installed, Includes Heater Wiring	\$212.00	
05725	1965	<b>AIR CONDITIONING HARNESS</b> Standard, Includes Heater Wiring	\$186.00	
05880	1965	<b>AIR CONDITIONING HARNESS</b> With Auto Temp Control, Includes Heater Wiring	\$263.00	
38178	1970	<b>AIR CONDITIONING HARNESS</b> Grand Prix, Dash Side, With Heated Rear Defogger (Use With #38177)	\$106.00	
38177	1970	<b>AIR CONDITIONING HARNESS</b> Grand Prix, Engine Side, With Heated Rear Defogger (Use With #38178)	\$159.00	
<b>ALTERNATOR CONVERSION KIT</b>				
27555	1969	<b>ALTERNATOR CONVERSION KIT</b> External To Internal Regulator Conversion Harness ("SI" Series) Note: For Use With 1972-84 Non-Serpentine Belt ("SI" Series) Internal Regulated Alternators.	\$29.00	
37787	1969	<b>ALTERNATOR CONVERSION KIT</b> External To Internal Regulator Conversion Harness ("CS" Series) Note: For Use With Serpentine Belt ("CS" Series) Internal Regulated Alternators.	\$34.00	
27555	1970	<b>ALTERNATOR CONVERSION KIT</b> External To Internal Regulator Conversion Harness ("SI" Series) Note: For Use With 1972-84 Non-Serpentine Belt ("SI" Series) Internal Regulated Alternators.	\$29.00	
37787	1970	<b>ALTERNATOR CONVERSION KIT</b> External To Internal Regulator Conversion Harness ("CS" Series) Note: For Use With Serpentine Belt ("CS" Series) Internal Regulated Alternators.	\$34.00	
<b>ASSEMBLY MANUAL</b>				
43252	1969	<b>ASSEMBLY MANUAL</b> Pontiac Passenger, Factory Assembly Instruction Guide	\$32.00	
36359	1970	<b>ASSEMBLY MANUAL</b> Grand Prix, Factory Assembly Instruction Guide	\$32.00	
43541	1970	<b>ASSEMBLY MANUAL</b> Pontiac Passenger, Factory Assembly Instruction Guide	\$32.00	
36360	1971	<b>ASSEMBLY MANUAL</b> Grand Prix, Factory Assembly Instruction Guide	\$32.00	
43542	1971	<b>ASSEMBLY MANUAL</b> Pontiac Passenger, Factory Assembly Instruction Guide	\$32.00	

Part Number	Year	Description	Price	*Rev.
43543	1973	<b>ASSEMBLY MANUAL</b> Pontiac Passenger, Factory Assembly Instruction Guide	\$32.00	
43544	1974	<b>ASSEMBLY MANUAL</b> Pontiac Passenger, Factory Assembly Instruction Guide	\$32.00	
43545	1975	<b>ASSEMBLY MANUAL</b> Pontiac Passenger, Factory Assembly Instruction Guide	\$32.00	
43546	1976	<b>ASSEMBLY MANUAL</b> Pontiac Passenger, Factory Assembly Instruction Guide	\$32.00	
<b>AUXILIARY GAUGE PANEL HARNESS</b>				
07105	1964	<b>AUXILIARY GAUGE PANEL HARNESS</b> With Auxiliary Gauges	\$75.00	
06240	1965	<b>AUXILIARY GAUGE PANEL HARNESS</b> With Auxiliary Gauges	\$73.00	
<b>BACKUP LAMP SWITCH</b>				
01993662	1960	<b>BACKUP LAMP SWITCH</b> 4 Speed, Manual Trans	\$64.00	
01993662	1961	<b>BACKUP LAMP SWITCH</b> 4 Speed, Manual Trans	\$64.00	
01993662	1962	<b>BACKUP LAMP SWITCH</b> 4 Speed, Manual Trans	\$64.00	
01993662	1963	<b>BACKUP LAMP SWITCH</b> 4 Speed, Manual Trans	\$64.00	
01993662	1964	<b>BACKUP LAMP SWITCH</b> 4 Speed, Manual Trans	\$64.00	
01993310	1965	<b>BACKUP LAMP SWITCH</b> 3 Speed, Manual Trans	\$64.00	
01993309	1965	<b>BACKUP LAMP SWITCH</b> 4 Speed, Manual Trans	\$64.00	
01993310	1966	<b>BACKUP LAMP SWITCH</b> 3 Speed, Manual Trans	\$64.00	
01993309	1966	<b>BACKUP LAMP SWITCH</b> 4 Speed, Manual Trans	\$64.00	
01993310	1967	<b>BACKUP LAMP SWITCH</b> 3 Speed, Manual Trans	\$64.00	
01993309	1967	<b>BACKUP LAMP SWITCH</b> 4 Speed, Manual Trans	\$64.00	
03943657	1969	<b>BACKUP LAMP SWITCH</b> Manual Trans	\$53.00	
03943657	1970	<b>BACKUP LAMP SWITCH</b> Manual Trans	\$53.00	
03943657	1971	<b>BACKUP LAMP SWITCH</b> Manual Trans	\$53.00	
03943657	1972	<b>BACKUP LAMP SWITCH</b> Manual Trans	\$53.00	
<b>BACKUP LAMP SWITCH EXTENSION HARNESS</b>				
12695	1968	<b>BACKUP LAMP SWITCH EXTENSION HARNESS</b> Manual Trans, Dash Harness Side To Engine Compartment Note: Connects To Part# 12690 Backup Lamp Switch Extension Harness.	\$31.00	
12690	1968	<b>BACKUP LAMP SWITCH EXTENSION HARNESS</b> Manual Trans, Engine Compartment Side To Backup Lamp Switch Note: Connects To Part# 12695 Backup Lamp Switch Extension Harness.	\$31.00	
<b>BATTERY CABLE JUMPER</b>				
02800	1959	<b>BATTERY CABLE JUMPER</b> Pos, V/8, Junction Block To Starter	\$69.00	
02800	1960	<b>BATTERY CABLE JUMPER</b> Pos, V/8, Junction Block To Starter	\$69.00	
03635	1961	<b>BATTERY CABLE JUMPER</b> Pos, V/8, Junction Block To Starter, Except Super Duty	\$69.00	
02800	1961	<b>BATTERY CABLE JUMPER</b> Pos, V/8, Junction Block To Starter, Super Duty	\$69.00	
03635	1962	<b>BATTERY CABLE JUMPER</b> Pos, V/8, Junction Block To Starter, Except Super Duty	\$69.00	
02800	1962	<b>BATTERY CABLE JUMPER</b> Pos, V/8, Junction Block To Starter, Super Duty	\$69.00	
04015	1963	<b>BATTERY CABLE JUMPER</b> Pos, V/8, Junction Block To Starter, Exc. 421 C.I. Super Duty	\$69.00	
23340	1963	<b>BATTERY CABLE JUMPER</b> Pos, Junction Block To Starter, All 421 C.I. Super Duty	\$69.00	
04015	1964	<b>BATTERY CABLE JUMPER</b> Pos, V/8, Junction Block To Starter, All	\$69.00	
<b>BATTERY CABLE-NEGATIVE</b>				
27875	1955	<b>BATTERY CABLE, TOP POST</b> Neg (Braided Strap Type)	\$69.00	
27875	1956	<b>BATTERY CABLE, TOP POST</b> Neg (Braided Strap Type)	\$69.00	
27875	1957	<b>BATTERY CABLE, TOP POST</b> Neg (Braided Strap Type)	\$69.00	
29715	1958	<b>BATTERY CABLE, TOP POST</b> Neg	\$69.00	
03470	1961	<b>BATTERY CABLE, SPRING RING</b> Neg, With A/C	\$69.00	
02920	1961	<b>BATTERY CABLE, SPRING RING</b> Neg, Without A/C	\$69.00	



Part Number	Year	Description	Price	*Rev.
03470	1962	BATTERY CABLE, SPRING RING Neg, With A/C	\$69.00	
02920	1962	BATTERY CABLE, SPRING RING Neg, Without A/C	\$69.00	
02920	1963	BATTERY CABLE, SPRING RING Neg, All	\$69.00	
03430	1964	BATTERY CABLE, SPRING RING Neg, All	\$69.00	
03430	1965	BATTERY CABLE, SPRING RING Neg, All	\$69.00	
03430	1966	BATTERY CABLE, SPRING RING Neg, All	\$69.00	
03430	1967	BATTERY CABLE, SPRING RING Neg, All	\$69.00	
03430	1968	BATTERY CABLE, SPRING RING Neg, All	\$69.00	
03425	1969	BATTERY CABLE, SPRING RING Neg, All, Except Grand Prix	\$69.00	
12575	1969	BATTERY CABLE, SPRING RING Neg, Grand Prix	\$81.00	
13675	1970	BATTERY CABLE, SIDE POST Neg, Grand Prix, With 455 C.I.	\$69.00	
12575	1970	BATTERY CABLE, SPRING RING Neg, Grand Prix, Except 455 C.I.	\$81.00	
14640	1970	BATTERY CABLE, SPRING RING Neg, Grand Prix, With 455 C.I.	\$81.00	
39348	1971	BATTERY CABLE, SIDE POST Neg, Grand Prix, With 455 C.I.	\$73.00	
12575	1971	BATTERY CABLE, SPRING RING Neg, Grand Prix, Except 455 C.I.	\$81.00	
<b>BATTERY CABLE-POSITIVE</b>				
30405	1955	BATTERY CABLE, TOP POST Pos, Battery To Starter	\$69.00	
30440	1956	BATTERY CABLE, TOP POST Pos, Battery To Starter	\$69.00	
30440	1957	BATTERY CABLE, TOP POST Pos, Battery To Starter	\$69.00	
29710	1958	BATTERY CABLE, TOP POST Pos, Manual Trans	\$69.00	
34710	1961	BATTERY CABLE, SPRING RING Pos, Battery To Junction Block, All	\$69.00	
34710	1962	BATTERY CABLE, SPRING RING Pos, Battery To Junction Block, All	\$69.00	
34710	1963	BATTERY CABLE, SPRING RING Pos, Battery To Junction Block, All, Except Grand Prix	\$69.00	
04020	1963	BATTERY CABLE, SPRING RING Pos, Battery To Junction Block, Grand Prix	\$69.00	
34710	1964	BATTERY CABLE, SPRING RING Pos, Battery To Junction Block, All, Except Grand Prix	\$69.00	
04020	1964	BATTERY CABLE, SPRING RING Pos, Battery To Junction Block, Grand Prix	\$69.00	
05920	1965	BATTERY CABLE, SPRING RING Pos, V/8, With Power Options	\$69.00	N
05895	1965	BATTERY CABLE, SPRING RING Pos, V/8, Without Power Options	\$65.00	N
05920	1966	BATTERY CABLE, SPRING RING Pos, V/8, With Power Options	\$69.00	N
05895	1966	BATTERY CABLE, SPRING RING Pos, V/8, Without Power Options	\$65.00	N
05920	1967	BATTERY CABLE, SPRING RING Pos, V/8, With Power Options	\$69.00	N
05895	1967	BATTERY CABLE, SPRING RING Pos, V/8, Without Power Options	\$65.00	N
04200	1969	BATTERY CABLE, SPRING RING Pos, All, Except Grand Prix	\$69.00	
12515	1969	BATTERY CABLE, SPRING RING Pos, Grand Prix	\$81.00	
12515	1970	BATTERY CABLE, SPRING RING Pos, Grand Prix, Except 455 C.I.	\$81.00	
13670	1970	BATTERY CABLE, SIDE POST Pos, Grand Prix, With 455 C.I.	\$69.00	
14600	1970	BATTERY CABLE, SPRING RING Pos, Grand Prix, With 455 C.I.	\$81.00	
<b>BREAKERLESS SE SINGLE WIRE ELECTRONIC IGNITION</b>				
38131	1957	BREAKERLESS SE SINGLE WIRE ELECTRONIC IGNITION KIT For 1957-74 Breaker Point Distributors With Windowed Type Distributor Cap	\$179.00	
38131	1958	BREAKERLESS SE SINGLE WIRE ELECTRONIC IGNITION KIT For 1957-74 Breaker Point Distributors With Windowed Type Distributor Cap	\$179.00	
38131	1959	BREAKERLESS SE SINGLE WIRE ELECTRONIC IGNITION KIT For 1957-74 Breaker Point Distributors With Windowed Type Distributor Cap	\$179.00	
38131	1960	BREAKERLESS SE SINGLE WIRE ELECTRONIC IGNITION KIT For 1957-74 Breaker Point Distributors With Windowed Type Distributor Cap	\$179.00	
38131	1961	BREAKERLESS SE SINGLE WIRE ELECTRONIC IGNITION KIT For 1957-74 Breaker Point Distributors With Windowed Type Distributor Cap	\$179.00	

Part Number	Year	Description	Price	*Rev.
38131	1962	<b>BREAKERLESS SE SINGLE WIRE ELECTRONIC IGNITION KIT</b> For 1957-74 Breaker Point Distributors With Windowed Type Distributor Cap	\$179.00	
38131	1963	<b>BREAKERLESS SE SINGLE WIRE ELECTRONIC IGNITION KIT</b> For 1957-74 Breaker Point Distributors With Windowed Type Distributor Cap	\$179.00	
38131	1964	<b>BREAKERLESS SE SINGLE WIRE ELECTRONIC IGNITION KIT</b> For 1957-74 Breaker Point Distributors With Windowed Type Distributor Cap	\$179.00	
38131	1965	<b>BREAKERLESS SE SINGLE WIRE ELECTRONIC IGNITION KIT</b> For 1957-74 Breaker Point Distributors With Windowed Type Distributor Cap	\$179.00	
38131	1966	<b>BREAKERLESS SE SINGLE WIRE ELECTRONIC IGNITION KIT</b> For 1957-74 Breaker Point Distributors With Windowed Type Distributor Cap	\$179.00	
38131	1967	<b>BREAKERLESS SE SINGLE WIRE ELECTRONIC IGNITION KIT</b> For 1957-74 Breaker Point Distributors With Windowed Type Distributor Cap	\$179.00	
38131	1968	<b>BREAKERLESS SE SINGLE WIRE ELECTRONIC IGNITION KIT</b> For 1957-74 Breaker Point Distributors With Windowed Type Distributor Cap	\$179.00	
38131	1969	<b>BREAKERLESS SE SINGLE WIRE ELECTRONIC IGNITION KIT</b> For 1957-74 Breaker Point Distributors With Windowed Type Distributor Cap	\$179.00	
38131	1970	<b>BREAKERLESS SE SINGLE WIRE ELECTRONIC IGNITION KIT</b> For 1957-74 Breaker Point Distributors With Windowed Type Distributor Cap	\$179.00	
38131	1971	<b>BREAKERLESS SE SINGLE WIRE ELECTRONIC IGNITION KIT</b> For 1957-74 Breaker Point Distributors With Windowed Type Distributor Cap	\$179.00	
38131	1972	<b>BREAKERLESS SE SINGLE WIRE ELECTRONIC IGNITION KIT</b> For 1957-74 Breaker Point Distributors With Windowed Type Distributor Cap	\$179.00	
38131	1973	<b>BREAKERLESS SE SINGLE WIRE ELECTRONIC IGNITION KIT</b> For 1957-74 Breaker Point Distributors With Windowed Type Distributor Cap	\$179.00	
38131	1974	<b>BREAKERLESS SE SINGLE WIRE ELECTRONIC IGNITION KIT</b> For 1957-74 Breaker Point Distributors With Windowed Type Distributor Cap	\$179.00	
<b>CLOCK HARNESS</b>				
05765	1965	<b>CLOCK HARNESS</b> Dash Harness To Clock	\$26.00	
<b>CONSOLE HARNESS</b>				
05595	1964	<b>CONSOLE HARNESS</b> Auto Trans	\$166.00	
36836	1964	<b>CONSOLE HARNESS</b> Manual Trans	\$133.00	
06190	1965	<b>CONSOLE HARNESS</b> Auto Trans	\$133.00	
00970	1965	<b>CONSOLE HARNESS</b> Manual Trans	\$34.00	
10045	1966	<b>CONSOLE HARNESS</b> Auto Trans	\$74.00	
09555	1966	<b>CONSOLE HARNESS</b> Manual Trans	\$34.00	
10045	1967	<b>CONSOLE HARNESS</b> Auto Trans	\$74.00	
11135	1967	<b>CONSOLE HARNESS</b> Manual Trans	\$34.00	
10045	1968	<b>CONSOLE HARNESS</b> Auto Trans	\$74.00	
11135	1968	<b>CONSOLE HARNESS</b> Manual Trans	\$34.00	
<b>COURTESY LAMP HARNESS</b>				
32405	1959	<b>COURTESY LAMP HARNESS</b> Side Roof Rail Lamp, Bonneville 2 Door Sport Coupe	\$50.00	
32410	1959	<b>COURTESY LAMP HARNESS</b> Side Roof Rail Lamp, Bonneville & Star Chief 4 Door Vista	\$50.00	
32420	1960	<b>COURTESY LAMP HARNESS</b> Reading Lamp Jumper, Bonneville 4 Door Safari	\$40.00	
32420	1960	<b>COURTESY LAMP HARNESS</b> Reading Lamp Jumper, Catalina, All Except Convertible	\$40.00	
32420	1960	<b>COURTESY LAMP HARNESS</b> Reading Lamp Jumper, Star Chief 2 & 4 Door Sport Sedan	\$40.00	
08005	1965	<b>COURTESY LAMP HARNESS</b> Center Roof Mounted Dome Lamp	\$49.00	
08030	1965	<b>COURTESY LAMP HARNESS</b> Roof Rail Lamp, Bonneville & Star Chief 4 Door Vista	\$60.00	
08005	1966	<b>COURTESY LAMP HARNESS</b> Center Roof Mounted Dome Lamp	\$49.00	
08030	1966	<b>COURTESY LAMP HARNESS</b> Roof Rail Lamp, Bonneville & Star Chief 4 Door Vista	\$60.00	
08005	1967	<b>COURTESY LAMP HARNESS</b> Center Roof Mounted Dome Lamp	\$49.00	

Part Number	Year	Description	Price	*Rev.
<b>DASH AND ENGINE COMPARTMENT HARNESS</b>				
02210	1955	<b>DASH AND ENGINE COMPARTMENT HARNESS</b> With Directional Signals	\$995.00	
02265	1956	<b>DASH AND ENGINE COMPARTMENT HARNESS</b> With Directional Signals	\$995.00	
02420	1957	<b>DASH AND ENGINE COMPARTMENT HARNESS</b>	\$995.00	
02675	1958	<b>DASH AND ENGINE COMPARTMENT HARNESS</b>	\$995.00	
02795	1959	<b>DASH AND ENGINE COMPARTMENT HARNESS</b> Without A/C Note: Customer Must Supply Their Original Fuseblock.	\$902.00	
00985	1959	<b>DASH AND ENGINE COMPARTMENT HARNESS</b> With A/C Note: Customer Must Supply Their Original Fuseblock.	\$953.00	
03225	1960	<b>DASH AND ENGINE COMPARTMENT HARNESS</b> With Manual Control Heater Note: Customer Must Supply Their Original Fuseblock.	\$902.00	
03055	1960	<b>DASH AND ENGINE COMPARTMENT HARNESS</b> With Push Button Control Heater Note: Customer Must Supply Their Original Fuseblock.	\$902.00	
03060	1960	<b>DASH AND ENGINE COMPARTMENT HARNESS</b> With A/C Note: Customer Must Supply Their Original Fuseblock.	\$928.00	
03440	1961	<b>DASH INSTRUMENT CLUSTER EXTENSION HARNESS</b>	\$143.00	
03445	1961	<b>DASH AND ENGINE COMPARTMENT HARNESS</b> With Manual Control Heater Note: Customer Must Supply Their Original Fuseblock.	\$902.00	
03450	1961	<b>DASH AND ENGINE COMPARTMENT HARNESS</b> With Push Button Control Heater Note: Customer Must Supply Their Original Fuseblock.	\$928.00	
03455	1961	<b>DASH AND ENGINE COMPARTMENT HARNESS</b> With A/C Note: Customer Must Supply Their Original Fuseblock.	\$928.00	
03440	1962	<b>DASH INSTRUMENT CLUSTER EXTENSION HARNESS</b>	\$143.00	
03775	1962	<b>DASH AND ENGINE COMPARTMENT HARNESS</b> With Push Button Control Heater Note: Customer Must Supply Their Original Fuseblock.	\$902.00	
04040	1962	<b>DASH AND ENGINE COMPARTMENT HARNESS</b> With A/C & Alternator Note: Customer Must Supply Their Original Fuseblock.	\$928.00	
03780	1962	<b>DASH AND ENGINE COMPARTMENT HARNESS</b> With A/C & Generator Note: Customer Must Supply Their Original Fuseblock.	\$928.00	
<b>DASH AND ENGINE HARNESS</b>				
04065	1963	<b>DASH AND ENGINE HARNESS</b> Without A/C Note: Customer Must Supply Their Original Fuseblock.	\$902.00	
04310	1963	<b>DASH AND ENGINE HARNESS</b> With A/C Note: Customer Must Supply Their Original Fuseblock.	\$928.00	
<b>DASH HARNESS</b>				
04545	1964	<b>DASH HARNESS</b> Column Shift Auto Or All Manual Trans Note: Requires Customers Original Dash Harness.	\$871.00	
04550	1964	<b>DASH HARNESS</b> Column Shift Auto Or All Manual Trans, With A/C Note: Requires Customers Original Dash Harness.	\$902.00	
05120	1964	<b>DASH HARNESS</b> Console Shift, Auto Trans Note: Requires Customers Original Dash Harness.	\$871.00	
05125	1964	<b>DASH HARNESS</b> Console Shift, Auto Trans, With A/C Note: Requires Customers Original Dash Harness.	\$902.00	
00975	1965	<b>DASH HARNESS</b> Column Shift Auto Or All Manual Trans Note: Requires Customers Original Dash Harness.	\$871.00	
05980	1965	<b>DASH HARNESS</b> Column Shift Auto Or All Manual Trans, With Standard A/C Note: Requires Customers Original Dash Harness.	\$902.00	

**Pontiac Fullsize  
Grand Prix**



**Phone (562) 926-9552  
Fax (562) 926-9572**

Part Number	Year	Description	Price	*Rev.
09265	1965	<b>DASH HARNESS</b> Column Shift Auto Or All Manual Trans, With Auto Temp A/C Note: Requires Customers Original Dash Harness.	\$902.00	
05990	1965	<b>DASH HARNESS</b> Console Shift, Auto Trans Note: Requires Customers Original Dash Harness.	\$871.00	
05985	1965	<b>DASH HARNESS</b> Console Shift, Auto Trans, With Standard A/C Note: Requires Customers Original Dash Harness.	\$902.00	
00980	1965	<b>DASH HARNESS</b> Console Shift, Auto Trans, With Auto Temp Control A/C Note: Requires Customers Original Dash Harness.	\$928.00	
09335	1966	<b>DASH HARNESS</b> Column Shift Auto Or All Manual Trans Note: Requires Customers Original Dash Harness.	\$928.00	
09350	1966	<b>DASH HARNESS</b> Column Shift Auto Or All Manual Trans, With Gauges Note: Requires Customers Original Dash Harness.	\$928.00	
09340	1966	<b>DASH HARNESS</b> Console Shift, Auto Trans Note: Requires Customers Original Dash Harness.	\$928.00	
09355	1966	<b>DASH HARNESS</b> Console Shift, Auto Trans, With Gauges Note: Requires Customers Original Dash Harness.	\$928.00	
10360	1967	<b>DASH HARNESS</b> Column Shift Auto Or All Manual Trans Note: Requires Customers Original Dash Harness.	\$928.00	
10515	1967	<b>DASH HARNESS</b> Column Shift Auto Or All Manual Trans, With Gauges Note: Requires Customers Original Dash Harness.	\$928.00	
10365	1967	<b>DASH HARNESS</b> Console Shift, Auto Trans Note: Requires Customers Original Dash Harness.	\$928.00	
10520	1967	<b>DASH HARNESS</b> Console Shift, Auto Trans, With Gauges Note: Requires Customers Original Dash Harness.	\$928.00	
11330	1968	<b>DASH HARNESS</b> Column Shift Auto Or All Manual Trans Note: Requires Customers Original Dash Harness.	\$928.00	
11340	1968	<b>DASH HARNESS</b> Column Shift Auto Or All Manual Trans, With Gauges Note: Requires Customers Original Dash Harness.	\$928.00	
11335	1968	<b>DASH HARNESS</b> Console Shift, Auto Trans Note: Requires Customers Original Dash Harness.	\$928.00	
11345	1968	<b>DASH HARNESS</b> Console Shift, Auto Trans, With Gauges Note: Requires Customers Original Dash Harness.	\$928.00	
12810	1969	<b>DASH HARNESS</b> Passenger Note: This Harness Contains A Resistance Wire In It And Must Be Modified If Using With A GM H.E.I. Distributor.	\$928.00	
12815	1969	<b>DASH HARNESS</b> Passenger, With Gauges Note: This Harness Contains A Resistance Wire In It And Must Be Modified If Using With A GM H.E.I. Distributor.	\$928.00	
13530	1969	<b>DASH HARNESS</b> Grand Prix Note: This Harness Contains A Resistance Wire In It And Must Be Modified If Using With A GM H.E.I. Distributor.	\$928.00	
13535	1969	<b>DASH HARNESS</b> Grand Prix, With Gauges Note: This Harness Contains A Resistance Wire In It And Must Be Modified If Using With A GM H.E.I. Distributor.	\$928.00	
15835	1970	<b>DASH HARNESS</b> Passenger Note: This Harness Contains A Resistance Wire In It And Must Be Modified If Using With A GM H.E.I. Distributor.	\$928.00	
15840	1970	<b>DASH HARNESS</b> Passenger, With Gauges Note: This Harness Contains A Resistance Wire In It And Must Be Modified If Using With A GM H.E.I. Distributor.	\$928.00	
15845	1970	<b>DASH HARNESS</b> Grand Prix Note: This Harness Contains A Resistance Wire In It And Must Be Modified If Using With A GM H.E.I. Distributor.	\$928.00	
15850	1970	<b>DASH HARNESS</b> Grand Prix, With Gauges Note: This Harness Contains A Resistance Wire In It And Must Be Modified If Using With A GM H.E.I. Distributor.	\$928.00	
16215	1971	<b>DASH HARNESS</b> Passenger, All	\$928.00	

Part Number	Year	Description	Price	*Rev.
16225	1971	<b>DASH HARNESS</b> Grand Prix	\$928.00	
16670	1971	<b>DASH HARNESS</b> Grand Prix, With Gauges	\$928.00	
<b>DISTRIBUTOR WIRE</b>				
36057	1957	<b>DISTRIBUTOR WIRE</b> Distributor Points To Coil Negative Terminal, V/8 Note: Fits All GM V/8 Points Type Distributors From Approx. 1957 To 1974.	\$18.00	C
36057	1958	<b>DISTRIBUTOR WIRE</b> Distributor Points To Coil Negative Terminal, V/8 Note: Fits All GM V/8 Points Type Distributors From Approx. 1957 To 1974.	\$18.00	C
36057	1959	<b>DISTRIBUTOR WIRE</b> Distributor Points To Coil Negative Terminal, V/8 Note: Fits All GM V/8 Points Type Distributors From Approx. 1957 To 1974.	\$18.00	C
36057	1960	<b>DISTRIBUTOR WIRE</b> Distributor Points To Coil Negative Terminal, V/8 Note: Fits All GM V/8 Points Type Distributors From Approx. 1957 To 1974.	\$18.00	C
36057	1961	<b>DISTRIBUTOR WIRE</b> Distributor Points To Coil Negative Terminal, V/8 Note: Fits All GM V/8 Points Type Distributors From Approx. 1957 To 1974.	\$18.00	C
36057	1962	<b>DISTRIBUTOR WIRE</b> Distributor Points To Coil Negative Terminal, V/8 Note: Fits All GM V/8 Points Type Distributors From Approx. 1957 To 1974.	\$18.00	C
36057	1963	<b>DISTRIBUTOR WIRE</b> Distributor Points To Coil Negative Terminal, V/8 Note: Fits All GM V/8 Points Type Distributors From Approx. 1957 To 1974.	\$18.00	C
36057	1964	<b>DISTRIBUTOR WIRE</b> Distributor Points To Coil Negative Terminal, V/8 Note: Fits All GM V/8 Points Type Distributors From Approx. 1957 To 1974.	\$18.00	C
36057	1965	<b>DISTRIBUTOR WIRE</b> Distributor Points To Coil Negative Terminal, V/8 Note: Fits All GM V/8 Points Type Distributors From Approx. 1957 To 1974.	\$18.00	C
36057	1966	<b>DISTRIBUTOR WIRE</b> Distributor Points To Coil Negative Terminal, V/8 Note: Fits All GM V/8 Points Type Distributors From Approx. 1957 To 1974.	\$18.00	C
36057	1967	<b>DISTRIBUTOR WIRE</b> Distributor Points To Coil Negative Terminal, V/8 Note: Fits All GM V/8 Points Type Distributors From Approx. 1957 To 1974.	\$18.00	C
36057	1968	<b>DISTRIBUTOR WIRE</b> Distributor Points To Coil Negative Terminal, V/8 Note: Fits All GM V/8 Points Type Distributors From Approx. 1957 To 1974.	\$18.00	C
36057	1969	<b>DISTRIBUTOR WIRE</b> Distributor Points To Coil Negative Terminal, V/8 Note: Fits All GM V/8 Points Type Distributors From Approx. 1957 To 1974.	\$18.00	C
36057	1970	<b>DISTRIBUTOR WIRE</b> Distributor Points To Coil Negative Terminal, V/8 Note: Fits All GM V/8 Points Type Distributors From Approx. 1957 To 1974.	\$18.00	C
36057	1971	<b>DISTRIBUTOR WIRE</b> Distributor Points To Coil Negative Terminal, V/8 Note: Fits All GM V/8 Points Type Distributors From Approx. 1957 To 1974.	\$18.00	C
36057	1972	<b>DISTRIBUTOR WIRE</b> Distributor Points To Coil Negative Terminal, V/8 Note: Fits All GM V/8 Points Type Distributors From Approx. 1957 To 1974.	\$18.00	C
36057	1973	<b>DISTRIBUTOR WIRE</b> Distributor Points To Coil Negative Terminal, V/8 Note: Fits All GM V/8 Points Type Distributors From Approx. 1957 To 1974.	\$18.00	C
36057	1974	<b>DISTRIBUTOR WIRE</b> Distributor Points To Coil Negative Terminal, V/8 Note: Fits All GM V/8 Points Type Distributors From Approx. 1957 To 1974.	\$18.00	C
<b>DOME LAMP FEED AND GROUND</b>				
32415	1959	<b>DOME LAMP FEED AND GROUND</b> Catalina 4 Door Vista	\$42.00	
32400	1959	<b>DOME LAMP FEED AND GROUND</b> Bonneville, Catalina & Star Chief 4 Dr Sedan & Safari And 2 Dr Sport Coupe & Sedan	\$42.00	
<b>ENGINE HARNESS</b>				
04555	1964	<b>ENGINE HARNESS</b> V/8, (Original 2 Wire Voltage Regulator) Note: Requires Use Of Customers Bulkhead Connector.	\$243.00	
36213	1964	<b>ENGINE HARNESS</b> V/8, (Updated 4 Wire Voltage Regulator) Note: Requires Use Of Customers Bulkhead Connector.	\$243.00	

Part Number	Year	Description	Price	*Rev.
05190	1964	<b>ENGINE HARNESS</b> V/8, With A/C (Original 2 Wire Voltage Regulator) Note: Requires Use Of Customers Bulkhead Connector.	\$256.00	
36214	1964	<b>ENGINE HARNESS</b> V/8, With A/C (Updated 4 Wire Voltage Regulator) Note: Requires Use Of Customers Bulkhead Connector.	\$256.00	
05925	1965	<b>ENGINE HARNESS</b> V/8, (Original 2 Wire Voltage Regulator) Note: Requires Use Of Customers Bulkhead Connector.	\$243.00	
36215	1965	<b>ENGINE HARNESS</b> V/8, (Updated Wire 4 Voltage Regulator) Note: Requires Use Of Customers Bulkhead Connector.	\$243.00	
05930	1965	<b>ENGINE HARNESS</b> V/8, With Standard A/C (Original 2 Wire Voltage Regulator) Note: Requires Use Of Customers Bulkhead Connector.	\$249.00	
36216	1965	<b>ENGINE HARNESS</b> V/8, With Standard A/C (Updated 4 Wire Voltage Regulator) Note: Requires Use Of Customers Bulkhead Connector.	\$256.00	
06050	1965	<b>ENGINE HARNESS</b> V/8, With Auto Temp Control A/C (Original 2 Wire Voltage Regulator) Note: Requires Use Of Customers Bulkhead Connector.	\$256.00	
36217	1965	<b>ENGINE HARNESS</b> V/8, With Auto Temp Control A/C (Updated 4 Wire Voltage Regulator) Note: Requires Use Of Customers Bulkhead Connector.	\$256.00	
09345	1966	<b>ENGINE HARNESS</b> V/8, (Original 2 Wire Voltage Regulator) Note: Requires Use Of Customers Bulkhead Connector.	\$243.00	
36218	1966	<b>ENGINE HARNESS</b> V/8, (Updated 4 Wire Voltage Regulator) Note: Requires Use Of Customers Bulkhead Connector.	\$243.00	
09545	1966	<b>ENGINE HARNESS</b> V/8, With Standard A/C (Original 2 Wire Voltage Regulator) Note: Requires Use Of Customers Bulkhead Connector.	\$256.00	
36219	1966	<b>ENGINE HARNESS</b> V/8, With Standard A/C (Updated 4 Wire Voltage Regulator) Note: Requires Use Of Customers Bulkhead Connector.	\$256.00	
09550	1966	<b>ENGINE HARNESS</b> V/8, With Auto Temp Control A/C (Original 2 Wire Voltage Regulator) Note: Requires Use Of Customers Bulkhead Connector.	\$256.00	
36220	1966	<b>ENGINE HARNESS</b> V/8, With Auto Temp Control A/C (Updated 4 Wire Voltage Regulator) Note: Requires Use Of Customers Bulkhead Connector.	\$256.00	
10230	1967	<b>ENGINE HARNESS</b> V/8, (Original 2 Wire Voltage Regulator) Note: Requires Use Of Customers Bulkhead Connector.	\$243.00	
36221	1967	<b>ENGINE HARNESS</b> V/8, (Updated 4 Wire Voltage Regulator) Note: Requires Use Of Customers Bulkhead Connector.	\$243.00	
10235	1967	<b>ENGINE HARNESS</b> V/8, With Standard A/C (Original 2 Wire Voltage Regulator) Note: Requires Use Of Customers Bulkhead Connector.	\$256.00	
36222	1967	<b>ENGINE HARNESS</b> V/8, With Standard A/C (Updated 4 Wire Voltage Regulator) Note: Requires Use Of Customers Bulkhead Connector.	\$256.00	
10240	1967	<b>ENGINE HARNESS</b> V/8, With Auto Temp Control A/C (Original 2 Wire Voltage Regulator) Note: Requires Use Of Customers Bulkhead Connector.	\$256.00	
36223	1967	<b>ENGINE HARNESS</b> V/8, With Auto Temp Control A/C (Updated 4 Wire Voltage Regulator) Note: Requires Use Of Customers Bulkhead Connector.	\$256.00	
10290	1967	<b>ENGINE HARNESS</b> V/8, With T.I. (Original 2 Wire Voltage Regulator) Note: Requires Use Of Customers Bulkhead Connector.	\$276.00	
36224	1967	<b>ENGINE HARNESS</b> V/8, With T.I. (Updated 4 Wire Voltage Regulator) Note: Requires Use Of Customers Bulkhead Connector.	\$276.00	

**Pontiac Fullsize  
Grand Prix**



**Phone (562) 926-9552  
Fax (562) 926-9572**

Part Number	Year	Description	Price	*Rev.
10295	1967	<b>ENGINE HARNESS</b> V/8, With T.I. & Standard A/C (Original 2 Wire Voltage Regulator) Note: Requires Use Of Customers Bulkhead Connector.	\$276.00	
36225	1967	<b>ENGINE HARNESS</b> V/8, With T.I. & Standard A/C (Updated 4 Wire Voltage Regulator) Note: Requires Use Of Customers Bulkhead Connector.	\$276.00	
10300	1967	<b>ENGINE HARNESS</b> V/8, With T.I. & Auto Temp Control A/C (Original 2 Wire Voltage Regulator) Note: Requires Use Of Customers Bulkhead Connector.	\$276.00	
36226	1967	<b>ENGINE HARNESS</b> V/8, With T.I. & Auto Temp Control A/C (Updated 4 Wire Voltage Regulator) Note: Requires Use Of Customers Bulkhead Connector.	\$276.00	
11355	1968	<b>ENGINE HARNESS</b> V/8 (Original 2 Wire Voltage Regulator)	\$291.00	
36227	1968	<b>ENGINE HARNESS</b> V/8 (Updated 4 Wire Voltage Regulator)	\$291.00	
11350	1968	<b>ENGINE HARNESS</b> V/8, With A/C (Original 2 Wire Voltage Regulator)	\$305.00	
36228	1968	<b>ENGINE HARNESS</b> V/8 With A/C (Updated 4 Wire Voltage Regulator)	\$305.00	
12175	1968	<b>ENGINE HARNESS</b> V/8, With Internal Regulator	\$305.00	
12180	1968	<b>ENGINE HARNESS</b> V/8, With Internal Regulator & A/C	\$305.00	
12840	1969	<b>ENGINE HARNESS</b> Passenger, V/8	\$291.00	
12845	1969	<b>ENGINE HARNESS</b> Passenger, V/8, With Gauges	\$291.00	
12850	1969	<b>ENGINE HARNESS</b> Passenger, V/8, With Internal Regulator	\$305.00	
12855	1969	<b>ENGINE HARNESS</b> Passenger, V/8, With Internal Regulator & Gauges	\$305.00	
12860	1969	<b>ENGINE HARNESS</b> Passenger, V/8, With Heavy Duty Alternator (62 Amp)	\$305.00	
13480	1969	<b>ENGINE HARNESS</b> Passenger, V/8, With Heavy Duty Alternator (62 Amp) & Gauges	\$305.00	
13290	1969	<b>ENGINE HARNESS</b> Grand Prix, V/8	\$259.00	
12870	1969	<b>ENGINE HARNESS</b> Grand Prix, V/8, With Internal Regulator	\$259.00	
13705	1970	<b>ENGINE HARNESS</b> Passenger, V/8, Auto Trans	\$318.00	
13650	1970	<b>ENGINE HARNESS</b> Passenger, V/8, Manual Trans	\$318.00	
13700	1970	<b>ENGINE HARNESS</b> Passenger, V/8, Auto Trans, With Gauges	\$318.00	
13690	1970	<b>ENGINE HARNESS</b> Passenger, V/8, Manual Trans, With Gauges	\$318.00	
15580	1970	<b>ENGINE HARNESS</b> Passenger, V/8, Auto Trans & Heavy Duty Alternator (62 Amp)	\$318.00	
13710	1970	<b>ENGINE HARNESS</b> Passenger, V/8, Manual Trans & Heavy Duty Alternator (62 Amp)	\$318.00	
15565	1970	<b>ENGINE HARNESS</b> Grand Prix, V/8, Auto Trans	\$291.00	
15560	1970	<b>ENGINE HARNESS</b> Grand Prix, V/8, Manual Trans	\$291.00	
16070	1971	<b>ENGINE HARNESS</b> Passenger, V/8, 350 C.I. Auto Trans	\$318.00	
15915	1971	<b>ENGINE HARNESS</b> Passenger, V/8, 350 C.I., Manual Trans	\$318.00	
16705	1971	<b>ENGINE HARNESS</b> Passenger, V/8, All With Unitized Distributor	\$344.00	
16065	1971	<b>ENGINE HARNESS</b> Grand Prix, V/8, Auto Trans	\$291.00	
37984	1971	<b>ENGINE HARNESS</b> Grand Prix, V/8, Auto Trans, With A/C	\$305.00	
16060	1971	<b>ENGINE HARNESS</b> Grand Prix, V/8, Manual Trans	\$291.00	
37985	1971	<b>ENGINE HARNESS</b> Grand Prix, V/8, Manual Trans, With A/C	\$305.00	
16075	1971	<b>ENGINE HARNESS</b> Grand Prix, V/8, All With Unitized Distributor	\$344.00	
16955	1972	<b>ENGINE HARNESS</b> Passenger, V/8	\$318.00	
16970	1972	<b>ENGINE HARNESS</b> Passenger, V/8, With Unitized Distributor	\$344.00	
16945	1972	<b>ENGINE HARNESS</b> Grand Prix, V/8	\$318.00	
16950	1972	<b>ENGINE HARNESS</b> Grand Prix, V/8, With Unitized Distributor	\$305.00	

Part Number	Year	Description	Price	*Rev.
41514	1973	<b>ENGINE HARNESS</b> V/8, Except Grand Prix, Early Production, Without Unitized Distributor Note: With A 4 Contact Connector At Distributor Vacuum Solenoid. Customer Must Reuse Their Original Plastic Connector For The Distributor Vacuum Solenoid Relay.	\$344.00	
41515	1973	<b>ENGINE HARNESS</b> V/8, Except Grand Prix, Early Production, With Unitized Distributor Note: With A 4 Contact Connector At Distributor Vacuum Solenoid. Customer Must Reuse Their Original Plastic Connector For The Distributor Vacuum Solenoid Relay.	\$371.00	
17080	1973	<b>ENGINE HARNESS</b> V/8, All, Late Production, Without Unitized Distributor Note: With A 2 Contact Connector At Distributor Vacuum Solenoid.	\$344.00	
17085	1973	<b>ENGINE HARNESS</b> V/8, All, Late Production, With Unitized Distributor Note: With A 2 Contact Connector At Distributor Vacuum Solenoid.	\$371.00	
17030	1973	<b>ENGINE HARNESS</b> V/8, Grand Prix, Early Production, Without Unitized Distributor Note: With A 4 Contact Connector At Distributor Vacuum Solenoid. Customer Must Reuse Their Original Plastic Connector For The Distributor Vacuum Solenoid Relay.	\$344.00	
17035	1973	<b>ENGINE HARNESS</b> V/8, Grand Prix, Early Production, With Unitized Distributor Note: With A 4 Contact Connector At Distributor Vacuum Solenoid. Customer Must Reuse Their Original Plastic Connector For The Distributor Vacuum Solenoid Relay.	\$371.00	
17060	1974	<b>ENGINE HARNESS</b> V/8, All, Without Unitized Distributor Note: Customer Must Reuse Their Original Plastic Connector For The Seat Belt Control Switch.	\$344.00	
17110	1974	<b>ENGINE HARNESS</b> V/8, All, With Unitized Distributor Note: Customer Must Reuse Their Original Plastic Connector For The Seat Belt Control Switch.	\$371.00	
39509	1974	<b>ENGINE HARNESS</b> V/8, All, With HEI Distributor Note: Customer Must Reuse Their Original Plastic Connector For The Seat Belt Control Switch.	\$371.00	
40824	1975	<b>ENGINE HARNESS</b> 6 Cylinder, Without Seat Belt Interlock Note: 6 Cylinder Items Are Not Returnable.	\$387.00	
40813	1975	<b>ENGINE HARNESS</b> 6 Cylinder, With Seat Belt Interlock Note: 6 Cylinder Items Are Not Returnable.	\$387.00	
40823	1975	<b>ENGINE HARNESS</b> V/8, All, Without Seat Belt Interlock	\$344.00	
40686	1975	<b>ENGINE HARNESS</b> V/8, All, With Seat Belt Interlock Note: Customer Must Reuse Their Original Plastic Connector For The Seat Belt Control Switch.	\$344.00	
40833	1975	<b>ENGINE HARNESS</b> V/8, All, With A/C, Without Seat Belt Interlock	\$344.00	
41524	1975	<b>ENGINE HARNESS</b> V/8, All, With A/C & Seat Belt Interlock Note: Customer Must Reuse Their Original Plastic Connector For The Seat Belt Control Switch.	\$344.00	
37622	1975	<b>ENGINE HARNESS</b> V/8, All, Without Catalytic Converter	\$344.00	
41525	1975	<b>ENGINE HARNESS</b> V/8, All, With Catalytic Converter	\$371.00	
40828	1976	<b>ENGINE HARNESS</b> 6 Cylinder, All Note: 6 Cylinder Items Are Not Returnable.	\$387.00	
40843	1976	<b>ENGINE HARNESS</b> V/8, All	\$344.00	
41534	1977	<b>ENGINE HARNESS</b> 6 Cylinder Note: 6 Cylinder Items Are Not Returnable.	\$371.00	
41535	1977	<b>ENGINE HARNESS</b> V/8, 350 C.I. & 403 C.I. Oldsmobile Engines, Except California Emission System	\$344.00	
41536	1977	<b>ENGINE HARNESS</b> V/8, 350 C.I. & 403 C.I. Oldsmobile Engines, With California Emission System	\$344.00	
41537	1977	<b>ENGINE HARNESS</b> V/8, 301 C.I., 350 C.I. & 400 C.I. Pontiac Engines	\$344.00	
38320	1977	<b>ENGINE HARNESS</b> V/8, Grand Prix, With 301 C.I., 350 C.I. & 400 C.I. Pontiac Engines	\$305.00	
38618	1977	<b>ENGINE HARNESS</b> V/8, Grand Prix, With 350 C.I. & 403 C.I. Oldsmobile Engines	\$278.00	



Part Number	Year	Description	Price	*Rev.
41542	1978	<b>ENGINE HARNESS</b> 6 Cylinder Note: 6 Cylinder Items Are Not Returnable.	\$371.00	
41543	1978	<b>ENGINE HARNESS</b> V/8, 350 C.I. Buick Engine	\$344.00	
41535	1978	<b>ENGINE HARNESS</b> V/8, 350 C.I. & 403 C.I. Oldsmobile Engines	\$344.00	
41537	1978	<b>ENGINE HARNESS</b> V/8, 301 C.I., 350 C.I. & 400 C.I. Pontiac Engines	\$344.00	
<b>FORWARD LAMP HARNESS</b>				
04060	1963	<b>FORWARD LAMP HARNESS</b>	\$239.00	
04560	1964	<b>FORWARD LAMP HARNESS</b> Note: Requires Use Of Customers Bulkhead Connector.	\$265.00	
05615	1965	<b>FORWARD LAMP HARNESS</b> Note: Requires Use Of Customers Bulkhead Connector.	\$318.00	
09360	1966	<b>FORWARD LAMP HARNESS</b> Note: Requires Use Of Customers Bulkhead Connector.	\$318.00	
10305	1967	<b>FORWARD LAMP HARNESS</b> Passenger Note: Requires Use Of Customers Bulkhead Connector.	\$318.00	
10310	1967	<b>FORWARD LAMP HARNESS</b> Grand Prix Note: Requires Use Of Customers Bulkhead Connector.	\$344.00	
11360	1968	<b>FORWARD LAMP HARNESS</b> Passenger	\$344.00	
11365	1968	<b>FORWARD LAMP HARNESS</b> Grand Prix	\$344.00	
13400	1969	<b>FORWARD LAMP HARNESS</b> Passenger	\$344.00	
12905	1969	<b>FORWARD LAMP HARNESS</b> Grand Prix	\$344.00	
13695	1970	<b>FORWARD LAMP HARNESS</b> Passenger	\$344.00	
13620	1970	<b>FORWARD LAMP HARNESS</b> Grand Prix	\$344.00	
15895	1971	<b>FORWARD LAMP HARNESS</b> Passenger	\$344.00	
13625	1970	<b>FORWARD LAMP HARNESS</b> Grand Prix, With Cornering Lamps	\$344.00	
15900	1971	<b>FORWARD LAMP HARNESS</b> Grand Prix	\$344.00	
43909	1972	<b>FORWARD LAMP HARNESS</b> All, Without Cornering Lamps, Except Grand Prix	\$264.00	
43910	1972	<b>FORWARD LAMP HARNESS</b> All, With Cornering Lamps, Except Grand Prix	\$264.00	
43911	1972	<b>FORWARD LAMP HARNESS</b> All, Grand Prix, Without Cornering Lamps	\$264.00	
40391	1972	<b>FORWARD LAMP HARNESS</b> All, Grand Prix, With Cornering Lamps	\$264.00	
41516	1973	<b>FORWARD LAMP HARNESS</b> All, Without Cornering Lamps, Except Grand Prix	\$396.00	
41517	1973	<b>FORWARD LAMP HARNESS</b> All, With Cornering Lamps, Except Grand Prix	\$396.00	
41518	1973	<b>FORWARD LAMP HARNESS</b> All, Grand Prix, Without Cornering Lamps	\$396.00	
41519	1973	<b>FORWARD LAMP HARNESS</b> All, Grand Prix, With Cornering Lamps	\$396.00	
41520	1974	<b>FORWARD LAMP HARNESS</b> All, Without Cornering Lamps, Except Grand Prix	\$396.00	
41521	1974	<b>FORWARD LAMP HARNESS</b> All, With Cornering Lamps, Except Grand Prix	\$396.00	
41522	1974	<b>FORWARD LAMP HARNESS</b> All, Grand Prix, Without Cornering Lamps	\$396.00	
41523	1974	<b>FORWARD LAMP HARNESS</b> All, Grand Prix, With Cornering Lamps	\$396.00	
41526	1975	<b>FORWARD LAMP HARNESS</b> All, Without Cornering Lamps, Except Grand Prix Note: Used On Cars With Round Headlamps.	\$396.00	
41527	1975	<b>FORWARD LAMP HARNESS</b> All, With Cornering Lamps, Except Grand Prix Note: Used On Cars With Round Headlamps.	\$396.00	
41528	1975	<b>FORWARD LAMP HARNESS</b> All, Without Cornering Lamps, Except Grand Prix Note: Used On Cars With Rectangular Headlamps.	\$396.00	
41529	1975	<b>FORWARD LAMP HARNESS</b> All, With Cornering Lamps, Except Grand Prix Note: Used On Cars With Rectangular Headlamps.	\$396.00	
41530	1975	<b>FORWARD LAMP HARNESS</b> All, Grand Prix, Without Cornering Lamps	\$396.00	
41531	1975	<b>FORWARD LAMP HARNESS</b> All, Grand Prix, With Cornering Lamps	\$396.00	

Part Number	Year	Description	Price	*Rev.
41526	1976	<b>FORWARD LAMP HARNESS</b> All, Without Cornering Lamps, Except Grand Prix Note: Used On Cars With Round Headlamps.	\$396.00	
41527	1976	<b>FORWARD LAMP HARNESS</b> All, With Cornering Lamps, Except Grand Prix Note: Used On Cars With Round Headlamps.	\$396.00	
41528	1976	<b>FORWARD LAMP HARNESS</b> All, Without Cornering Lamps, Except Grand Prix Note: Used On Cars With Rectangular Headlamps.	\$396.00	
41529	1976	<b>FORWARD LAMP HARNESS</b> All, With Cornering Lamps, Except Grand Prix Note: Used On Cars With Rectangular Headlamps.	\$396.00	
41532	1976	<b>FORWARD LAMP HARNESS</b> All, Grand Prix, Without Cornering Lamps	\$396.00	
41533	1976	<b>FORWARD LAMP HARNESS</b> All, Grand Prix, With Cornering Lamps	\$396.00	
41538	1977	<b>FORWARD LAMP HARNESS</b> All, Without Cornering Lamps, Except Grand Prix	\$396.00	
41539	1977	<b>FORWARD LAMP HARNESS</b> All, With Cornering Lamps, Except Grand Prix	\$396.00	
41540	1977	<b>FORWARD LAMP HARNESS</b> All, Grand Prix, Without Cornering Lamps	\$396.00	
41541	1977	<b>FORWARD LAMP HARNESS</b> All, Grand Prix, With Cornering Lamps	\$396.00	
41544	1978	<b>FORWARD LAMP HARNESS</b> All, Without Cornering Lamps	\$396.00	
41545	1978	<b>FORWARD LAMP HARNESS</b> All, With Cornering Lamps	\$396.00	
<b>FUEL TANK SENDING UNIT</b>				
06428035	1969	<b>FUEL TANK SENDING UNIT</b> Grand Prix, V/8, 3/8" Fuel Line, With 2nd Vent Line	\$43.00	N
<b>GLOVE BOX LAMP KIT</b>				
18000	1963	<b>GLOVE BOX LAMP KIT</b> Socket, Bulb & Wire	\$24.00	
18000	1964	<b>GLOVE BOX LAMP KIT</b> Socket, Bulb & Wire	\$24.00	
18000	1965	<b>GLOVE BOX LAMP KIT</b> Socket, Bulb & Wire	\$24.00	
18000	1966	<b>GLOVE BOX LAMP KIT</b> Socket, Bulb & Wire	\$24.00	
18000	1967	<b>GLOVE BOX LAMP KIT</b> Socket, Bulb & Wire	\$24.00	
<b>GROUND WIRE-DISTRIBUTOR POINT PLATE</b>				
38298	1957	<b>GROUND WIRE, DISTRIBUTOR POINT PLATE</b> From Distributor Point Plate To Distributor Housing Note: Replaces Spot Welded Wire Asm On Point Plate Side. Fits All GM V/8 Point Type Distributors From Approx. 1957-1974.	\$17.00	C
38298	1958	<b>GROUND WIRE, DISTRIBUTOR POINT PLATE</b> From Distributor Point Plate To Distributor Housing Note: Replaces Spot Welded Wire Asm On Point Plate Side. Fits All GM V/8 Point Type Distributors From Approx. 1957-1974.	\$17.00	C
38298	1959	<b>GROUND WIRE, DISTRIBUTOR POINT PLATE</b> From Distributor Point Plate To Distributor Housing Note: Replaces Spot Welded Wire Asm On Point Plate Side. Fits All GM V/8 Point Type Distributors From Approx. 1957-1974.	\$17.00	C
38298	1960	<b>GROUND WIRE, DISTRIBUTOR POINT PLATE</b> From Distributor Point Plate To Distributor Housing Note: Replaces Spot Welded Wire Asm On Point Plate Side. Fits All GM V/8 Point Type Distributors From Approx. 1957-1974.	\$17.00	C
38298	1961	<b>GROUND WIRE, DISTRIBUTOR POINT PLATE</b> From Distributor Point Plate To Distributor Housing Note: Replaces Spot Welded Wire Asm On Point Plate Side. Fits All GM V/8 Point Type Distributors From Approx. 1957-1974.	\$17.00	C
38298	1962	<b>GROUND WIRE, DISTRIBUTOR POINT PLATE</b> From Distributor Point Plate To Distributor Housing Note: Replaces Spot Welded Wire Asm On Point Plate Side. Fits All GM V/8 Point Type Distributors From Approx. 1957-1974.	\$17.00	C
38298	1963	<b>GROUND WIRE, DISTRIBUTOR POINT PLATE</b> From Distributor Point Plate To Distributor Housing Note: Replaces Spot Welded Wire Asm On Point Plate Side. Fits All GM V/8 Point Type Distributors From Approx. 1957-1974.	\$17.00	C
38298	1964	<b>GROUND WIRE, DISTRIBUTOR POINT PLATE</b> From Distributor Point Plate To Distributor Housing Note: Replaces Spot Welded Wire Asm On Point Plate Side. Fits All GM V/8 Point Type Distributors From Approx. 1957-1974.	\$17.00	C
38298	1965	<b>GROUND WIRE, DISTRIBUTOR POINT PLATE</b> From Distributor Point Plate To Distributor Housing Note: Replaces Spot Welded Wire Asm On Point Plate Side. Fits All GM V/8 Point Type Distributors From Approx. 1957-1974.	\$17.00	C
38298	1966	<b>GROUND WIRE, DISTRIBUTOR POINT PLATE</b> From Distributor Point Plate To Distributor Housing Note: Replaces Spot Welded Wire Asm On Point Plate Side. Fits All GM V/8 Point Type Distributors From Approx. 1957-1974.	\$17.00	C
38298	1967	<b>GROUND WIRE, DISTRIBUTOR POINT PLATE</b> From Distributor Point Plate To Distributor Housing Note: Replaces Spot Welded Wire Asm On Point Plate Side. Fits All GM V/8 Point Type Distributors From Approx. 1957-1974.	\$17.00	C

Part Number	Year	Description	Price	*Rev.
38298	1968	<b>GROUND WIRE, DISTRIBUTOR POINT PLATE</b> From Distributor Point Plate To Distributor Housing Note: Replaces Spot Welded Wire Asm On Point Plate Side. Fits All GM V/8 Point Type Distributors From Approx. 1957-1974.	\$17.00	C
38298	1969	<b>GROUND WIRE, DISTRIBUTOR POINT PLATE</b> From Distributor Point Plate To Distributor Housing Note: Replaces Spot Welded Wire Asm On Point Plate Side. Fits All GM V/8 Point Type Distributors From Approx. 1957-1974.	\$17.00	C
38298	1970	<b>GROUND WIRE, DISTRIBUTOR POINT PLATE</b> From Distributor Point Plate To Distributor Housing Note: Replaces Spot Welded Wire Asm On Point Plate Side. Fits All GM V/8 Point Type Distributors From Approx. 1957-1974.	\$17.00	C
38298	1971	<b>GROUND WIRE, DISTRIBUTOR POINT PLATE</b> From Distributor Point Plate To Distributor Housing Note: Replaces Spot Welded Wire Asm On Point Plate Side. Fits All GM V/8 Point Type Distributors From Approx. 1957-1974.	\$17.00	C
38298	1972	<b>GROUND WIRE, DISTRIBUTOR POINT PLATE</b> From Distributor Point Plate To Distributor Housing Note: Replaces Spot Welded Wire Asm On Point Plate Side. Fits All GM V/8 Point Type Distributors From Approx. 1957-1974.	\$17.00	C
38298	1973	<b>GROUND WIRE, DISTRIBUTOR POINT PLATE</b> From Distributor Point Plate To Distributor Housing Note: Replaces Spot Welded Wire Asm On Point Plate Side. Fits All GM V/8 Point Type Distributors From Approx. 1957-1974.	\$17.00	C
38298	1974	<b>GROUND WIRE, DISTRIBUTOR POINT PLATE</b> From Distributor Point Plate To Distributor Housing Note: Replaces Spot Welded Wire Asm On Point Plate Side. Fits All GM V/8 Point Type Distributors From Approx. 1957-1974.	\$17.00	C

**HARNESS TAPE**

R0058272	1955	<b>HARNESS TAPE</b> 3/4" Vinyl (100 Ft. Roll) Non-Adhesive	\$12.00	
R0058276	1955	<b>HARNESS TAPE</b> 1" Vinyl (100 Ft. Roll) Non-Adhesive	\$13.00	
R0067108	1955	<b>HARNESS TAPE</b> 1 1/4" Vinyl (100 Ft. Roll) Non-Adhesive	\$15.00	
R0058272	1956	<b>HARNESS TAPE</b> 3/4" Vinyl (100 Ft. Roll) Non-Adhesive	\$12.00	
R0058276	1956	<b>HARNESS TAPE</b> 1" Vinyl (100 Ft. Roll) Non-Adhesive	\$13.00	
R0067108	1956	<b>HARNESS TAPE</b> 1 1/4" Vinyl (100 Ft. Roll) Non-Adhesive	\$15.00	
R0058272	1957	<b>HARNESS TAPE</b> 3/4" Vinyl (100 Ft. Roll) Non-Adhesive	\$12.00	
R0058276	1957	<b>HARNESS TAPE</b> 1" Vinyl (100 Ft. Roll) Non-Adhesive	\$13.00	
R0067108	1957	<b>HARNESS TAPE</b> 1 1/4" Vinyl (100 Ft. Roll) Non-Adhesive	\$15.00	
R0058272	1958	<b>HARNESS TAPE</b> 3/4" Vinyl (100 Ft. Roll) Non-Adhesive	\$12.00	
R0058276	1958	<b>HARNESS TAPE</b> 1" Vinyl (100 Ft. Roll) Non-Adhesive	\$13.00	
R0067108	1958	<b>HARNESS TAPE</b> 1 1/4" Vinyl (100 Ft. Roll) Non-Adhesive	\$15.00	
R0058272	1959	<b>HARNESS TAPE</b> 3/4" Vinyl (100 Ft. Roll) Non-Adhesive	\$12.00	
R0058276	1959	<b>HARNESS TAPE</b> 1" Vinyl (100 Ft. Roll) Non-Adhesive	\$13.00	
R0067108	1959	<b>HARNESS TAPE</b> 1 1/4" Vinyl (100 Ft. Roll) Non-Adhesive	\$15.00	
R0058272	1960	<b>HARNESS TAPE</b> 3/4" Vinyl (100 Ft. Roll) Non-Adhesive	\$12.00	
R0058276	1960	<b>HARNESS TAPE</b> 1" Vinyl (100 Ft. Roll) Non-Adhesive	\$13.00	
R0067108	1960	<b>HARNESS TAPE</b> 1 1/4" Vinyl (100 Ft. Roll) Non-Adhesive	\$15.00	
R0058272	1961	<b>HARNESS TAPE</b> 3/4" Vinyl (100 Ft. Roll) Non-Adhesive	\$12.00	
R0058276	1961	<b>HARNESS TAPE</b> 1" Vinyl (100 Ft. Roll) Non-Adhesive	\$13.00	
R0067108	1961	<b>HARNESS TAPE</b> 1 1/4" Vinyl (100 Ft. Roll) Non-Adhesive	\$15.00	
R0058272	1962	<b>HARNESS TAPE</b> 3/4" Vinyl (100 Ft. Roll) Non-Adhesive	\$12.00	
R0058276	1962	<b>HARNESS TAPE</b> 1" Vinyl (100 Ft. Roll) Non-Adhesive	\$13.00	
R0067108	1962	<b>HARNESS TAPE</b> 1 1/4" Vinyl (100 Ft. Roll) Non-Adhesive	\$15.00	
R0058272	1963	<b>HARNESS TAPE</b> 3/4" Vinyl (100 Ft. Roll) Non-Adhesive	\$12.00	
R0058276	1963	<b>HARNESS TAPE</b> 1" Vinyl (100 Ft. Roll) Non-Adhesive	\$13.00	
R0067108	1963	<b>HARNESS TAPE</b> 1 1/4" Vinyl (100 Ft. Roll) Non-Adhesive	\$15.00	
R0058272	1964	<b>HARNESS TAPE</b> 3/4" Vinyl (100 Ft. Roll) Non-Adhesive	\$12.00	
R0058276	1964	<b>HARNESS TAPE</b> 1" Vinyl (100 Ft. Roll) Non-Adhesive	\$13.00	
R0067108	1964	<b>HARNESS TAPE</b> 1 1/4" Vinyl (100 Ft. Roll) Non-Adhesive	\$15.00	
R0058272	1965	<b>HARNESS TAPE</b> 3/4" Vinyl (100 Ft. Roll) Non-Adhesive	\$12.00	
R0058276	1965	<b>HARNESS TAPE</b> 1" Vinyl (100 Ft. Roll) Non-Adhesive	\$13.00	

Part Number	Year	Description	Price	*Rev.
R0067108	1965	HARNESS TAPE 1 1/4" Vinyl (100 Ft. Roll) Non-Adhesive	\$15.00	
R0058272	1966	HARNESS TAPE 3/4" Vinyl (100 Ft. Roll) Non-Adhesive	\$12.00	
R0058276	1966	HARNESS TAPE 1" Vinyl (100 Ft. Roll) Non-Adhesive	\$13.00	
R0067108	1966	HARNESS TAPE 1 1/4" Vinyl (100 Ft. Roll) Non-Adhesive	\$15.00	
R0058272	1967	HARNESS TAPE 3/4" Vinyl (100 Ft. Roll) Non-Adhesive	\$12.00	
R0058276	1967	HARNESS TAPE 1" Vinyl (100 Ft. Roll) Non-Adhesive	\$13.00	
R0067108	1967	HARNESS TAPE 1 1/4" Vinyl (100 Ft. Roll) Non-Adhesive	\$15.00	
R0058272	1968	HARNESS TAPE 3/4" Vinyl (100 Ft. Roll) Non-Adhesive	\$12.00	
R0058276	1968	HARNESS TAPE 1" Vinyl (100 Ft. Roll) Non-Adhesive	\$13.00	
R0067108	1968	HARNESS TAPE 1 1/4" Vinyl (100 Ft. Roll) Non-Adhesive	\$15.00	
R0058272	1969	HARNESS TAPE 3/4" Vinyl (100 Ft. Roll) Non-Adhesive	\$12.00	
R0058276	1969	HARNESS TAPE 1" Vinyl (100 Ft. Roll) Non-Adhesive	\$13.00	
R0067108	1969	HARNESS TAPE 1 1/4" Vinyl (100 Ft. Roll) Non-Adhesive	\$15.00	
R0058272	1970	HARNESS TAPE 3/4" Vinyl (100 Ft. Roll) Non-Adhesive	\$12.00	
R0058276	1970	HARNESS TAPE 1" Vinyl (100 Ft. Roll) Non-Adhesive	\$13.00	
R0067108	1970	HARNESS TAPE 1 1/4" Vinyl (100 Ft. Roll) Non-Adhesive	\$15.00	
R0058272	1971	HARNESS TAPE 3/4" Vinyl (100 Ft. Roll) Non-Adhesive	\$12.00	
R0058276	1971	HARNESS TAPE 1" Vinyl (100 Ft. Roll) Non-Adhesive	\$13.00	
R0067108	1971	HARNESS TAPE 1 1/4" Vinyl (100 Ft. Roll) Non-Adhesive	\$15.00	
R0058272	1972	HARNESS TAPE 3/4" Vinyl (100 Ft. Roll) Non-Adhesive	\$12.00	
R0058276	1972	HARNESS TAPE 1" Vinyl (100 Ft. Roll) Non-Adhesive	\$13.00	
R0067108	1972	HARNESS TAPE 1 1/4" Vinyl (100 Ft. Roll) Non-Adhesive	\$15.00	
R0058272	1973	HARNESS TAPE 3/4" Vinyl (100 Ft. Roll) Non-Adhesive	\$12.00	
R0058276	1973	HARNESS TAPE 1" Vinyl (100 Ft. Roll) Non-Adhesive	\$13.00	
R0067108	1973	HARNESS TAPE 1 1/4" Vinyl (100 Ft. Roll) Non-Adhesive	\$15.00	
R0058272	1974	HARNESS TAPE 3/4" Vinyl (100 Ft. Roll) Non-Adhesive	\$12.00	
R0058276	1974	HARNESS TAPE 1" Vinyl (100 Ft. Roll) Non-Adhesive	\$13.00	
R0067108	1974	HARNESS TAPE 1 1/4" Vinyl (100 Ft. Roll) Non-Adhesive	\$15.00	
R0058272	1975	HARNESS TAPE 3/4" Vinyl (100 Ft. Roll) Non-Adhesive	\$12.00	
R0058276	1975	HARNESS TAPE 1" Vinyl (100 Ft. Roll) Non-Adhesive	\$13.00	
R0067108	1975	HARNESS TAPE 1 1/4" Vinyl (100 Ft. Roll) Non-Adhesive	\$15.00	
R0058272	1976	HARNESS TAPE 3/4" Vinyl (100 Ft. Roll) Non-Adhesive	\$12.00	
R0058276	1976	HARNESS TAPE 1" Vinyl (100 Ft. Roll) Non-Adhesive	\$13.00	
R0067108	1976	HARNESS TAPE 1 1/4" Vinyl (100 Ft. Roll) Non-Adhesive	\$15.00	
R0058272	1977	HARNESS TAPE 3/4" Vinyl (100 Ft. Roll) Non-Adhesive	\$12.00	
R0058276	1977	HARNESS TAPE 1" Vinyl (100 Ft. Roll) Non-Adhesive	\$13.00	
R0067108	1977	HARNESS TAPE 1 1/4" Vinyl (100 Ft. Roll) Non-Adhesive	\$15.00	
R0058272	1978	HARNESS TAPE 3/4" Vinyl (100 Ft. Roll) Non-Adhesive	\$12.00	
R0058276	1978	HARNESS TAPE 1" Vinyl (100 Ft. Roll) Non-Adhesive	\$13.00	
R0067108	1978	HARNESS TAPE 1 1/4" Vinyl (100 Ft. Roll) Non-Adhesive	\$15.00	
<b>HEATER AND A/C INDICATOR LAMP HARNESS</b>				
09595	1966	HEATER AND A/C INDICATOR LAMP HARNESS Dash Harness To Heater Or A/C Control Panel Indicator	\$26.00	
<b>IGNITION BALLAST RESISTOR</b>				
01957154	1955	IGNITION BALLAST RESISTOR All	\$12.00	N
01957154	1956	IGNITION BALLAST RESISTOR All	\$12.00	N
01957154	1957	IGNITION BALLAST RESISTOR All	\$12.00	N

Part Number	Year	Description	Price	*Rev.
01957154	1958	IGNITION BALLAST RESISTOR All	\$12.00	N
01957154	1959	IGNITION BALLAST RESISTOR All	\$12.00	N
<b>IGNITION CYLINDER AND KEYS</b>				
20071252	1969	IGNITION CYLINDER AND KEYS Chrome, Catalina, Bonneville, Grand Prix	\$18.50	N
20071252	1970	IGNITION CYLINDER AND KEYS Chrome, Catalina, Bonneville, Grand Prix	\$18.50	N
20071252	1971	IGNITION CYLINDER AND KEYS Chrome, Catalina, Bonneville, Grand Prix	\$18.50	N
20071252	1972	IGNITION CYLINDER AND KEYS Chrome, Catalina, Bonneville, Grand Prix	\$18.50	N
20071252	1973	IGNITION CYLINDER AND KEYS Chrome, Catalina, Bonneville, Grand Prix	\$18.50	N
20071252	1974	IGNITION CYLINDER AND KEYS Chrome, Catalina, Bonneville, Grand Prix	\$18.50	N
20071252	1975	IGNITION CYLINDER AND KEYS Chrome, Catalina, Bonneville, Grand Prix	\$18.50	N
20071252	1976	IGNITION CYLINDER AND KEYS Chrome, Catalina, Bonneville, Grand Prix	\$18.50	N
20071252	1977	IGNITION CYLINDER AND KEYS Chrome, Catalina, Bonneville, Grand Prix	\$18.50	N
20071252	1978	IGNITION CYLINDER AND KEYS Chrome, Catalina, Bonneville, Grand Prix, 1st Design, Used On Columns Without Lock Cylinder Retaining Screw	\$18.50	N
07833759	1978	IGNITION CYLINDER AND KEYS Chrome, Catalina, Bonneville, Grand Prix, 2nd Design, Used On Columns With Lock Cylinder Retaining Screw	\$18.50	N
07833759	1979	IGNITION CYLINDER AND KEYS Chrome, Catalina, Bonneville, Grand Prix	\$18.50	N
07833759	1980	IGNITION CYLINDER AND KEYS Chrome, Catalina, Bonneville, Grand Prix	\$18.50	N
07833759	1981	IGNITION CYLINDER AND KEYS Chrome, Catalina, Bonneville, Grand Prix	\$18.50	N
07833759	1982	IGNITION CYLINDER AND KEYS Chrome, Bonneville, Grand Prix	\$18.50	N
07833759	1983	IGNITION CYLINDER AND KEYS Chrome, Bonneville, Grand Prix, Parisienne	\$18.50	N
07833759	1984	IGNITION CYLINDER AND KEYS Chrome, Bonneville, Grand Prix, Parisienne	\$18.50	N
07833759	1985	IGNITION CYLINDER AND KEYS Chrome, Bonneville, Grand Prix, Parisienne	\$18.50	N
07833759	1986	IGNITION CYLINDER AND KEYS Chrome, Bonneville, Grand Prix, Parisienne	\$18.50	N
07833759	1987	IGNITION CYLINDER AND KEYS Chrome, Grand Prix, Safari	\$18.50	N
07833759	1988	IGNITION CYLINDER AND KEYS Chrome, Safari	\$18.50	N
07833759	1989	IGNITION CYLINDER AND KEYS Chrome, Safari	\$18.50	N
<b>IGNITION SWITCH</b>				
01990110	1969	IGNITION SWITCH All, With Tilt	\$14.00	N
01990110	1970	IGNITION SWITCH All, With Tilt	\$14.00	N
01990110	1971	IGNITION SWITCH All, With Tilt	\$14.00	N
01990110	1972	IGNITION SWITCH All, With Tilt	\$14.00	N
01990110	1973	IGNITION SWITCH All, With Tilt	\$14.00	N
01990110	1974	IGNITION SWITCH All, With Tilt	\$14.00	N
01990110	1975	IGNITION SWITCH All, With Tilt	\$14.00	N
01990110	1976	IGNITION SWITCH All, With Tilt	\$14.00	N
01990110	1977	IGNITION SWITCH All, With Tilt	\$14.00	N
01990110	1978	IGNITION SWITCH All, With Tilt	\$14.00	N
01990110	1979	IGNITION SWITCH All, With Tilt	\$14.00	N
01990110	1980	IGNITION SWITCH All, With Tilt	\$14.00	N
01990110	1981	IGNITION SWITCH All, With Tilt	\$14.00	N
01990110	1982	IGNITION SWITCH All, With Tilt	\$14.00	N
01990110	1983	IGNITION SWITCH All, With Tilt	\$14.00	N
01990110	1984	IGNITION SWITCH All, With Tilt	\$14.00	N
01990110	1985	IGNITION SWITCH All, With Tilt	\$14.00	N
01990110	1986	IGNITION SWITCH All, With Tilt	\$14.00	N
01990110	1987	IGNITION SWITCH All, With Tilt	\$14.00	N

Part Number	Year	Description	Price	*Rev.
01990110	1988	<b>IGNITION SWITCH</b> All, With Tilt	\$14.00	N
01990110	1989	<b>IGNITION SWITCH</b> All, With Tilt	\$14.00	N
01990110	1990	<b>IGNITION SWITCH</b> All, With Tilt	\$14.00	N
<b>INSTRUMENT CLUSTER LAMP EXTENSION HARNESS</b>				
04270	1963	<b>INSTRUMENT CLUSTER LAMP EXTENSION HARNESS</b> Dash Harness To Ammeter, Clock & Fuel Gauges Lamps	\$40.00	
<b>INSTRUMENT GAUGE CLUSTER CLIP KIT</b>				
08986000	1976	<b>CLIP KIT</b> All, Instrument Gauge Cluster / Printed Circuit Board Retaining Clip Note: Replaces Original GM Part Number 08986000, Includes 12 Clips Per Kit.	\$14.00	N
08986000	1977	<b>CLIP KIT</b> All, Instrument Gauge Cluster / Printed Circuit Board Retaining Clip Note: Replaces Original GM Part Number 08986000, Includes 12 Clips Per Kit.	\$14.00	N
08986000	1978	<b>CLIP KIT</b> All, Instrument Gauge Cluster / Printed Circuit Board Retaining Clip Note: Replaces Original GM Part Number 08986000, Includes 12 Clips Per Kit.	\$14.00	N
08986000	1979	<b>CLIP KIT</b> All, Instrument Gauge Cluster / Printed Circuit Board Retaining Clip Note: Replaces Original GM Part Number 08986000, Includes 12 Clips Per Kit.	\$14.00	N
08986000	1980	<b>CLIP KIT</b> All, Instrument Gauge Cluster / Printed Circuit Board Retaining Clip Note: Replaces Original GM Part Number 08986000, Includes 12 Clips Per Kit.	\$14.00	N
08986000	1981	<b>CLIP KIT</b> All, Instrument Gauge Cluster / Printed Circuit Board Retaining Clip Note: Replaces Original GM Part Number 08986000, Includes 12 Clips Per Kit.	\$14.00	N
08986000	1982	<b>CLIP KIT</b> Bonneville, Grand Prix, All, Instrument Gauge Cluster / Printed Circuit Board Retaining Clip Note: Replaces Original GM Part Number 08986000, Includes 12 Clips Per Kit.	\$14.00	N
08986000	1983	<b>CLIP KIT</b> Bonneville, Grand Prix, Parisienne, All, Instrument Gauge Cluster / Printed Circuit Board Retaining Clip Note: Replaces Original GM Part Number 08986000, Includes 12 Clips Per Kit.	\$14.00	N
08986000	1984	<b>CLIP KIT</b> Bonneville, Grand Prix, Parisienne, All, Instrument Gauge Cluster / Printed Circuit Board Retaining Clip Note: Replaces Original GM Part Number 08986000, Includes 12 Clips Per Kit.	\$14.00	N
08986000	1985	<b>CLIP KIT</b> Bonneville, Grand Prix, Parisienne, All, Instrument Gauge Cluster / Printed Circuit Board Retaining Clip Note: Replaces Original GM Part Number 08986000, Includes 12 Clips Per Kit.	\$14.00	N
08986000	1986	<b>CLIP KIT</b> Bonneville, Grand Prix, Parisienne, All, Instrument Gauge Cluster / Printed Circuit Board Retaining Clip Note: Replaces Original GM Part Number 08986000, Includes 12 Clips Per Kit.	\$14.00	N
08986000	1987	<b>CLIP KIT</b> Grand Prix, Safari, All, Instrument Gauge Cluster / Printed Circuit Board Retaining Clip Note: Replaces Original GM Part Number 08986000, Includes 12 Clips Per Kit.	\$14.00	N
08986000	1988	<b>CLIP KIT</b> Safari, All, Instrument Gauge Cluster / Printed Circuit Board Retaining Clip Note: Replaces Original GM Part Number 08986000, Includes 12 Clips Per Kit.	\$14.00	N
08986000	1989	<b>CLIP KIT</b> Safari, All, Instrument Gauge Cluster / Printed Circuit Board Retaining Clip Note: Replaces Original GM Part Number 08986000, Includes 12 Clips Per Kit.	\$14.00	N
<b>KICKDOWN SWITCH</b>				
01242101	1966	<b>KICKDOWN SWITCH</b> TH400 Auto Trans, Except Grand Prix	\$19.00	
01242101	1967	<b>KICKDOWN SWITCH</b> TH400 Auto Trans, Except Grand Prix	\$19.00	
01242101	1968	<b>KICKDOWN SWITCH</b> TH400 Auto Trans, Except Grand Prix	\$19.00	

Part Number	Year	Description	Price	*Rev.
01242101	1969	<b>KICKDOWN SWITCH</b> TH400 Auto Trans, Except Grand Prix	\$19.00	
01242101	1970	<b>KICKDOWN SWITCH</b> TH400 Auto Trans, Except Grand Prix	\$19.00	
01242101	1971	<b>KICKDOWN SWITCH</b> TH400 Auto Trans, Except Grand Prix	\$19.00	
01242101	1972	<b>KICKDOWN SWITCH</b> TH400 Auto Trans, Except Grand Prix	\$19.00	
01242101	1973	<b>KICKDOWN SWITCH</b> TH400 Auto Trans	\$19.00	
01242101	1974	<b>KICKDOWN SWITCH</b> TH400 Auto Trans	\$19.00	
01242101	1976	<b>KICKDOWN SWITCH</b> Catalina, Grand Prix, TH400, Auto Trans	\$19.00	
01242101	1977	<b>KICKDOWN SWITCH</b> Catalina, Grand Prix, TH400, Auto Trans	\$19.00	
<b>LOW FUEL INDICATOR MODULE</b>				
500274	1964	<b>LOW FUEL INDICATOR MODULE</b> Generic "Adjustable" Low Fuel Warning Module Note: A Complete Electronic Control Unit To Activate A Warning Lamp Or Relay When Fuel Level Drops Below A User Adjustable Level. Includes instruction sheet.	\$64.00	C
500274	1965	<b>LOW FUEL INDICATOR MODULE</b> Generic "Adjustable" Low Fuel Warning Module Note: A Complete Electronic Control Unit To Activate A Warning Lamp Or Relay When Fuel Level Drops Below A User Adjustable Level. Includes instruction sheet.	\$64.00	C
500274	1966	<b>LOW FUEL INDICATOR MODULE</b> Generic "Adjustable" Low Fuel Warning Module Note: A Complete Electronic Control Unit To Activate A Warning Lamp Or Relay When Fuel Level Drops Below A User Adjustable Level. Includes instruction sheet.	\$64.00	C
500274	1967	<b>LOW FUEL INDICATOR MODULE</b> Generic "Adjustable" Low Fuel Warning Module Note: A Complete Electronic Control Unit To Activate A Warning Lamp Or Relay When Fuel Level Drops Below A User Adjustable Level. Includes instruction sheet.	\$64.00	C
500274	1968	<b>LOW FUEL INDICATOR MODULE</b> Generic "Adjustable" Low Fuel Warning Module Note: A Complete Electronic Control Unit To Activate A Warning Lamp Or Relay When Fuel Level Drops Below A User Adjustable Level. Includes instruction sheet.	\$64.00	C
500274	1969	<b>LOW FUEL INDICATOR MODULE</b> Generic "Adjustable" Low Fuel Warning Module Note: A Complete Electronic Control Unit To Activate A Warning Lamp Or Relay When Fuel Level Drops Below A User Adjustable Level. Includes instruction sheet.	\$64.00	C
500274	1970	<b>LOW FUEL INDICATOR MODULE</b> Generic "Adjustable" Low Fuel Warning Module Note: A Complete Electronic Control Unit To Activate A Warning Lamp Or Relay When Fuel Level Drops Below A User Adjustable Level. Includes instruction sheet.	\$64.00	C
500274	1971	<b>LOW FUEL INDICATOR MODULE</b> Generic "Adjustable" Low Fuel Warning Module Note: A Complete Electronic Control Unit To Activate A Warning Lamp Or Relay When Fuel Level Drops Below A User Adjustable Level. Includes instruction sheet.	\$64.00	C
500274	1972	<b>LOW FUEL INDICATOR MODULE</b> Generic "Adjustable" Low Fuel Warning Module Note: A Complete Electronic Control Unit To Activate A Warning Lamp Or Relay When Fuel Level Drops Below A User Adjustable Level. Includes instruction sheet.	\$64.00	C
500274	1973	<b>LOW FUEL INDICATOR MODULE</b> Generic "Adjustable" Low Fuel Warning Module Note: A Complete Electronic Control Unit To Activate A Warning Lamp Or Relay When Fuel Level Drops Below A User Adjustable Level. Includes instruction sheet.	\$64.00	C
500274	1974	<b>LOW FUEL INDICATOR MODULE</b> Generic "Adjustable" Low Fuel Warning Module Note: A Complete Electronic Control Unit To Activate A Warning Lamp Or Relay When Fuel Level Drops Below A User Adjustable Level. Includes instruction sheet.	\$64.00	C
500274	1975	<b>LOW FUEL INDICATOR MODULE</b> Generic "Adjustable" Low Fuel Warning Module Note: A Complete Electronic Control Unit To Activate A Warning Lamp Or Relay When Fuel Level Drops Below A User Adjustable Level. Includes instruction sheet.	\$64.00	C
500274	1976	<b>LOW FUEL INDICATOR MODULE</b> Generic "Adjustable" Low Fuel Warning Module Note: A Complete Electronic Control Unit To Activate A Warning Lamp Or Relay When Fuel Level Drops Below A User Adjustable Level. Includes instruction sheet.	\$64.00	C
500274	1977	<b>LOW FUEL INDICATOR MODULE</b> Generic "Adjustable" Low Fuel Warning Module Note: A Complete Electronic Control Unit To Activate A Warning Lamp Or Relay When Fuel Level Drops Below A User Adjustable Level. Includes instruction sheet.	\$64.00	C

Part Number	Year	Description	Price	*Rev.
<b>NEUTRAL SAFETY AND BACKUP LAMP SWITCH</b>				
01993659	1965	NEUTRAL SAFETY AND BACKUP LAMP SWITCH With Column Shift Powerglide Auto Trans	\$12.00	
09779665	1965	NEUTRAL SAFETY AND BACKUP LAMP SWITCH With Console Shift Auto Trans	\$71.00	
01993659	1966	NEUTRAL SAFETY AND BACKUP LAMP SWITCH With Column Shift Powerglide Auto Trans	\$12.00	
09779665	1966	NEUTRAL SAFETY AND BACKUP LAMP SWITCH With Console Shift Auto Trans	\$71.00	
09779665	1967	NEUTRAL SAFETY AND BACKUP LAMP SWITCH With Console Shift Auto Trans	\$71.00	
09779665	1968	NEUTRAL SAFETY AND BACKUP LAMP SWITCH With Console Shift Auto Trans	\$71.00	
01994235	1969	NEUTRAL SAFETY AND BACKUP LAMP SWITCH With Column Shift Auto Trans, All	\$19.00	
01994235	1970	NEUTRAL SAFETY AND BACKUP LAMP SWITCH With Column Shift Auto Trans, All	\$19.00	
01994235	1971	NEUTRAL SAFETY AND BACKUP LAMP SWITCH With Column Shift Auto Trans, All	\$19.00	
01994235	1972	NEUTRAL SAFETY AND BACKUP LAMP SWITCH With Column Shift Auto Trans, All	\$19.00	
01994235	1973	NEUTRAL SAFETY AND BACKUP LAMP SWITCH With Column Shift Auto Trans, All	\$19.00	
01994163	1974	NEUTRAL SAFETY AND BACKUP LAMP SWITCH With Auto Trans, All	\$19.00	
<b>NEUTRAL SAFETY SWITCH</b>				
03983965	1970	NEUTRAL SAFETY SWITCH With 3 Speed Manual Trans	\$58.00	
03983965	1971	NEUTRAL SAFETY SWITCH With 3 Speed Manual Trans	\$58.00	
03983965	1972	NEUTRAL SAFETY SWITCH With 3 Speed Manual Trans	\$58.00	
<b>POWER ACCESSORY FEED WIRE</b>				
08790	1961	POWER ACCESSORY FEED WIRE Power Seat Circuit Breaker To Battery Junction Block	\$33.00	
<b>POWER DOOR LOCK RELAY AND ADAPTER HARNESS</b>				
39440	1970	POWER DOOR LOCK RELAY AND ADAPTER HARNESS Includes New Standard Type Relay And Adapter To Mate To Factory Harness	\$40.00	
39440	1971	POWER DOOR LOCK RELAY AND ADAPTER HARNESS Includes New Standard Type Relay And Adapter To Mate To Factory Harness	\$40.00	
39440	1972	POWER DOOR LOCK RELAY AND ADAPTER HARNESS Includes New Standard Type Relay And Adapter To Mate To Factory Harness	\$40.00	
<b>POWER DOOR LOCK SWITCH</b>				
01725099	1976	POWER DOOR LOCK SWITCH 1 Button	\$62.00	M
<b>POWER SEAT BACK RELAY AND ADAPTER HARNESS</b>				
39440	1970	POWER SEAT BACK RELAY AND ADAPTER HARNESS Includes New Standard Type Relay And Adapter To Mate To Factory Harness	\$40.00	
39440	1971	POWER SEAT BACK RELAY AND ADAPTER HARNESS Includes New Standard Type Relay And Adapter To Mate To Factory Harness	\$40.00	
39440	1972	POWER SEAT BACK RELAY AND ADAPTER HARNESS Includes New Standard Type Relay And Adapter To Mate To Factory Harness	\$40.00	
<b>POWER SEAT MOTOR RELAY AND ADAPTER HARNESS</b>				
40146	1964	POWER SEAT MOTOR RELAY AND ADAPTER HARNESS Includes New Standard Type Relay And Adapter To Mate To Factory Harness	\$74.00	
40146	1965	POWER SEAT MOTOR RELAY AND ADAPTER HARNESS Includes New Standard Type Relay And Adapter To Mate To Factory Harness	\$74.00	
40146	1966	POWER SEAT MOTOR RELAY AND ADAPTER HARNESS Includes New Standard Type Relay And Adapter To Mate To Factory Harness	\$74.00	
40146	1967	POWER SEAT MOTOR RELAY AND ADAPTER HARNESS Includes New Standard Type Relay And Adapter To Mate To Factory Harness	\$74.00	
40146	1968	POWER SEAT MOTOR RELAY AND ADAPTER HARNESS Includes New Standard Type Relay And Adapter To Mate To Factory Harness	\$74.00	
40146	1969	POWER SEAT MOTOR RELAY AND ADAPTER HARNESS Includes New Standard Type Relay And Adapter To Mate To Factory Harness	\$74.00	
40146	1970	POWER SEAT MOTOR RELAY AND ADAPTER HARNESS Includes New Standard Type Relay And Adapter To Mate To Factory Harness	\$74.00	



Part Number	Year	Description	Price	*Rev.
40146	1971	<b>POWER SEAT MOTOR RELAY AND ADAPTER HARNESS</b> Includes New Standard Type Relay And Adapter To Mate To Factory Harness	\$74.00	
40146	1972	<b>POWER SEAT MOTOR RELAY AND ADAPTER HARNESS</b> Includes New Standard Type Relay And Adapter To Mate To Factory Harness	\$74.00	
40146	1973	<b>POWER SEAT MOTOR RELAY AND ADAPTER HARNESS</b> Includes New Standard Type Relay And Adapter To Mate To Factory Harness	\$74.00	
40146	1974	<b>POWER SEAT MOTOR RELAY AND ADAPTER HARNESS</b> Includes New Standard Type Relay And Adapter To Mate To Factory Harness	\$74.00	
40146	1975	<b>POWER SEAT MOTOR RELAY AND ADAPTER HARNESS</b> Includes New Standard Type Relay And Adapter To Mate To Factory Harness	\$74.00	
<b>POWER TAILGATE JUMPER HARNESS</b>				
06515	1963	<b>POWER TAILGATE JUMPER HARNESS</b> Bonneville & Catalina 4 Door Safari, Dash To Tailgate Harness	\$74.00	
<b>POWER WINDOW HARNESS</b>				
08530	1959	<b>POWER WINDOW HARNESS</b> Bonneville & Catalina Sport Coupe, Front Door & Rear Quarter Window, R.H.	\$291.00	
08520	1959	<b>POWER WINDOW JUMPER HARNESS</b> Left To Right Side Door & Quarter Window	\$113.00	
08520	1960	<b>POWER WINDOW JUMPER HARNESS</b> Left To Right Side Door & Quarter Window	\$113.00	
08765	1961	<b>POWER WINDOW HARNESS</b> Front Left & Right Doors	\$305.00	
08765	1962	<b>POWER WINDOW HARNESS</b> Front Left & Right Doors	\$305.00	
08945	1962	<b>POWER WINDOW HARNESS</b> Bonneville 4 Door Safari Wagon, Catalina & Star Chief 4 Door Sedans, Left Rear Door	\$132.00	
08940	1962	<b>POWER WINDOW HARNESS</b> Bonneville 4 Door Safari Wagon, Catalina & Star Chief 4 Door Sedans, Right Rear Door	\$132.00	
08945	1963	<b>POWER WINDOW HARNESS</b> Bonneville 4 Door Safari Wagon, Catalina & Star Chief 4 Door Sedans, Left Rear Door	\$132.00	
08940	1963	<b>POWER WINDOW HARNESS</b> Bonneville 4 Door Safari Wagon, Catalina & Star Chief 4 Door Sedans, Right Rear Door	\$132.00	
06630	1963	<b>POWER WINDOW HARNESS</b> Bonneville & Catalina Convertible, Left Rear Quarter Window	\$119.00	
08945	1964	<b>POWER WINDOW HARNESS</b> Bonneville 4 Door Safari Wagon, Catalina & Star Chief 4 Door Sedans, Left Rear Door	\$132.00	
08940	1964	<b>POWER WINDOW HARNESS</b> Bonneville 4 Door Safari Wagon, Catalina & Star Chief 4 Door Sedans, Right Rear Door	\$132.00	
06625	1963	<b>POWER WINDOW HARNESS</b> Bonneville & Catalina Convertible, Right Rear Quarter Window	\$119.00	
06620	1963	<b>POWER WINDOW HARNESS</b> Catalina Sport Sedan, Left Rear Quarter Window	\$132.00	
06615	1963	<b>POWER WINDOW HARNESS</b> Catalina Sport Sedan, Right Rear Quarter Window	\$132.00	
06640	1963	<b>POWER WINDOW HARNESS</b> All Sport Coupe, Left Rear Quarter Window	\$119.00	
06635	1963	<b>POWER WINDOW HARNESS</b> All Sport Coupe, Right Rear Quarter Window	\$119.00	
07170	1963	<b>POWER WINDOW MOTOR EXTENSION</b> Rear Quarter Window Harness To Motor, 2 Required Per Car	\$25.00	
06630	1964	<b>POWER WINDOW HARNESS</b> Bonneville & Catalina Convertible, Left Rear Quarter Window	\$119.00	
06625	1964	<b>POWER WINDOW HARNESS</b> Bonneville & Catalina Convertible, Right Rear Quarter Window	\$119.00	
06620	1964	<b>POWER WINDOW HARNESS</b> Catalina Sport Sedan, Left Rear Quarter Window	\$132.00	
06615	1964	<b>POWER WINDOW HARNESS</b> Catalina Sport Sedan, Right Rear Quarter Window	\$132.00	
07170	1964	<b>POWER WINDOW MOTOR EXTENSION</b> Rear Quarter Window Harness To Motor, 2 Required Per Car	\$25.00	
08045	1965	<b>POWER WINDOW HARNESS</b> All Coupe & Sport Coupe Quarter Windows (LH & RH)	\$212.00	
07370	1965	<b>POWER WINDOW HARNESS</b> Bonneville & Catalina Convertible Quarter Windows (LH & RH)	\$173.00	
08085	1965	<b>POWER WINDOW HARNESS</b> Catalina 2 Door Sedan Quarter Windows (LH & RH)	\$186.00	
08045	1966	<b>POWER WINDOW HARNESS</b> All Coupe & Sport Coupe Quarter Windows (LH & RH)	\$212.00	
07370	1966	<b>POWER WINDOW HARNESS</b> Bonneville, Catalina & 2+2 Convertible Qtr. Windows (LH & RH)	\$173.00	
08085	1966	<b>POWER WINDOW HARNESS</b> Catalina 2 Door Sedan Quarter Windows (LH & RH)	\$186.00	

Part Number	Year	Description	Price	*Rev.
<b>POWER WINDOW MOTOR ADAPTER HARNESS</b>				
36954	1958	<b>POWER WINDOW MOTOR ADAPTER HARNESS</b> Adapts "T" Shaped Motor Connector To Side By Side Blade Type Motor Connector	\$22.00	C
36954	1959	<b>POWER WINDOW MOTOR ADAPTER HARNESS</b> Adapts "T" Shaped Motor Connector To Side By Side Blade Type Motor Connector	\$22.00	C
36954	1960	<b>POWER WINDOW MOTOR ADAPTER HARNESS</b> Adapts "T" Shaped Motor Connector To Side By Side Blade Type Motor Connector	\$22.00	C
36954	1961	<b>POWER WINDOW MOTOR ADAPTER HARNESS</b> Adapts "T" Shaped Motor Connector To Side By Side Blade Type Motor Connector	\$22.00	C
36954	1962	<b>POWER WINDOW MOTOR ADAPTER HARNESS</b> Adapts "T" Shaped Motor Connector To Side By Side Blade Type Motor Connector	\$22.00	C
36954	1963	<b>POWER WINDOW MOTOR ADAPTER HARNESS</b> Adapts "T" Shaped Motor Connector To Side By Side Blade Type Motor Connector	\$22.00	C
36954	1964	<b>POWER WINDOW MOTOR ADAPTER HARNESS</b> Adapts "T" Shaped Motor Connector To Side By Side Blade Type Motor Connector	\$22.00	C
36954	1965	<b>POWER WINDOW MOTOR ADAPTER HARNESS</b> Adapts "T" Shaped Motor Connector To Side By Side Blade Type Motor Connector	\$22.00	C
36954	1966	<b>POWER WINDOW MOTOR ADAPTER HARNESS</b> Adapts "T" Shaped Motor Connector To Side By Side Blade Type Motor Connector	\$22.00	C
36954	1967	<b>POWER WINDOW MOTOR ADAPTER HARNESS</b> Adapts "T" Shaped Motor Connector To Side By Side Blade Type Motor Connector	\$22.00	C
36954	1968	<b>POWER WINDOW MOTOR ADAPTER HARNESS</b> Adapts "T" Shaped Motor Connector To Side By Side Blade Type Motor Connector	\$22.00	C
36954	1969	<b>POWER WINDOW MOTOR ADAPTER HARNESS</b> Adapts "T" Shaped Motor Connector To Side By Side Blade Type Motor Connector	\$22.00	C
36954	1970	<b>POWER WINDOW MOTOR ADAPTER HARNESS</b> Adapts "T" Shaped Motor Connector To Side By Side Blade Type Motor Connector	\$22.00	C
36954	1971	<b>POWER WINDOW MOTOR ADAPTER HARNESS</b> Adapts "T" Shaped Motor Connector To Side By Side Blade Type Motor Connector	\$22.00	C
36954	1972	<b>POWER WINDOW MOTOR ADAPTER HARNESS</b> Adapts "T" Shaped Motor Connector To Side By Side Blade Type Motor Connector	\$22.00	C
36954	1973	<b>POWER WINDOW MOTOR ADAPTER HARNESS</b> Adapts "T" Shaped Motor Connector To Side By Side Blade Type Motor Connector	\$22.00	C
36954	1974	<b>POWER WINDOW MOTOR ADAPTER HARNESS</b> Adapts "T" Shaped Motor Connector To Side By Side Blade Type Motor Connector	\$22.00	C
36954	1975	<b>POWER WINDOW MOTOR ADAPTER HARNESS</b> Adapts "T" Shaped Motor Connector To Side By Side Blade Type Motor Connector	\$22.00	C
<b>POWER WINDOW RELAY AND ADAPTER HARNESS</b>				
39440	1968	<b>POWER WINDOW RELAY AND ADAPTER HARNESS</b> Includes New Standard Type Relay And Adapter To Mate To Factory Harness	\$40.00	
39440	1969	<b>POWER WINDOW RELAY AND ADAPTER HARNESS</b> Includes New Standard Type Relay And Adapter To Mate To Factory Harness	\$40.00	
39440	1970	<b>POWER WINDOW RELAY AND ADAPTER HARNESS</b> Includes New Standard Type Relay And Adapter To Mate To Factory Harness	\$40.00	
39440	1971	<b>POWER WINDOW RELAY AND ADAPTER HARNESS</b> Includes New Standard Type Relay And Adapter To Mate To Factory Harness	\$40.00	
<b>POWER WINDOW SWITCH</b>				
04432790	1964	<b>POWER WINDOW SWITCH</b> 1 Button, Round Corner Style, Chrome	\$49.00	
04432791	1964	<b>POWER WINDOW SWITCH</b> 4 Button, Round Corner Style, Chrome	\$67.00	
04432790	1965	<b>POWER WINDOW SWITCH</b> 1 Button, Round Corner Style, Chrome	\$49.00	
04432791	1965	<b>POWER WINDOW SWITCH</b> 4 Button, Round Corner Style, Chrome	\$67.00	
04432790	1966	<b>POWER WINDOW SWITCH</b> 1 Button, Round Corner Style, Chrome	\$49.00	
04432791	1966	<b>POWER WINDOW SWITCH</b> 4 Button, Round Corner Style, Chrome	\$67.00	

Part Number	Year	Description	Price	*Rev.
04432790	1967	<b>POWER WINDOW SWITCH</b> 1 Button, Round Corner Style, Chrome	\$49.00	
04432791	1967	<b>POWER WINDOW SWITCH</b> 4 Button, Round Corner Style, Chrome	\$67.00	
04432790	1968	<b>POWER WINDOW SWITCH</b> 1 Button, Round Corner Style, Chrome	\$49.00	
04432791	1968	<b>POWER WINDOW SWITCH</b> 4 Button, Round Corner Style, Chrome	\$67.00	
04432790	1969	<b>POWER WINDOW SWITCH</b> 1 Button, Round Corner Style, Chrome	\$49.00	
04432791	1969	<b>POWER WINDOW SWITCH</b> 4 Button, Round Corner Style, Chrome	\$67.00	
04432790	1970	<b>POWER WINDOW SWITCH</b> 1 Button, Round Corner Style, Chrome	\$49.00	
04432791	1970	<b>POWER WINDOW SWITCH</b> 4 Button, Round Corner Style, Chrome	\$67.00	
01725094	1976	<b>POWER WINDOW SWITCH</b> Catalina, Bonneville, 1 Button, Square Corner Style, Chrome	\$21.00	M
01725094	1977	<b>POWER WINDOW SWITCH</b> Catalina, Bonneville, 1 Button, Square Corner Style, Chrome	\$21.00	M
01725094	1978	<b>POWER WINDOW SWITCH</b> Catalina, Bonneville, 1 Button, Square Corner Style, Chrome	\$21.00	M
01725094	1979	<b>POWER WINDOW SWITCH</b> Catalina, Bonneville, 1 Button, Square Corner Style, Chrome	\$21.00	M
01731231	1976	<b>POWER WINDOW SWITCH</b> Catalina, Without Custom Trim, 4 Button, Square Corner Style, Chrome	\$75.00	M
01731231	1977	<b>POWER WINDOW SWITCH</b> Catalina, 4 Button, Square Corner Style, Chrome	\$75.00	M
01731231	1978	<b>POWER WINDOW SWITCH</b> Catalina, 4 Button, Square Corner Style, Chrome	\$75.00	M
01731231	1979	<b>POWER WINDOW SWITCH</b> Catalina, 4 Button, Square Corner Style, Chrome	\$75.00	M
01725092	1977	<b>POWER WINDOW SWITCH</b> Catalina, 2 Button, Square Corner Style, Chrome	\$53.00	M
01725092	1978	<b>POWER WINDOW SWITCH</b> Catalina, 2 Button, Square Corner Style, Chrome	\$53.00	M
01725092	1979	<b>POWER WINDOW SWITCH</b> Catalina, 2 Button, Square Corner Style, Chrome	\$53.00	M
20061549	1982	<b>POWER WINDOW SWITCH</b> 2-Button, Without Custom Door Panels (Option Codes Yt1 Or Yt3)	\$14.00	N
20061549	1983	<b>POWER WINDOW SWITCH</b> 2-Button, Without Custom Door Panels (Option Codes Yt1 Or Yt3)	\$14.00	N
20061549	1984	<b>POWER WINDOW SWITCH</b> 2-Button, Without Custom Door Panels (Option Codes Yt1 Or Yt3)	\$14.00	N
20061549	1985	<b>POWER WINDOW SWITCH</b> 2-Button, Without Custom Door Panels (Option Codes Yt1 Or Yt3)	\$14.00	N
20061549	1986	<b>POWER WINDOW SWITCH</b> 2-Button, Without Custom Door Panels (Option Codes Yt1 Or Yt3)	\$14.00	N
20061549	1987	<b>POWER WINDOW SWITCH</b> 2-Button, Without Custom Door Panels (Option Codes Yt1 Or Yt3)	\$14.00	N
<b>REAR LAMP HARNESS</b>				
06500	1963	<b>REAR LAMP INTERMEDIATE HARNESS</b> Grand Prix	\$180.00	
08980	1963	<b>REAR LAMP HARNESS</b> Grand Prix, Rear Panel	\$173.00	
06500	1964	<b>REAR LAMP INTERMEDIATE HARNESS</b> Grand Prix	\$180.00	
06840	1964	<b>REAR LAMP HARNESS</b> Grand Prix, Rear Panel	\$180.00	
<b>SPEAKER HARNESS</b>				
33345	1978	<b>SPEAKER HARNESS</b> Front Stereo Speakers	\$48.00	
<b>SPEED WARNING HARNESS</b>				
43264	1963	<b>SPEED WARNING HARNESS</b>	\$56.00	
43264	1964	<b>SPEED WARNING HARNESS</b>	\$56.00	
09560	1966	<b>SPEED WARNING HARNESS</b>	\$41.00	
09560	1967	<b>SPEED WARNING HARNESS</b>	\$41.00	
09560	1968	<b>SPEED WARNING HARNESS</b>	\$41.00	
13500	1969	<b>SPEED WARNING HARNESS</b>	\$27.00	
13645	1970	<b>SPEED WARNING HARNESS</b>	\$27.00	

Part Number	Year	Description	Price	*Rev.
<b>TACHOMETER HARNESS</b>				
04000	1962	TACHOMETER HARNESS	\$59.00	
04250	1963	TACHOMETER HARNESS	\$59.00	
04320	1963	TACHOMETER HARNESS With Transistorized Ignition	\$72.00	
04605	1964	TACHOMETER HARNESS	\$59.00	
04610	1964	TACHOMETER HARNESS With Transistorized Ignition	\$72.00	
06245	1965	TACHOMETER HARNESS	\$59.00	
06250	1965	TACHOMETER HARNESS With Transistorized Ignition	\$72.00	
06245	1966	TACHOMETER HARNESS	\$59.00	
10050	1966	TACHOMETER HARNESS With Transistorized Ignition	\$72.00	
11040	1967	TACHOMETER HARNESS Hood Mounted	\$52.00	
11040	1968	TACHOMETER HARNESS Hood Mounted	\$52.00	
<b>TRANSISTOR IGNITION HARNESS</b>				
36003	1963	TRANSISTOR IGNITION EXTENSION HARNESS Used With GM Part# 1115008 Amplifier Control Unit	\$60.00	
36002	1963	TRANSISTOR IGNITION HARNESS	\$147.00	
33225	1964	TRANSISTOR IGNITION AMPLIFIER EXTENSION From Internal Circuit Board To Amplifier Housing Connector	\$53.00	
28380	1964	TRANSISTOR IGNITION EXTENSION HARNESS	\$74.00	
35941	1964	TRANSISTOR IGNITION HARNESS	\$159.00	
36838	1965	TRANSISTOR IGNITION HARNESS	\$198.00	
36837	1966	TRANSISTOR IGNITION HARNESS	\$198.00	
<b>TRANSISTOR IGNITION REPLACEMENT MODULE</b>				
32270	1963	TRANSISTOR IGNITION REPLACEMENT MODULE Replaces Original Circuit Board In Amplifier	\$189.00	
32270	1964	TRANSISTOR IGNITION REPLACEMENT MODULE Replaces Original Circuit Board In Amplifier	\$189.00	
32270	1965	TRANSISTOR IGNITION REPLACEMENT MODULE Replaces Original Circuit Board In Amplifier	\$189.00	
32270	1966	TRANSISTOR IGNITION REPLACEMENT MODULE Replaces Original Circuit Board In Amplifier	\$189.00	
<b>TRUNK LAMP EXTENSION HARNESS</b>				
13440	1969	TRUNK LAMP EXTENSION HARNESS Grand Prix, Coupe	\$26.00	
36239	1971	TRUNK LAMP EXTENSION WIRE Trunk Lamp To Rear Lamp Harness Connector	\$25.00	
36239	1972	TRUNK LAMP EXTENSION WIRE Trunk Lamp To Rear Lamp Harness Connector	\$25.00	
<b>TRUNK RELEASE HARNESS</b>				
14570	1970	TRUNK RELEASE HARNESS For Electric Trunk Lid Release, Except Grand Prix	\$48.00	
<b>TURN SIGNAL LEVER WIPER SWITCH</b>				
22510733	1982	TURN SIGNAL LEVER WIPER SWITCH Grand Prix, Black, With Pulse Wipers, Without Cruise Control	\$20.00	N
22510732	1982	TURN SIGNAL LEVER WIPER SWITCH Grand Prix, Black, Without Pulse Wipers, Without Cruise Control	\$20.00	N
22510144	1982	TURN SIGNAL LEVER WIPER SWITCH Grand Prix, Chrome, With Pulse Wipers, Without Cruise Control	\$20.00	N
22510733	1983	TURN SIGNAL LEVER WIPER SWITCH Grand Prix, Black, With Pulse Wipers, Without Cruise Control	\$20.00	N
22510732	1983	TURN SIGNAL LEVER WIPER SWITCH Grand Prix, Black, Without Pulse Wipers, Without Cruise Control	\$20.00	N
22510144	1983	TURN SIGNAL LEVER WIPER SWITCH Grand Prix, Chrome, With Pulse Wipers, Without Cruise Control	\$20.00	N
22510733	1984	TURN SIGNAL LEVER WIPER SWITCH All, Black, With Pulse Wipers, Without Cruise Control	\$20.00	N
22510732	1984	TURN SIGNAL LEVER WIPER SWITCH All, Black, Without Pulse Wipers, Without Cruise Control	\$20.00	N
22510144	1984	TURN SIGNAL LEVER WIPER SWITCH All, Chrome, With Pulse Wipers, Without Cruise Control	\$20.00	N
22510733	1985	TURN SIGNAL LEVER WIPER SWITCH All, Black, With Pulse Wipers, Without Cruise Control	\$20.00	N
22510732	1985	TURN SIGNAL LEVER WIPER SWITCH All, Black, Without Pulse Wipers, Without Cruise Control	\$20.00	N
22510144	1985	TURN SIGNAL LEVER WIPER SWITCH All, Chrome, With Pulse Wipers, Without Cruise Control	\$20.00	N
22510733	1986	TURN SIGNAL LEVER WIPER SWITCH All, Black, With Pulse Wipers, Without Cruise Control	\$20.00	N
22510732	1986	TURN SIGNAL LEVER WIPER SWITCH All, Black, Without Pulse Wipers, Without Cruise Control	\$20.00	N

Part Number	Year	Description	Price	*Rev.
22510144	1986	<b>TURN SIGNAL LEVER WIPER SWITCH</b> All, Chrome, With Pulse Wipers, Without Cruise Control	\$20.00	N
22510733	1987	<b>TURN SIGNAL LEVER WIPER SWITCH</b> All, Black, With Pulse Wipers, Without Cruise Control	\$20.00	N
22510732	1987	<b>TURN SIGNAL LEVER WIPER SWITCH</b> All, Black, Without Pulse Wipers, Without Cruise Control	\$20.00	N
22510144	1987	<b>TURN SIGNAL LEVER WIPER SWITCH</b> All, Chrome, With Pulse Wipers, Without Cruise Control	\$20.00	N
22510144	1988	<b>TURN SIGNAL LEVER WIPER SWITCH</b> All, Chrome, With Pulse Wipers, Without Cruise Control	\$20.00	N
22510144	1989	<b>TURN SIGNAL LEVER WIPER SWITCH</b> All, Chrome, With Pulse Wipers, Without Cruise Control	\$20.00	N
<b>TURN SIGNAL SWITCH</b>				
01993624	1965	<b>TURN SIGNAL SWITCH</b> With Tilt, Replaces Delco Part# D6220	\$71.00	
01993624	1966	<b>TURN SIGNAL SWITCH</b> With Tilt, Replaces Delco Part# D6220	\$71.00	
07800482	1967	<b>TURN SIGNAL SWITCH</b> All, Except Column Shift A/T, Without Cornering Lights, (Delco Type, White) Note: Emergency Flasher Actuator Hole In Outer Cover Is Shaped Like A Doghouse.	\$50.00	
01893592	1967	<b>TURN SIGNAL SWITCH</b> Without Cornering Lights (Delco-White), Replaces Delco Part# D6211 Note: This Is A Service Part, Adapter Pigtail Included And Is Required For Some Applications.	\$58.00	
05698897	1967	<b>TURN SIGNAL SWITCH</b> With Column Shift A/T, Without Tilt, Without Cornering Lamps (Delco Type, Black, White Or Green) Note: Emergency Flasher Actuator Hole In Outer Cover Is Shaped Like A Doghouse.	\$50.00	
05698897	1967	<b>TURN SIGNAL SWITCH</b> With Column Shift A/T, With Tilt, Without Cornering Lamps (Delco Type, Black, White Or Green) Note: Emergency Flasher Actuator Hole In Outer Cover Is Shaped Like A Doghouse.	\$50.00	
07800482	1968	<b>TURN SIGNAL SWITCH</b> All, Except Column Shift A/T, Without Cornering Lights, (Delco Type, White) Note: Emergency Flasher Actuator Hole In Outer Cover Is Shaped Like A Doghouse.	\$50.00	
01893592	1968	<b>TURN SIGNAL SWITCH</b> Without Cornering Lights (Delco-White), Replaces Delco Part# D6211 Note: This Is A Service Part, Adapter Pigtail Included And Is Required For Some Applications.	\$58.00	
05698897	1968	<b>TURN SIGNAL SWITCH</b> Column Shift A/T, Without Tilt, Without Cornering Lamps (Delco Type, Black, White Or Green) Note: Emergency Flasher Actuator Hole In Outer Cover Is Shaped Like A Doghouse.	\$50.00	
05698897	1968	<b>TURN SIGNAL SWITCH</b> Column Shift A/T, With Tilt, Without Cornering Lamps (Delco Type, Black, White Or Green) Note: Emergency Flasher Actuator Hole In Outer Cover Is Shaped Like A Doghouse.	\$50.00	
01997963	1969	<b>TURN SIGNAL SWITCH, CORRECT PART</b> Without Cornering Lights Note: Correct Part, No Adapter Pigtail Required.	\$41.00	
01893588	1969	<b>TURN SIGNAL SWITCH, SERVICE PART</b> Without Cornering Lights, Replaces Delco Part# D6208 Note: This Is A Service Part, Adapter Pigtail Included Is Required For Installation.	\$58.00	
01997963	1970	<b>TURN SIGNAL SWITCH, CORRECT PART</b> Without Cornering Lights, Without Tilt Note: Correct Part, No Adapter Pigtail Required.	\$41.00	
01893588	1970	<b>TURN SIGNAL SWITCH, SERVICE PART</b> Without Cornering Lights, Without Tilt, Replaces Delco Part# D6208 Note: This Is A Service Part, Adapter Pigtail Included Is Required For Installation.	\$58.00	
01997963	1971	<b>TURN SIGNAL SWITCH, CORRECT PART</b> Without Cornering Lights Note: Correct Part, No Adapter Pigtail Required.	\$41.00	
01893588	1971	<b>TURN SIGNAL SWITCH, SERVICE PART</b> Without Cornering Lights, Replaces Delco Part# D6208 Note: This Is A Service Part, Adapter Pigtail Included Is Required For Installation.	\$58.00	
01997963	1972	<b>TURN SIGNAL SWITCH, CORRECT PART</b> Without Cornering Lights Note: Correct Part, No Adapter Pigtail Required.	\$41.00	
01893588	1972	<b>TURN SIGNAL SWITCH, SERVICE PART</b> Without Cornering Lights Note: This Is A Service Part, Adapter Pigtail Included Is Required For Installation.	\$58.00	

Part Number	Year	Description	Price	*Rev.
<b>VACUUM GAUGE LAMP HARNESS</b>				
06185	1965	VACUUM GAUGE LAMP HARNESS Dash Harness To Vacuum Gauge	\$26.00	
<b>WINDSHIELD WIPER SWITCH</b>				
01998719	1959	WINDSHIELD WIPER SWITCH Single Speed, With Washer	\$52.00	
01998719	1960	WINDSHIELD WIPER SWITCH Single Speed, With Washer	\$52.00	
01998719	1961	WINDSHIELD WIPER SWITCH Single Speed, With Washer	\$52.00	
01998719	1962	WINDSHIELD WIPER SWITCH Single Speed, With Washer	\$52.00	
01993592	1963	WINDSHIELD WIPER SWITCH Single Speed, With Washer Note: Once our current stock runs out, this item will be discontinued.	\$52.00	
01993541	1964	WINDSHIELD WIPER SWITCH Single Speed, With Washer	\$45.00	
01993687	1965	WINDSHIELD WIPER SWITCH Single Speed, With Washer	\$54.00	
01993371	1967	WINDSHIELD WIPER SWITCH With Washer	\$65.00	
01993371	1968	WINDSHIELD WIPER SWITCH With Washer	\$65.00	
<b>WIRING JUNCTION BLOCK</b>				
01865535	1939	WIRING JUNCTION BLOCK 3-Terminal, Headlamp Wire Junction	\$12.00	N
01998756	1939	WIRING JUNCTION BLOCK 4-Terminal, Headlamp Wire Junction	\$13.00	N
01998757	1939	WIRING JUNCTION BLOCK 5-Terminal, Headlamp Wire Junction	\$19.00	N
01865535	1940	WIRING JUNCTION BLOCK 3-Terminal, Headlamp Wire Junction	\$12.00	N
01998756	1940	WIRING JUNCTION BLOCK 4-Terminal, Headlamp Wire Junction	\$13.00	N
01998757	1940	WIRING JUNCTION BLOCK 5-Terminal, Headlamp Wire Junction	\$19.00	N
01865535	1941	WIRING JUNCTION BLOCK 3-Terminal, Headlamp Wire Junction	\$12.00	N
01998756	1941	WIRING JUNCTION BLOCK 4-Terminal, Headlamp Wire Junction	\$13.00	N
01998757	1941	WIRING JUNCTION BLOCK 5-Terminal, Headlamp Wire Junction	\$19.00	N
01865535	1942	WIRING JUNCTION BLOCK 3-Terminal, Headlamp Wire Junction	\$12.00	N
01998756	1942	WIRING JUNCTION BLOCK 4-Terminal, Headlamp Wire Junction	\$13.00	N
01998757	1942	WIRING JUNCTION BLOCK 5-Terminal, Headlamp Wire Junction	\$19.00	N
01865535	1943	WIRING JUNCTION BLOCK 3-Terminal, Headlamp Wire Junction	\$12.00	N
01998756	1943	WIRING JUNCTION BLOCK 4-Terminal, Headlamp Wire Junction	\$13.00	N
01998757	1943	WIRING JUNCTION BLOCK 5-Terminal, Headlamp Wire Junction	\$19.00	N
01865535	1944	WIRING JUNCTION BLOCK 3-Terminal, Headlamp Wire Junction	\$12.00	N
01998756	1944	WIRING JUNCTION BLOCK 4-Terminal, Headlamp Wire Junction	\$13.00	N
01998757	1944	WIRING JUNCTION BLOCK 5-Terminal, Headlamp Wire Junction	\$19.00	N
01865535	1945	WIRING JUNCTION BLOCK 3-Terminal, Headlamp Wire Junction	\$12.00	N
01998756	1945	WIRING JUNCTION BLOCK 4-Terminal, Headlamp Wire Junction	\$13.00	N
01998757	1945	WIRING JUNCTION BLOCK 5-Terminal, Headlamp Wire Junction	\$19.00	N
01865535	1946	WIRING JUNCTION BLOCK 3-Terminal, Headlamp Wire Junction	\$12.00	N
01998756	1946	WIRING JUNCTION BLOCK 4-Terminal, Headlamp Wire Junction	\$13.00	N
01998757	1946	WIRING JUNCTION BLOCK 5-Terminal, Headlamp Wire Junction	\$19.00	N
01865535	1947	WIRING JUNCTION BLOCK 3-Terminal, Headlamp Wire Junction	\$12.00	N
01998756	1947	WIRING JUNCTION BLOCK 4-Terminal, Headlamp Wire Junction	\$13.00	N
01998757	1947	WIRING JUNCTION BLOCK 5-Terminal, Headlamp Wire Junction	\$19.00	N
01865535	1948	WIRING JUNCTION BLOCK 3-Terminal, Headlamp Wire Junction	\$12.00	N
01998756	1948	WIRING JUNCTION BLOCK 4-Terminal, Headlamp Wire Junction	\$13.00	N
01998757	1948	WIRING JUNCTION BLOCK 5-Terminal, Headlamp Wire Junction	\$19.00	N
01865535	1949	WIRING JUNCTION BLOCK 3-Terminal, Headlamp Wire Junction	\$12.00	N
01998756	1949	WIRING JUNCTION BLOCK 4-Terminal, Headlamp Wire Junction	\$13.00	N

**Pontiac Fullsize  
Grand Prix**



**Phone (562) 926-9552  
Fax (562) 926-9572**

Part Number	Year	Description	Price	*Rev.
01998757	1949	<b>WIRING JUNCTION BLOCK</b> 5-Terminal, Headlamp Wire Junction	\$19.00	N
01865535	1950	<b>WIRING JUNCTION BLOCK</b> 3-Terminal, Headlamp Wire Junction	\$12.00	N
01998756	1950	<b>WIRING JUNCTION BLOCK</b> 4-Terminal, Headlamp Wire Junction	\$13.00	N
01998757	1950	<b>WIRING JUNCTION BLOCK</b> 5-Terminal, Headlamp Wire Junction	\$19.00	N
01865535	1951	<b>WIRING JUNCTION BLOCK</b> 3-Terminal, Headlamp Wire Junction	\$12.00	N
01998756	1951	<b>WIRING JUNCTION BLOCK</b> 4-Terminal, Headlamp Wire Junction	\$13.00	N
01998757	1951	<b>WIRING JUNCTION BLOCK</b> 5-Terminal, Headlamp Wire Junction	\$19.00	N
01865535	1952	<b>WIRING JUNCTION BLOCK</b> 3-Terminal, Headlamp Wire Junction	\$12.00	N
01998756	1952	<b>WIRING JUNCTION BLOCK</b> 4-Terminal, Headlamp Wire Junction	\$13.00	N
01998757	1952	<b>WIRING JUNCTION BLOCK</b> 5-Terminal, Headlamp Wire Junction	\$19.00	N
01865535	1953	<b>WIRING JUNCTION BLOCK</b> 3-Terminal, Headlamp Wire Junction	\$12.00	N
01998756	1953	<b>WIRING JUNCTION BLOCK</b> 4-Terminal, Headlamp Wire Junction	\$13.00	N
01998757	1953	<b>WIRING JUNCTION BLOCK</b> 5-Terminal, Headlamp Wire Junction	\$19.00	N
01865535	1954	<b>WIRING JUNCTION BLOCK</b> 3-Terminal, Headlamp Wire Junction	\$12.00	N
01998756	1954	<b>WIRING JUNCTION BLOCK</b> 4-Terminal, Headlamp Wire Junction	\$13.00	N
01998757	1954	<b>WIRING JUNCTION BLOCK</b> 5-Terminal, Headlamp Wire Junction	\$19.00	N